



US00D916348S

(12) **United States Design Patent** (10) **Patent No.:** **US D916,348 S**  
**Clark** (45) **Date of Patent:** **\*\* Apr. 13, 2021**

(54) **LIGHT-WEIGHT LIGHTING FIXTURE**

(71) Applicant: **3form, LLC**, Salt Lake City, UT (US)

(72) Inventor: **Bruce Clark**, Redmond, WA (US)

(73) Assignee: **3FORM, LLC**, Salt Lake City, UT (US)

(\*\*) Term: **15 Years**

(21) Appl. No.: **29/647,681**

(22) Filed: **May 15, 2018**

**Related U.S. Application Data**

(63) Continuation of application No. 15/902,731, filed on Feb. 22, 2018, now Pat. No. 10,889,987, which is a continuation of application No. 29/560,681, filed on Apr. 8, 2016, now Pat. No. Des. 819,860, which is a continuation-in-part of application No. 14/646,232,  
(Continued)

(51) **LOC (13) Cl.** ..... **26-05**

(52) **U.S. Cl.**  
USPC ..... **D26/72**

(58) **Field of Classification Search**  
USPC ..... D26/28, 35, 72, 74-76, 79-81, 83, 85, D26/86, 88-91, 118-122  
CPC ..... F21S 8/02; F21S 8/03; F21S 8/04; F21S 8/06; F21S 8/033; F21S 8/036; F21S 8/043;  
(Continued)

(56) **References Cited**

**U.S. PATENT DOCUMENTS**

D97,213 S 11/1869 Stone  
D101,033 S 3/1870 Glatthar et al.  
(Continued)

**FOREIGN PATENT DOCUMENTS**

DE 2349401 4/1975  
DE 102008026504 12/2009  
(Continued)

**OTHER PUBLICATIONS**

Mounted Lighting LED Linear Trunking Light (available online)  
Retrieved from the internet Sep. 27, 2018 from URL: [https://hkenrich.en.made-in-china.com/productimage/JNrxIIEKuYha-2flj00gaYGPSmBbqoC/China-3-Years-Warranty-Ceiling-Mounted-Lighting-LED-Linear-Trunking-L.\\*](https://hkenrich.en.made-in-china.com/productimage/JNrxIIEKuYha-2flj00gaYGPSmBbqoC/China-3-Years-Warranty-Ceiling-Mounted-Lighting-LED-Linear-Trunking-L.*)

(Continued)

*Primary Examiner* — Kevin K Rudzinski

*Assistant Examiner* — Richard Kearney

(74) *Attorney, Agent, or Firm* — Workman Nydegger

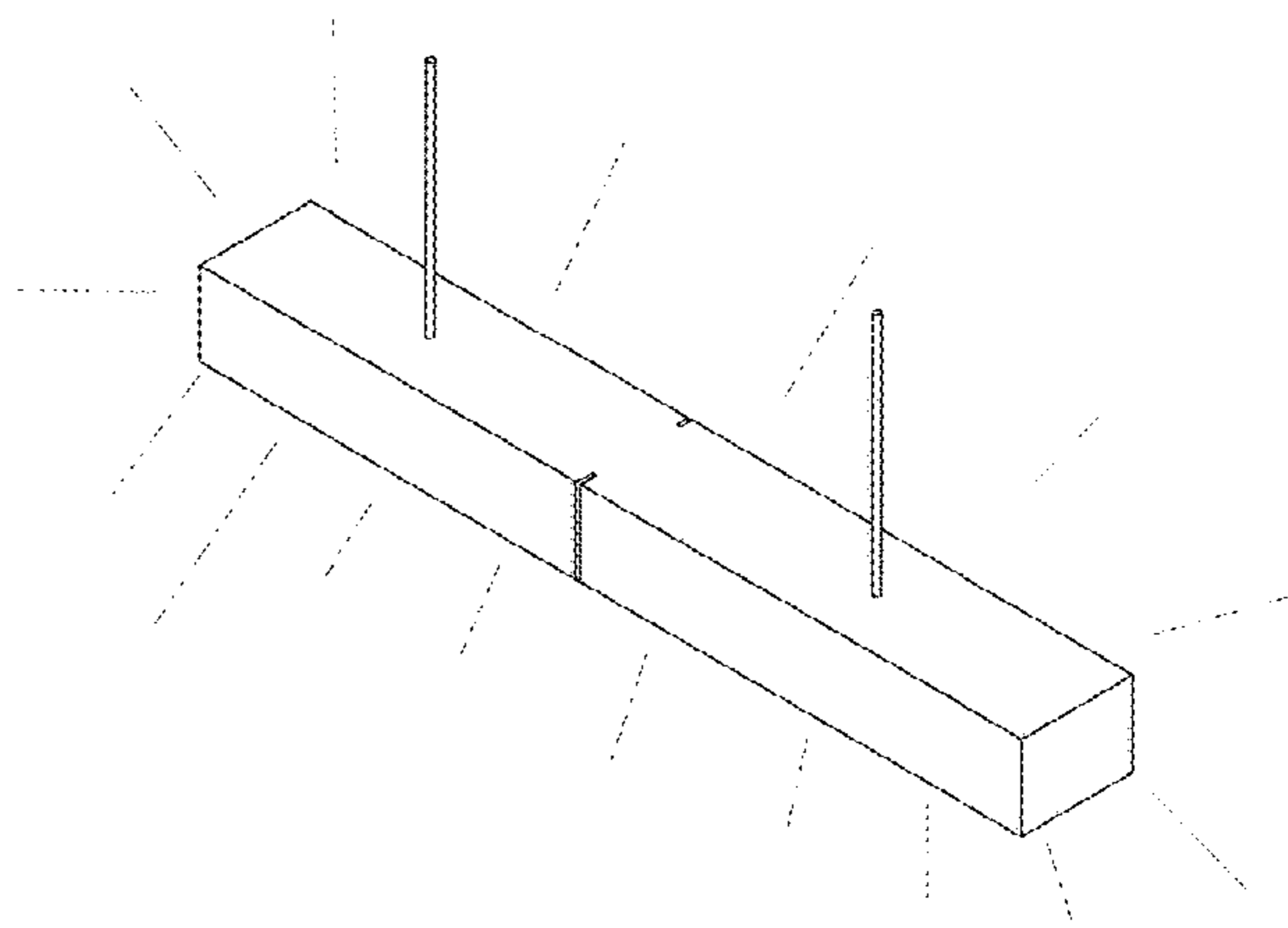
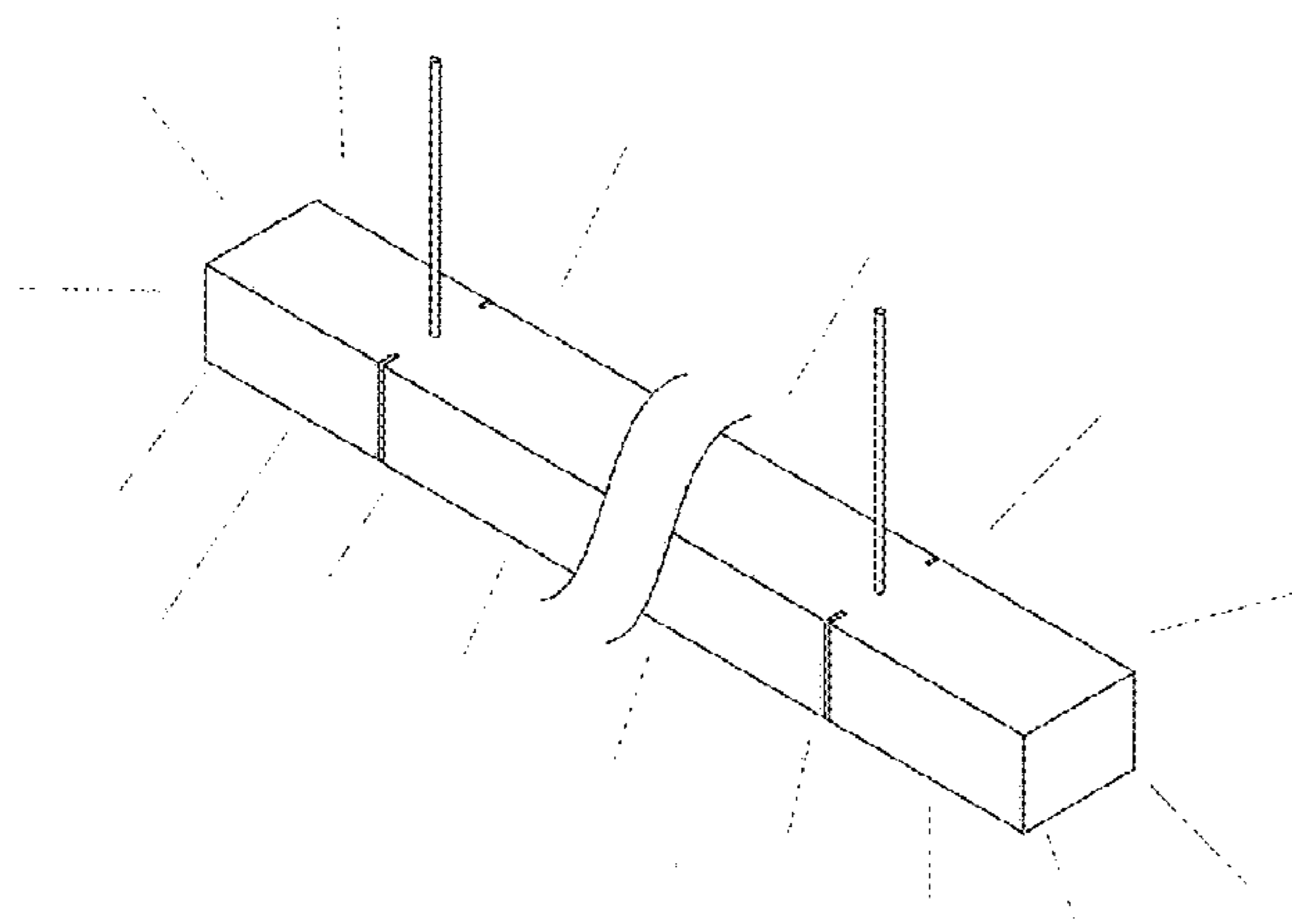
(57) **CLAIM**

The ornamental design for a light-weight lighting fixture, as shown and described.

**DESCRIPTION**

FIG. 1 is a front perspective view of a light-weight lighting fixture showing my design;  
FIG. 2 is a front elevation view thereof;  
FIG. 3 is a rear elevation view thereof;  
FIG. 4 is a left side elevation view thereof;  
FIG. 5 is a right side elevation view thereof;  
FIG. 6 is a top plan view thereof;  
FIG. 7 is a rotated, back facing view thereof;  
FIG. 8 is a front perspective view of an alternative embodiment of the light-weight lighting fixture;  
FIG. 9 is a front elevation view thereof;  
FIG. 10 is a rear elevation view thereof;  
FIG. 11 is a left side elevation view thereof;  
FIG. 12 is a right side elevation view thereof;  
FIG. 13 is a top plan view thereof; and,  
FIG. 14 is a bottom plan view thereof.  
The broken lines depict portions of the light-weight lighting fixture that form no part of the claimed design. The light-weight lighting fixture in FIG. 1-7 is shown with break lines in its length. The appearance of any portion of the article between the break lines forms no part of the claimed invention.

**1 Claim, 4 Drawing Sheets**



**Related U.S. Application Data**

filed as application No. PCT/US2013/070236 on Nov. 15, 2013, now Pat. No. 9,644,820, said application No. 29/560,681 is a continuation-in-part of application No. 14/767,890, filed as application No. PCT/US2015/033014 on May 28, 2015, now abandoned, said application No. 29/560,681 is a continuation-in-part of application No. 14/912,396, filed as application No. PCT/US2014/065816 on Nov. 14, 2014, now Pat. No. 10,072,827.

(58) **Field of Classification Search**

CPC ..... F21S 4/20; F21S 4/28; F21S 9/00; F21S 10/00; F21S 10/26; F21V 21/02  
See application file for complete search history.

(56) **References Cited**

U.S. PATENT DOCUMENTS

D101,034	S	3/1870	Glatthar et al.
D136,518	S	3/1873	Hofstetter
D166,671	S	8/1875	Jernigan
1,335,513	A	3/1920	Link
1,335,613	A	3/1920	Cuno
1,963,218	A	6/1934	Wakefield
D123,049	S *	10/1940	Doane ..... 362/224
2,506,728	A	5/1950	McGrath
2,525,556	A	10/1950	Marchisio
2,715,449	A	8/1955	Lemmerman et al.
2,759,093	A	8/1956	Ferar et al.
2,951,001	A	8/1960	Rubenstein
3,367,581	A	2/1968	Kizilos et al.
3,385,963	A	5/1968	Washick
3,420,023	A	1/1969	Gregori
D232,257	S	7/1974	Paulson
D239,780	S	5/1976	Paulson
3,967,823	A	7/1976	Yount
D264,136	S	4/1982	Castiglioni
4,437,287	A	3/1984	Halfaker
4,555,114	A	11/1985	Dozier
4,716,671	A	1/1988	Gross
4,726,781	A	2/1988	Bernhart
4,738,066	A	4/1988	Reed
4,799,526	A	1/1989	Reeves
5,226,724	A	7/1993	Kanarek
D338,620	S	8/1993	Brozowski
5,282,600	A	2/1994	Weiss
D361,398	S	8/1995	Neall, III
5,532,073	A	7/1996	Hirata
5,532,912	A	7/1996	Bendit
5,658,066	A	8/1997	Hirsch
5,662,412	A	9/1997	Glendmyer
D387,459	S	12/1997	Cool
5,702,180	A	12/1997	Huang
D391,881	S	3/1998	Youseph
D392,119	S	3/1998	Montoya
5,758,588	A	6/1998	Orfali
D409,869	S	5/1999	Marusak
5,947,786	A	9/1999	Glick
D416,103	S	11/1999	Hashmi
5,989,015	A	11/1999	Guerin
6,025,549	A	2/2000	Harris
D431,187	S	9/2000	Davis
D432,868	S	10/2000	Tan
D438,858	S	3/2001	del Castillo
6,302,566	B1	10/2001	Cohon
6,341,880	B1	1/2002	Hsu
6,367,581	B1	4/2002	Marler et al.
D468,474	S	1/2003	Poulton
6,530,674	B2	3/2003	Grierson
D482,140	S	11/2003	Hughes et al.
D508,580	S	8/2005	Norris et al.
6,964,507	B2	11/2005	Mohacsi
6,984,055	B2	1/2006	McCarthy
D514,364	S	2/2006	Hsu

D523,328	S	6/2006	Ramos
D523,771	S	6/2006	Kwan
D525,384	S	7/2006	Waycaster
D525,738	S	7/2006	Waycaster
D536,468	S	2/2007	Crosby
D541,970	S	5/2007	Blackman
D544,006	S	6/2007	Pinchot
D553,788	S	10/2007	Holmes
D559,994	S	1/2008	Nagakubo
D566,320	S	4/2008	Kim
D566,882	S *	4/2008	Min ..... D26/90
D570,026	S *	5/2008	Waldmann ..... D26/76
7,380,957	B2	6/2008	Lanczy
7,431,489	B2	10/2008	Yeo et al.
D584,446	S	1/2009	Sabernig
D584,848	S *	1/2009	Menke ..... D26/76
7,504,159	B1	3/2009	Suare
D591,444	S	4/2009	Beno et al.
D592,793	S	5/2009	Chandler
D595,887	S *	7/2009	Blom ..... D26/51
D595,888	S	7/2009	Sabernig
D595,891	S	7/2009	Sabernig
D596,452	S	7/2009	Komorski
D599,037	S	8/2009	Henriquez
D599,945	S	9/2009	Pfund
D600,394	S	9/2009	Ambruster
D603,083	S	10/2009	Trumble
D605,333	S	12/2009	Miranda
D613,897	S *	4/2010	Thun ..... D26/76
D620,189	S	7/2010	Hill et al.
D621,989	S	8/2010	Proner
7,766,536	B2	8/2010	Peifer
7,789,544	B1	9/2010	Roach et al.
D626,278	S	10/2010	Sabernig
D628,218	S	11/2010	Tommassini
D629,553	S	12/2010	Gielen
D629,554	S *	12/2010	Gielen ..... D26/76
D630,365	S *	1/2011	Sabernig ..... D26/84
D632,004	S *	2/2011	Waldmann ..... D26/76
D641,520	S	7/2011	Grajcar
7,971,680	B2	7/2011	Morgan, III et al.
D650,509	S *	12/2011	Wegger ..... D26/90
D653,794	S	2/2012	Friedman
D654,703	S	2/2012	Lemay
D656,629	S	3/2012	Hauberg
D657,487	S *	4/2012	Sabernig ..... D26/84
D664,282	S	7/2012	Santoro et al.
D665,525	S	8/2012	Patterson
D666,354	S	8/2012	Bracher
D666,757	S	9/2012	Fisher et al.
D667,986	S	9/2012	Decq
D668,371	S	10/2012	Alpasian
D669,759	S	10/2012	Catilleja
8,287,146	B2	10/2012	Hysky
D671,676	S	11/2012	Komarov
D676,587	S	2/2013	Fisher
D676,996	S	2/2013	Gismondi
D677,423	S	3/2013	Reddy
D684,294	S	6/2013	Goodson
D684,307	S	6/2013	Teller
D686,363	S	7/2013	Smith
D687,589	S	8/2013	Wick
8,517,845	B2	8/2013	Shin
D689,647	S	9/2013	Brott et al.
D692,391	S	10/2013	Kim
D693,045	S	11/2013	Kirshhoffer et al.
8,613,526	B1	12/2013	Li et al.
D697,662	S	1/2014	Patterson
D698,983	S	2/2014	Rampolla
D700,732	S *	3/2014	Clark ..... D26/76
D702,390	S *	4/2014	Clark ..... D26/76
D702,391	S *	4/2014	Clark ..... D26/76
8,714,775	B2	5/2014	Bracher
D708,391	S	7/2014	Coury
D709,235	S	7/2014	Chu
RE45,162	E	9/2014	Hierzer
D716,486	S	10/2014	Martin
8,888,314	B2	11/2014	Gill
8,953,926	B1	2/2015	Kelly

(56)

References Cited

U.S. PATENT DOCUMENTS

8,967,823 B2 3/2015 D'Antonio  
D727,550 S \* 4/2015 Clark ..... D26/88  
D727,551 S 4/2015 Clark et al.  
D727,554 S \* 4/2015 Clark ..... D26/90  
D728,145 S 4/2015 Shiqiang  
9,004,713 B2 4/2015 Mandy et al.  
D729,437 S 5/2015 Hillstrom  
9,028,114 B2 5/2015 Smith  
9,147,390 B2 8/2015 Swinkels et al.  
D740,479 S 10/2015 Beno et al.  
D744,132 S 11/2015 Hollingworth  
9,194,124 B2 11/2015 Johnson et al.  
D745,206 S 12/2015 Clark  
D747,539 S 1/2016 Santoro et al.  
D751,237 S \* 3/2016 Ferrier ..... D26/90  
9,279,558 B2 3/2016 Gnasienco  
D760,420 S 6/2016 Tomlinson  
D761,478 S 7/2016 Ng  
D761,990 S 7/2016 Ng  
D761,991 S 7/2016 Clark  
D761,992 S 7/2016 Ng  
D764,095 S 8/2016 Clark  
9,404,646 B2 8/2016 Clark et al.  
9,406,594 B2 8/2016 Blakely et al.  
D766,536 S 9/2016 Karatas  
9,441,807 B2 9/2016 Smith  
D768,905 S 10/2016 Sonneman  
D768,906 S 10/2016 Sonneman  
9,459,399 B2 10/2016 Krijn et al.  
D773,098 S \* 11/2016 Czech ..... D26/76  
D773,099 S 11/2016 Sonneman  
D774,239 S 12/2016 Pardo  
D774,679 S \* 12/2016 Huyghe ..... D26/80  
D774,682 S 12/2016 Chen  
D776,855 S 1/2017 Rashid  
D780,364 S 2/2017 Czech et al.  
D780,976 S 3/2017 Czech et al.  
D783,197 S 4/2017 Arndt  
9,618,171 B2 4/2017 Sepkhanov et al.  
D786,481 S 5/2017 Wiedemer  
D786,483 S \* 5/2017 Sonneman ..... D26/90  
9,644,820 B2 5/2017 Clark  
D790,103 S 6/2017 Czech et al.  
9,683,721 B2 6/2017 Clark et al.  
D791,385 S 7/2017 Sonneman  
D791,401 S 7/2017 Sonneman  
D792,006 S 7/2017 Sonneman  
D792,632 S \* 7/2017 Amato ..... D26/90  
D792,633 S 7/2017 Sonneman  
D794,241 S \* 8/2017 Huyghe ..... D26/80  
D797,977 S 9/2017 Farzan  
D797,982 S 9/2017 Sonneman  
D799,097 S \* 10/2017 Sonneman ..... D26/85  
D800,368 S 10/2017 Czech et al.  
9,792,891 B2 10/2017 Swinkels et al.  
D802,819 S 11/2017 Czech et al.  
9,822,938 B2 11/2017 De Gier  
9,851,094 B2 12/2017 Gommans et al.  
D806,927 S 1/2018 Rashid  
D806,929 S 1/2018 Clark  
D810,993 S 2/2018 Genovese  
9,920,525 B1 3/2018 Underkofler et al.  
D817,537 S 5/2018 Clark  
9,964,692 B2 5/2018 SanFacon et al.  
D819,860 S 6/2018 Clark  
9,995,466 B2 6/2018 SanFacon et al.  
10,024,522 B2 7/2018 Clark et al.  
10,030,850 B2 7/2018 Vissenberg et al.  
D825,811 S 8/2018 Clark  
D826,450 S 8/2018 Clark  
D827,908 S \* 9/2018 Silver ..... D26/90  
D828,612 S 9/2018 Silver et al.  
D835,333 S 12/2018 Silver  
D836,238 S \* 12/2018 Ericson, Jr. .... D26/118  
10,151,454 B2 \* 12/2018 Farrell ..... F21V 15/015

D847,395 S 4/2019 Tremaine et al.  
10,274,664 B2 4/2019 Wang et al.  
D848,047 S \* 5/2019 Santoro ..... D26/74  
10,359,163 B1 7/2019 Hettwer et al.  
D858,853 S \* 9/2019 Anastassiades ..... D26/76  
D860,507 S \* 9/2019 Greenberg ..... D26/88  
D861,960 S 10/2019 Ng et al.  
D880,043 S 3/2020 Guerra et al.  
10,598,355 B2 3/2020 Ross et al.  
D880,754 S 4/2020 Ross et al.  
10,672,376 B1 6/2020 Pickens et al.  
D889,732 S 7/2020 Silver  
10,718,476 B2 7/2020 Santos et al.  
10,725,231 B2 7/2020 Ross et al.  
D896,429 S 9/2020 Velez  
10,782,005 B2 9/2020 Guerra et al.  
D898,979 S 10/2020 Silver  
D899,668 S 10/2020 Arni et al.  
2001/0046621 A1 11/2001 Colli  
2002/0071281 A1 6/2002 Dickson  
2004/0027830 A1 2/2004 Chen  
2004/0226230 A1 11/2004 Ritzer  
2006/0146531 A1 6/2006 Reo et al.  
2007/0058377 A1 3/2007 Zampini, II et al.  
2007/0247842 A1 10/2007 Zampini et al.  
2008/0266842 A1 10/2008 Skidmore et al.  
2008/0314944 A1 12/2008 Tsai  
2009/0126139 A1 5/2009 Batti et al.  
2010/0149791 A1 7/2010 McCane et al.  
2011/0170294 A1 7/2011 Mier-Langner  
2012/0081919 A1 4/2012 Parker  
2013/0016847 A1 1/2013 Steiner  
2013/0094225 A1 4/2013 Leichner  
2013/0148357 A1 6/2013 Johnston et al.  
2014/0009927 A1 \* 1/2014 Gnasienco ..... F21V 3/00  
362/224  
2014/0022759 A1 1/2014 Li  
2014/0024249 A1 1/2014 Adams et al.  
2014/0063803 A1 3/2014 Yaphe  
2014/0133150 A1 5/2014 Pardikes et al.  
2014/0153257 A1 6/2014 Smith  
2014/0198494 A1 7/2014 Chin  
2014/0334178 A1 11/2014 Zharov  
2015/0226384 A1 8/2015 Park  
2015/0300605 A1 10/2015 Clark  
2015/0300610 A1 10/2015 DeCarr et al.  
2016/0061429 A1 3/2016 Waalkes  
2016/0245488 A1 8/2016 Clark  
2016/0281940 A1 9/2016 Kim  
2017/0138561 A1 5/2017 Van Strander  
2017/0159928 A1 6/2017 Gommans et al.  
2017/0268752 A1 9/2017 Horvath et al.  
2017/0370098 A1 12/2017 Honji et al.  
2018/0127975 A1 5/2018 Gillette et al.  
2018/0180233 A1 6/2018 Mellor  
2018/0226003 A1 8/2018 Szekely  
2018/0245334 A1 8/2018 Udagawa et al.  
2018/0266668 A1 \* 9/2018 Myers ..... F21S 8/04  
2018/0267228 A1 9/2018 Epstein et al.  
2018/0334804 A1 11/2018 Patterson  
2018/0336875 A1 11/2018 Patterson et al.  
2019/0017260 A1 1/2019 Bou Harb et al.  
2019/0035376 A1 1/2019 Pilaar  
2019/0041570 A1 2/2019 Yeo et al.  
2019/0088241 A1 3/2019 Czech et al.  
2019/0096954 A1 \* 3/2019 Crompvoets ..... H01L 25/0753  
2019/0106883 A1 4/2019 Moore et al.  
2019/0162369 A1 \* 5/2019 Sonneman ..... F21K 9/237  
2019/0186132 A1 6/2019 Knoblauch et al.  
2019/0234595 A1 \* 8/2019 Beland ..... F21S 8/04  
2019/0309937 A1 10/2019 Chen et al.  
2020/0011056 A1 1/2020 Patterson  
2020/0053967 A1 2/2020 Murphy

FOREIGN PATENT DOCUMENTS

DE 202009013052 3/2011  
DE 102010110575 5/2014  
EP 2375151 10/2011

(56)

## References Cited

## FOREIGN PATENT DOCUMENTS

EP	2813630	5/2013
EP	2864559	4/2015
EP	2990559	3/2016
GB	2556679	6/2018
JP	2003217332	7/2003
JP	2011159472	8/2011
KR	2020100007653	7/2010
KR	2020120007760	11/2012
KR	101454180	10/2014
WO	2013006790	1/2013
WO	2013058961	4/2013
WO	20131190447 A2	12/2013
WO	2014/073907 A1	5/2014
WO	2014081621	5/2014
WO	2014/184156 A1	11/2014
WO	2015073907	5/2015
WO	2015184156	12/2015

## OTHER PUBLICATIONS

Mumu LED Linear Suspension Pendant Light (available online) Retrieved from the internet Sep. 27, 2018 from URL: [https://www.ylighting.com/mumu-led-linear-suspension-pendant-light-by-seed-design-SEDP149479.html#cgid=%0AYLLIG9%0A&&tileIndex=14.\\*](https://www.ylighting.com/mumu-led-linear-suspension-pendant-light-by-seed-design-SEDP149479.html#cgid=%0AYLLIG9%0A&&tileIndex=14.*)

White Hanging Lamp (available May 15, 2014) Retrieved Oct. 29, 2019 from URL: [https://www.tineye.com/search/35381e6751046292c6cf07131bcc7d37a42e0fa7?page=1.\\*](https://www.tineye.com/search/35381e6751046292c6cf07131bcc7d37a42e0fa7?page=1.*)

Artemide Edge 30® Pendant Light (available Apr. 24, 2015) Retrieved Oct. 29, 2019 from URL: [https://web.archive.org/web/20150424054229/https://www.stardust.com/EDGE30.html.\\*](https://web.archive.org/web/20150424054229/https://www.stardust.com/EDGE30.html.*)

Cube LED Lamp (available Sep. 19, 2011) Retrieved Oct. 29, 2019 from URL: [https://www.amazon.com/SMART-GREEN-814495012024-Cube-Lamp/dp/B005O0PG10.\\*](https://www.amazon.com/SMART-GREEN-814495012024-Cube-Lamp/dp/B005O0PG10.*)

Office Action in U.S. Appl. No. 29/560,673 dated May 10, 2017. Light art (available online Oct. 21, 2013) Retrieved from the Internet Mar. 16, 2017, retrieved from the Internet URL: [www.youtube.com](http://www.youtube.com) (search "Lightart.com").

Tin eye reference (available online Oct. 8, 2014) Retrieved from the internet Mar. 23, 2017, retrieved from the internet URL: <https://tineye.com/search/cb9bd08581564e1b2247fa8b78f73b92f57cc422/> Reference internet site URL: <https://architonic.com/en/product/henge-light-ring-medium/1149533>.

Ring shade 32 LED Pendant (available online Mar. 28, 2015) Retrieved from the internet Apr. 8, 2017, retrieved from the internet URL: <https://web-beta.archive.org/web/20150328234600/http://www.sonnemanawayofflight.com/ringshade32ledpendant-p-922.html>.

Light In The Box (available online Dec. 30, 2014) Retrieved from the internet Mar. 16, 2017, retrieved from the Internet URL: [https://www.amazon.com/LightInTheBox-RingHome-Chandeliers-Lighting-110-120V/dp/B00RL1N79W/ref=pd\\_bxgy\\_60\\_img\\_3?encoding=UTF8&pd\\_rd\\_i=B00RL1N79W&pd\\_rd\\_r=0K15VB464BCF6J7RV59C&pd\\_rd\\_w=3rhz3&pd\\_rd\\_wg=r7IJv&psc=1&refRID=0K15VB4](https://www.amazon.com/LightInTheBox-RingHome-Chandeliers-Lighting-110-120V/dp/B00RL1N79W/ref=pd_bxgy_60_img_3?encoding=UTF8&pd_rd_i=B00RL1N79W&pd_rd_r=0K15VB464BCF6J7RV59C&pd_rd_w=3rhz3&pd_rd_wg=r7IJv&psc=1&refRID=0K15VB4).

International Search Report & Written Opinion for application No. PCT/US14/65816 dated Feb. 19, 2015.

International Search Report & Written Opinion for application No. PCT/US2015/033014 dated Sep. 8, 2015.

International Search Report & Written Opinion for application No. PCT/US2013/070236 dated Mar. 11, 2014.

Office Action in U.S. Appl. No. 14/767,890 dated May 12, 2017.

Office Action in U.S. Appl. No. 14/646,232 dated Dec. 15, 2016.

Ex Parte Quayle Action for U.S. Appl. No. 29/481,765 dated May 9, 2016.

Ex Parte Quayle Action for U.S. Appl. No. 29/545,539 dated May 23, 2016.

Office Action for U.S. Appl. No. 29/481,765 dated Oct. 16, 2015.

Requirement for Restriction for U.S. Appl. No. 29/530,073 dated May 30, 2017.

Office Action for U.S. Appl. No. 14/646,232 dated May 2, 2016.

Office Action for U.S. Appl. No. 29/560,681 dated Jun. 15, 2017.

Modern Square LED Chandelier Lighting (available online Sep. 22, 2015) Retrieved from the internet Jun. 2, 2017, retrieved from the internet URL: [https://www.amazon.com/VONN-VMC31620AL-Chandelier-Lighting-Adjustable/dp/B015OG45GE/ref=sr\\_1\\_2?ie=UTF8&qid=1498172914&sr=8-2&keywords=Modern+Square+LED+Chandelier+Lighting](https://www.amazon.com/VONN-VMC31620AL-Chandelier-Lighting-Adjustable/dp/B015OG45GE/ref=sr_1_2?ie=UTF8&qid=1498172914&sr=8-2&keywords=Modern+Square+LED+Chandelier+Lighting).

Modern Two-Tier LED Chandelier (available online Sep. 22, 2015)

Retrieved from the internet Jun. 2, 2017, retrieved from the Internet

URL: [https://www.amazon.com/VONN-VMC31710SW-Two-Tier-Chandelier-Adjustable/dp/B0150G4J8S/ref=pd\\_sbs\\_60\\_2?encoding=UTF8&pd\\_rd\\_i=B0150G4J8S&pd\\_rd\\_r=9GZ57EM9VFSJZMQWIERC&pd\\_rd\\_w=XsCRS&pd\\_rd\\_wg=VbWDy&psc=1&refRID=9GZ57EM9VFSJZ](https://www.amazon.com/VONN-VMC31710SW-Two-Tier-Chandelier-Adjustable/dp/B0150G4J8S/ref=pd_sbs_60_2?encoding=UTF8&pd_rd_i=B0150G4J8S&pd_rd_r=9GZ57EM9VFSJZMQWIERC&pd_rd_w=XsCRS&pd_rd_wg=VbWDy&psc=1&refRID=9GZ57EM9VFSJZ).

Astro D-Light wall Light (available online) Retrieved from the internet Jun. 2, 2017, retrieved from the internet URL: <https://www.lovelights.co.uk/led-lighting-c17/astro-d-light-led-wall-light-p22295>.

Notice of Allowance for U.S. Appl. No. 15/076,852 dated Oct. 11, 2017.

Non-Final Office Action for U.S. Appl. No. 29/530,073 dated Sep. 1, 2017.

Notice of Allowance for U.S. Appl. No. 29/560,673 dated Nov. 13, 2017.

Non-Final Office Action for U.S. Appl. No. 14/912,396 dated Dec. 29, 2017.

Final Office Action for U.S. Appl. No. 14/767,890 dated Dec. 29, 2017.

Non-Final Office Action for U.S. Appl. No. 29/560,686 dated Jan. 9, 2018.

The807, (Feb. 5, 2014), [online], [site visited Jan. 4, 2018]. Available from internet <URL: Retrieved from <https://www.etsy.com/uk/listing/176582577/triangle-shadow-box-set-of-3?ref=related-2>>.

Non-Final Office Action for U.S. Appl. No. 29/560,688 dated Jan. 9, 2018.

EONeyeofnature. (Jan. 5, 2015), [online], [site visited Jan. 4, 2018]. Available from internet, <URL: Retrieved from [https://www.etsy.com/uk/listing/217343723/set-of-four-hexagon-honeycomb-shelves-in?show\\_sold\\_out\\_detail=1](https://www.etsy.com/uk/listing/217343723/set-of-four-hexagon-honeycomb-shelves-in?show_sold_out_detail=1)>.

Search Report for application No. GB1715859.3 dated Mar. 8, 2018. Non-Final Office Action for U.S. Appl. No. 14/767,890 dated Jun. 4, 2018.

Search Report for application No. GB1715859.3 dated Oct. 2, 2018. Acoshape+ Modell Barcode Acoustic Submitted to U.S. Appl. No. 15/973,054.

Acoshape+ Modell Barcode Down Submitted to U.S. Appl. No. 15/973,054.

Acoshape+ Modell Barcode Down/Up Submitted to U.S. Appl. No. 15/973,054.

Acoshape+ Modell Morse 3 Submitted to Appl. No. 15/973,054.

Acoshape+ Modell Morse 4 Submitted to U.S. Appl. No. 15/973,054.

Modell Slab 150 Submitted to Appl. No. 15/973,054.

Ringo Star Acoustic-P6/G6 Submitted to U.S. Appl. No. 15/973,054.

Spectral Blade Light and Acoustic Baffles Submitted to Appl. No. 15/973,054.

Non-Final Office Action for U.S. Appl. No. 15/902,731 dated Jul. 29, 2019.

Office Action dated Aug. 23, 2019 from U.S. Appl. No. 15/719,070, filed Sep. 28, 2017.

Final Office Action for U.S. Appl. No. 15/719,070 dated Feb. 3, 2020.

Non-Final Office Action for U.S. Appl. No. 16/577,636 dated Feb. 21, 2020.

Notice of Allowance for U.S. Appl. No. 15/902,731 dated Feb. 26, 2020.

Architonic light ring Tin Eye search result Oct. 28, 2014 (available online Oct. 28, 2014) Retrieved from the internet Aug. 11, 2020 from URL: <https://tineye.com/search/8ef4cda898fab73fd1.d06a6d7262af01589cc18b?sort=score&order=desc&page=1>.

(56)

**References Cited**

## OTHER PUBLICATIONS

Corrected Notice of Allowability from Application No. 29/560,686 dated Jul. 11, 2018.

Final Office Action from U.S. Appl. No. 14/767,890 dated May 17, 2019.

Foyer Pendant (available online Mar. 2, 2015) Retrieved from the internet Aug. 17, 2020 from URL: <https://www.fergusonshowrooms.com/product/et2-EE22405-bronze-870257?tb=>.

Highly Effective Acoustic Baffles (available online) Retrieved from the Internet Aug. 3, 2020 from URL: [www.soundsorba.com/acoustic-products/sound-absorption/bafflesorba/](http://www.soundsorba.com/acoustic-products/sound-absorption/bafflesorba/).

IPRP from PCT Application No. PCT/US2013/070236 dated May 26, 2015.

IPRP from PCT Application No. PCT/US2014/065816 dated May 17, 2016.

Light\_Ring\_Medium\_designer\_furniture\_Architonic (available online Oct. 28, 2014) Retrieved from the internet Aug. 11, 2020 from URL: <https://www.architonic.com/en>.

Matric Ready Square 2in Suspension G3/R4 (available online) Retrieved from the internet Aug. 17, 2020 from URL: <https://www.lighfformshop.com/Brands-lights/matric-ready-square-2in-suspension-g3-r4>.

Modell Slab 150 Submitted to U.S. Appl. No. 15/973,054.

Morfi Small (available online) Retrieved from the internet Aug. 14, 2020 from URL: <https://www.architonic.com/en/product/petridis-s-a-morfi-small/20103072>.

Notice of Allowance for U.S. Appl. No. 14/912,396 dated May 2, 2018.

Notice of Allowance from U.S. Appl. No. 14/646,232 dated Mar. 24, 2017.

Notice of Allowance from U.S. Appl. No. 15/076,852 dated Jan. 16, 2018.

Notice of Allowance from U.S. Appl. No. 29/481,765 dated Jun. 7, 2016.

Notice of Allowance from U.S. Appl. No. 29/545,539 dated Jul. 1, 2016.

Notice of Allowance from U.S. Appl. No. 29/560,686 dated May 22, 2018.

Notice of Allowance from U.S. Appl. No. 29/560,688 dated May 22, 2018.

Notice of Allowance received for U.S. Appl. No. 15/902,731, dated Aug. 21, 2020, 5 pages.

Notice of Allowance received for U.S. Appl. No. 15/902,731, dated Jun. 9, 2020, 7 pages.

Notice of Allowance received for U.S. Appl. No. 15/902,731, dated Nov. 4, 2020, 2 pages.

Notice of Allowance received for U.S. Appl. No. 16/577,636, dated Aug. 21, 2020, 5 pages.

Notice of Allowance received for U.S. Appl. No. 16/577,636, dated Jul. 21, 2020, 5 pages.

Notice of Allowance received for U.S. Appl. No. 16/577,636, dated Oct. 9, 2020, 2 pages.

Office Action in U.S. Appl. No. 15/076,852 dated Jun. 2, 2017.

Restriction Requirement for U.S. Appl. No. 16/577,636 dated Nov. 5, 2019.

Restriction Requirement from U.S. Appl. No. 15/719,070 dated May 6, 2019.

Restriction Requirement from U.S. Appl. No. 29/481,765 dated Jun. 18, 2015.

Supplemental Notice of Allowability for U.S. Appl. No. 14/912,396 dated Jul. 9, 2018.

Triangle Pendantlampjavailable online Dec. 29, 2017) Retrieved from the internet Aug. 16, 2020 from URL: [https://www.archiproducts.com/en/products/hollis-morris-led-indirect-light-pendant-lamp-triangle-pendant-lamp\\_265978](https://www.archiproducts.com/en/products/hollis-morris-led-indirect-light-pendant-lamp-triangle-pendant-lamp_265978).

Search Report for application No. GB1804368.7 dated Sep. 17, 2018.

Search Report for application No. 18162643.3-1015, dated Jul. 13, 2018.

ABL3-LED Mobern Lighting (on-line), dated Sep. 30, 2020 Retrieved from Internet Dec. 9, 2020, Url: <https://web.archive.org/web/20200930005620/https://www.mobem.com/products/ab13-led> (2 pages) (Year: 2020).

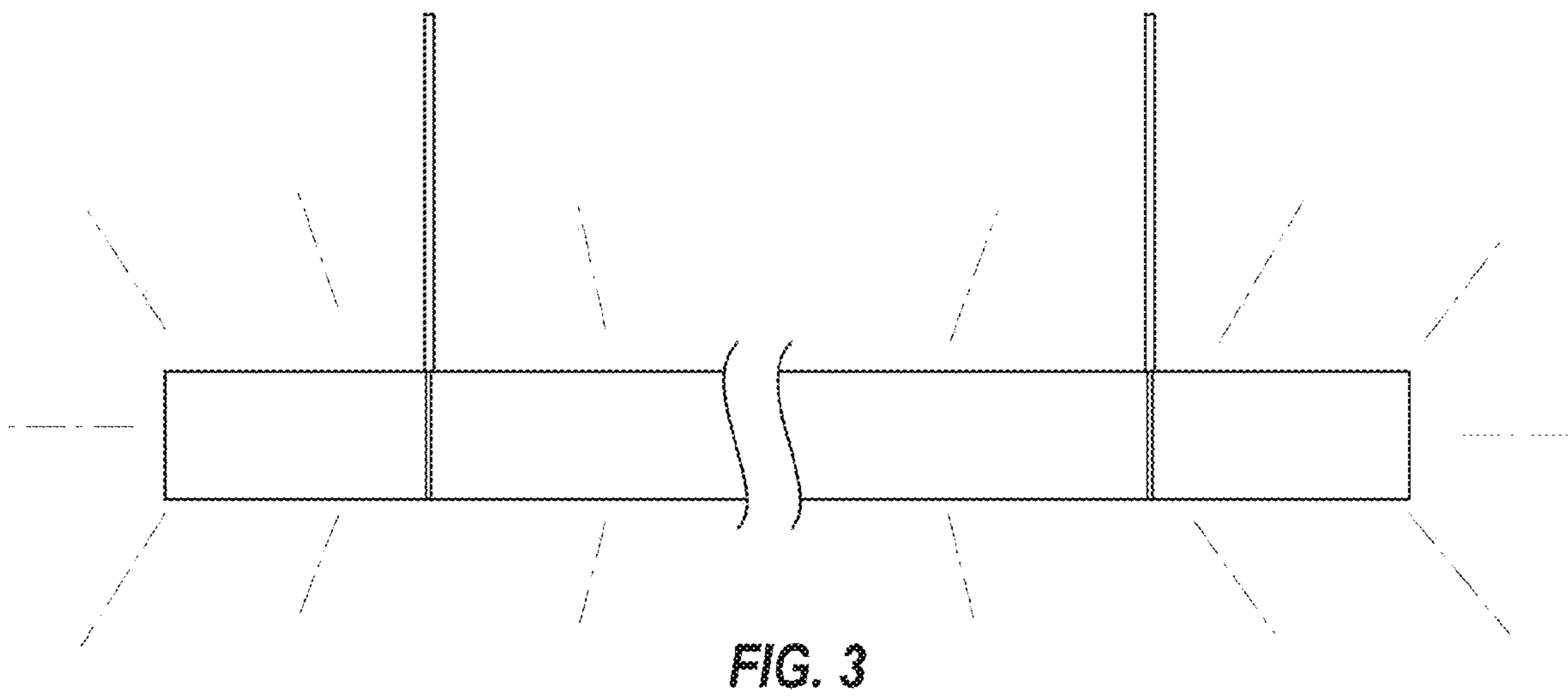
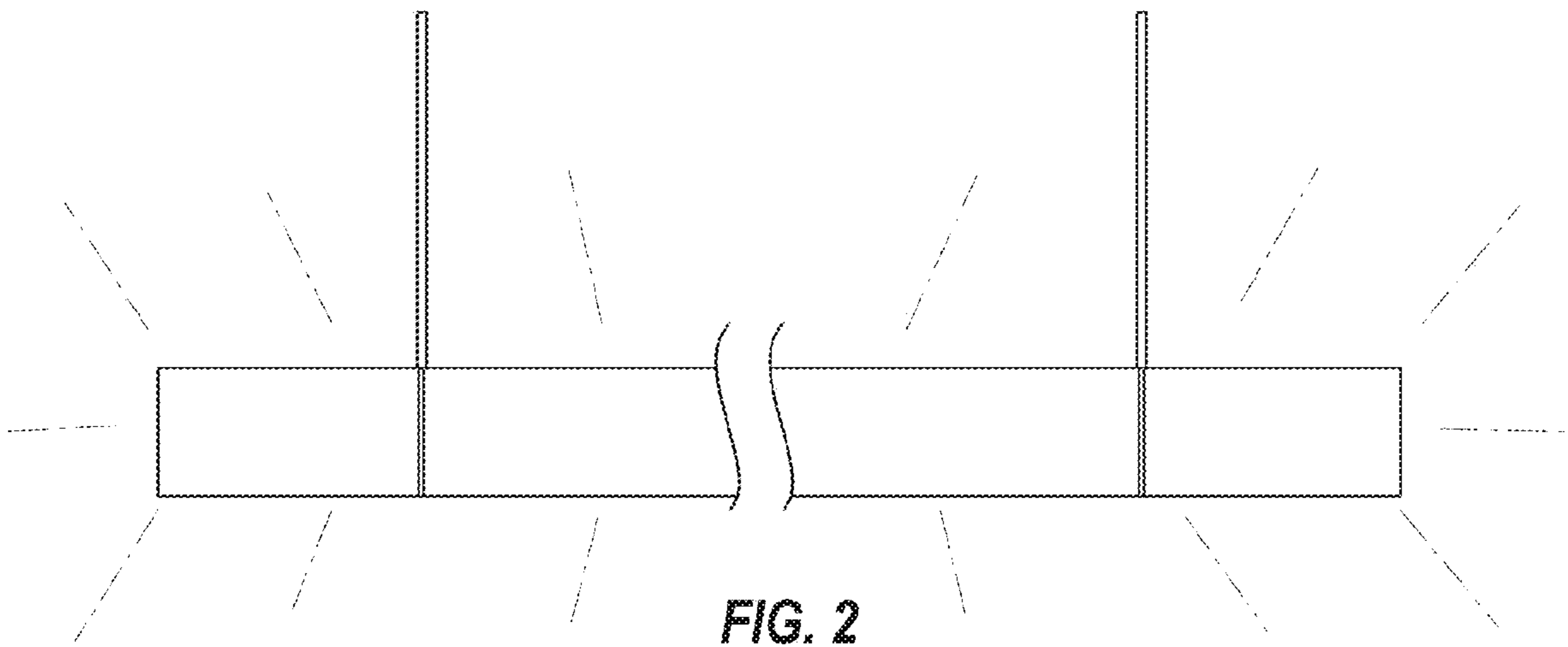
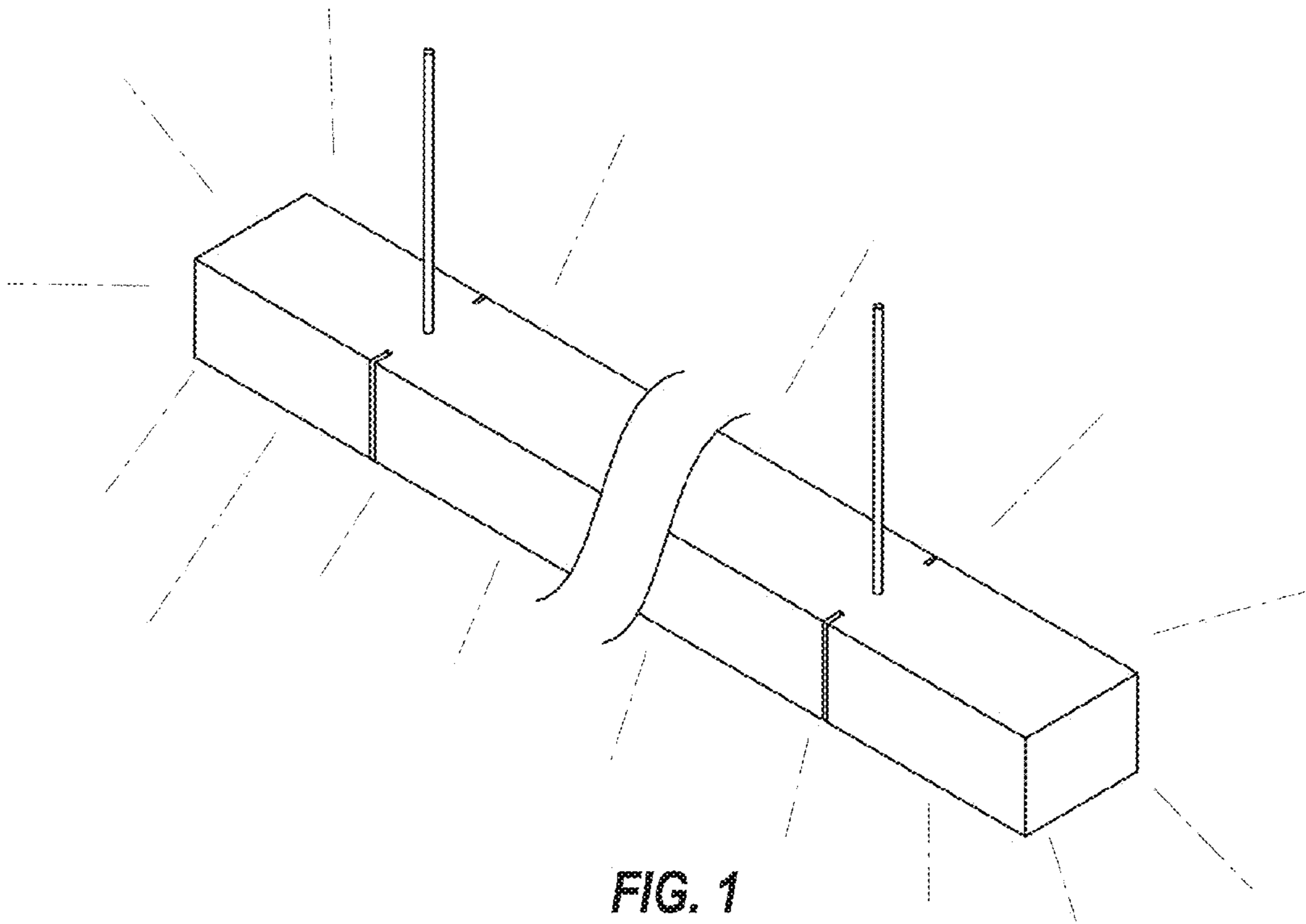
Acoustic Baffle and Lighting System—Arktura SoundBar (on-line), dated Aug. 8, 2020. Retrieved from Internet Dec. 9, 2020, URL: <https://web.archive.org/web/20200808002745/https://arktura.com/product/soundbar1> (1 page) (Year: 2020).

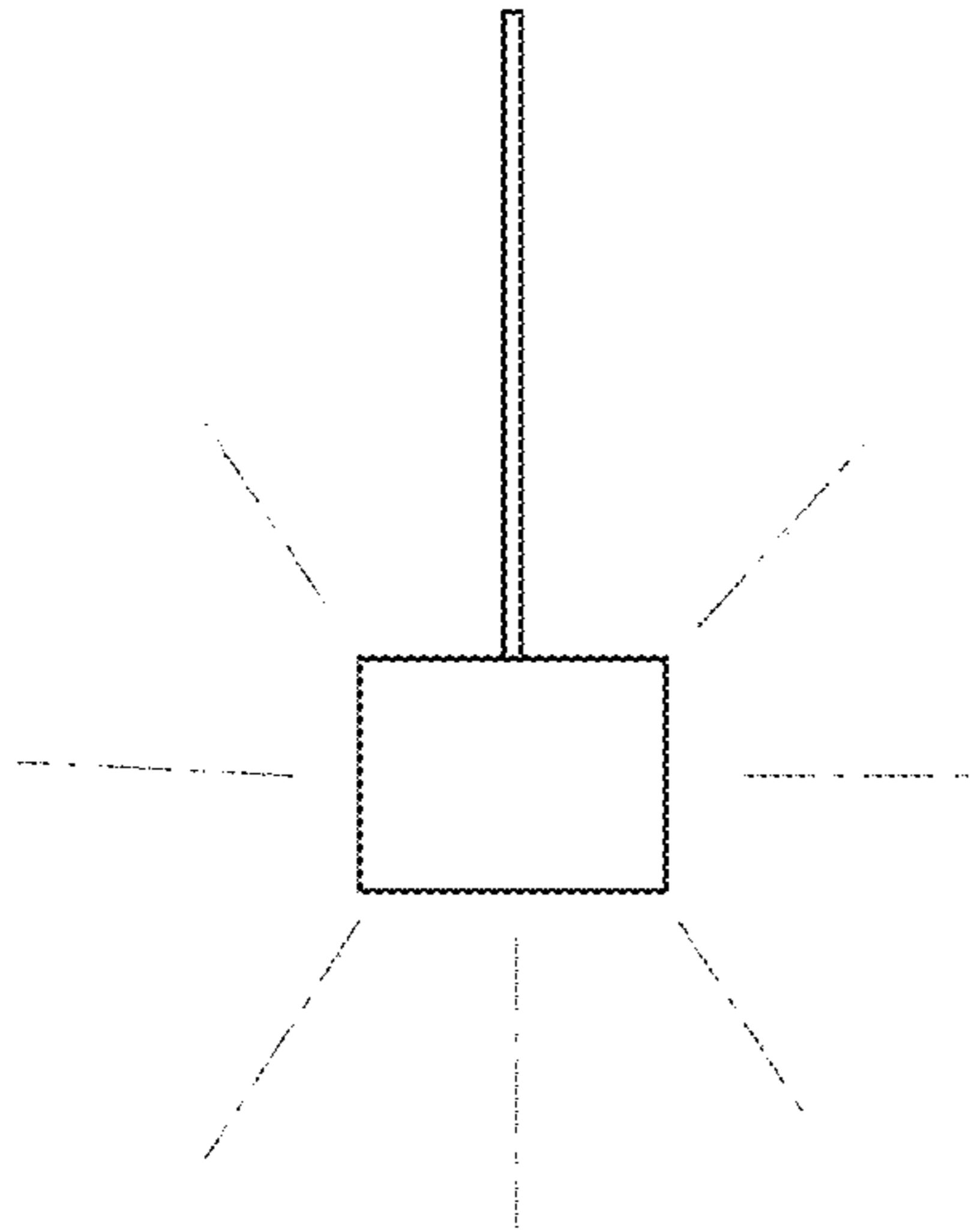
Blade Silent Light—Architecture Today (on-line), no date available. Retrieved from Internet Dec. 9, 2020, URL: <https://architecturetoday.co.uk/blade-silent-light/> (5 pages).

LS1—STFU Series (on-line), dated Jun. 20, 2019. Retrieved from Internet Dec. 7, 2020, URL: <https://web.archive.org/web/20190620155204/https://coronetled.com/Is1-sffu/> (2 pages) (Year: 2019).

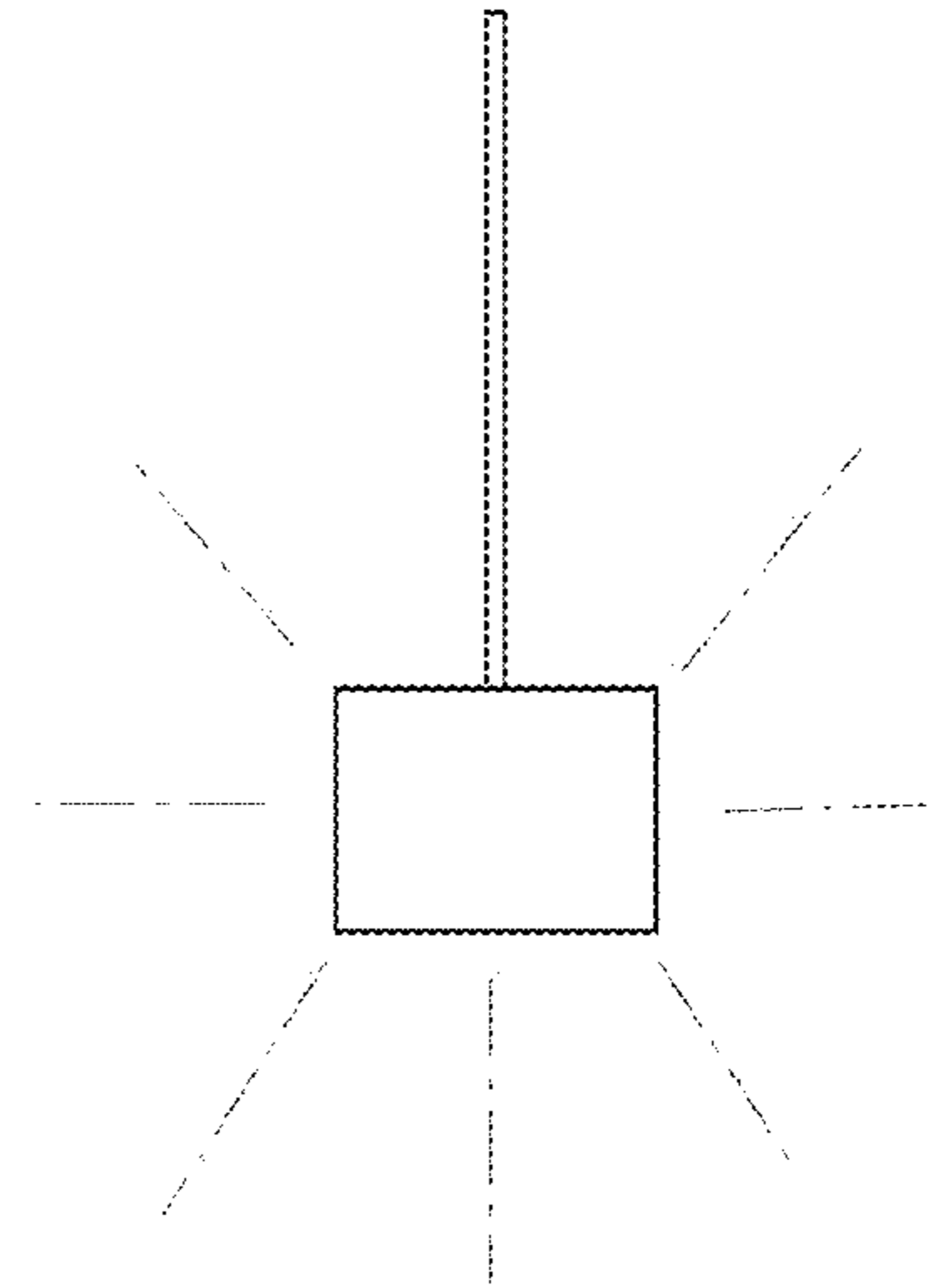
Product Monday—Seem 1 Acoustic by Focal Point-LightNOW (on-line), dated May 20, 2019. Retrieved from Internet Dec. 9, 2020, URL: <https://www.lightnowblog.com/2019/05/product-monday-seem-1-acoustic-by-focal-point/> (2 pages) (Year: 2019).

\* cited by examiner

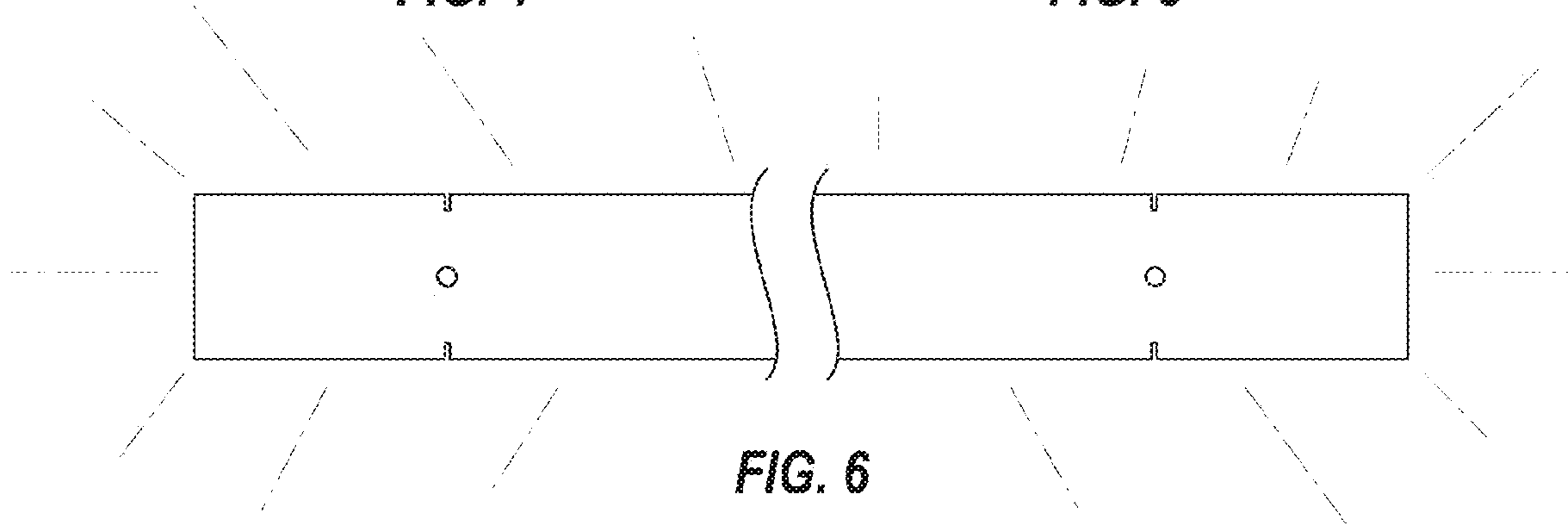




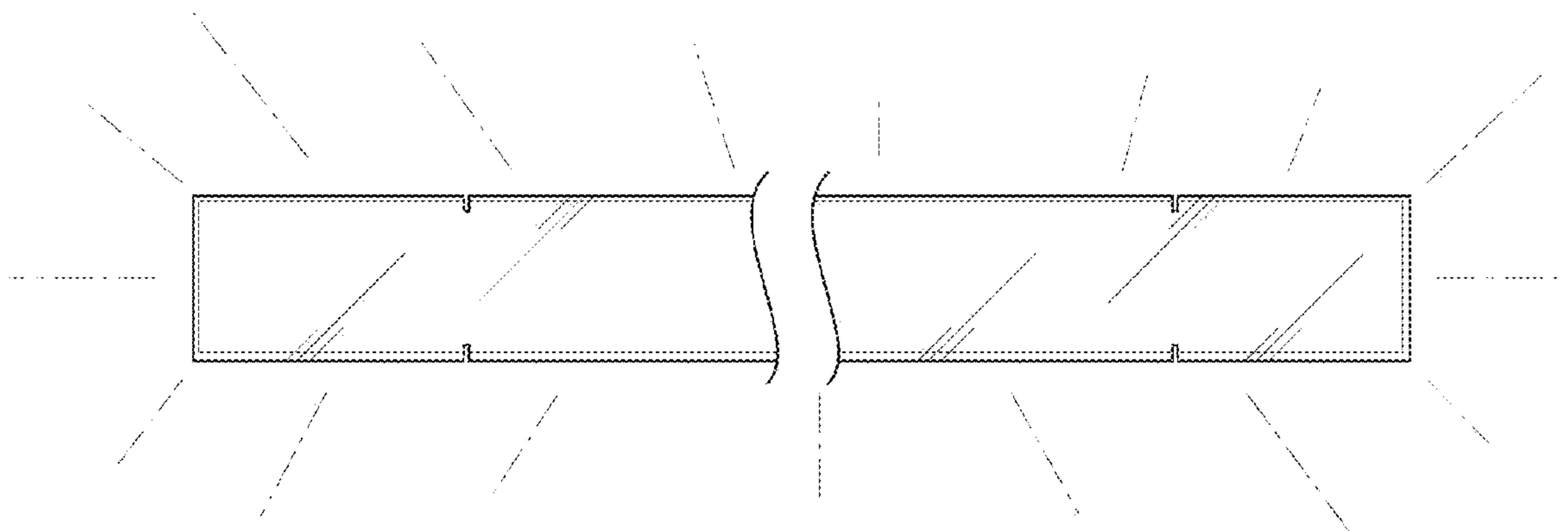
**FIG. 4**



**FIG. 5**



**FIG. 6**



**FIG. 7**

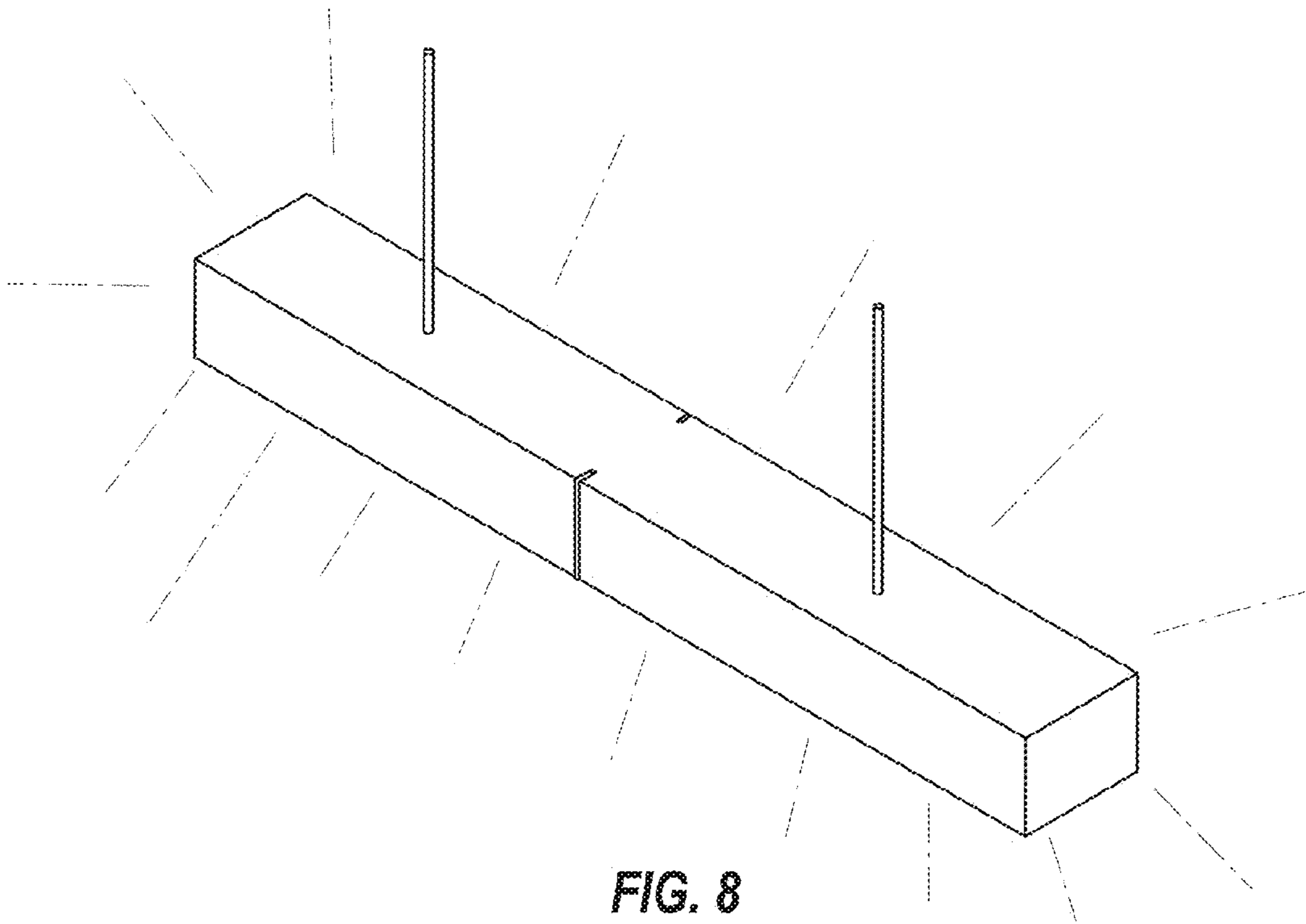


FIG. 8

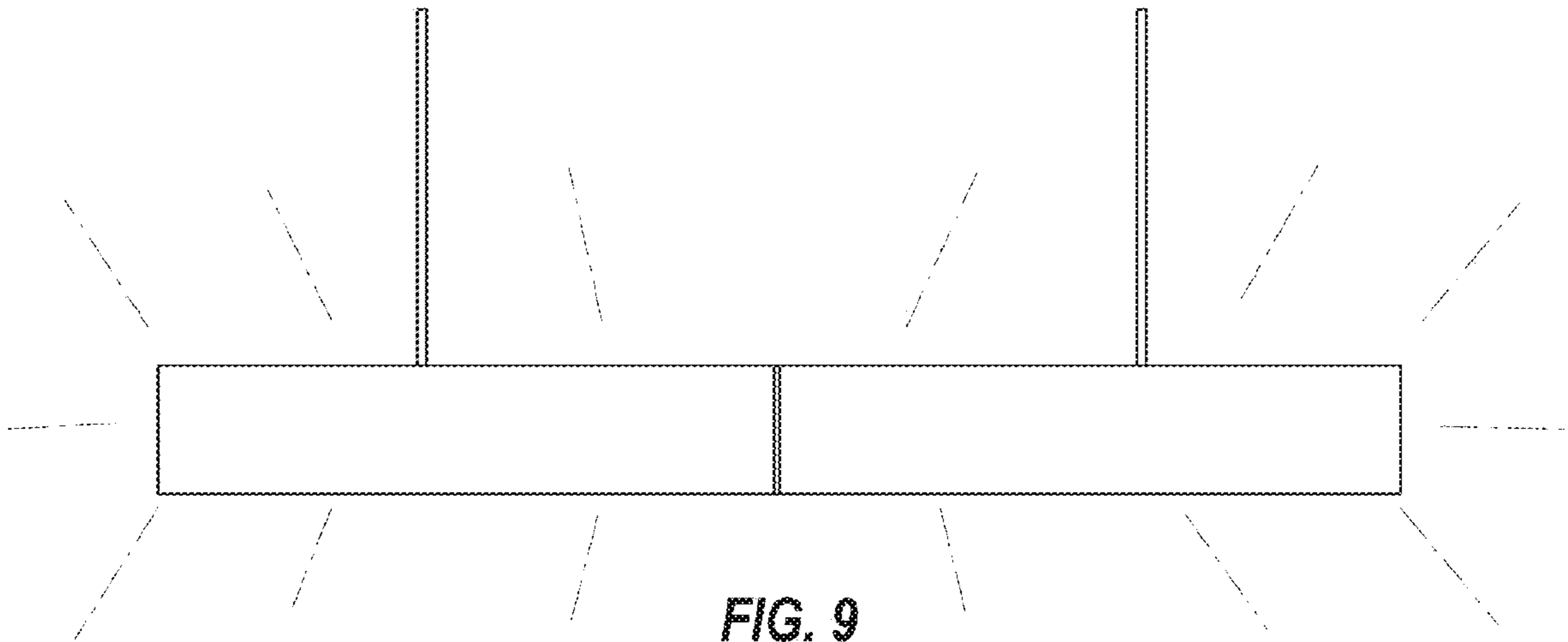


FIG. 9

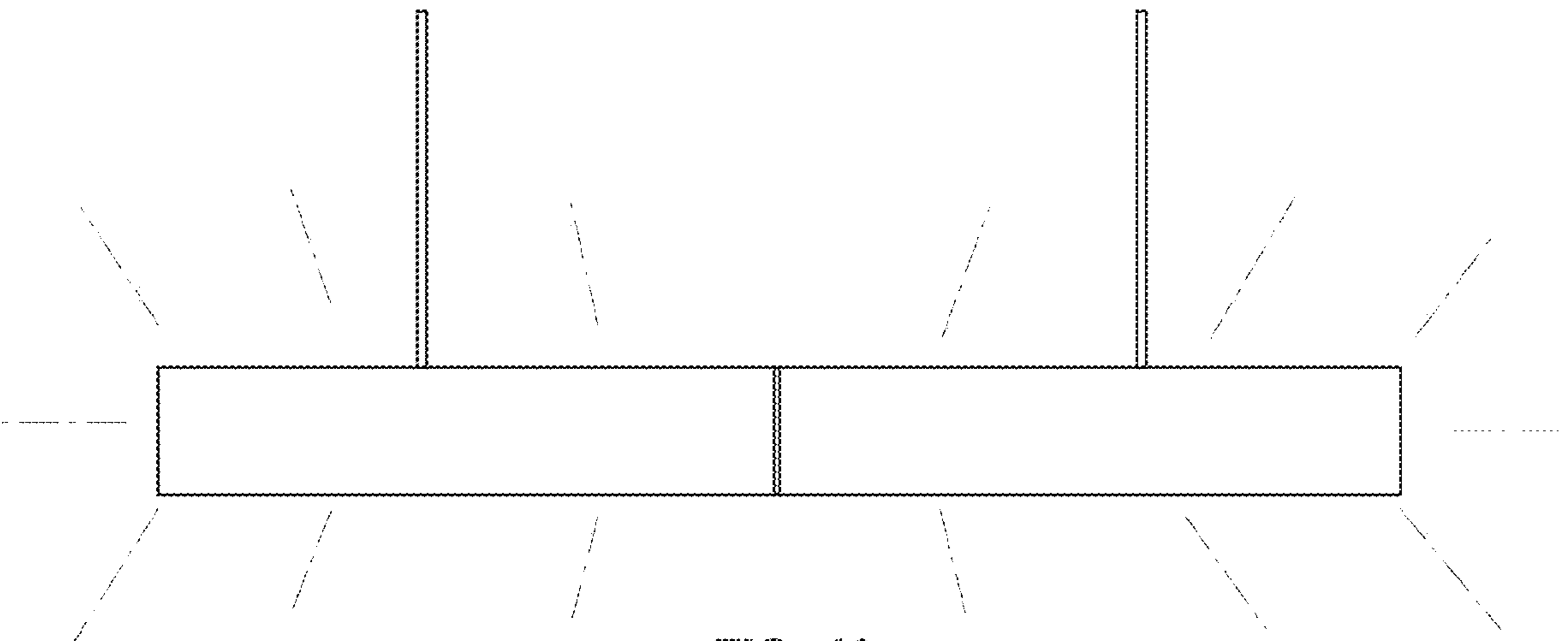
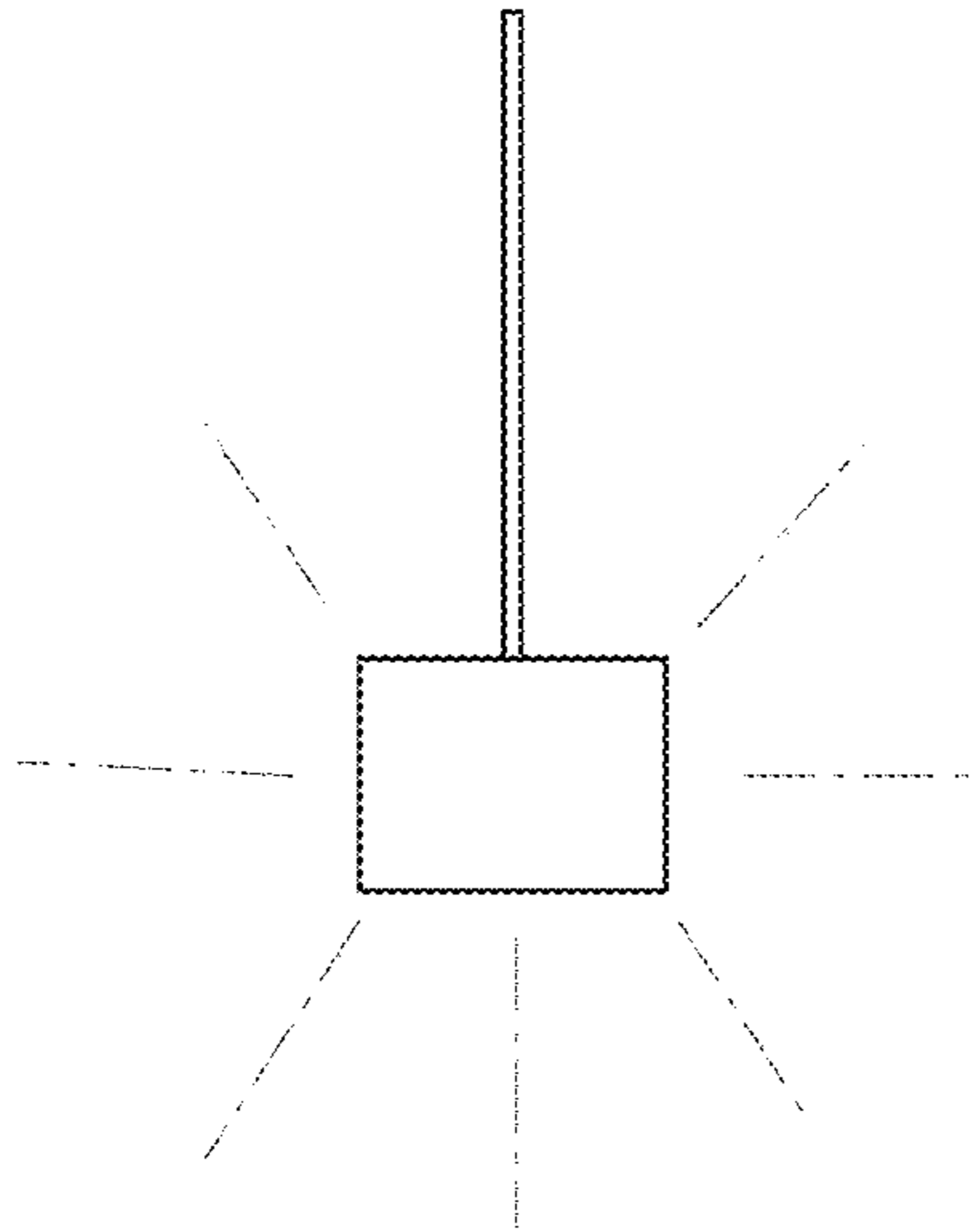
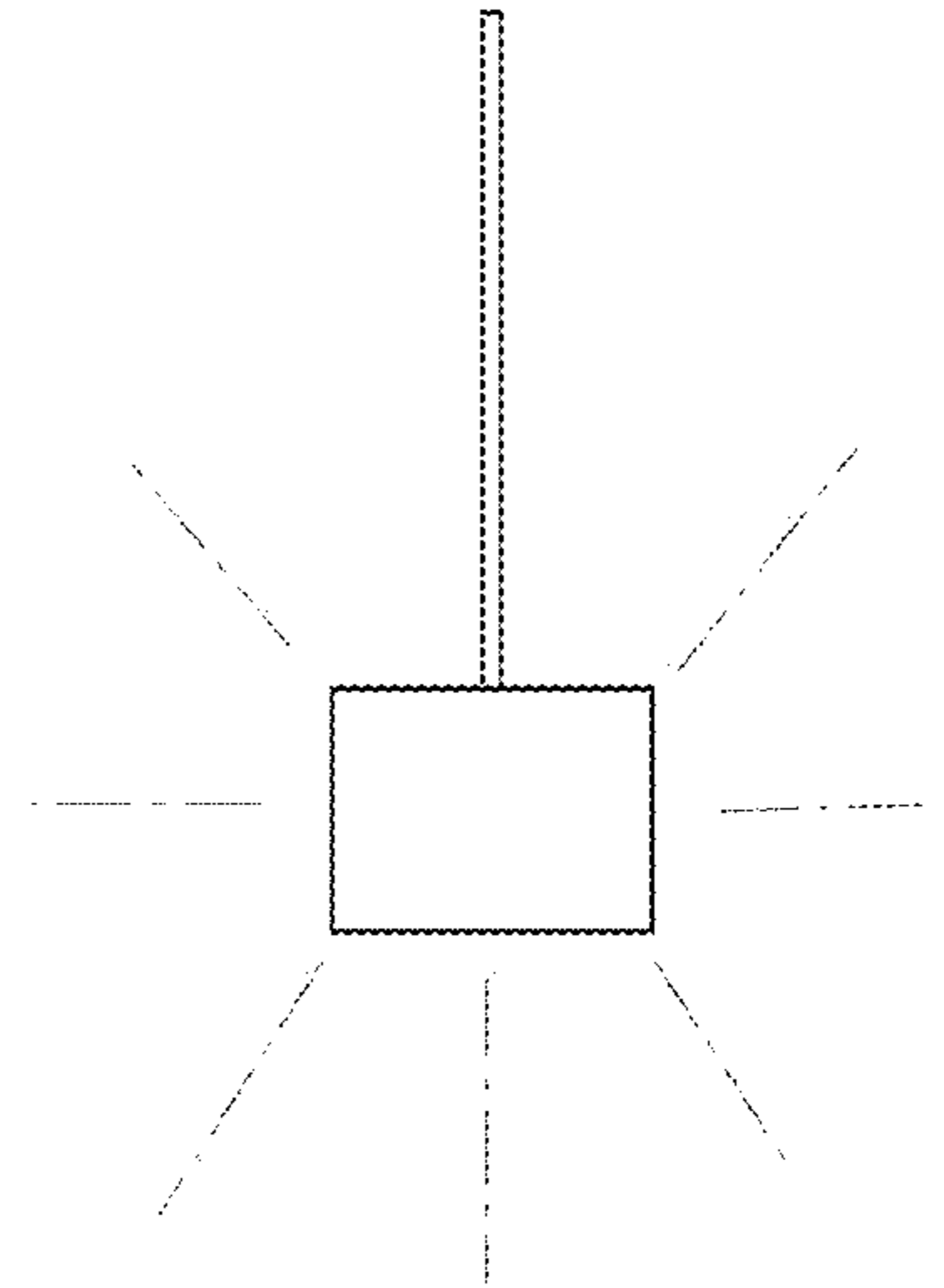


FIG. 10

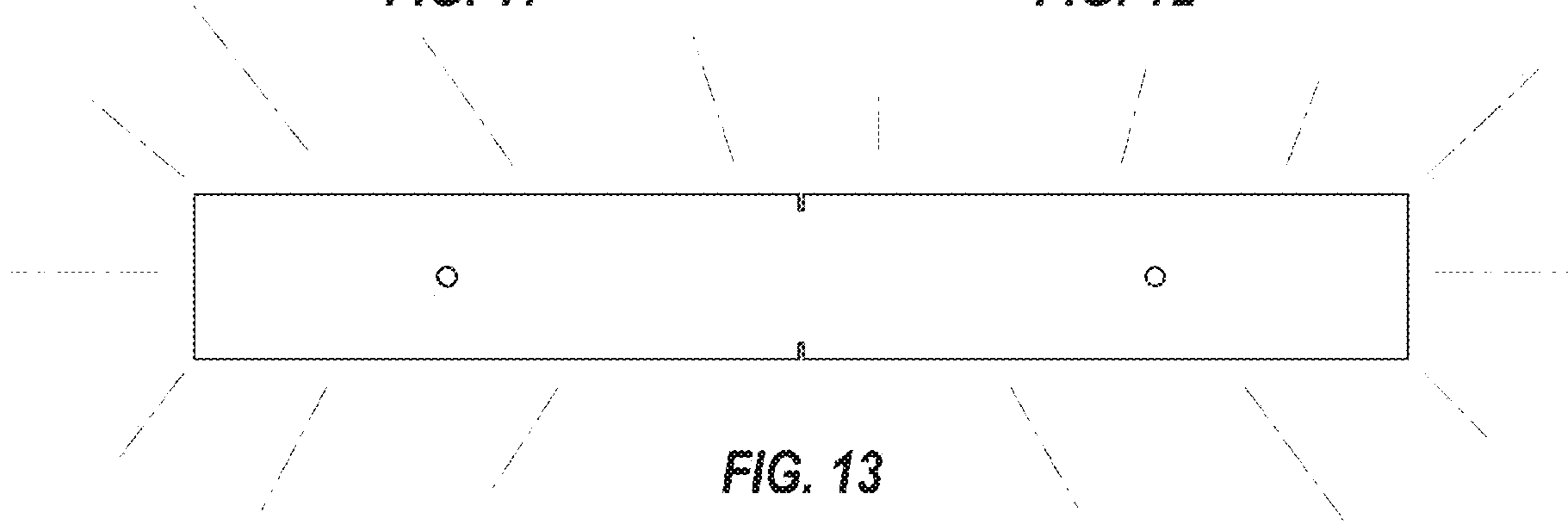




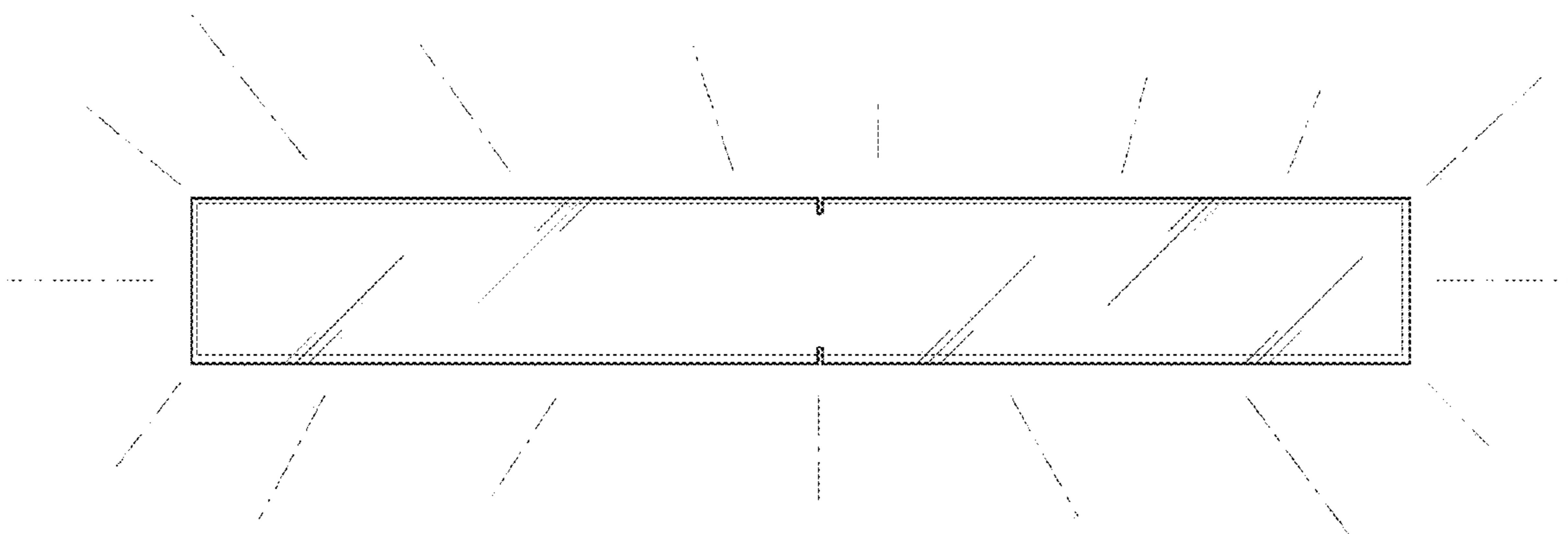
**FIG. 11**



**FIG. 12**



**FIG. 13**



**FIG. 14**