



US00D916347S

(12) **United States Design Patent**
Liu

(10) **Patent No.:** **US D916,347 S**

(45) **Date of Patent:** **** Apr. 13, 2021**

(54) **LED GARAGE LIGHT**

(71) Applicant: **Yi Liu**, Shenzhen (CN)

(72) Inventor: **Yi Liu**, Shenzhen (CN)

(**) Term: **15 Years**

(21) Appl. No.: **29/746,130**

(22) Filed: **Aug. 12, 2020**

(51) **LOC (13) Cl.** **26-03**

(52) **U.S. Cl.**
USPC **D26/63; D26/2**

(58) **Field of Classification Search**
USPC D26/2, 61, 63, 64, 65
CPC F21S 6/00; F21S 8/00; F21S 8/024; F21S
8/003; F21V 21/00; F21V 21/06; F21V
21/26; F21V 21/28; F21V 17/02; F21W
2121/10; F21W 2131/30

See application file for complete search history.

(56) **References Cited**

U.S. PATENT DOCUMENTS

D687,585 S 8/2013 Kim et al.
D702,867 S 4/2014 Kim et al.
D861,926 S * 10/2019 Lin D26/2
D879,334 S * 3/2020 Lin D26/2

D879,335 S * 3/2020 Lin D26/2
D879,349 S * 3/2020 Li D26/63
D882,851 S * 4/2020 Deng D26/63
D886,353 S * 6/2020 Du D26/63
D907,829 S * 1/2021 Rajasekaran D26/63
D908,250 S * 1/2021 Xu D26/2

* cited by examiner

Primary Examiner — Brian N. Vinson

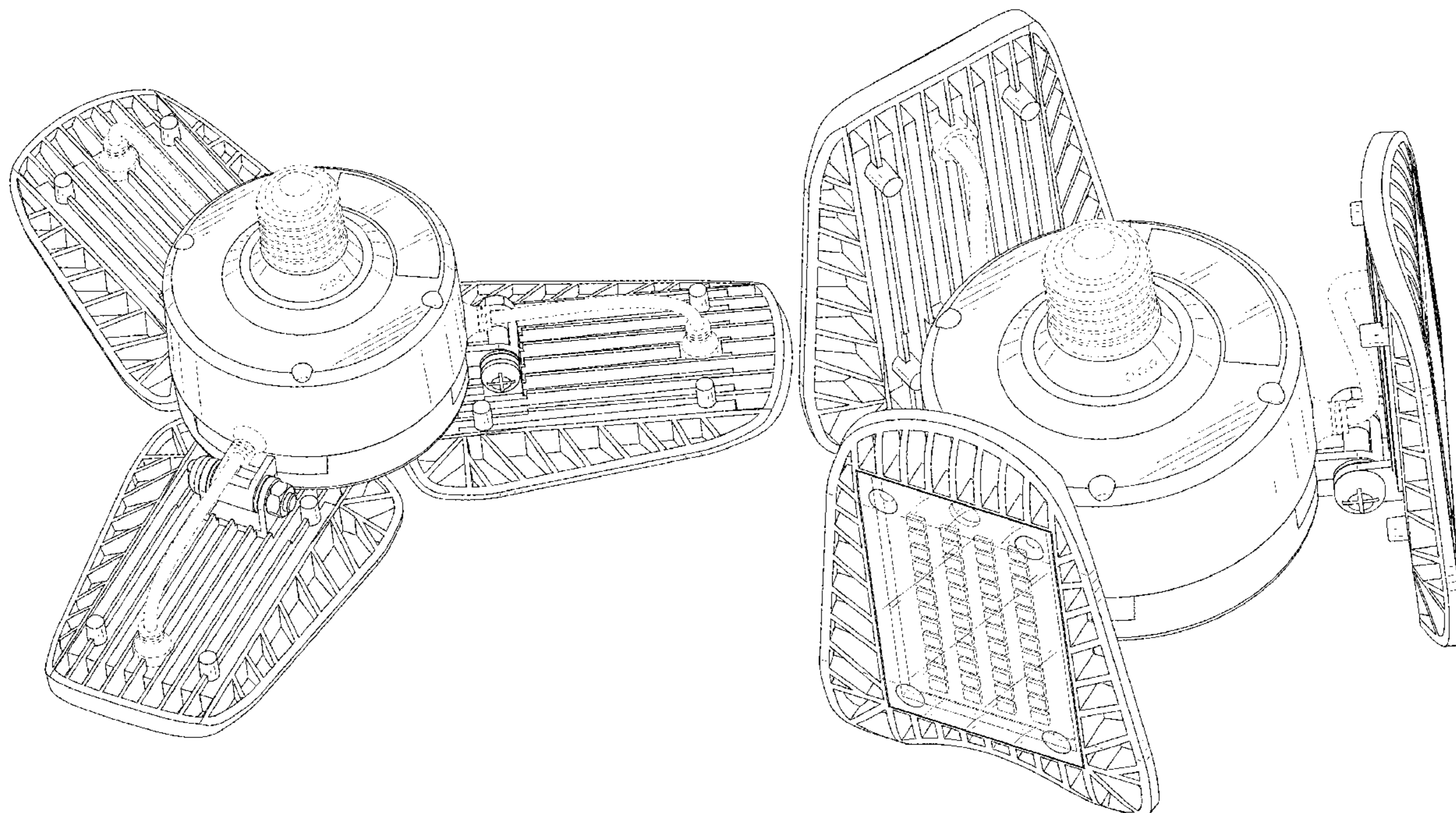
(57) **CLAIM**

The ornamental design for an LED garage light, as shown and described.

DESCRIPTION

FIG. 1 is a perspective view of an LED garage light showing my new design;
FIG. 2 is another perspective view thereof;
FIG. 3 is a front elevational view thereof;
FIG. 4 is a rear elevational view thereof;
FIG. 5 is a left side elevational view thereof;
FIG. 6 is a right side elevational view thereof;
FIG. 7 is a top plan view thereof;
FIG. 8 is a bottom plan view thereof;
FIG. 9 is a perspective view of the LED garage light where the LED garage light is in a configuration of use; and,
FIG. 10 is a top plan view thereof.
The broken lines in the drawings depict portions of the LED garage light that form no part of the claimed design.

1 Claim, 10 Drawing Sheets



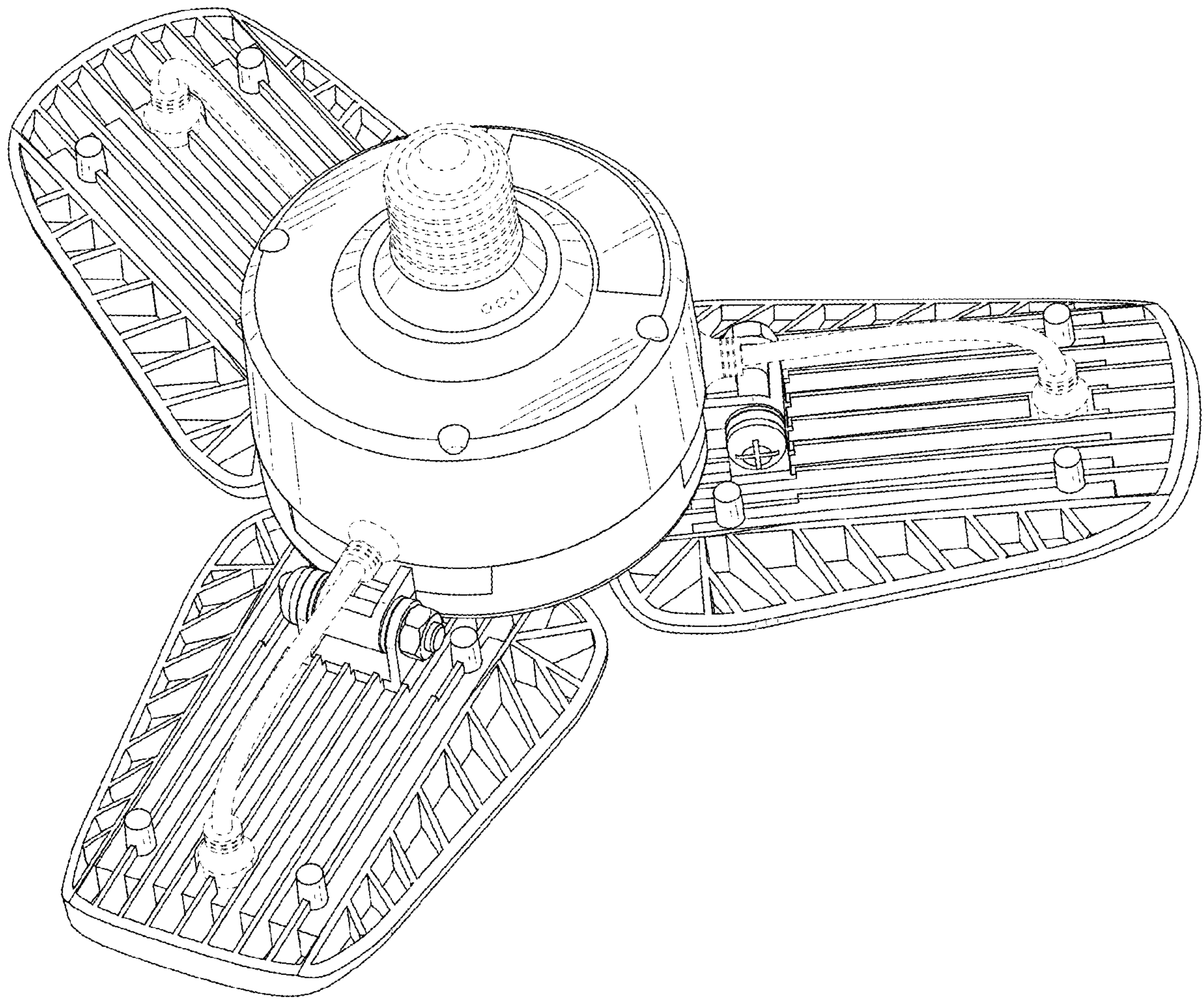


FIG. 1

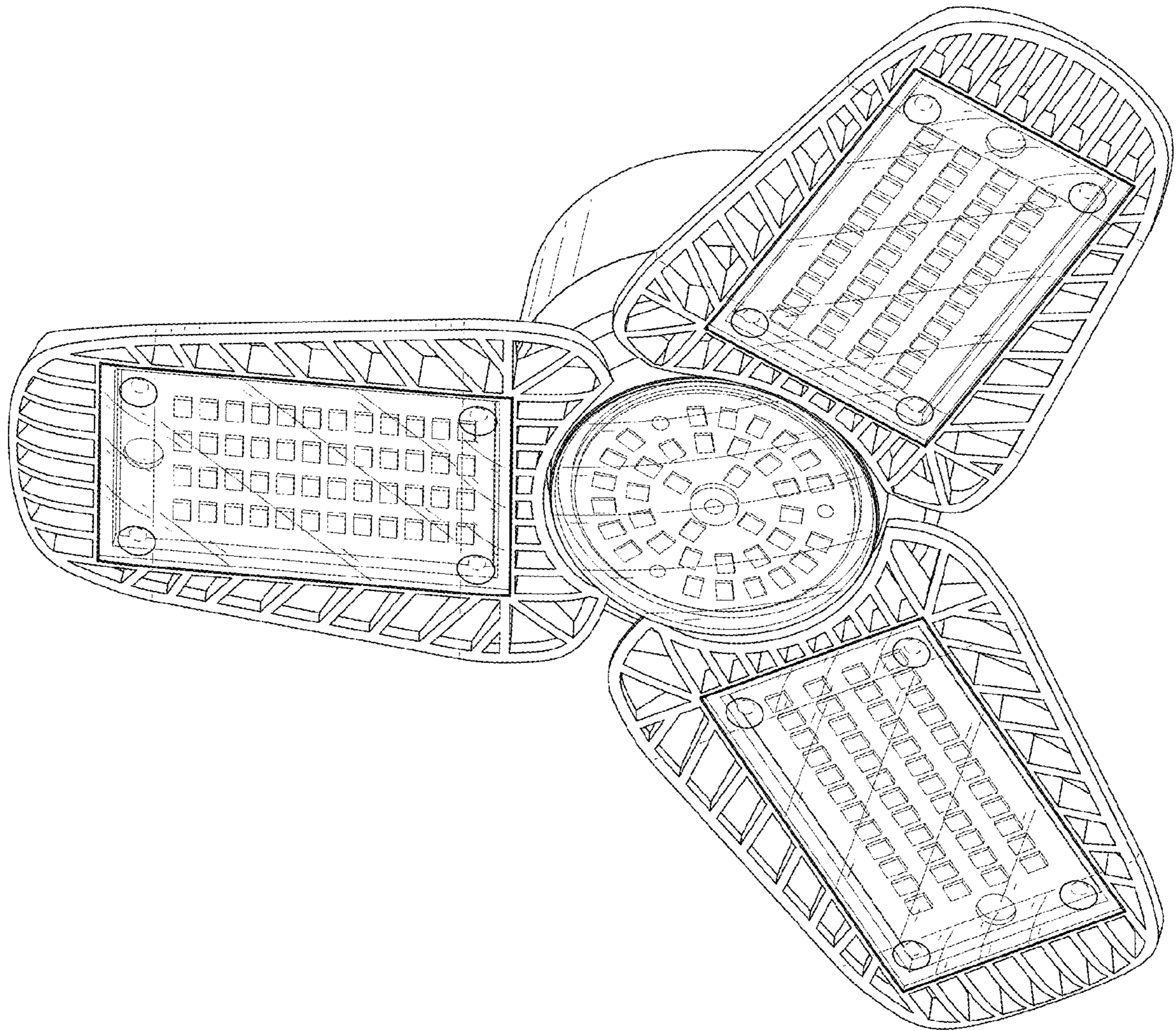


FIG. 2

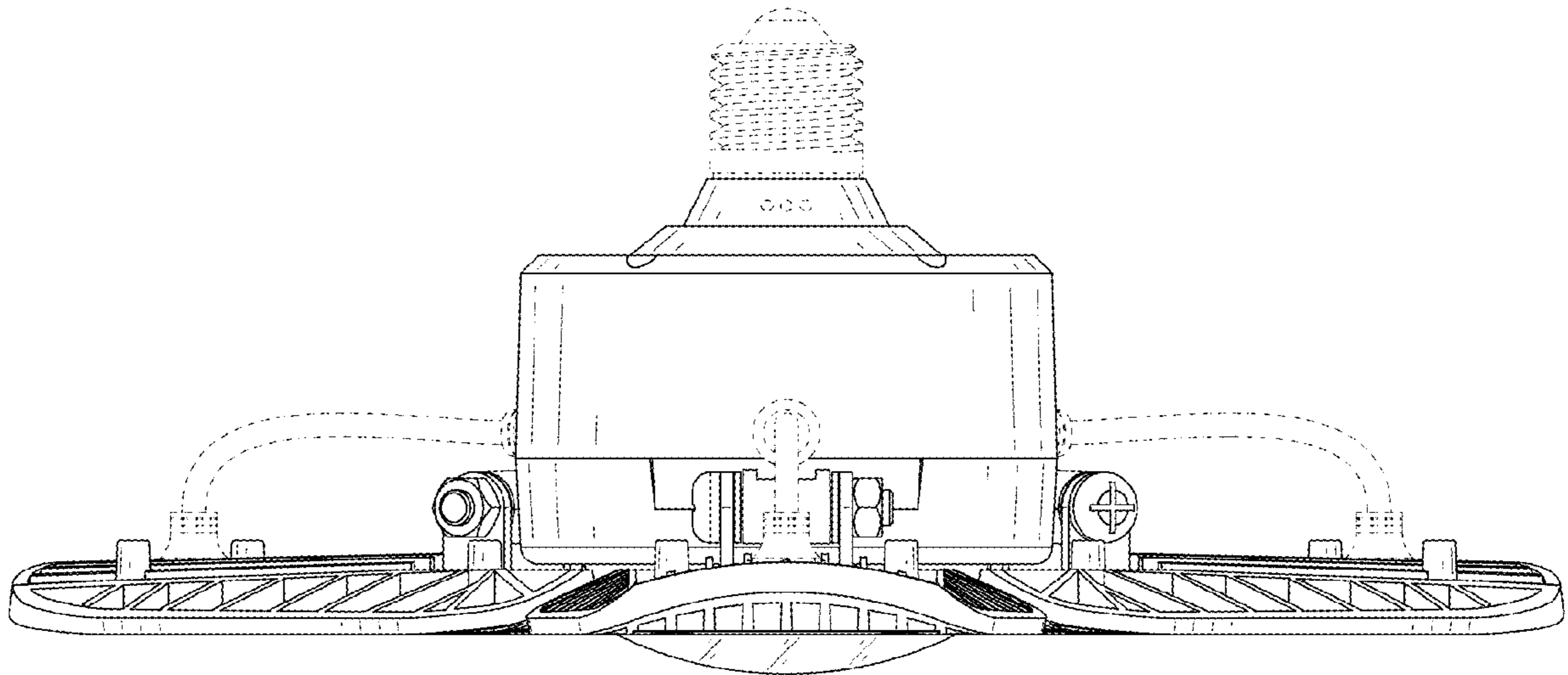


FIG. 3

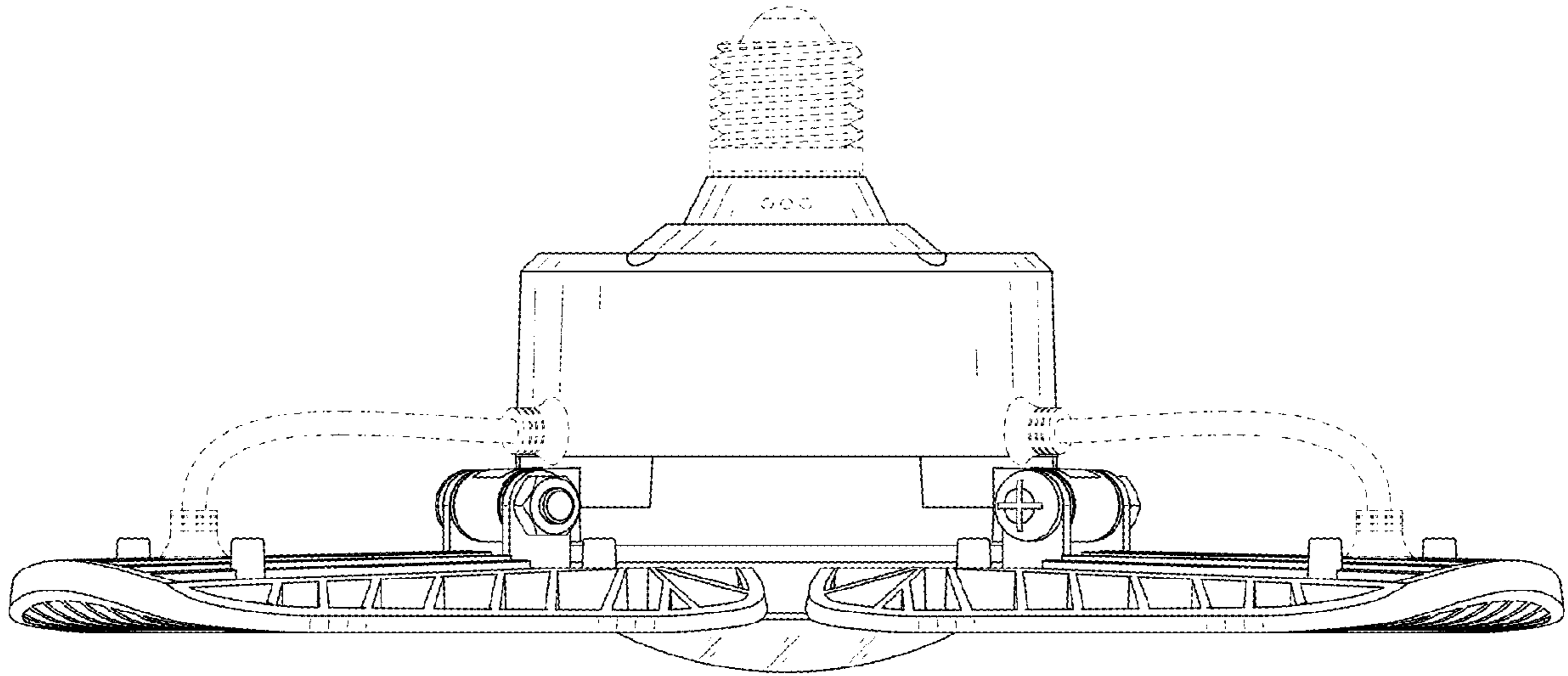


FIG. 4

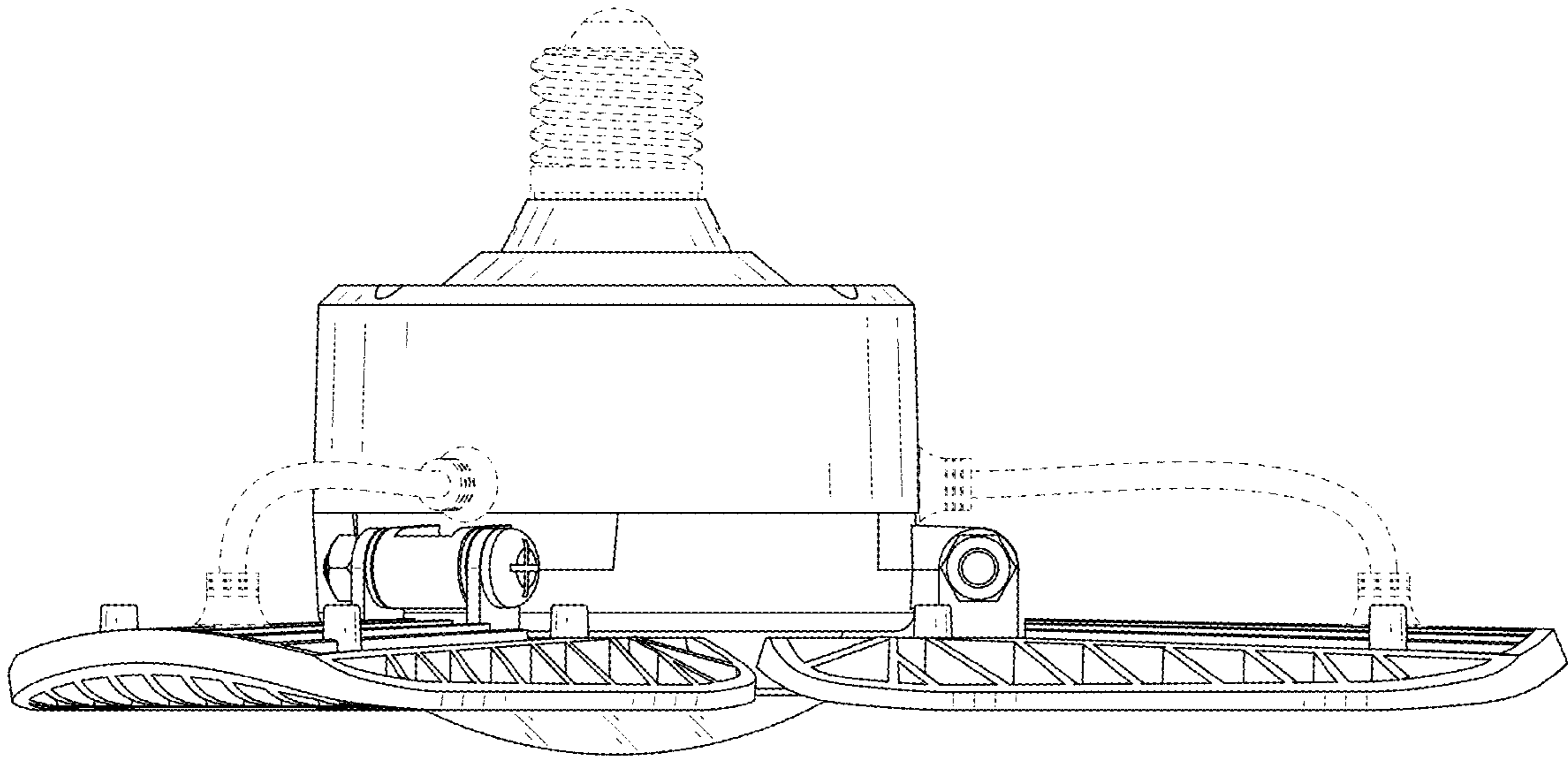


FIG. 5

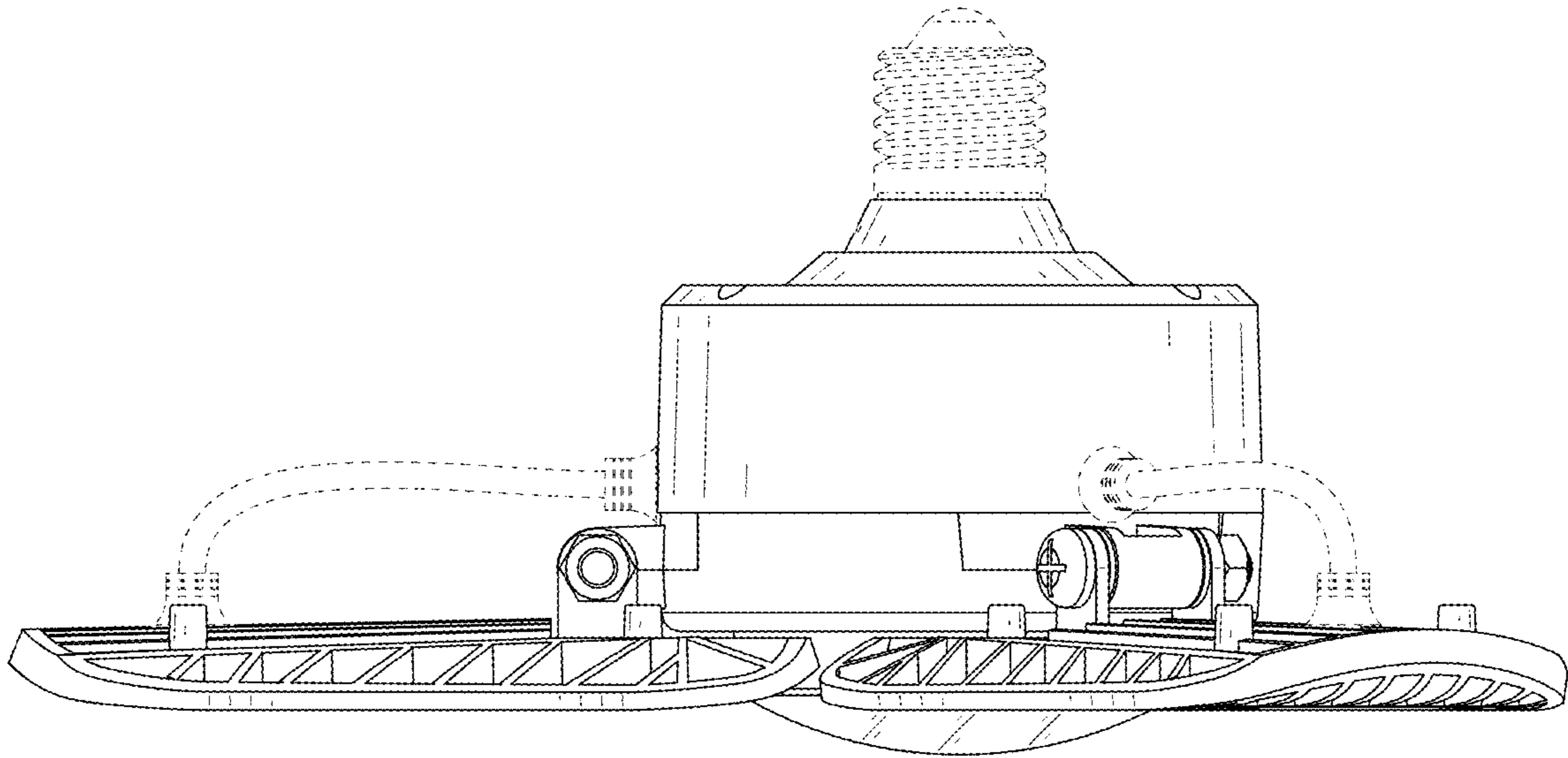


FIG. 6

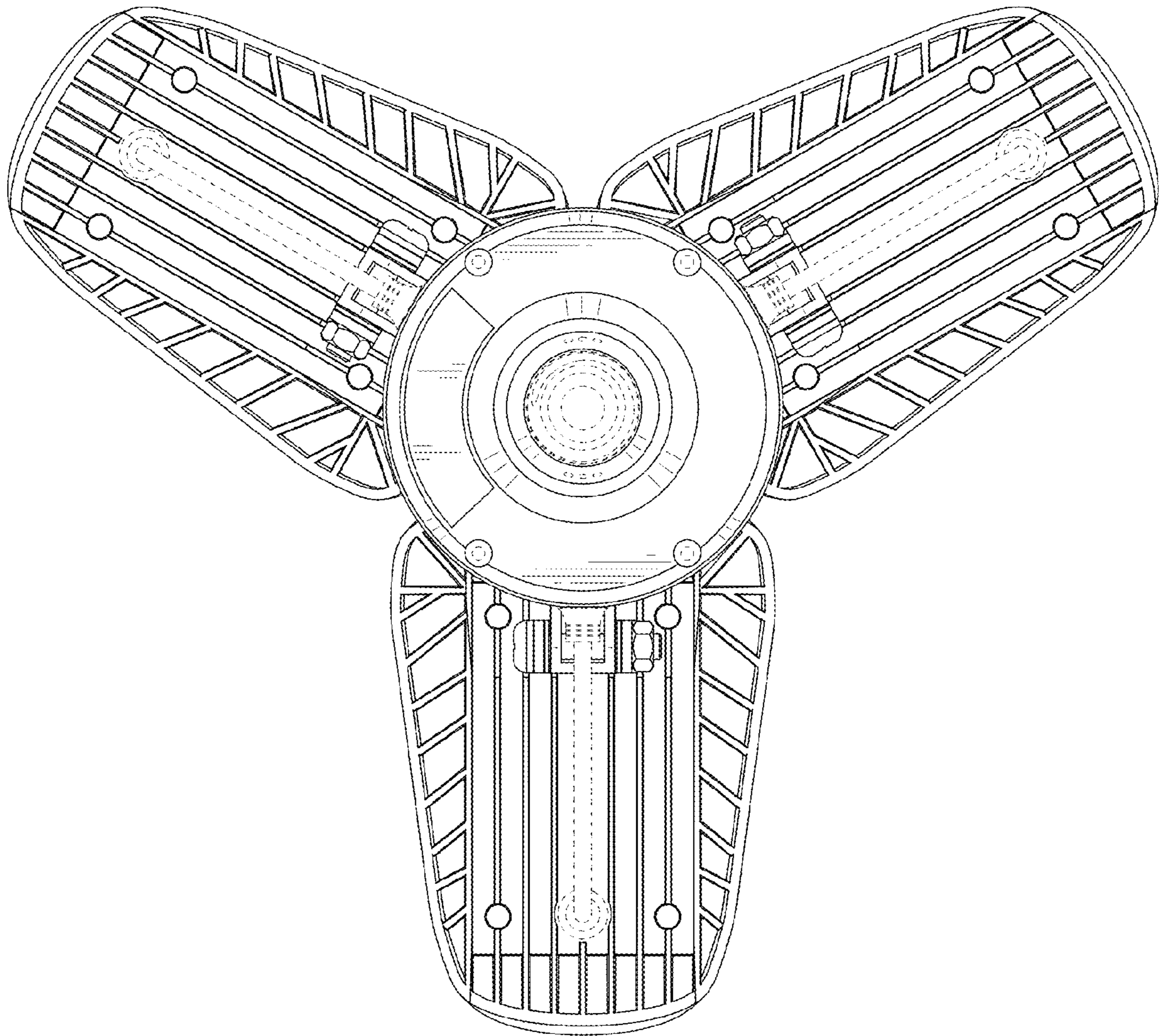


FIG. 7

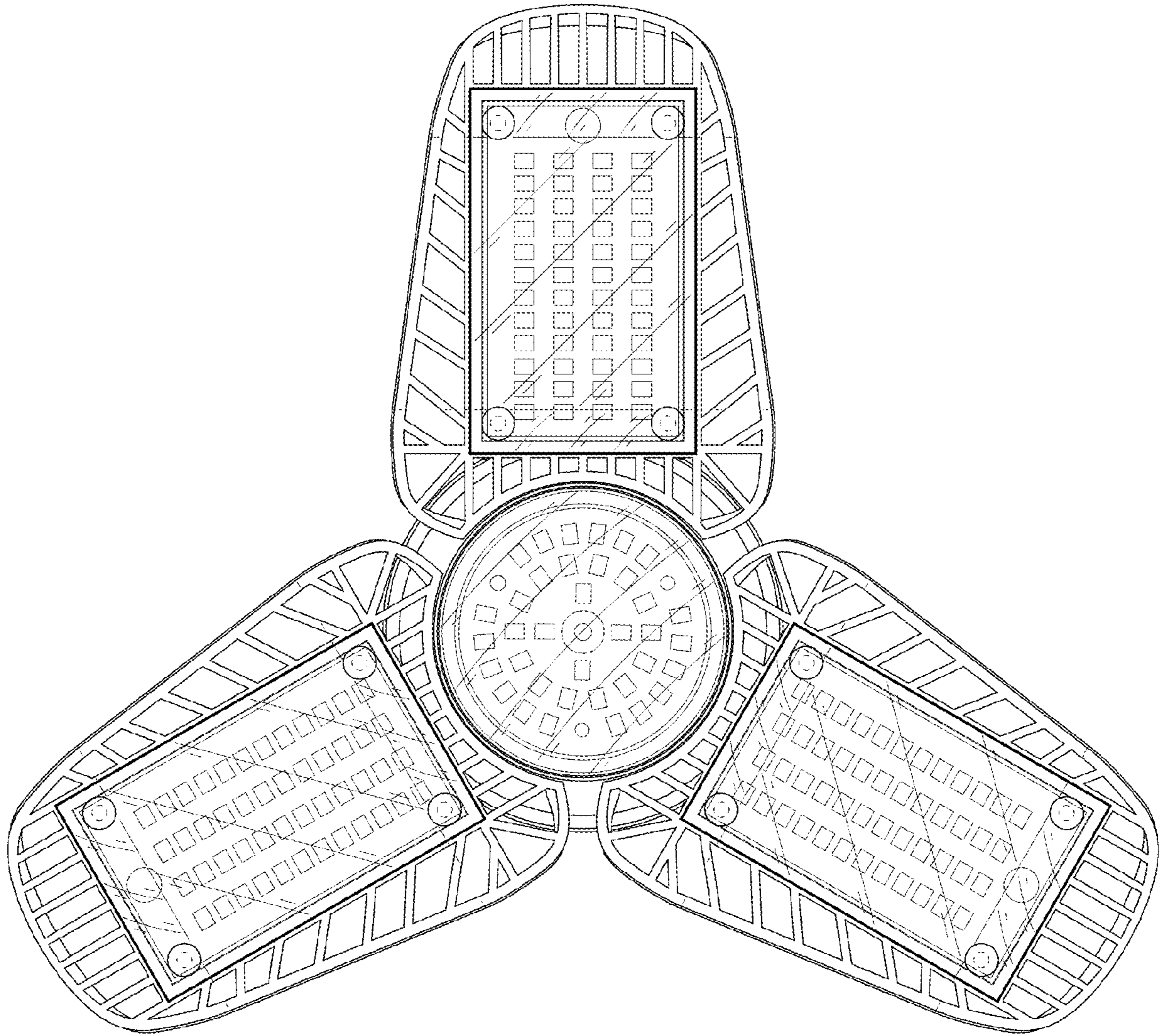


FIG. 8

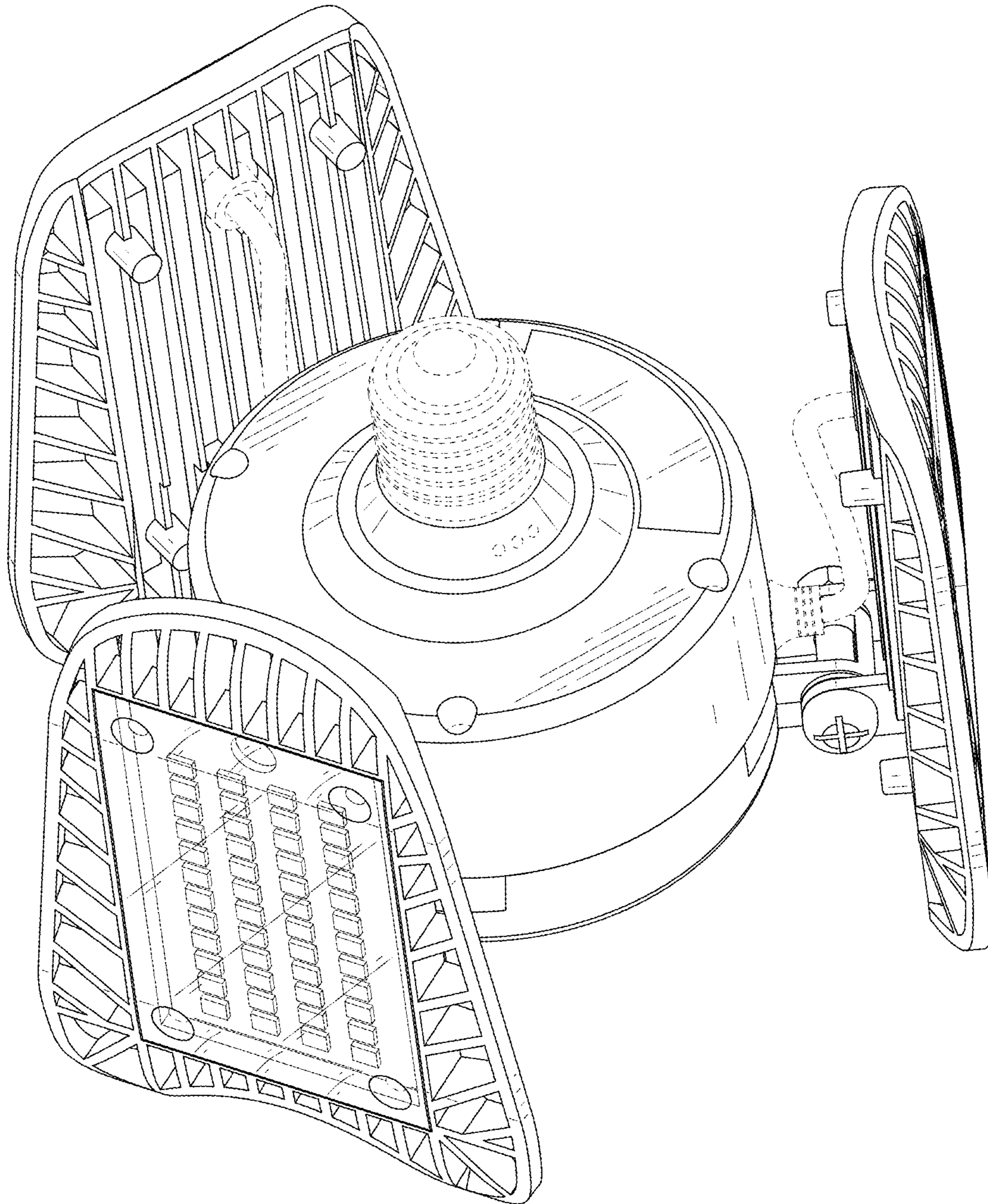


FIG. 9

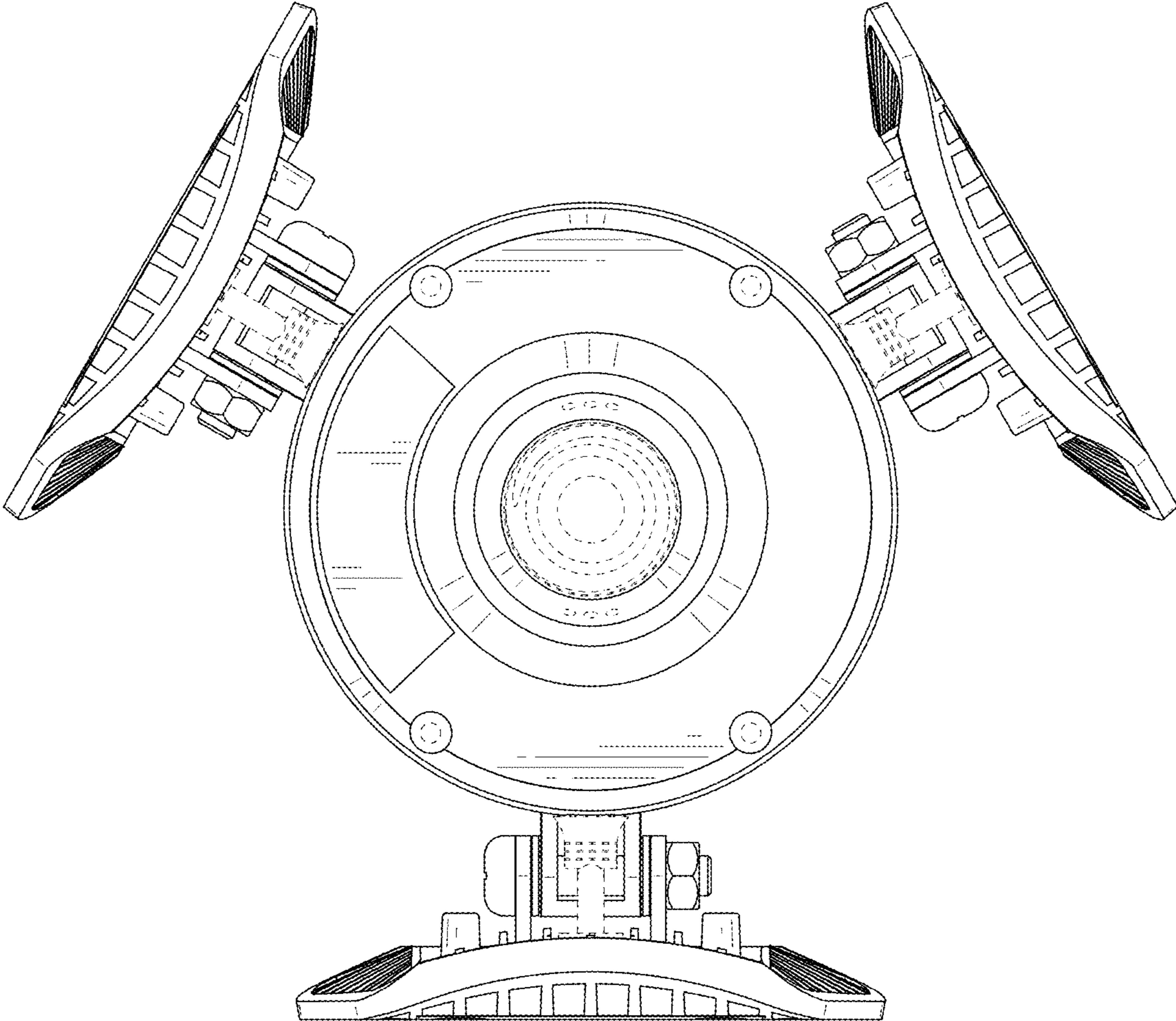


FIG. 10