



US00D916346S

(12) **United States Design Patent** (10) **Patent No.:** **US D916,346 S**  
**Sharp et al.** (45) **Date of Patent:** **\*\* Apr. 13, 2021**

- (54) **LIGHT FIXTURE**
- (71) Applicant: **Hunter Industries, Inc.**, San Marcos, CA (US)
- (72) Inventors: **Stephen A. Sharp**, San Diego, CA (US); **Thomas E. Veloskey**, San Marcos, CA (US)
- (73) Assignee: **Hunter Industries, Inc.**, San Marcos, CA (US)
- (\*\*) Term: **15 Years**
- (21) Appl. No.: **29/730,252**
- (22) Filed: **Apr. 2, 2020**

5,649,760 A 7/1997 Beadle  
 6,357,892 B1 3/2002 Beadle  
 6,422,717 B1 7/2002 Beadle  
 6,491,407 B1 12/2002 Beadle  
 6,612,720 B1 9/2003 Beadle  
 6,752,516 B1 6/2004 Beadle

(Continued)

**OTHER PUBLICATIONS**

UL1598 cover page and p. 13, dated Dec. 30, 2004.

*Primary Examiner* — Brian N. Vinson

(74) *Attorney, Agent, or Firm* — Knobbe Martens Olson & Bear, LLP

(57) **CLAIM**

The ornamental design for a light fixture, as shown and described.

**DESCRIPTION**

FIG. 1 illustrates a front, right, and bottom side perspective view of the light fixture embodying the new design; FIG. 2 illustrates a left side elevational view thereof; FIG. 3 illustrates a right side elevational view thereof; FIG. 4 illustrates a top plan view thereof; FIG. 5 illustrates a bottom plan view thereof; FIG. 6 illustrates a front side elevational view thereof; FIG. 7 illustrates a back side elevational view thereof; FIG. 8 illustrates a back, right, and top side perspective view thereof; and FIG. 9 illustrates a back, right, and bottom side perspective view thereof. FIG. 10 illustrates a front, left, bottom side perspective view of another embodiment of a light fixture, the light fixture being identical to the light fixture of FIGS. 1-9 with the addition of a shroud extending from the dot-dash boundary line; and, FIG. 11 illustrates a back, right, top side perspective view thereof.

**Related U.S. Application Data**

- (63) Continuation of application No. 16/395,044, filed on Apr. 25, 2019, now Pat. No. 10,612,755, which is a continuation of application No. 16/228,457, filed on Dec. 20, 2018, now Pat. No. 10,288,267, which is a continuation of application No. 15/011,137, filed on Jan. 29, 2016, now Pat. No. 10,197,252.

(51) **LOC (13) Cl.** ..... **26-03**

(52) **U.S. Cl.**  
USPC ..... **D26/63**

(58) **Field of Classification Search**  
 USPC ..... D26/1, 24, 61, 63, 65, 85, 92, 118  
 CPC ..... F21V 21/14; F21V 15/01; F21V 14/02;  
 F21V 21/30; F21V 21/00; F21V 14/00;  
 F21S 8/00; F21S 8/003; F21S 8/043;  
 F21Y 2105/001

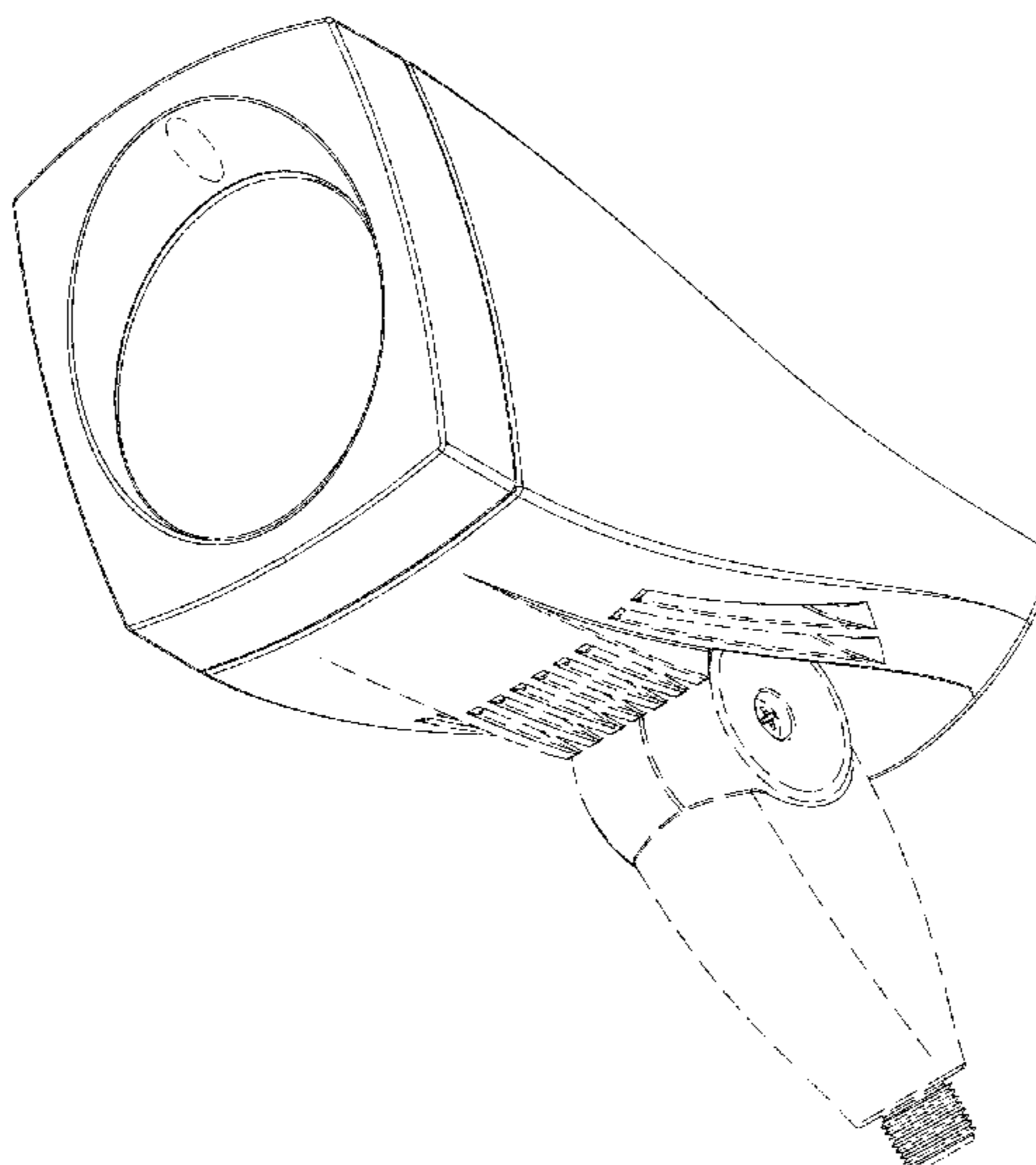
See application file for complete search history.

(56) **References Cited**

**U.S. PATENT DOCUMENTS**

D242,945 S \* 1/1977 Moore ..... D26/65  
 4,180,850 A 12/1979 Bivens  
 5,599,091 A 2/1997 Kira

**1 Claim, 6 Drawing Sheets**



(56)

**References Cited**

U.S. PATENT DOCUMENTS

6,779,907	B2	8/2004	Beadle	
6,786,622	B1 *	9/2004	Rice .....	B60Q 1/245 362/271
6,796,684	B1	9/2004	Beadle	
6,799,869	B1	10/2004	Beadle	
6,874,905	B1	4/2005	Beadle	
6,902,200	B1	6/2005	Beadle	
7,320,533	B1	1/2008	Beadle	
7,387,409	B1	6/2008	Beadle	
7,520,644	B2	4/2009	Jordan et al.	
7,712,925	B2	5/2010	Russell	
7,874,709	B1	1/2011	Beadle	
7,993,040	B2	8/2011	Beadle	
8,602,613	B2	12/2013	Pike et al.	
D849,297	S *	5/2019	Deng .....	D26/63
D855,231	S *	7/2019	Huang .....	D26/63
D882,142	S *	4/2020	Huang .....	D26/63
D900,372	S *	10/2020	Peng .....	D26/63
2001/0014021	A1	8/2001	Duff et al.	
2005/0174774	A1	8/2005	Lunt	
2009/0040774	A1	2/2009	Avila et al.	
2009/0154164	A1	6/2009	Hsu et al.	
2011/0255293	A1	10/2011	Lipscomb et al.	

\* cited by examiner

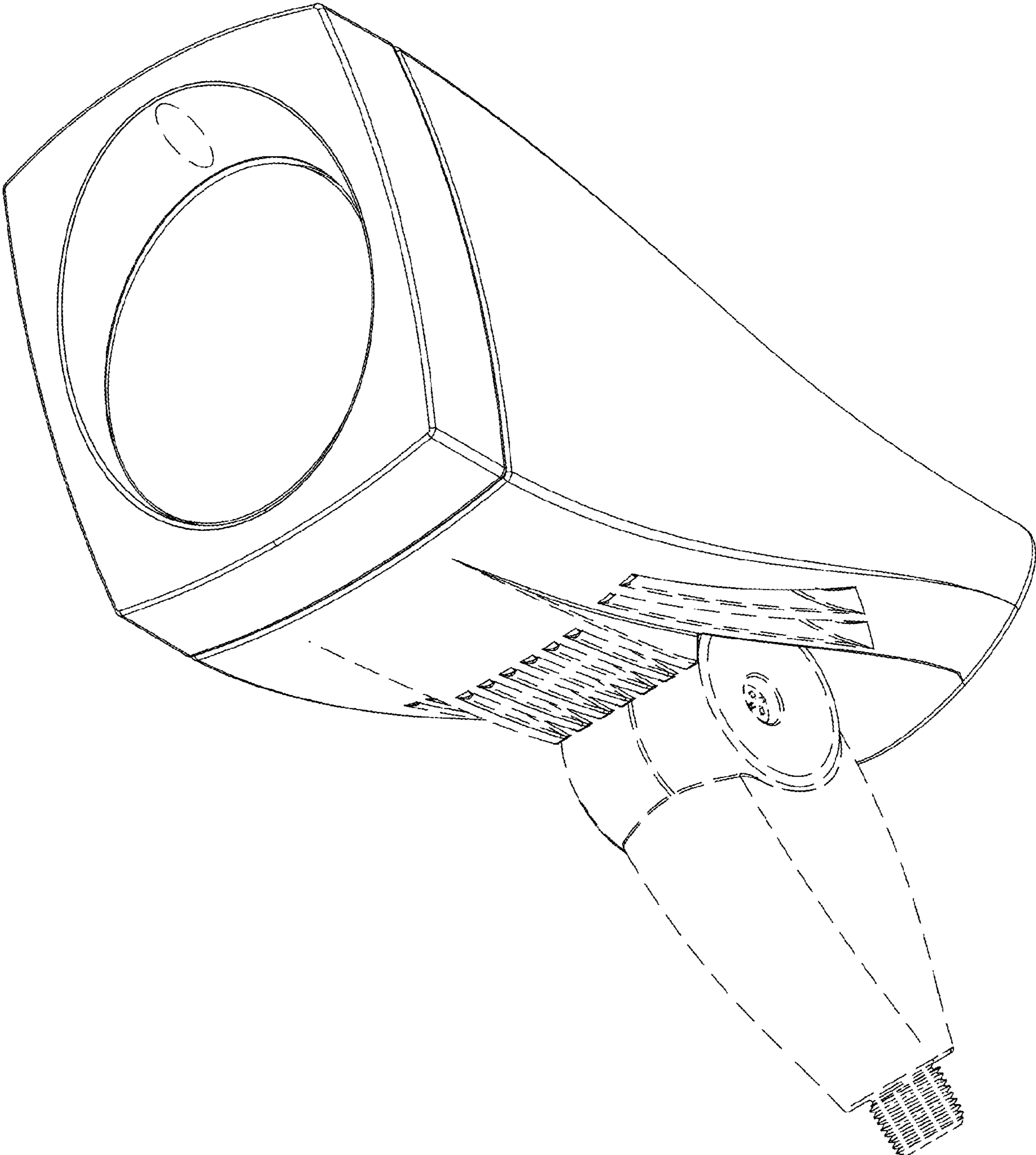


FIG. 1

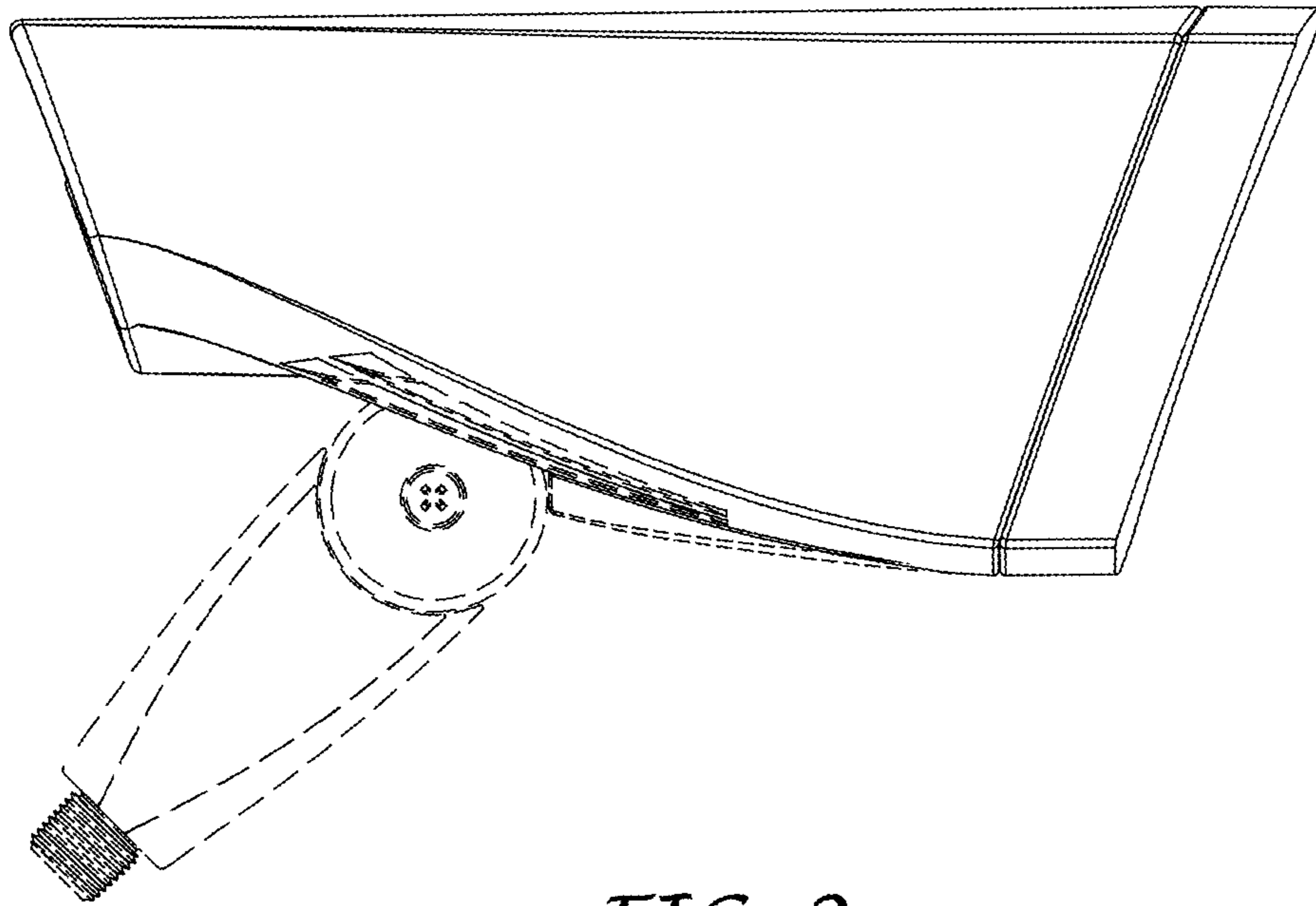


FIG. 2

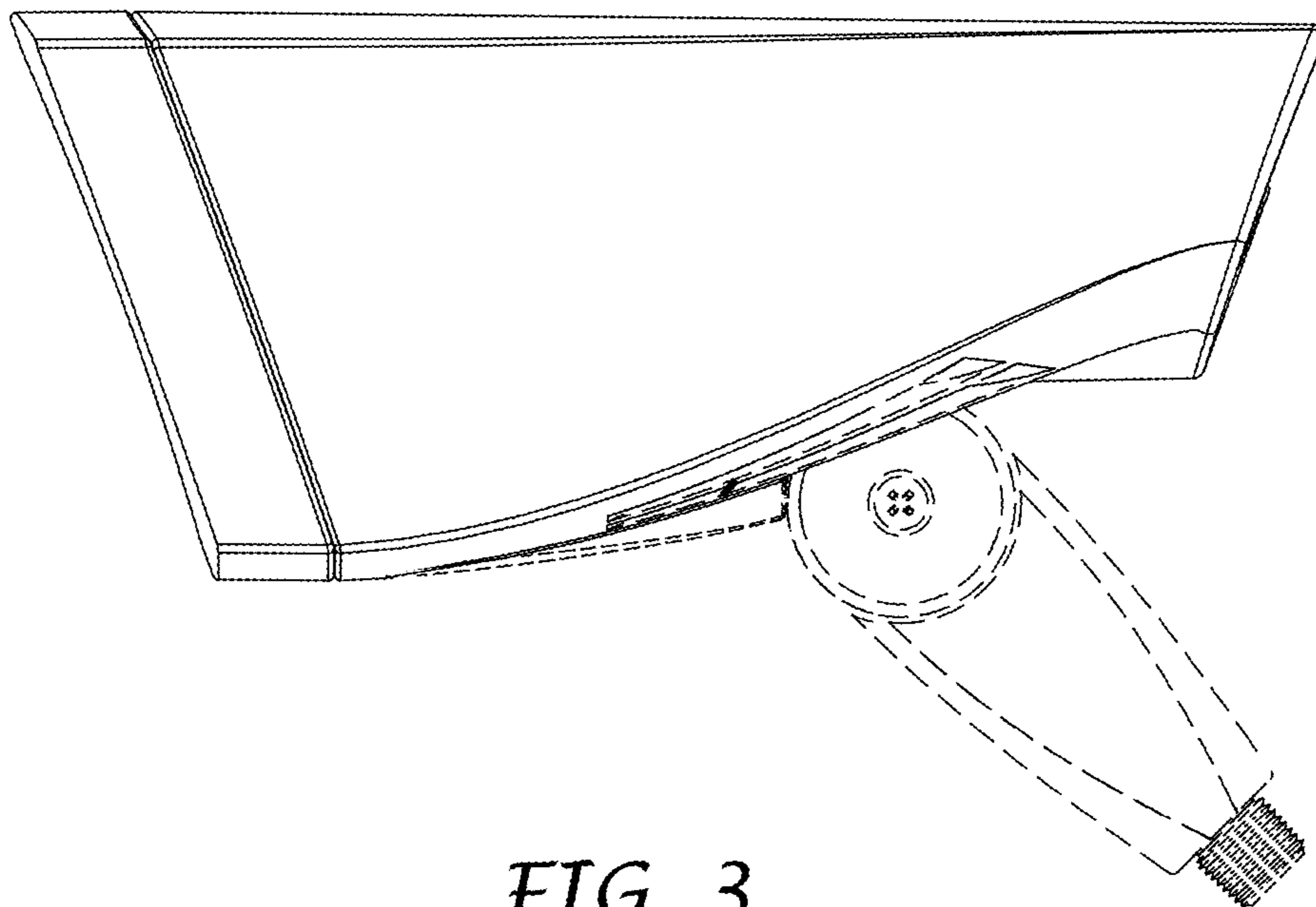


FIG. 3

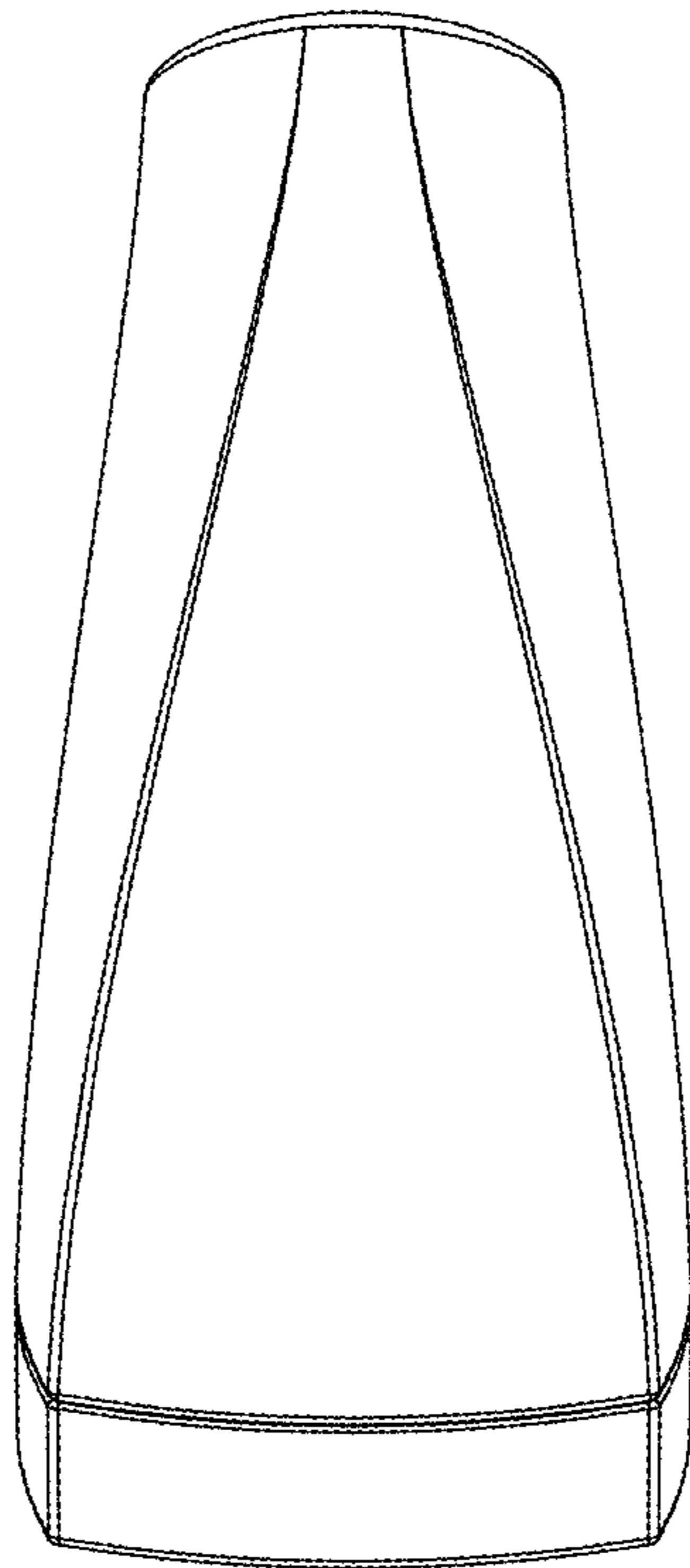


FIG. 4

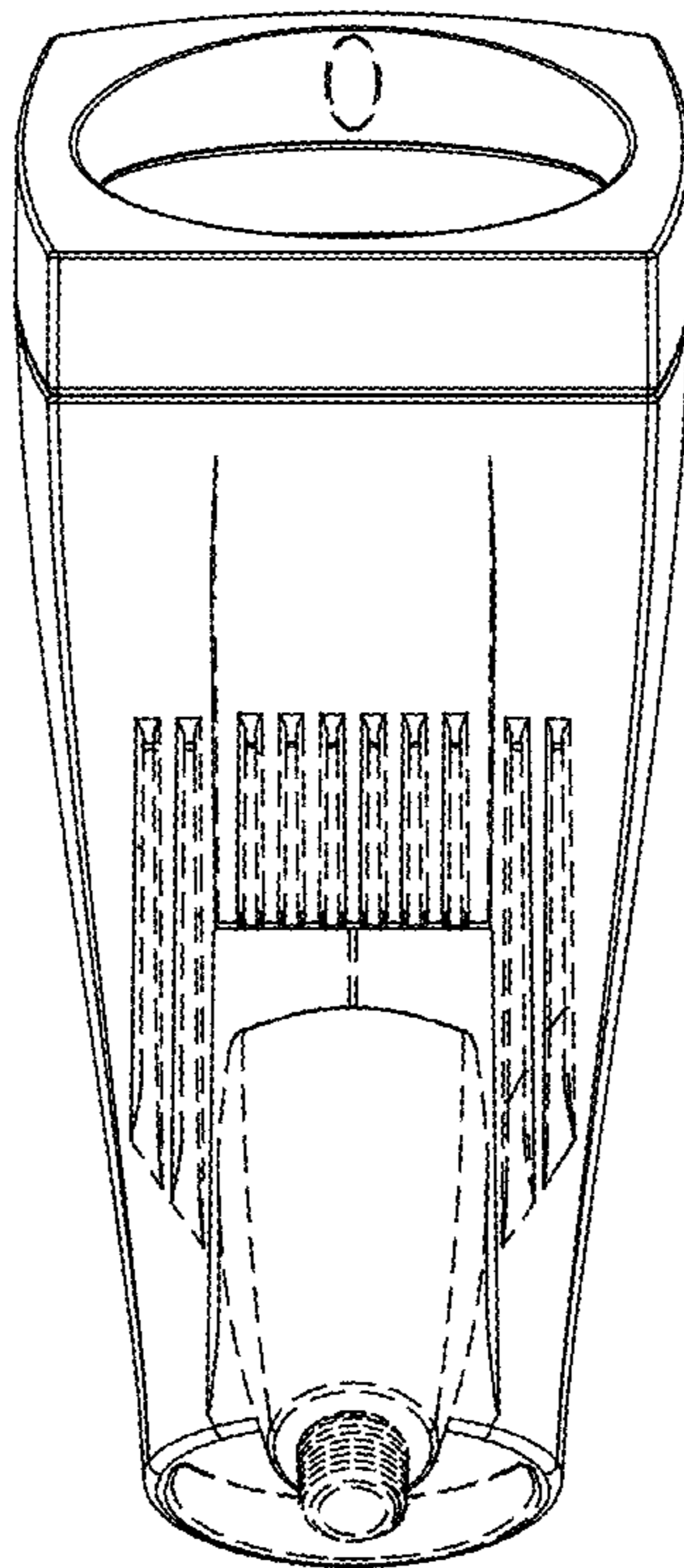


FIG. 5

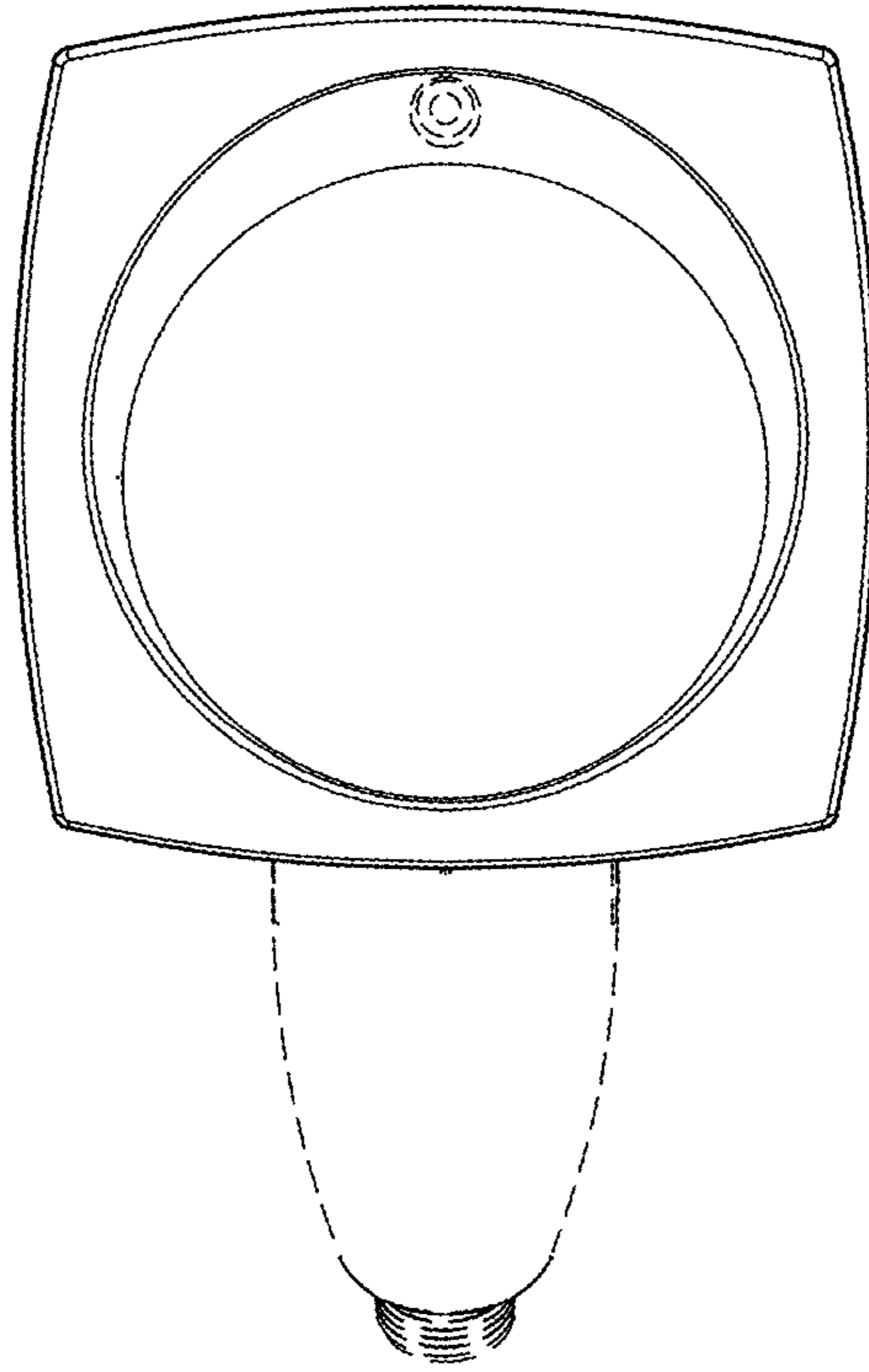


FIG. 6

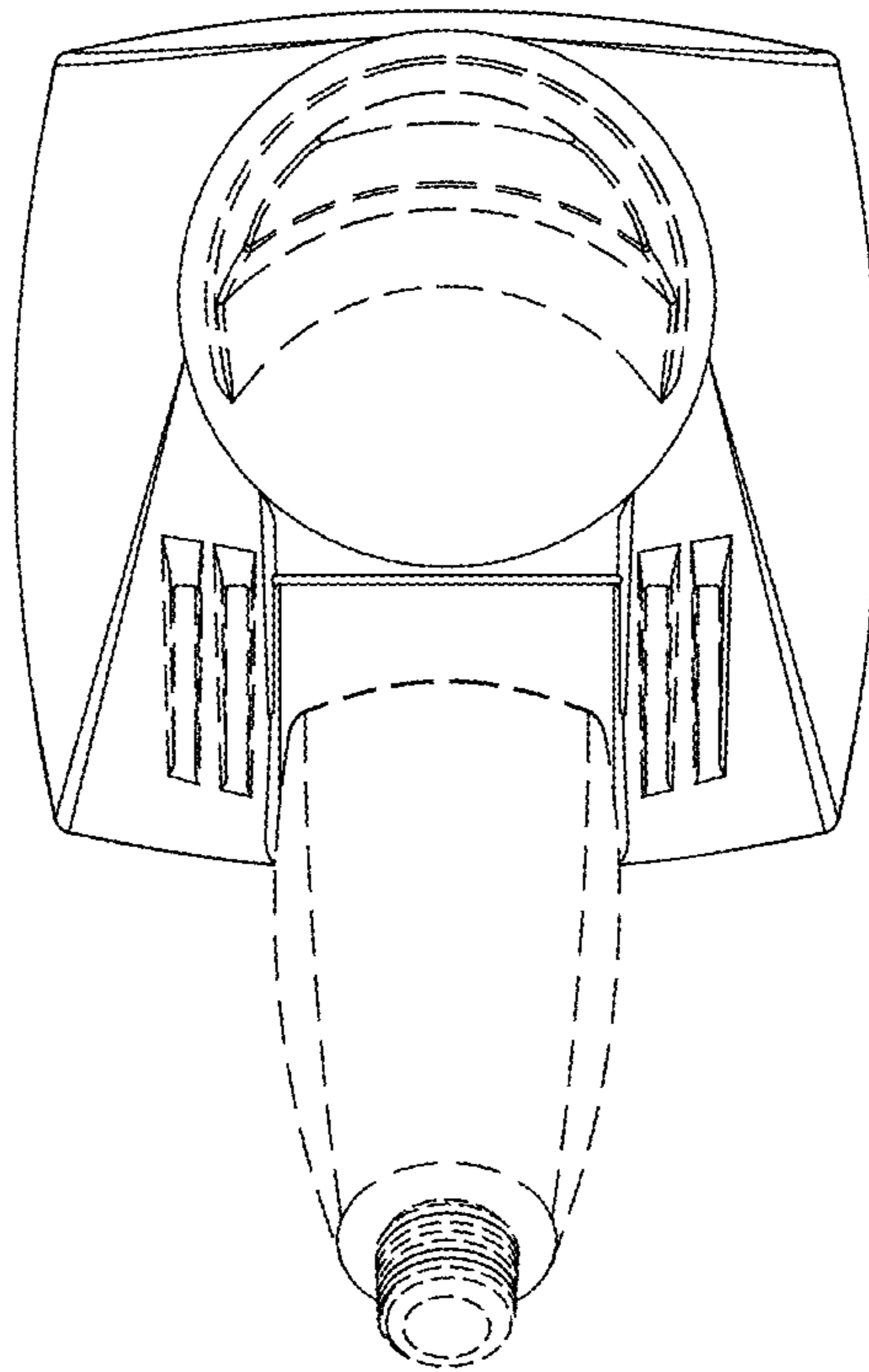


FIG. 7

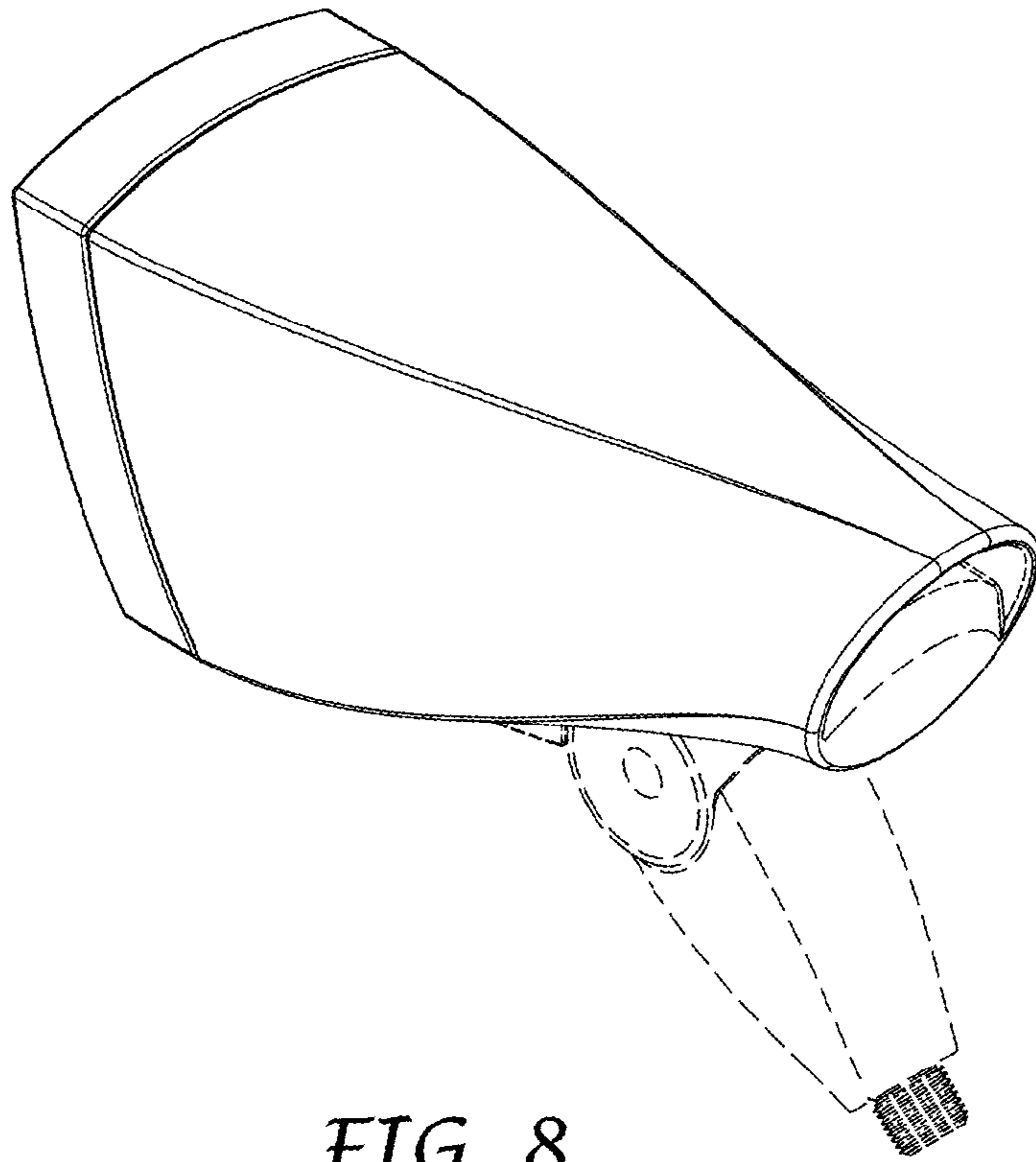


FIG. 8

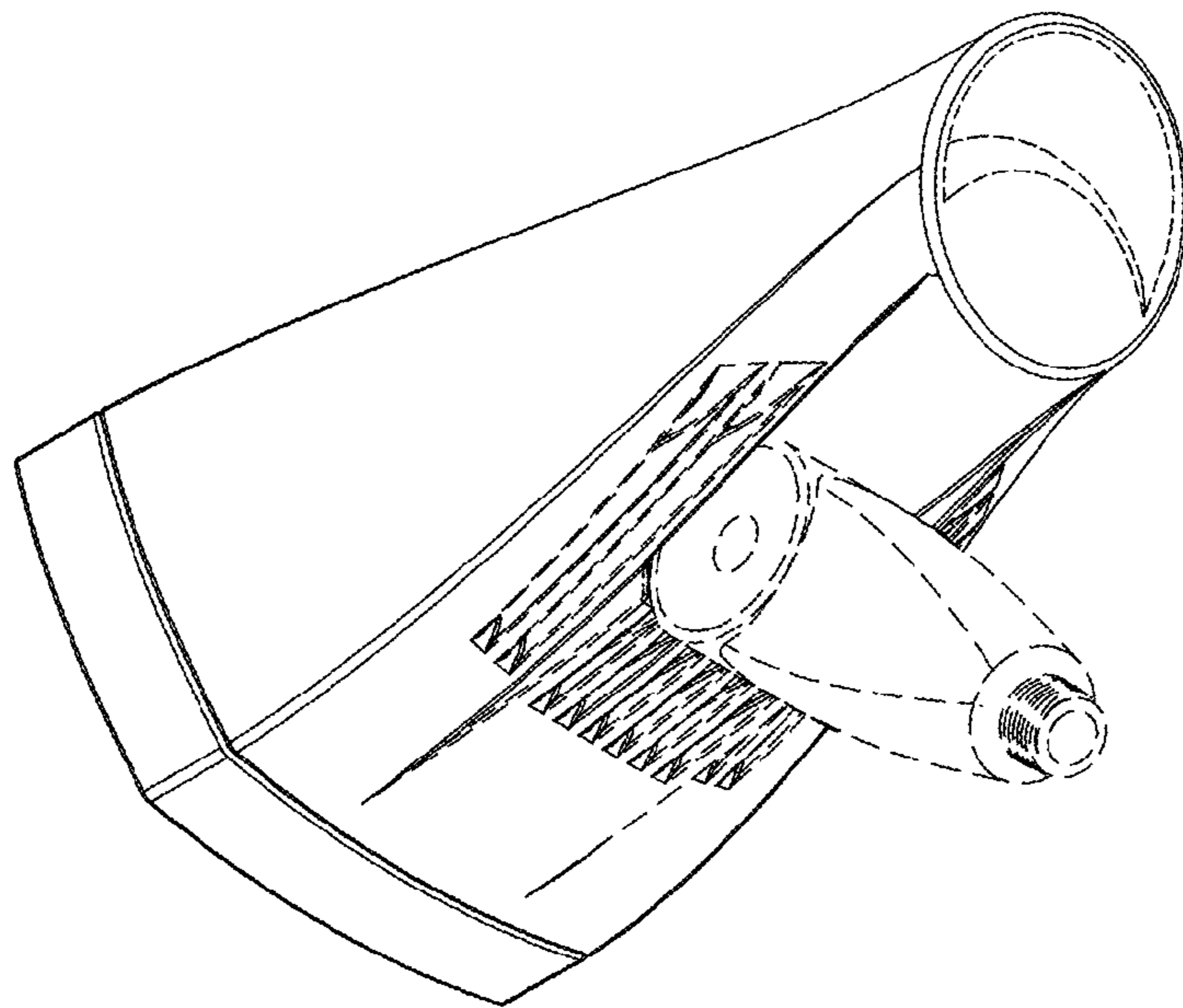


FIG. 9

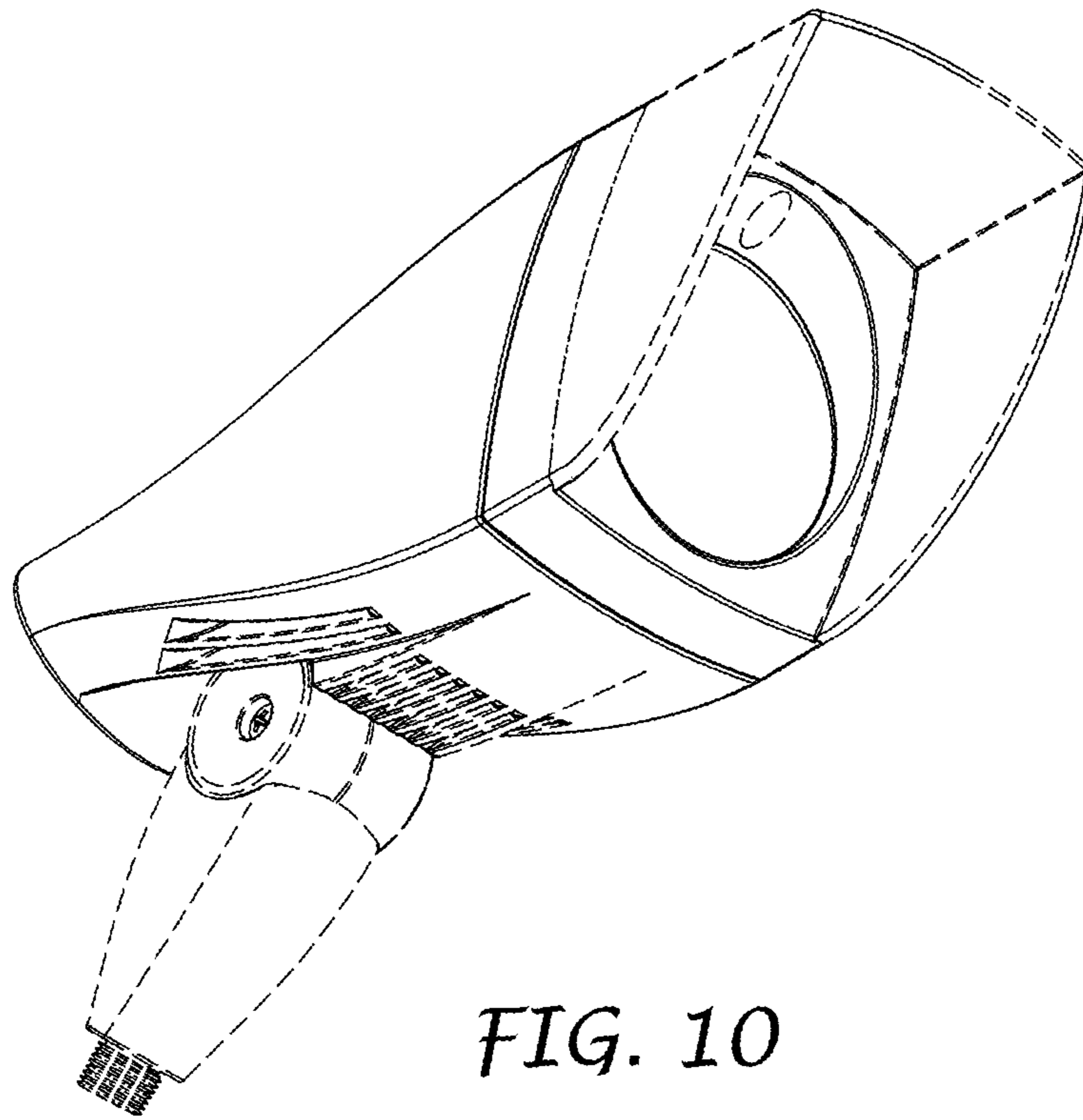


FIG. 10

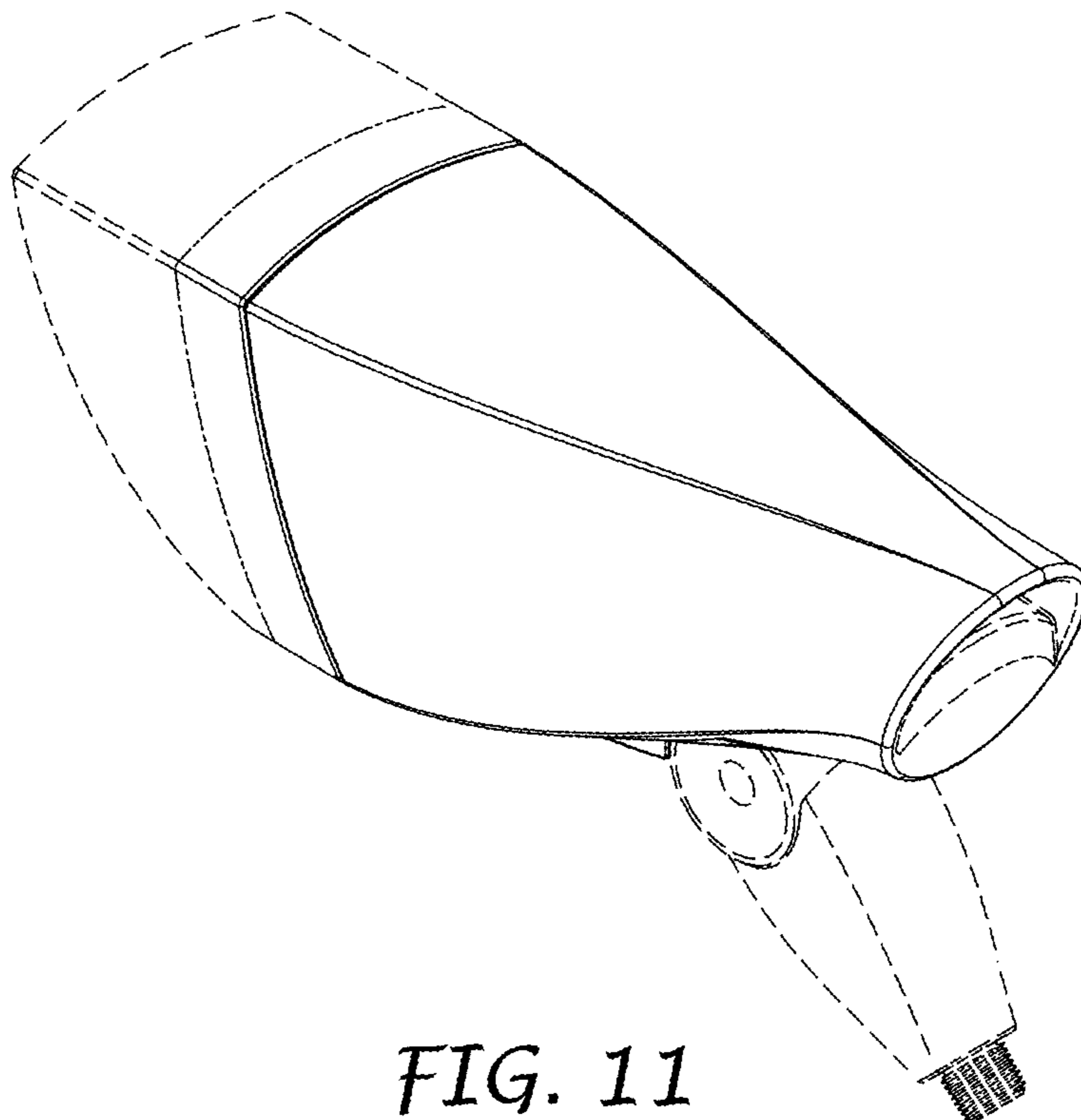


FIG. 11