



US00D916345S

(12) **United States Design Patent**  
**Zou**

(10) **Patent No.:** **US D916,345 S**  
(45) **Date of Patent:** **\*\* Apr. 13, 2021**

(54) **SOLAR LIGHT**

(71) Applicant: **SHENZHEN MORSEN LIGHTING TECHNOLOGY CO., LTD.**, Shenzhen (CN)

(72) Inventor: **Chen Zou**, Shenzhen (CN)

(73) Assignee: **SHENZHEN MORSEN LIGHTING TECHNOLOGY CO., LTD.**, Shenzhen (CN)

(\*\*) Term: **15 Years**

(21) Appl. No.: **29/716,757**

(22) Filed: **Dec. 11, 2019**

(51) **LOC (13) Cl.** ..... **26-03**

(52) **U.S. Cl.**  
USPC ..... **D26/63**

(58) **Field of Classification Search**  
USPC ..... D26/24, 60-71, 85, 92, 113, 118, 119  
CPC ..... F21V 21/14; F21V 15/01; F21V 14/02;  
F21V 21/30; F21V 14/00; F21Y  
2105/001; F21S 8/00  
See application file for complete search history.

(56) **References Cited**

**U.S. PATENT DOCUMENTS**

D859,718 S \* 9/2019 Groat ..... D26/63  
D868,330 S \* 11/2019 Ji ..... D26/63

D874,703 S \* 2/2020 Wu ..... D26/63  
D882,847 S \* 4/2020 Chami ..... D26/63  
D886,362 S \* 6/2020 Chami ..... D26/63  
D887,075 S \* 6/2020 Chami ..... D26/63  
D893,090 S \* 8/2020 McClow ..... D26/63  
2017/0198887 A1 \* 7/2017 Veloskey ..... F21V 17/02  
2020/0191366 A1 \* 6/2020 Mullen ..... F21V 21/0824

\* cited by examiner

*Primary Examiner* — Brian N. Vinson

(74) *Attorney, Agent, or Firm* — Law Offices of Steven W. Weinrieb

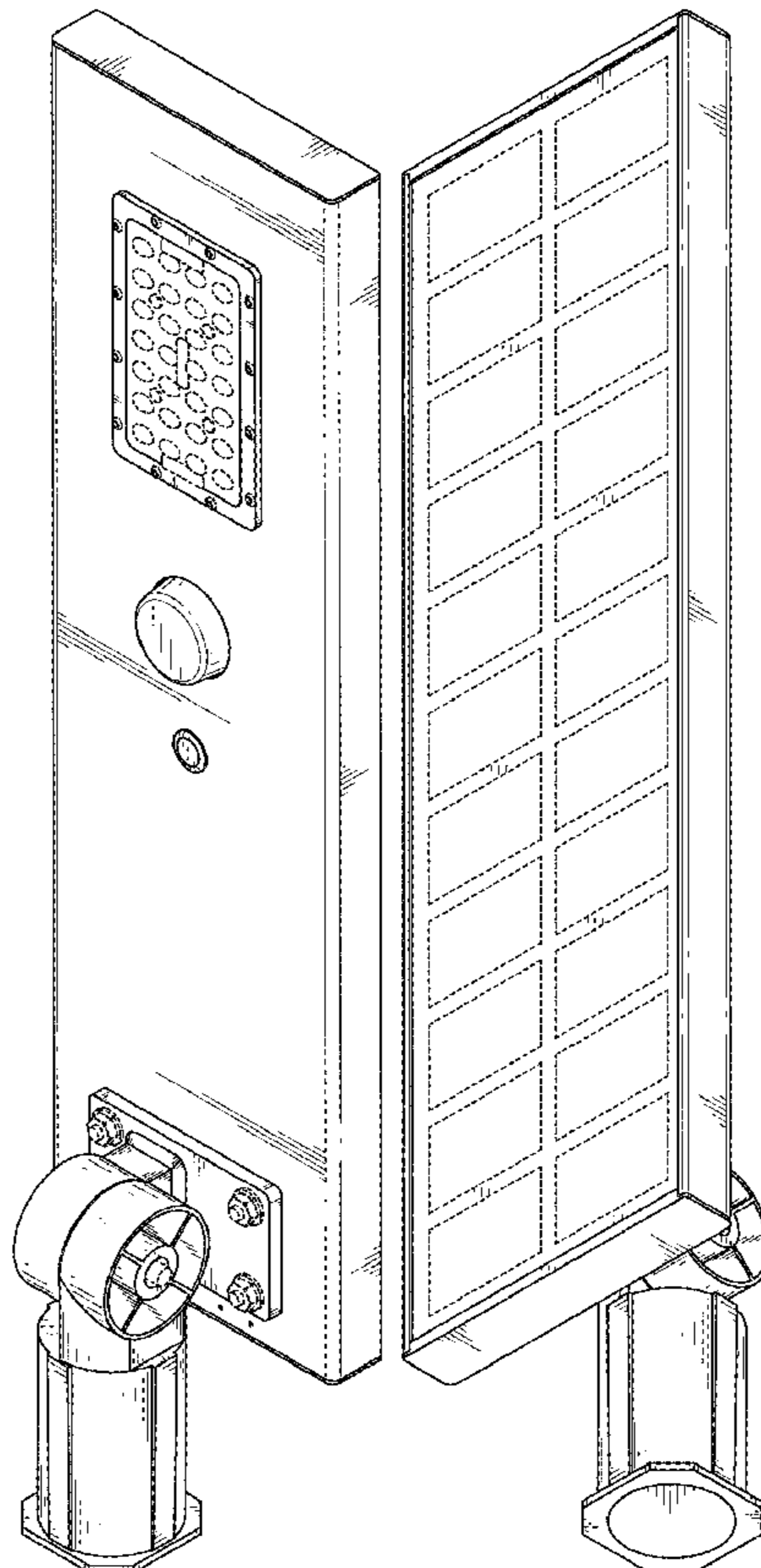
(57) **CLAIM**

The ornamental design for a solar light, as shown and described.

**DESCRIPTION**

FIG. 1 is a front, right side, top perspective view of a solar light showing my new design;  
FIG. 2 is a rear, left side, bottom perspective view thereof;  
FIG. 3 is a front elevational view thereof;  
FIG. 4 is a rear elevational view thereof;  
FIG. 5 is a left side elevational view thereof;  
FIG. 6 is a right side elevational view thereof;  
FIG. 7 is a top plan view thereof; and,  
FIG. 8 is a bottom plan view thereof.  
The broken lines depict portions of the solar light which form no part of the claimed design.

**1 Claim, 8 Drawing Sheets**



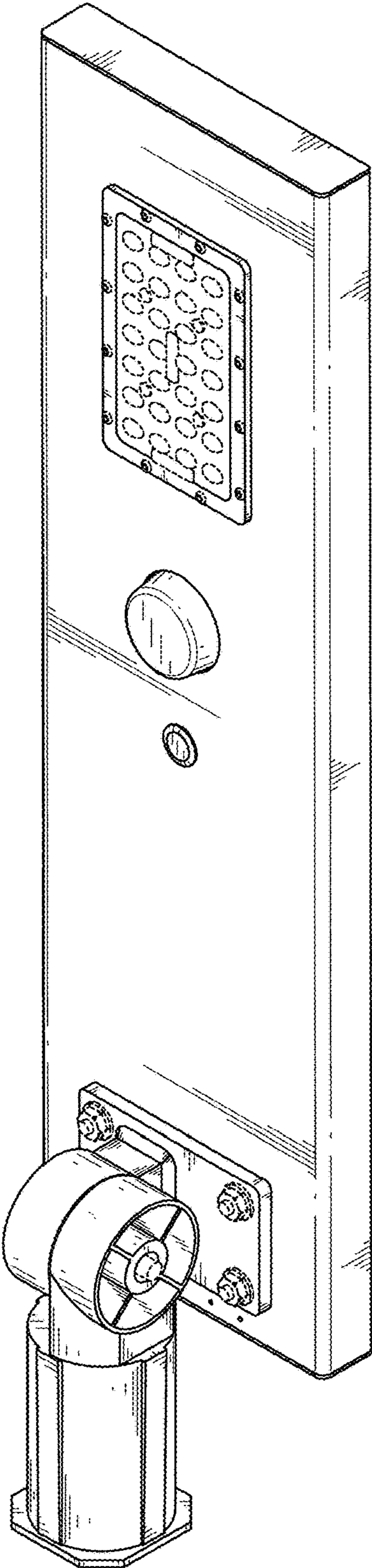


FIG. 1

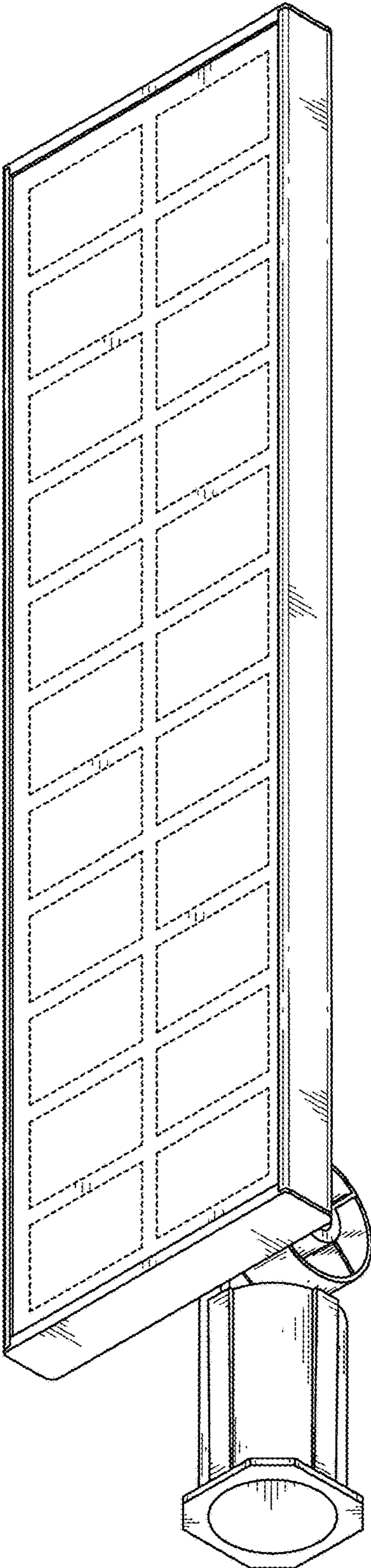


FIG. 2

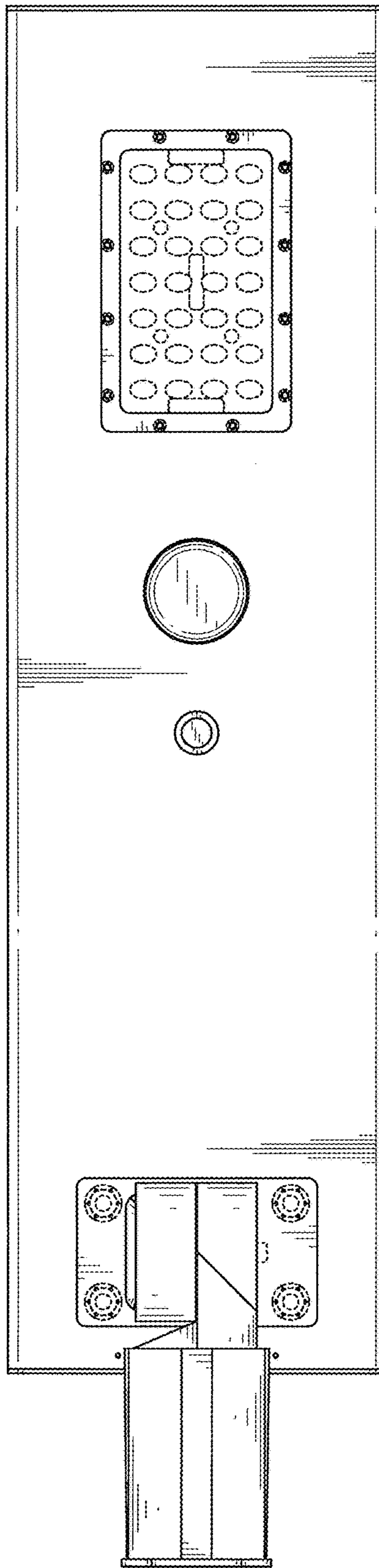


FIG. 3

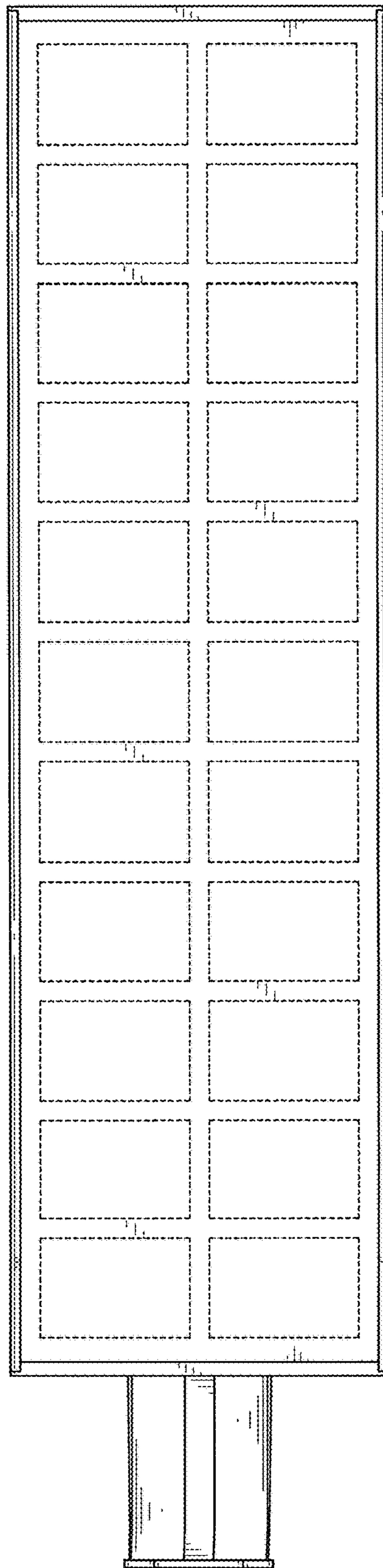


FIG. 4

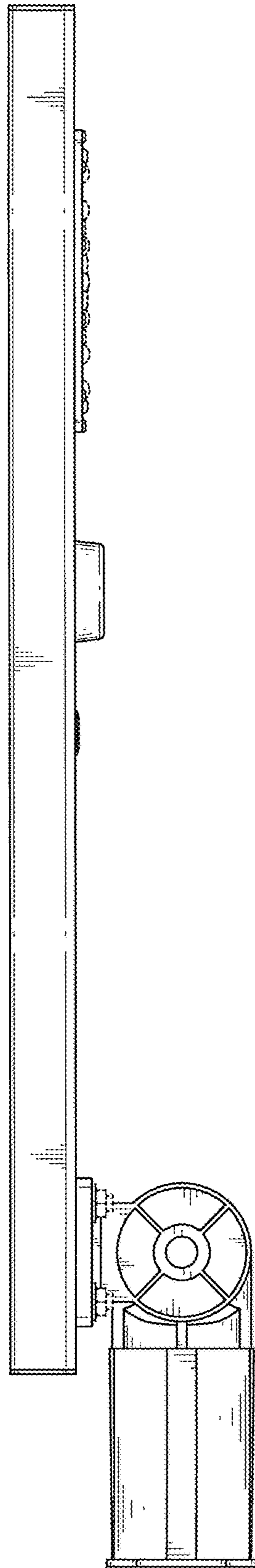


FIG. 5

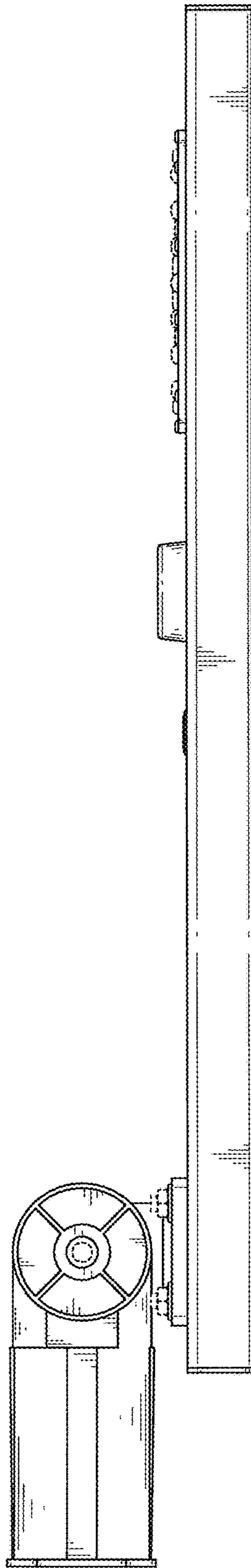


FIG. 6

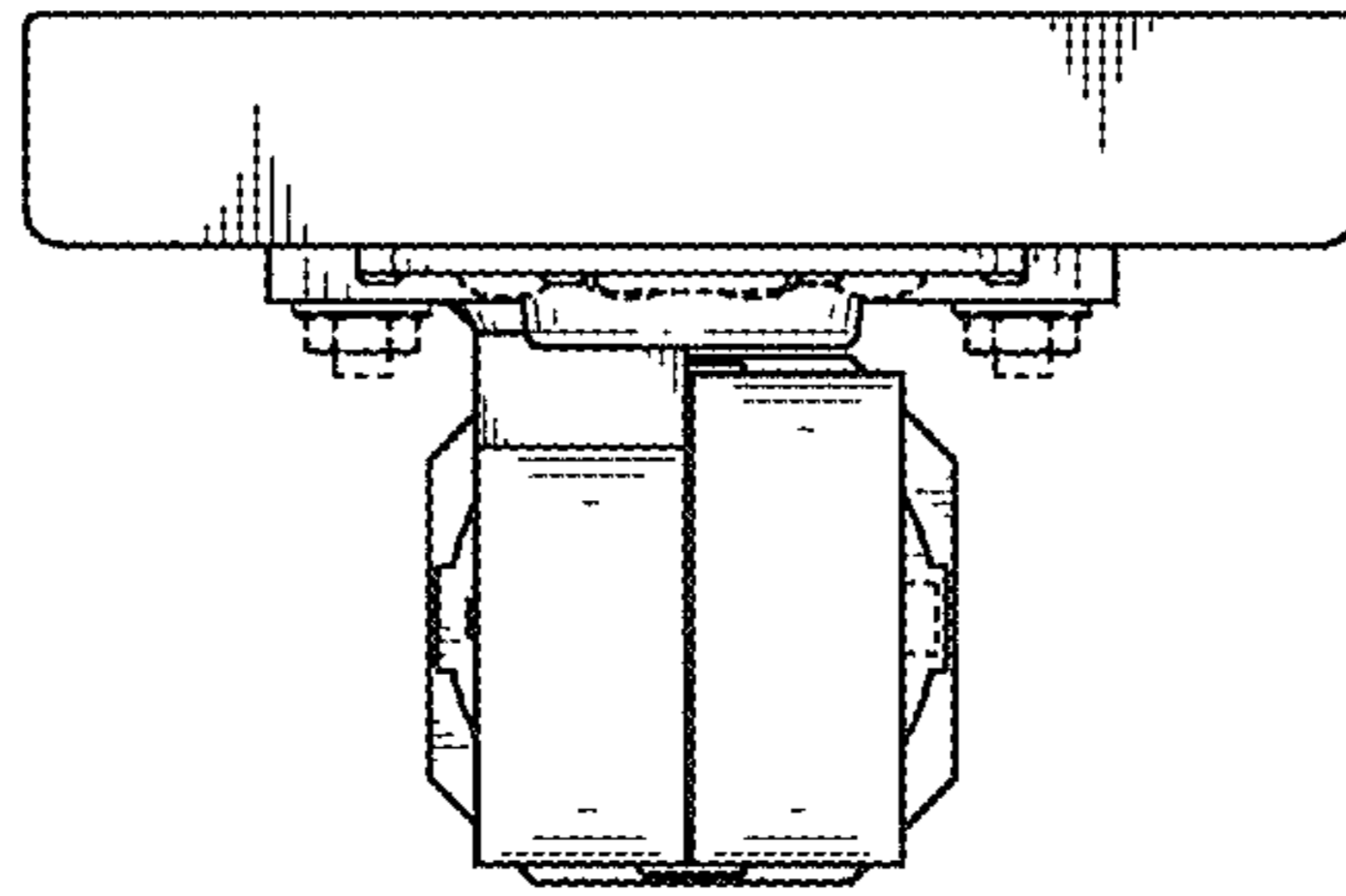


FIG. 7



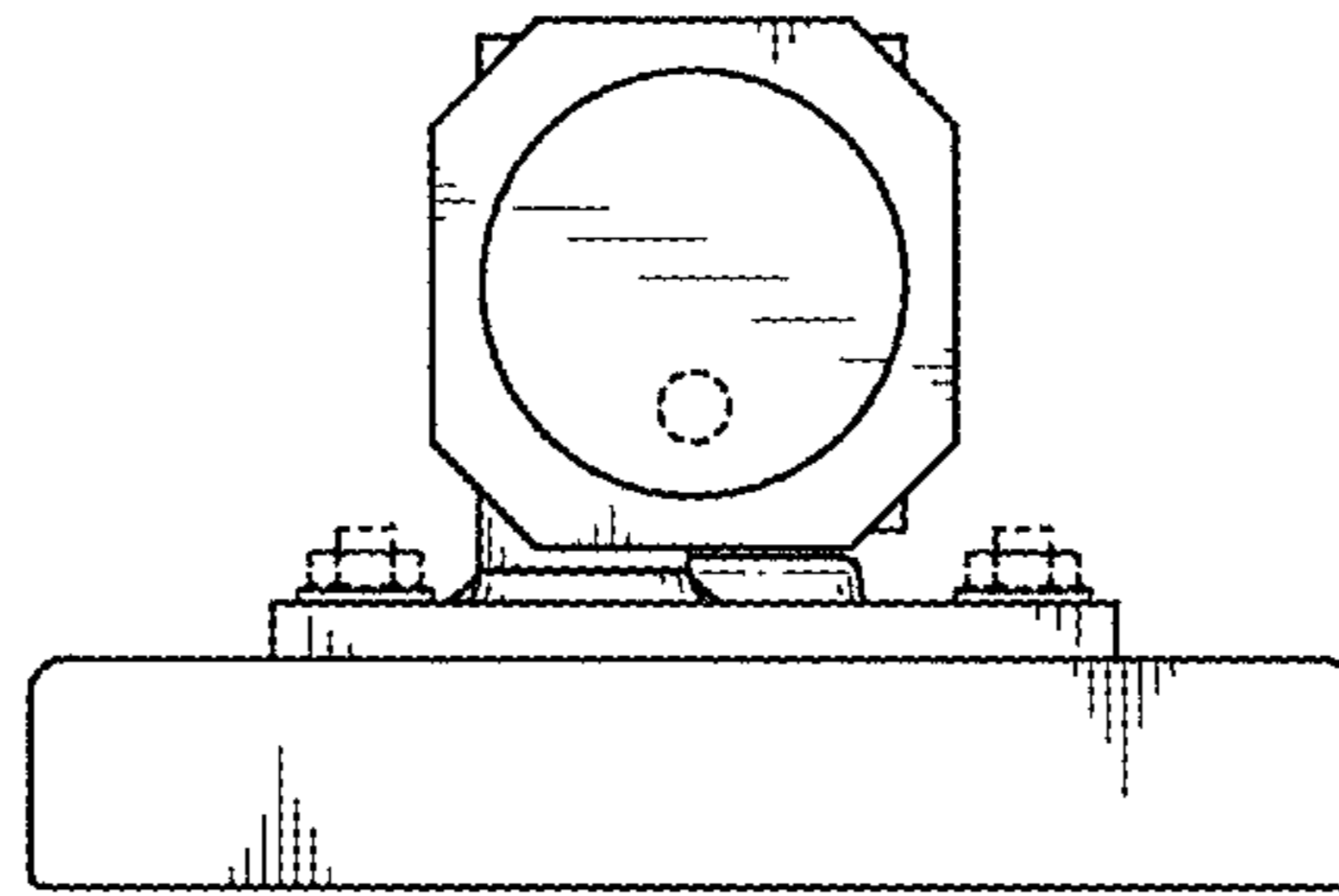


FIG. 8