



US00D916344S

(12) **United States Design Patent** (10) **Patent No.:** **US D916,344 S**
Wu (45) **Date of Patent:** **** Apr. 13, 2021**

(54) **LIGHTING FIXTURE**

2017/0198887 A1* 7/2017 Veloskey F21V 17/02
2020/0191366 A1* 6/2020 Mullen F21V 21/0824

(71) Applicant: **Huizhou Hanxing Optoelectronic Co., Ltd.**, Huizhou (CN)

* cited by examiner

(72) Inventor: **Hongge Wu**, Huizhou (CN)

Primary Examiner — Brian N. Vinson

(73) Assignee: **LEDTURE PTE. LTD.**, Singapore (SG)

(74) *Attorney, Agent, or Firm* — Hemisphere Law, PLLC; Zhigang Ma

(**) Term: **15 Years**

(57) **CLAIM**

I claim the ornamental design for a lighting fixture, as shown and described.

(21) Appl. No.: **29/694,873**

DESCRIPTION

(22) Filed: **Jun. 13, 2019**

(30) **Foreign Application Priority Data**

May 31, 2019 (CN) 201930279374.5

(51) **LOC (13) Cl.** **26-03**

(52) **U.S. Cl.**
USPC **D26/63**

(58) **Field of Classification Search**
USPC D26/24, 60–71, 85, 92, 113, 118, 119
CPC F21V 21/14; F21V 15/01; F21V 14/02;
F21V 21/30; F21V 14/00; F21Y
2105/001; F21S 8/00

See application file for complete search history.

(56) **References Cited**

U.S. PATENT DOCUMENTS

D859,718 S *	9/2019	Groat	D26/63
D868,330 S *	11/2019	Ji	D26/63
D874,703 S *	2/2020	Wu	D26/63
D882,847 S *	4/2020	Chami	D26/63
D886,362 S *	6/2020	Chami	D26/63
D887,075 S *	6/2020	Chami	D26/63
D893,090 S *	8/2020	McClow	D26/63

FIG. 1 is a front, right side, reduced perspective view of a lighting fixture showing my new, original and ornamental design;

FIG. 2 is an enlarged view of a part 2 of the lighting fixture in FIG. 1;

FIG. 3 is a back, top, left side perspective view thereof;

FIG. 4 is an enlarged view of a part 4 of the lighting fixture in FIG. 3;

FIG. 5 is a back, bottom, right side perspective view thereof;

FIG. 6 is an enlarged view of a part 6 of the lighting fixture in FIG. 5;

FIG. 7 is an enlarged view of a part 7 of the lighting fixture in FIG. 5;

FIG. 8 is a front elevational view thereof;

FIG. 9 is an enlarged view of a part 9 of the lighting fixture in FIG. 8;

FIG. 10 is a rear elevational view thereof;

FIG. 11 is a left side elevational view thereof;

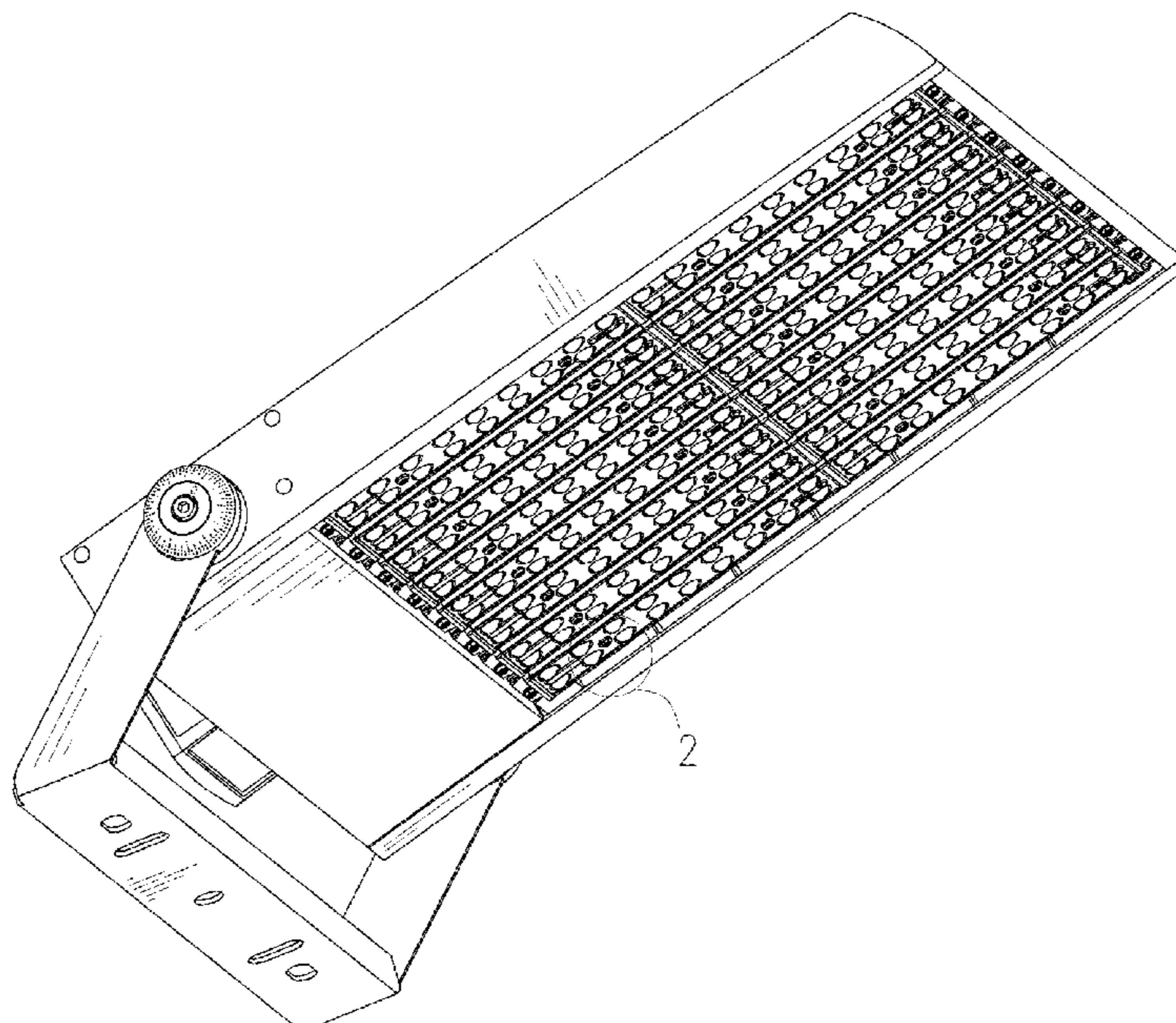
FIG. 12 is a right side elevational view thereof;

FIG. 13 is a top plan view thereof; and,

FIG. 14 is a bottom plan view thereof.

The broken lines are employed to illustrate environmental structures and form no part of the claim.

1 Claim, 12 Drawing Sheets



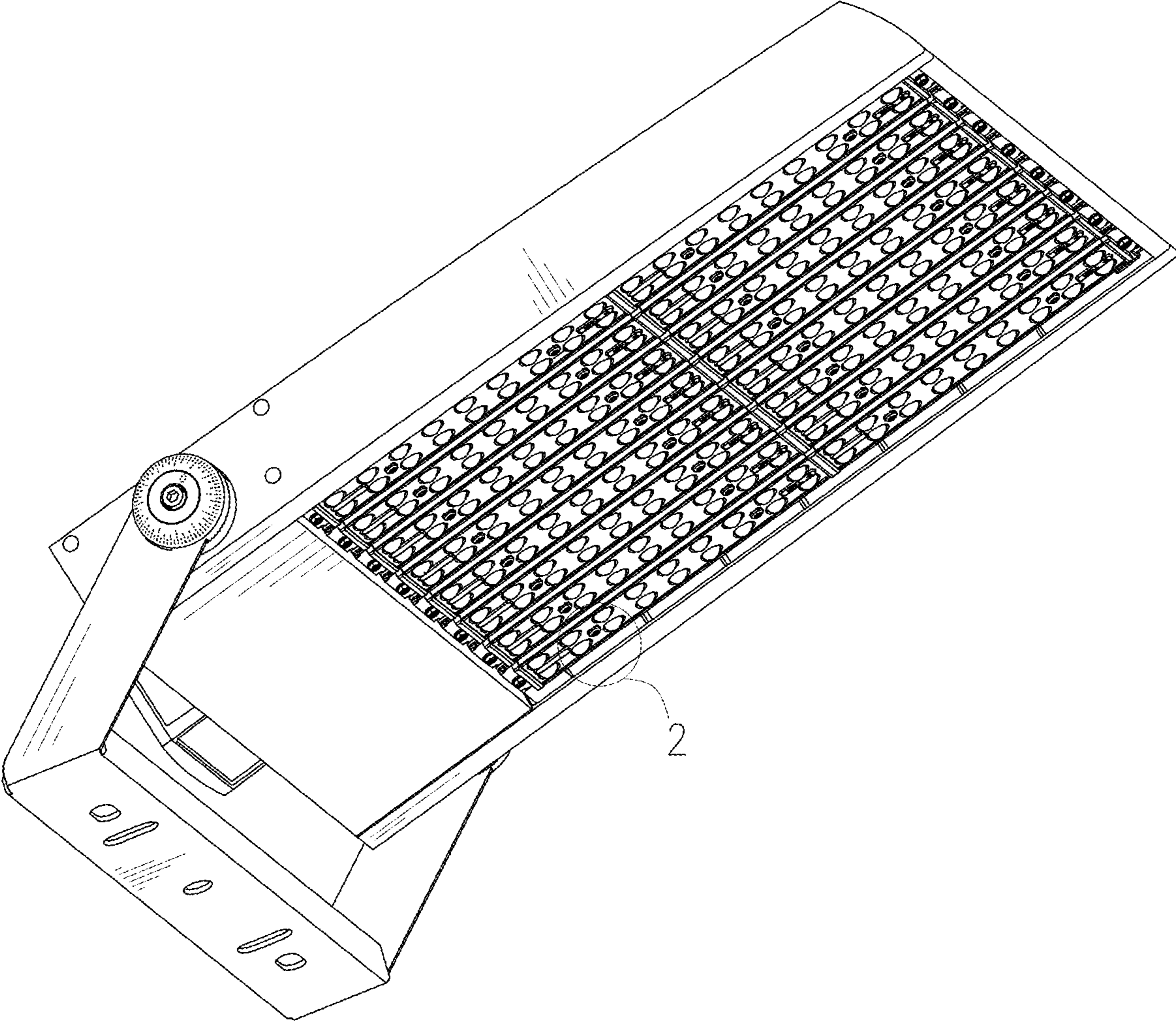


FIG. 1

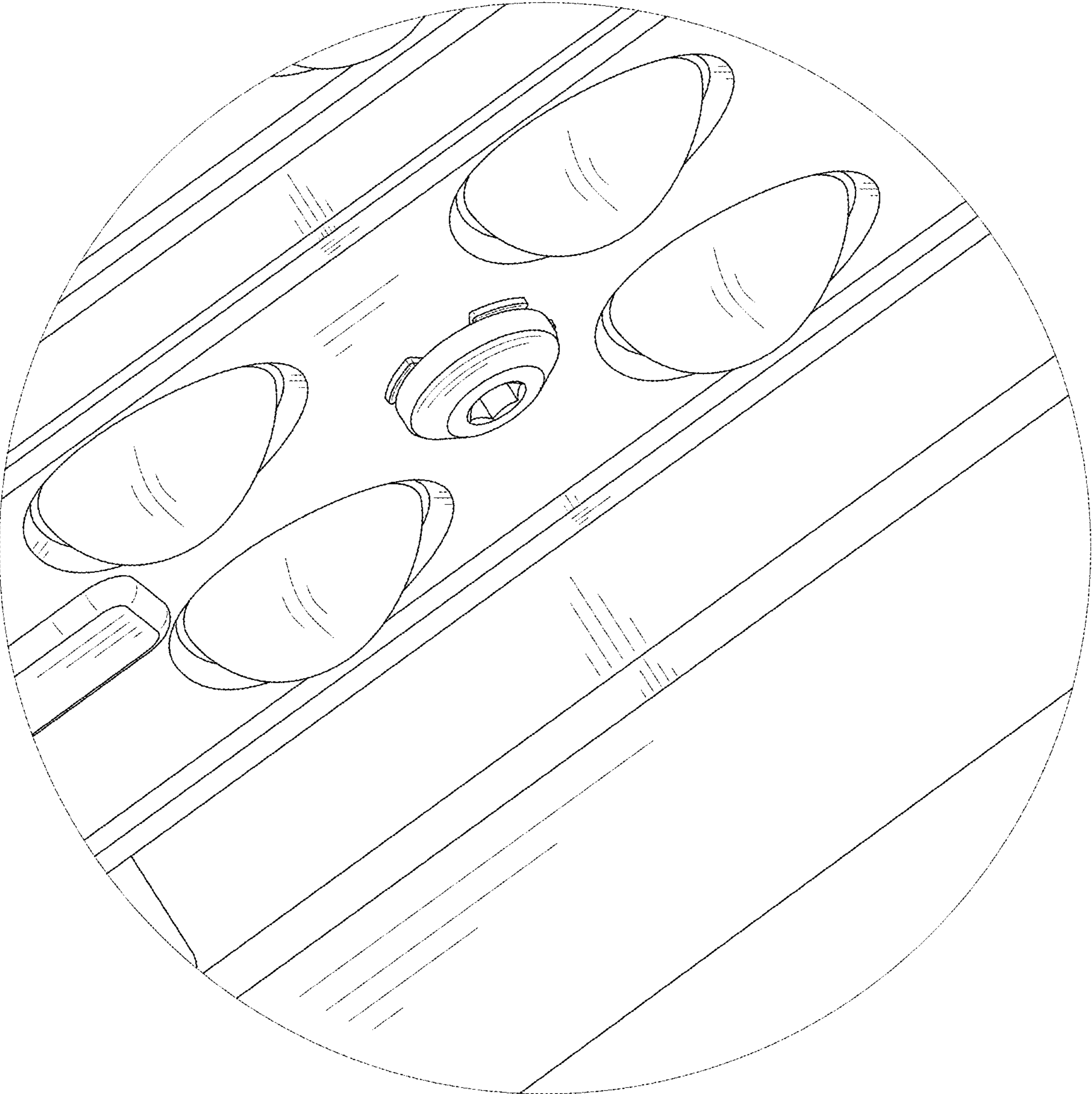


FIG. 2

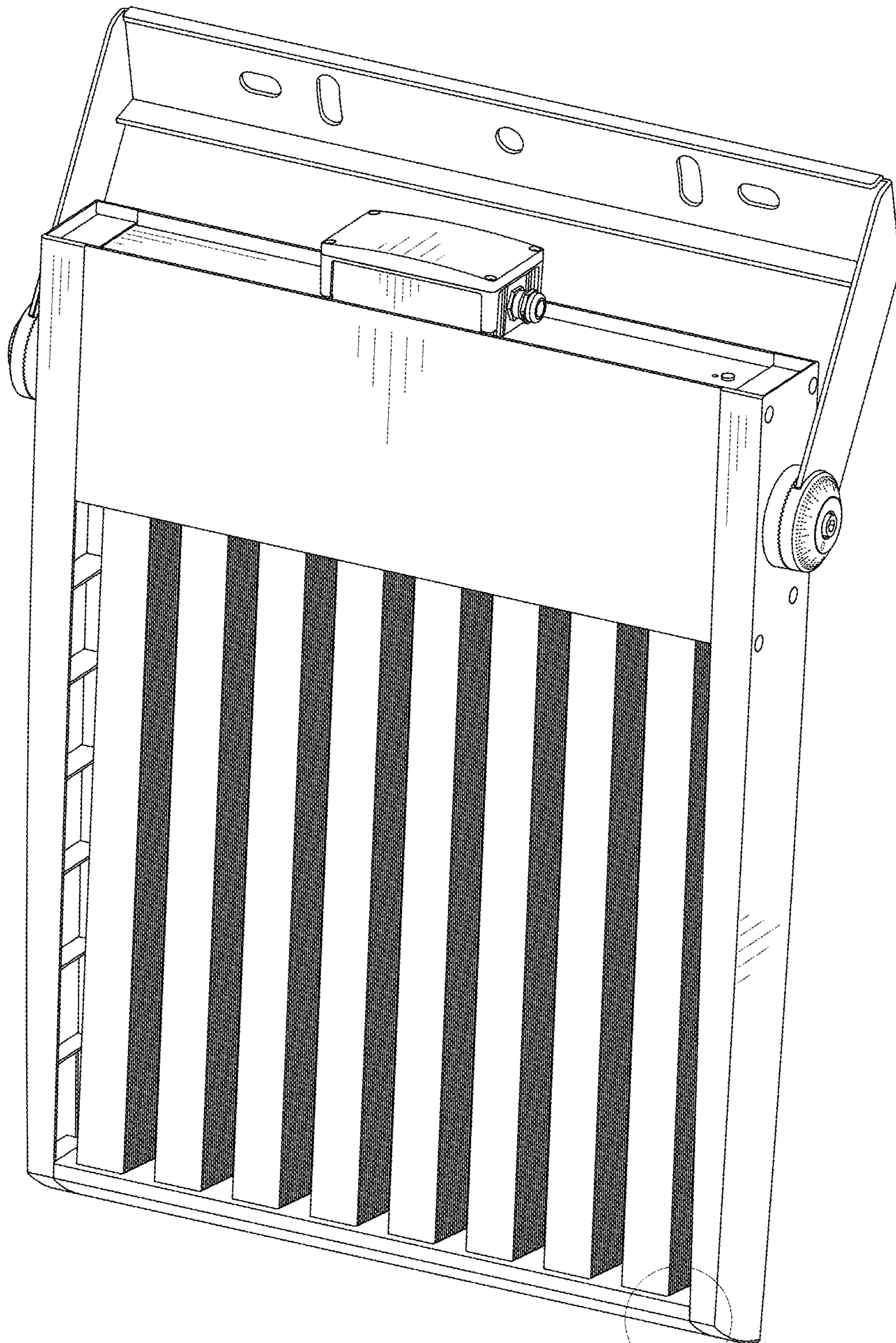


FIG. 3

4

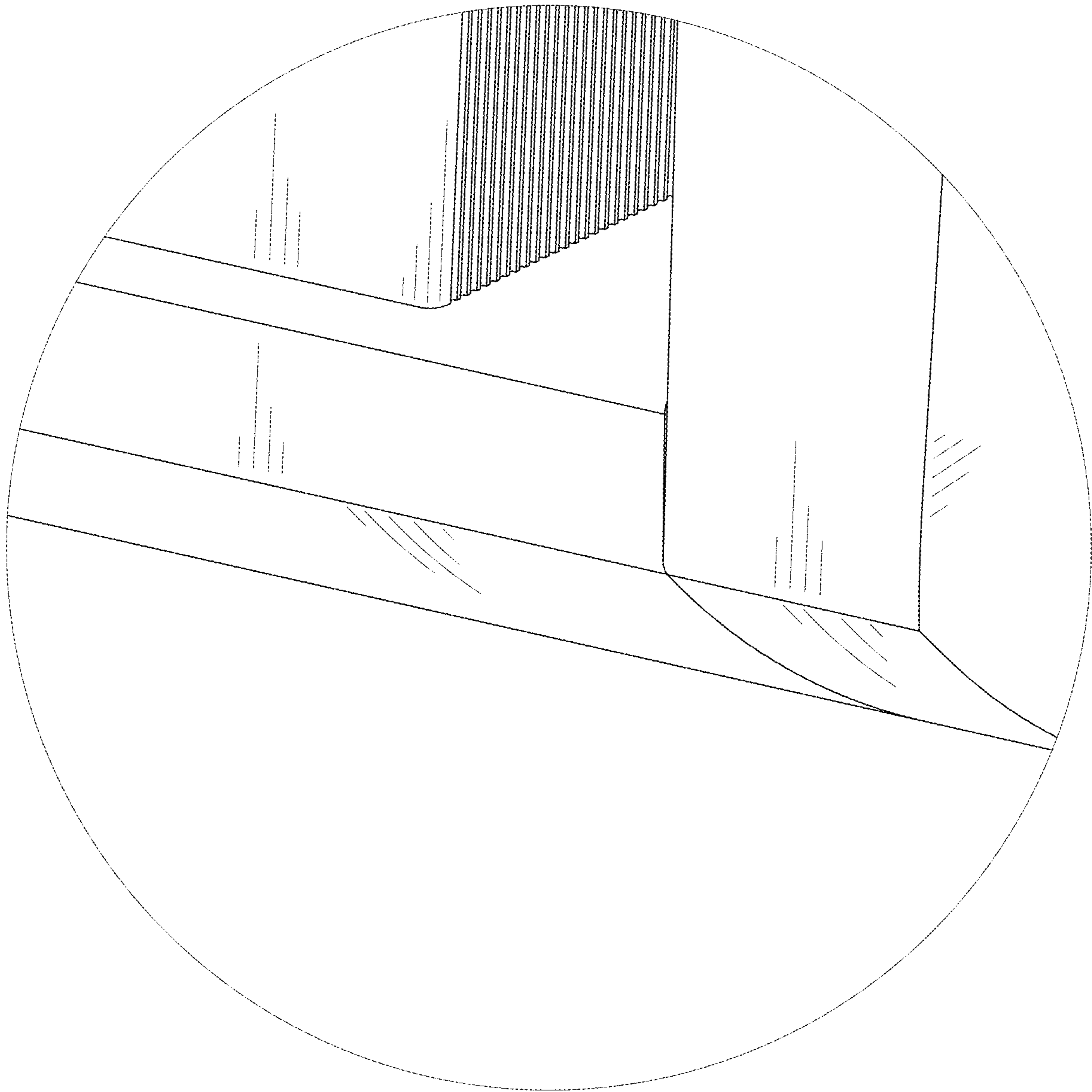


FIG. 4

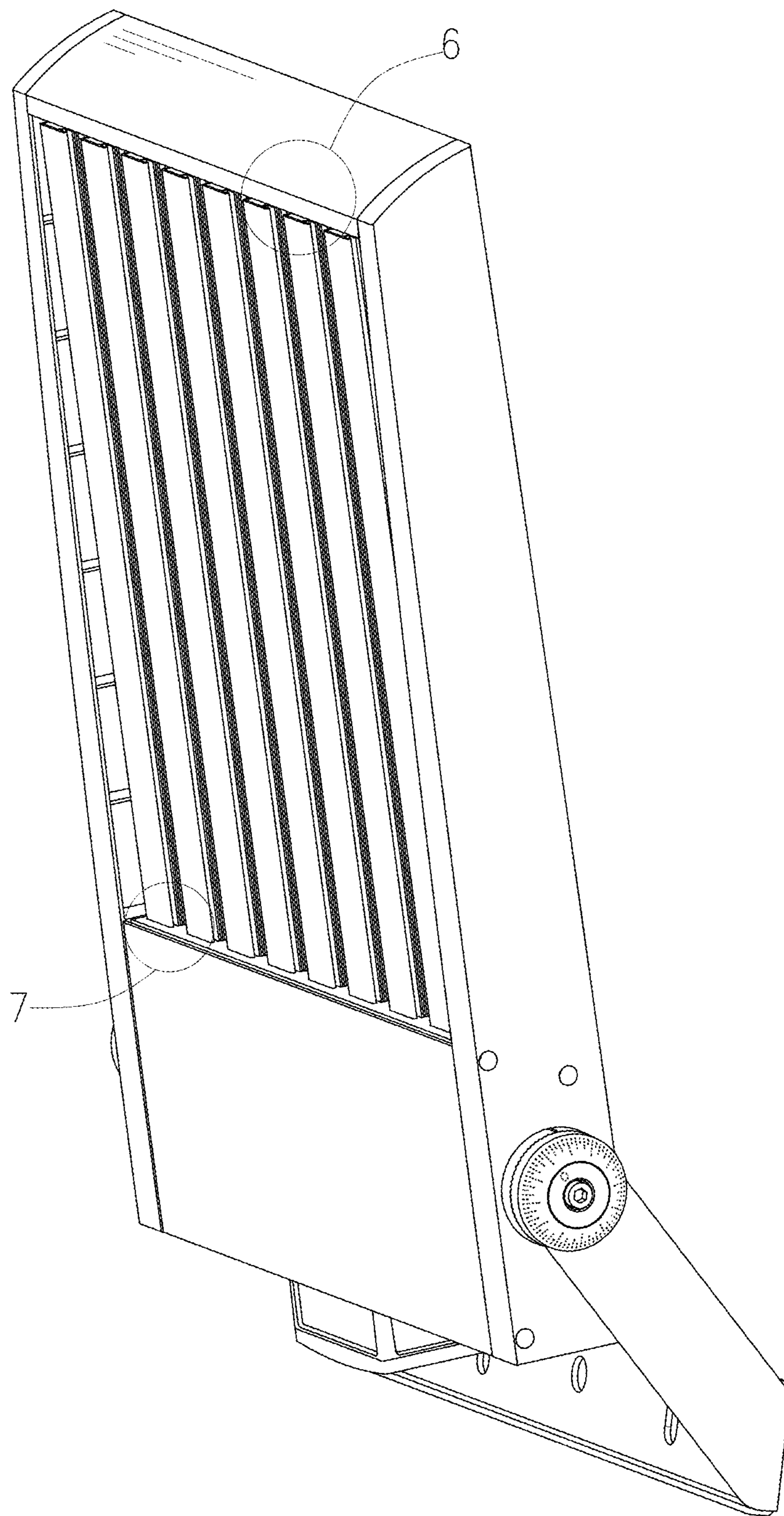


FIG. 5

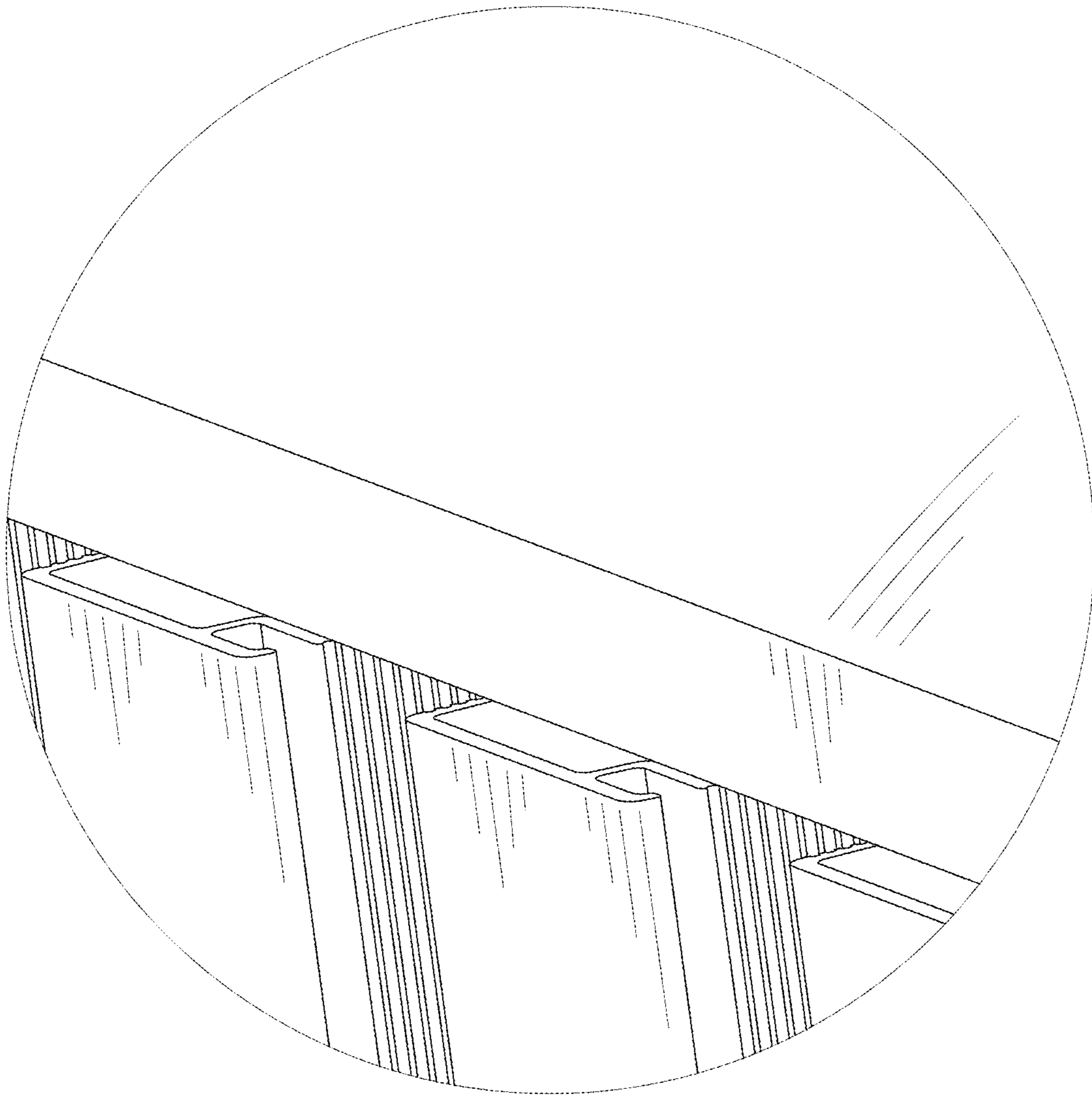


FIG. 6

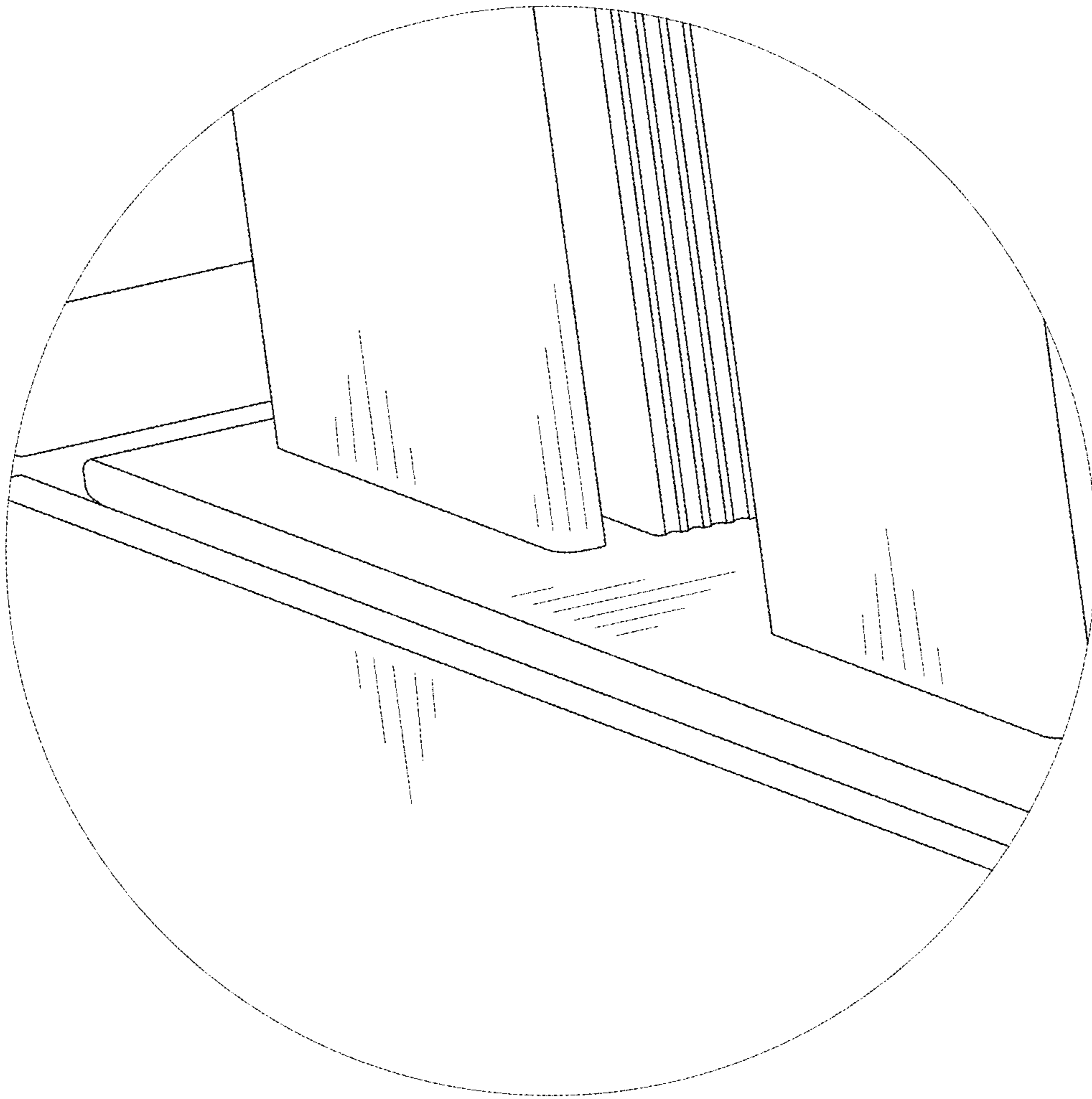


FIG. 7

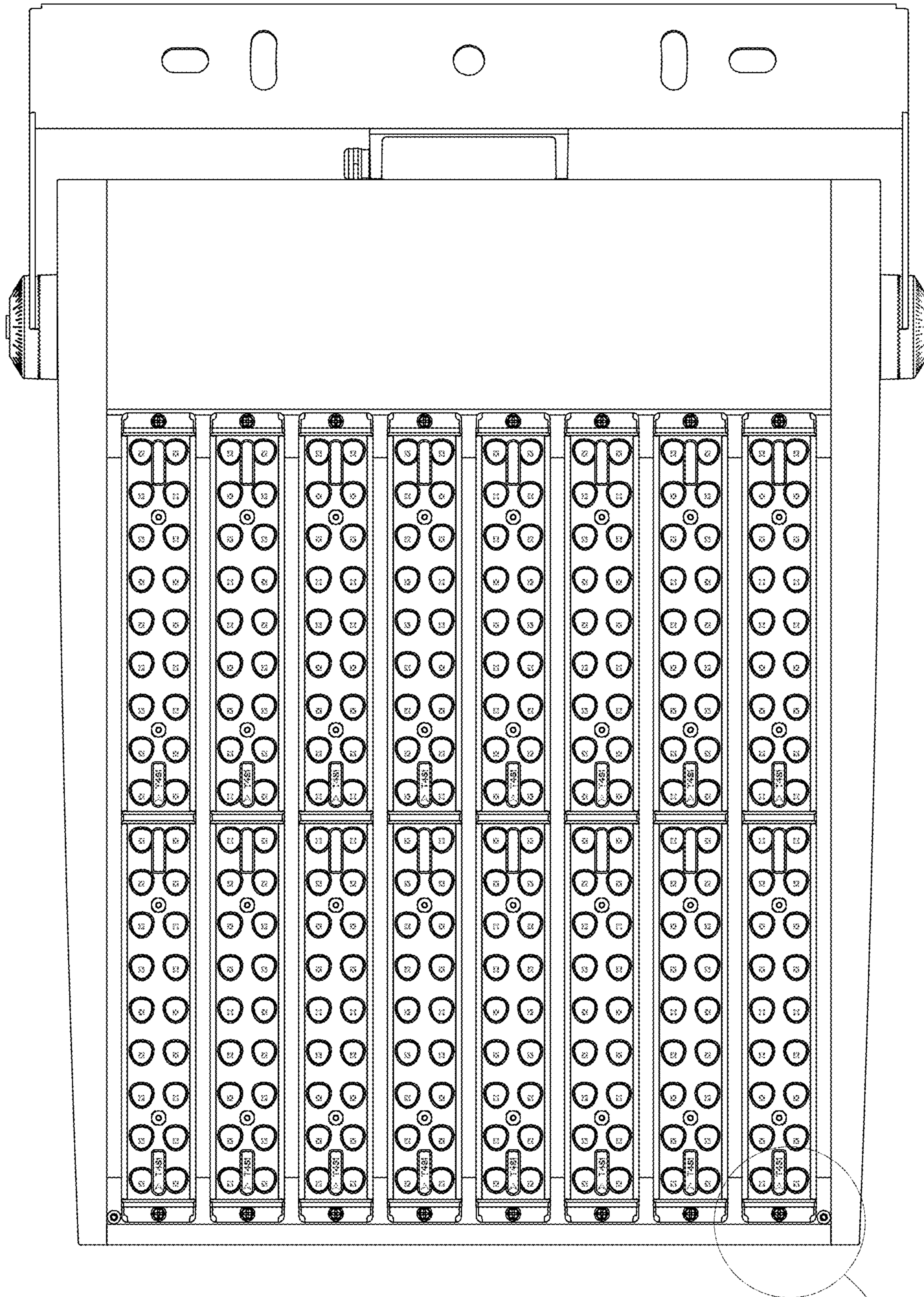


FIG. 8

9

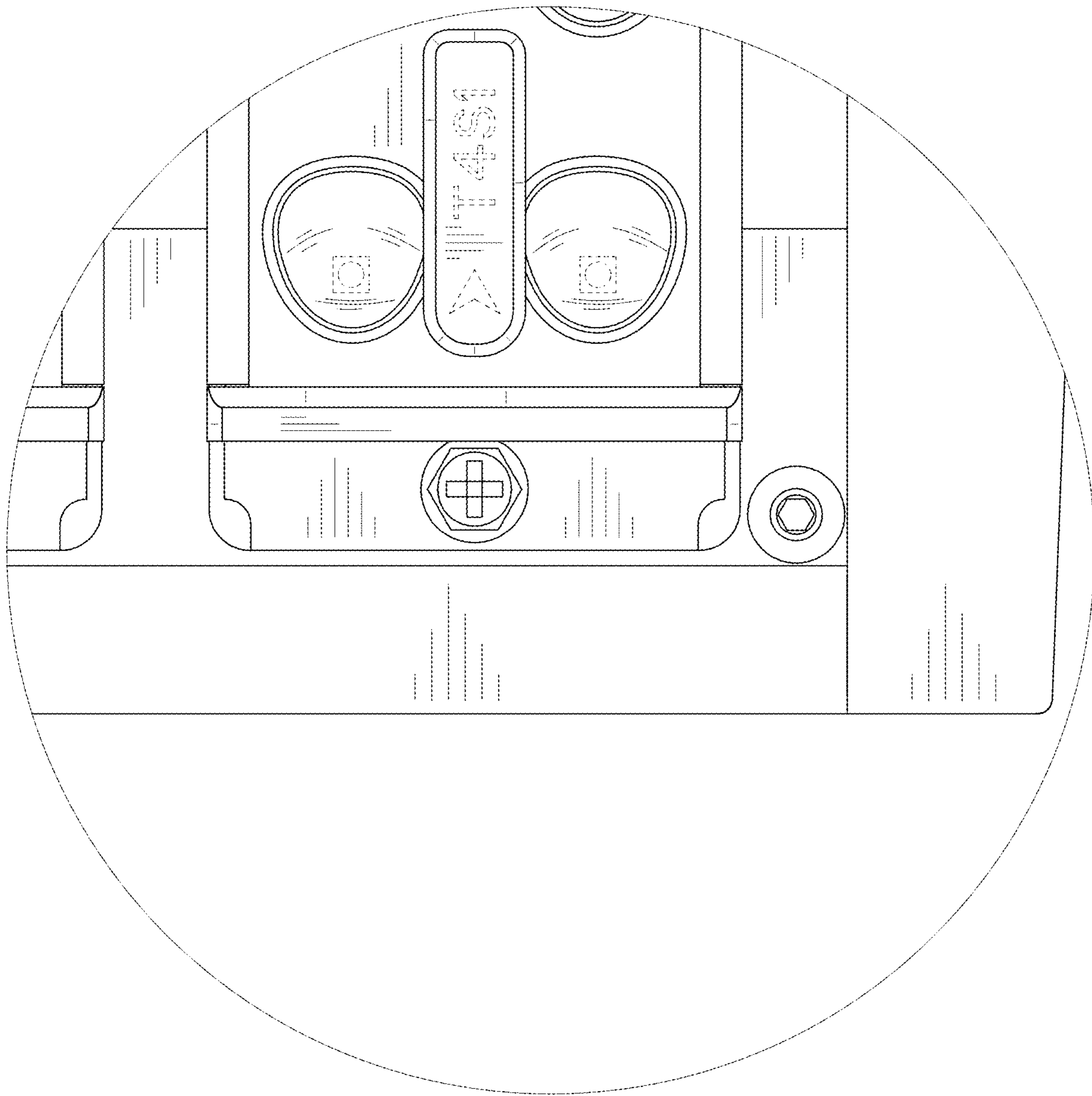


FIG. 9

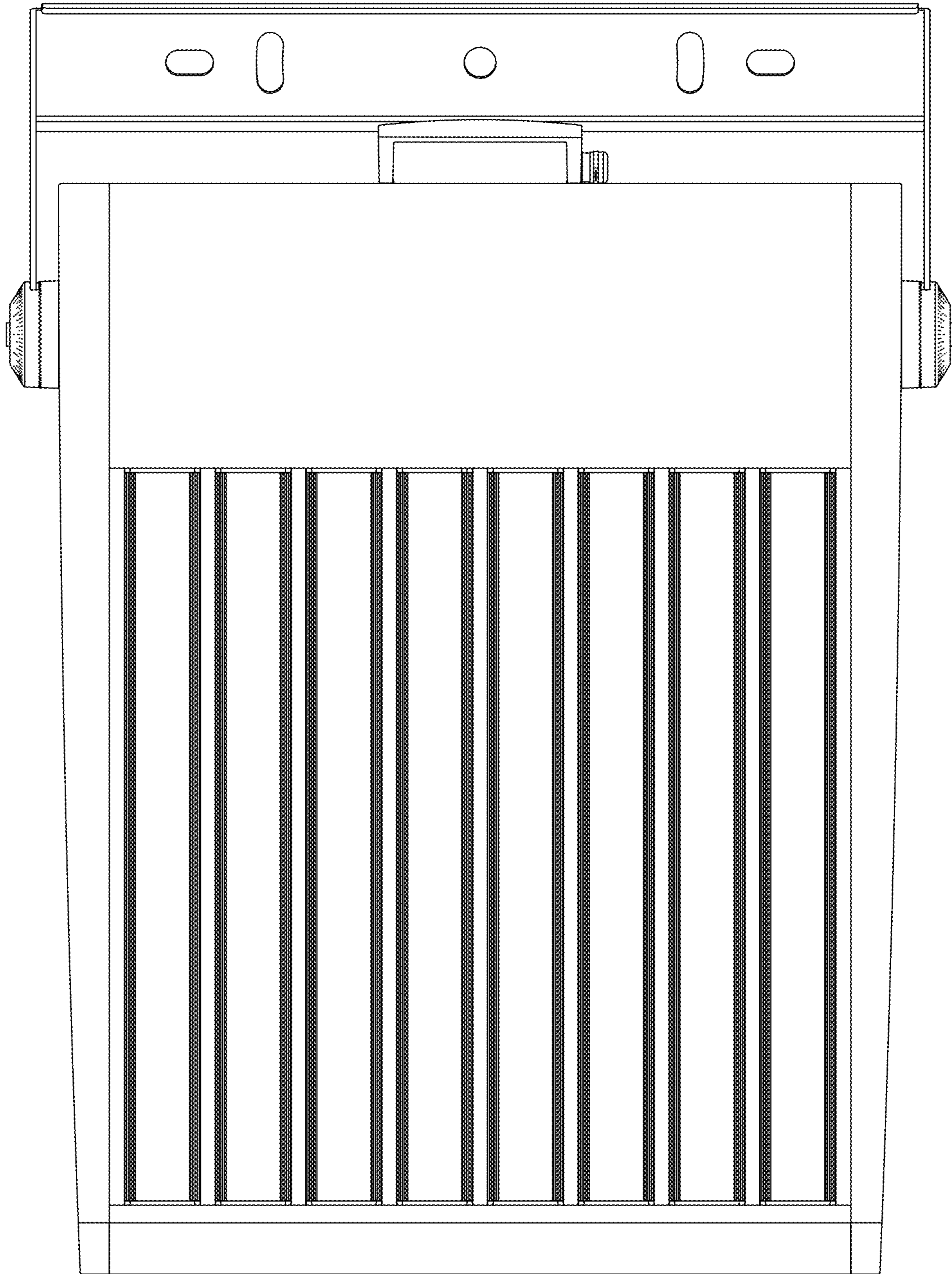


FIG. 10

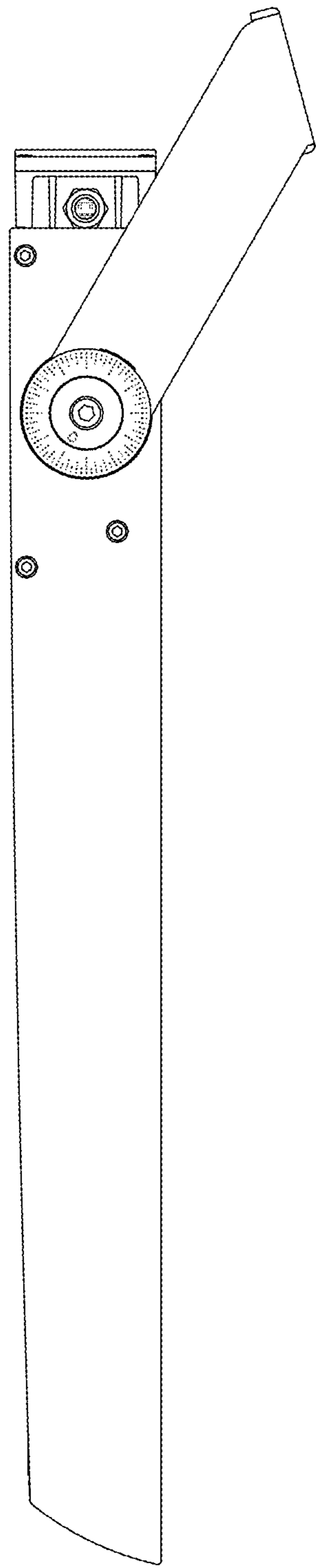


FIG. 11

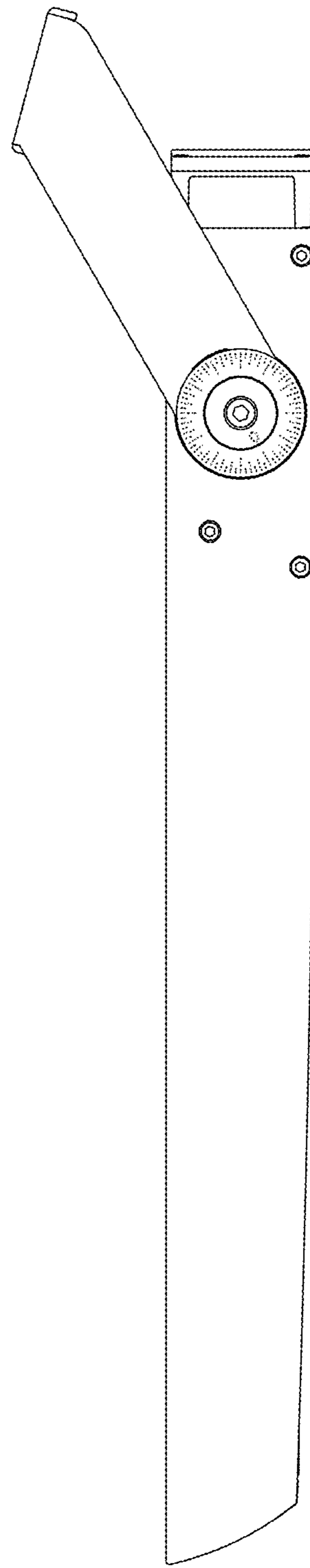


FIG. 12

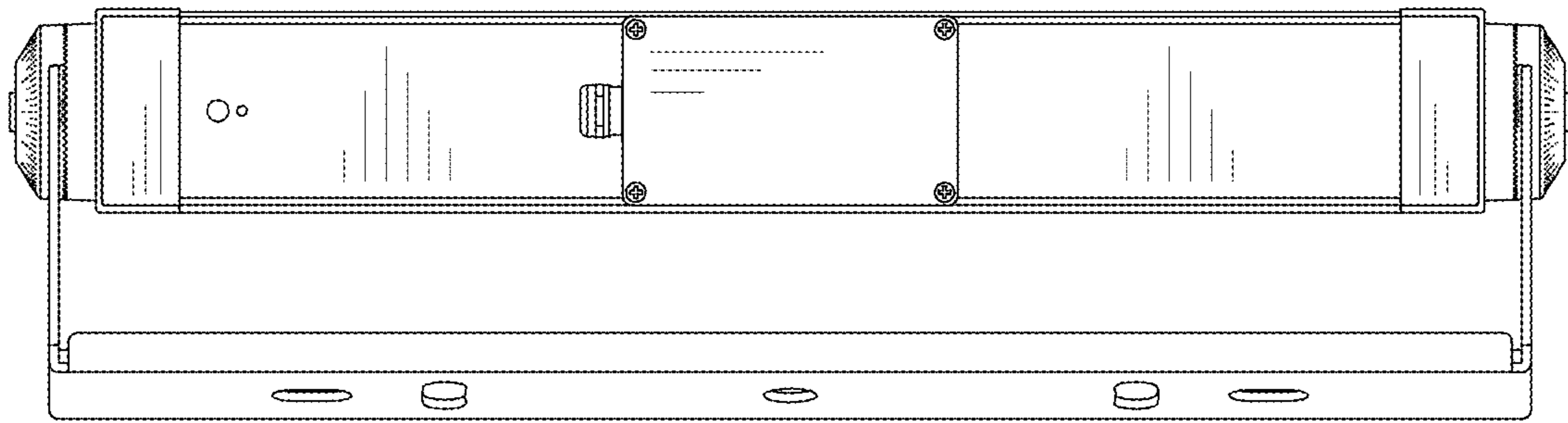


FIG. 13

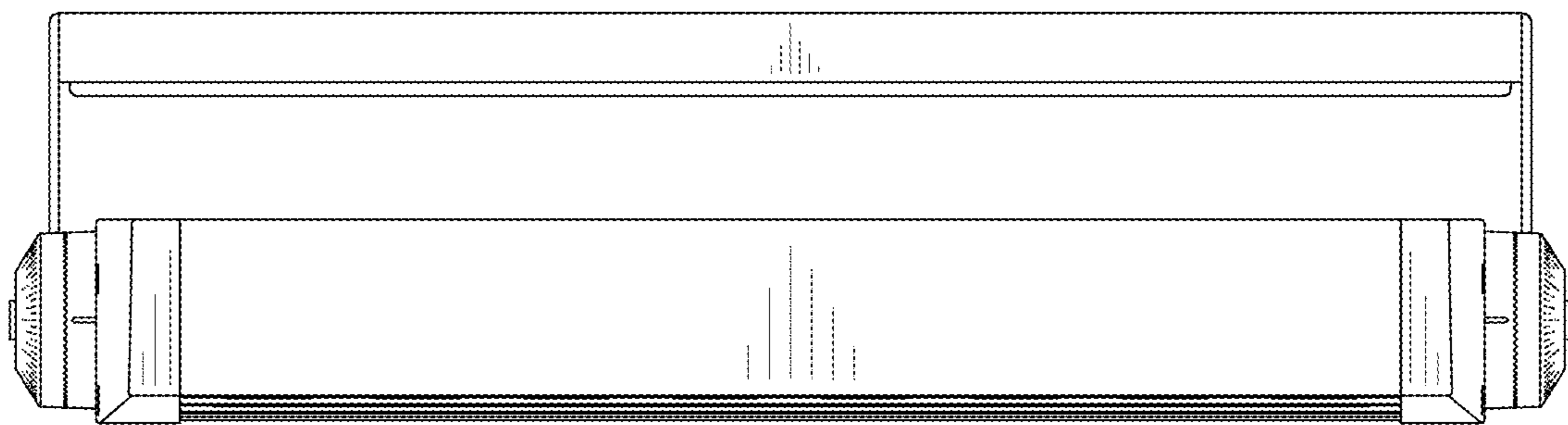


FIG. 14