



US00D916343S

(12) **United States Design Patent** (10) **Patent No.:** **US D916,343 S**
Lin (45) **Date of Patent:** **** Apr. 13, 2021**

(54) **SQUARE LED MIRROR**

(71) Applicant: **Huimin Lin**, Guangdong (CN)

(72) Inventor: **Huimin Lin**, Guangdong (CN)

(**) Term: **15 Years**

(21) Appl. No.: **29/623,067**

(22) Filed: **Oct. 23, 2017**

(51) **LOC (13) Cl.** **26-05**

(52) **U.S. Cl.**

USPC **D26/51**

(58) **Field of Classification Search**

USPC D26/37-51, 56; D6/300, 308

CPC F21L 2003/00; F21L 4/00; F21L 4/005;

F21L 4/02; F21L 4/025; F21L 4/027;

F21L 4/04; F21L 4/08; F21L 2005/00;

F21L 7/00; F21L 11/00; F21L 13/00;

F21L 13/04; F21L 13/08; F21L 14/02;

F21L 17/00; F21L 19/00; F21L 25/00

See application file for complete search history.

(56) **References Cited**

U.S. PATENT DOCUMENTS

- 4,065,091 A * 12/1977 Ulrich A47G 1/142
248/473
- D270,067 S * 8/1983 Ackeret 40/513
- D271,168 S * 11/1983 Antonczyk D6/300
- D285,504 S * 9/1986 Messer D6/300
- D291,030 S * 7/1987 Butterfield D6/308
- D292,851 S * 11/1987 Krone D6/300
- D295,922 S * 5/1988 Huffman D6/308
- D300,285 S * 3/1989 Karklins D6/300
- D339,352 S * 9/1993 Giles D14/232
- D353,942 S * 1/1995 Lo D6/308
- D368,588 S * 4/1996 Goraleski D6/300
- D384,822 S * 10/1997 Sugar D27/186
- D392,112 S * 3/1998 Cynkar D6/300
- D394,959 S * 6/1998 Kwan D6/300

- D430,901 S * 9/2000 Palmer D20/10
- D507,897 S * 8/2005 Juneau D6/663
- D546,674 S * 7/2007 Limber D3/294
- D558,485 S * 1/2008 Wise D6/668.2
- D575,896 S * 8/2008 Beeson D26/104
- D701,981 S * 4/2014 Gates D26/24
- D710,702 S * 8/2014 Damatov D6/300
- D816,992 S * 5/2018 Sapp D3/279
- D834,235 S * 11/2018 Gambrel D26/89
- D854,343 S * 7/2019 Altemimei D6/300
- 2015/0113846 A1 * 4/2015 Nicholson A47G 1/0616
40/723

OTHER PUBLICATIONS

Makeup Mirror LED Light Portable Folding Pocket Mirror, [online],[site visited Aug. 3, 2020] Available from internet, <URL:https://www.alirubexpress.com/products/10x-magnification-hd-makeup-mirror-led-light-portable-folding-pocket-mirror>.8 pages (Year: 2020).*

(Continued)

Primary Examiner — Lakiya G Rogers

Assistant Examiner — Carissa C Fitts

(57)

CLAIM

I claim the ornamental design for a square LED mirror, as shown and described.

DESCRIPTION

FIG. 1 is a perspective view of a square LED mirror showing my new design;

FIG. 2 is a front elevational view thereof;

FIG. 3 is a rear elevational view thereof;

FIG. 4 is a left side elevational view thereof;

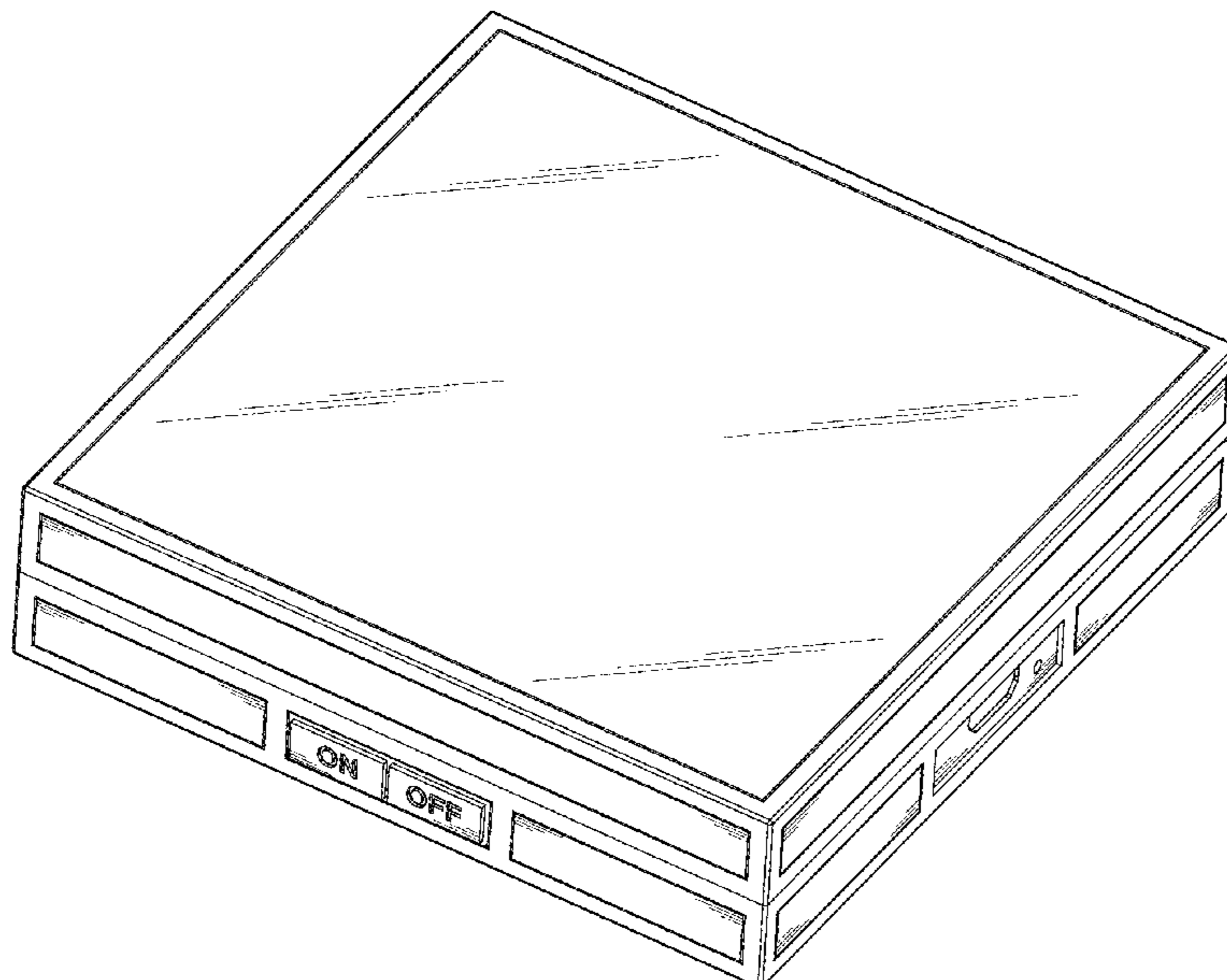
FIG. 5 is a right side elevational view thereof;

FIG. 6 is a top plan view thereof; and,

FIG. 7 is a bottom plan view thereof.

The broken lines form portions of the article which form no part of the claimed design.

1 Claim, 7 Drawing Sheets



(56)

References Cited

OTHER PUBLICATIONS

VH Makeup Mirror Mini Pocket Portable Led Small Makeup Mirror With Charging Mobile Power LED Mirrors [online],[site vis. Aug. 3, 2020] Available from internet, URL<<https://www.banggood.com/VH-Makeup-Mirror-Mini-Pocket-Portable-Led-Small-Makeup-Mirror-With-Charging-Mobile-Power-LED-Mirrors-Po>>3 pages (Year: 2020).*

* cited by examiner

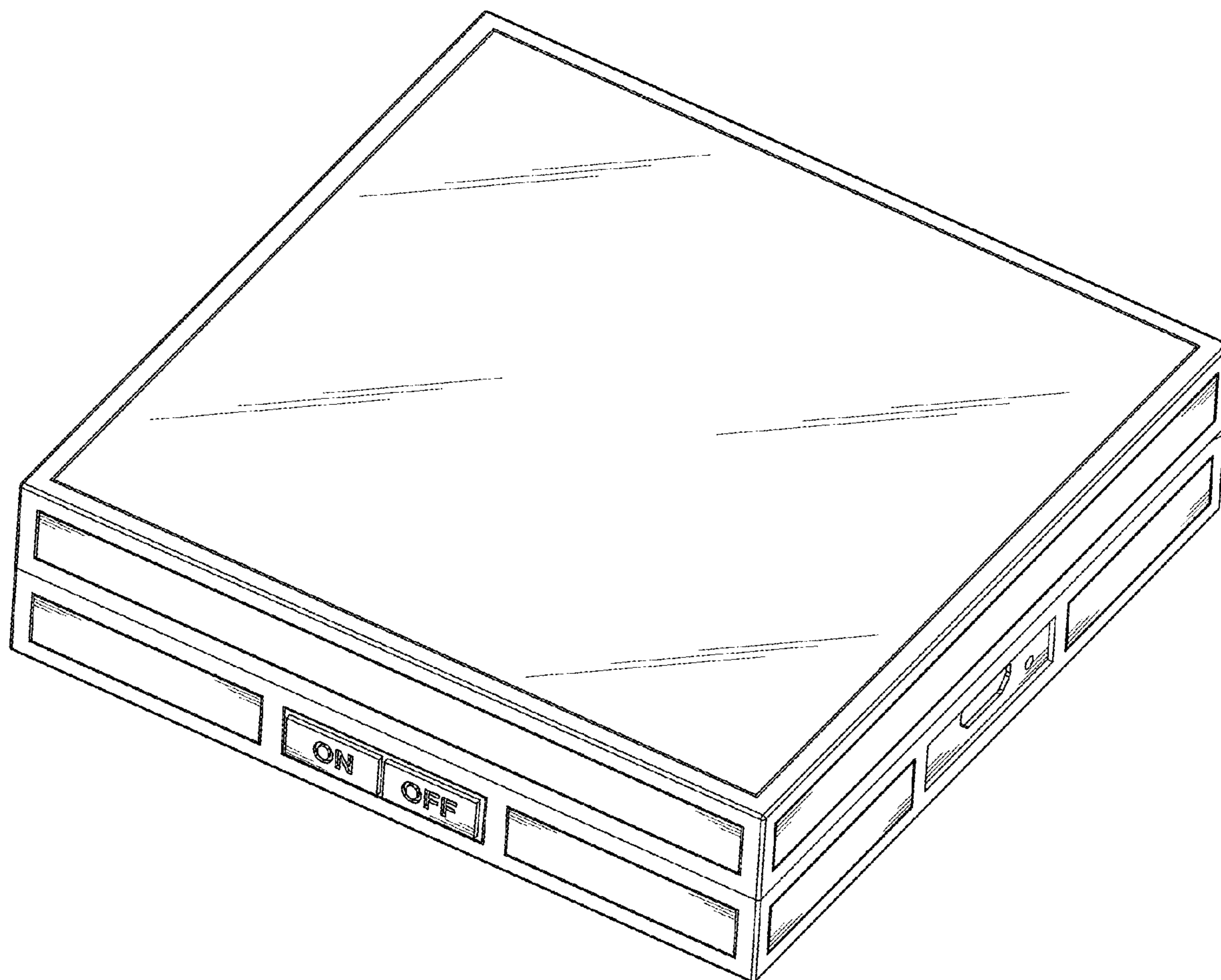


FIG. 1

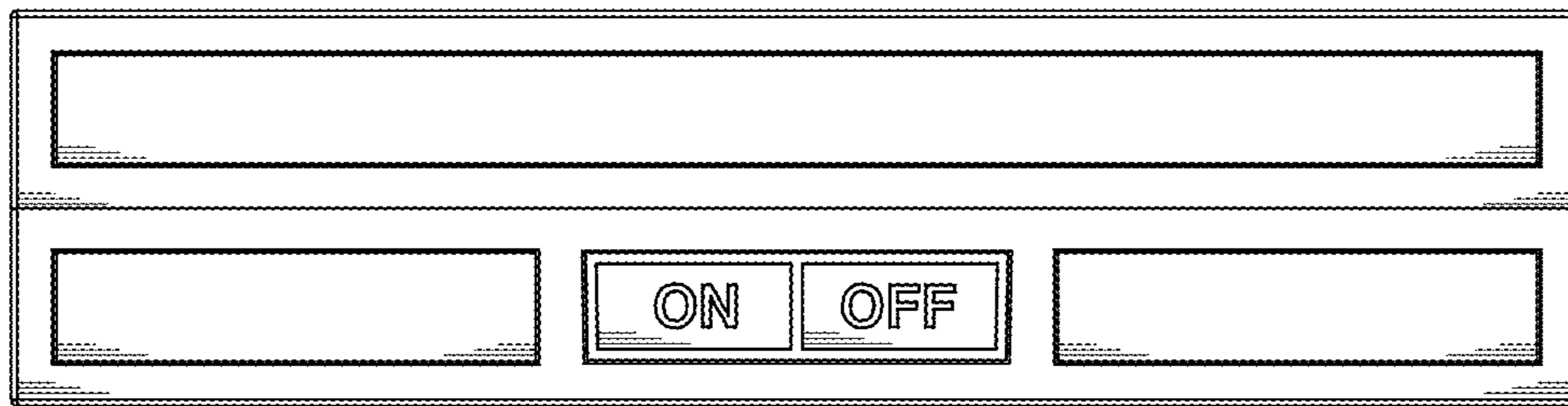


FIG. 2

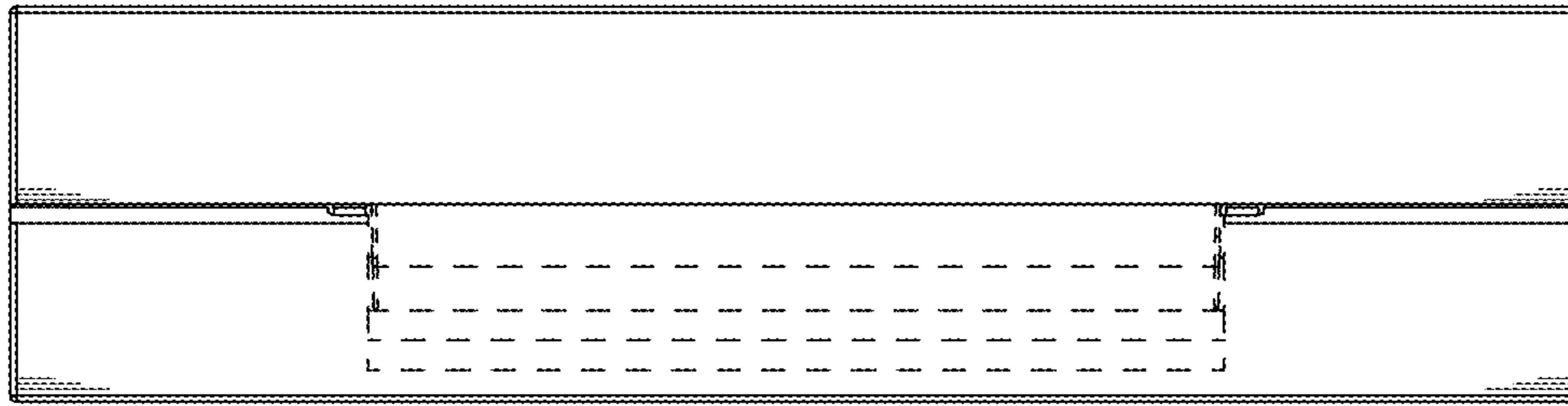


FIG. 3

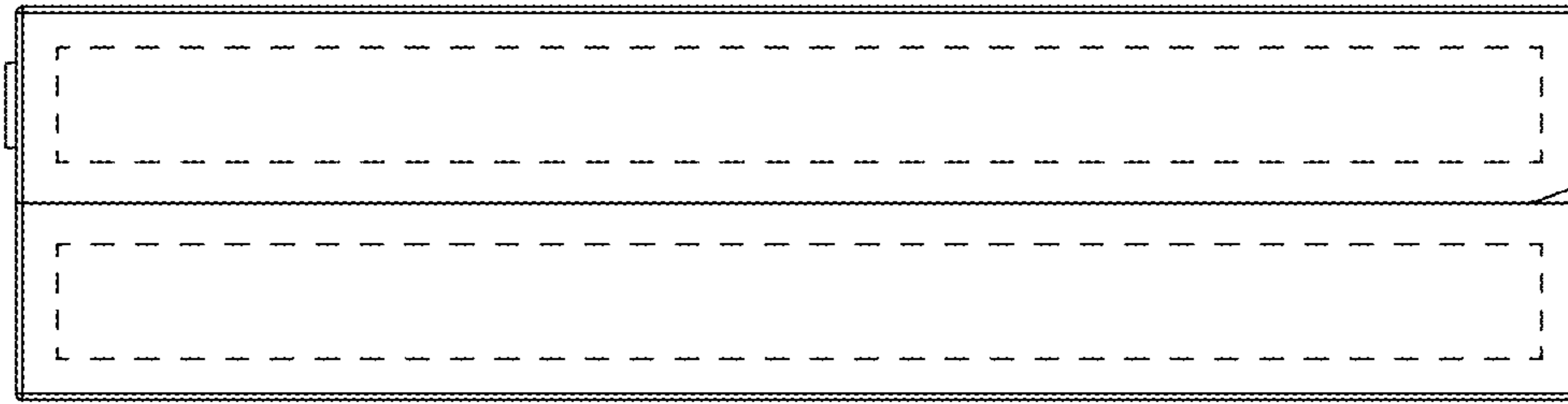


FIG. 4

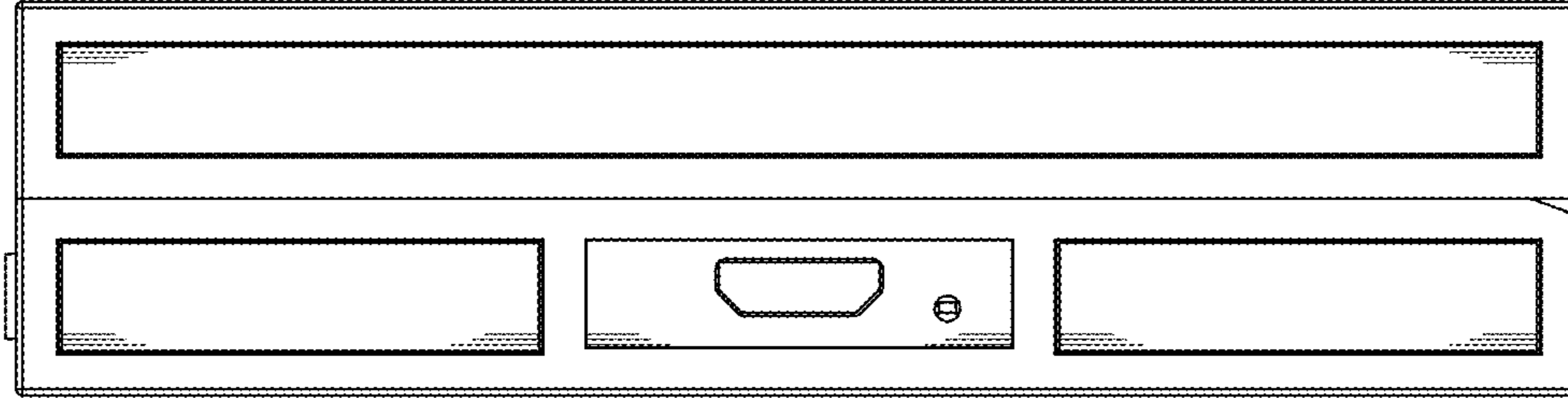


FIG. 5

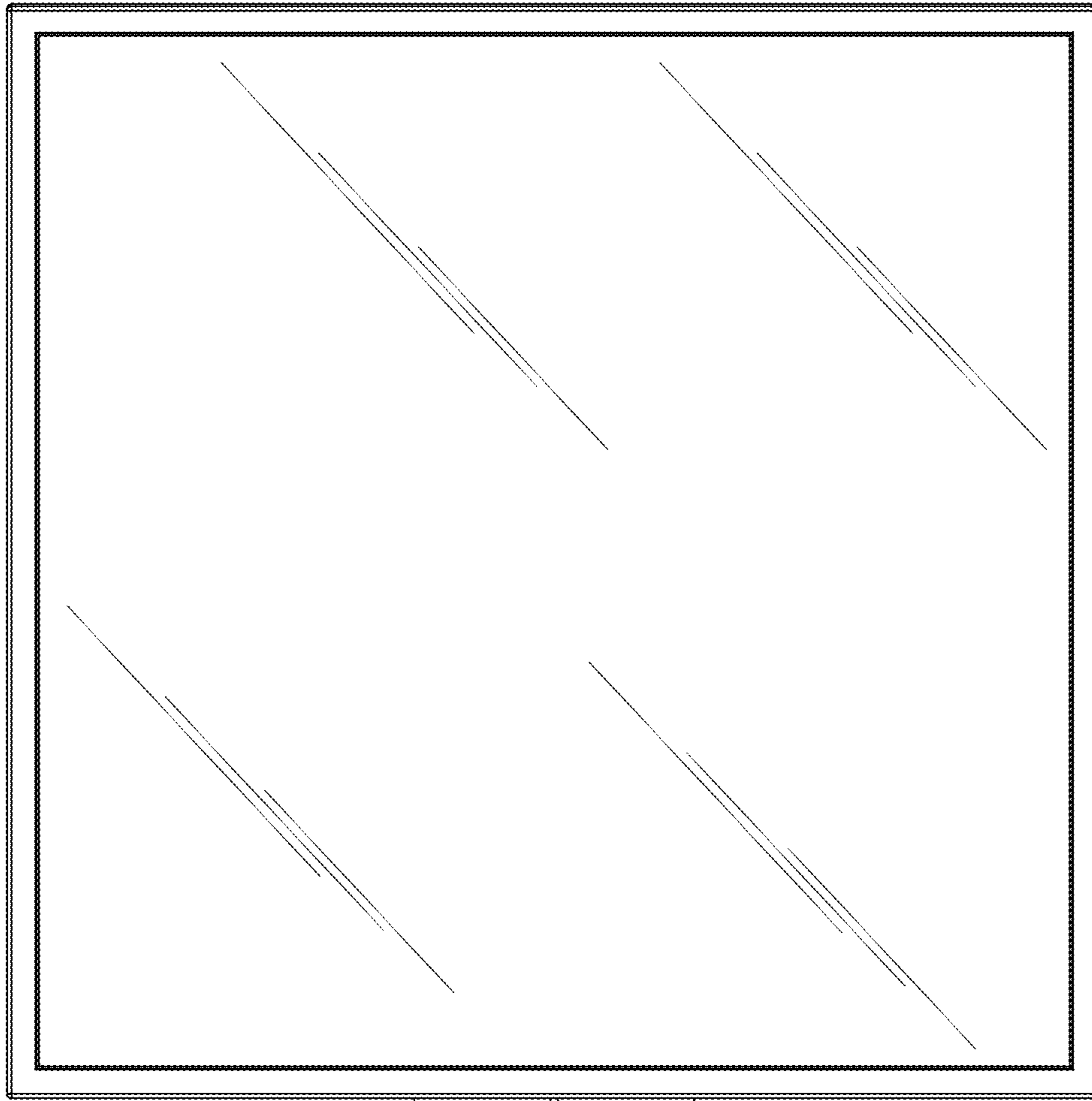


FIG. 6

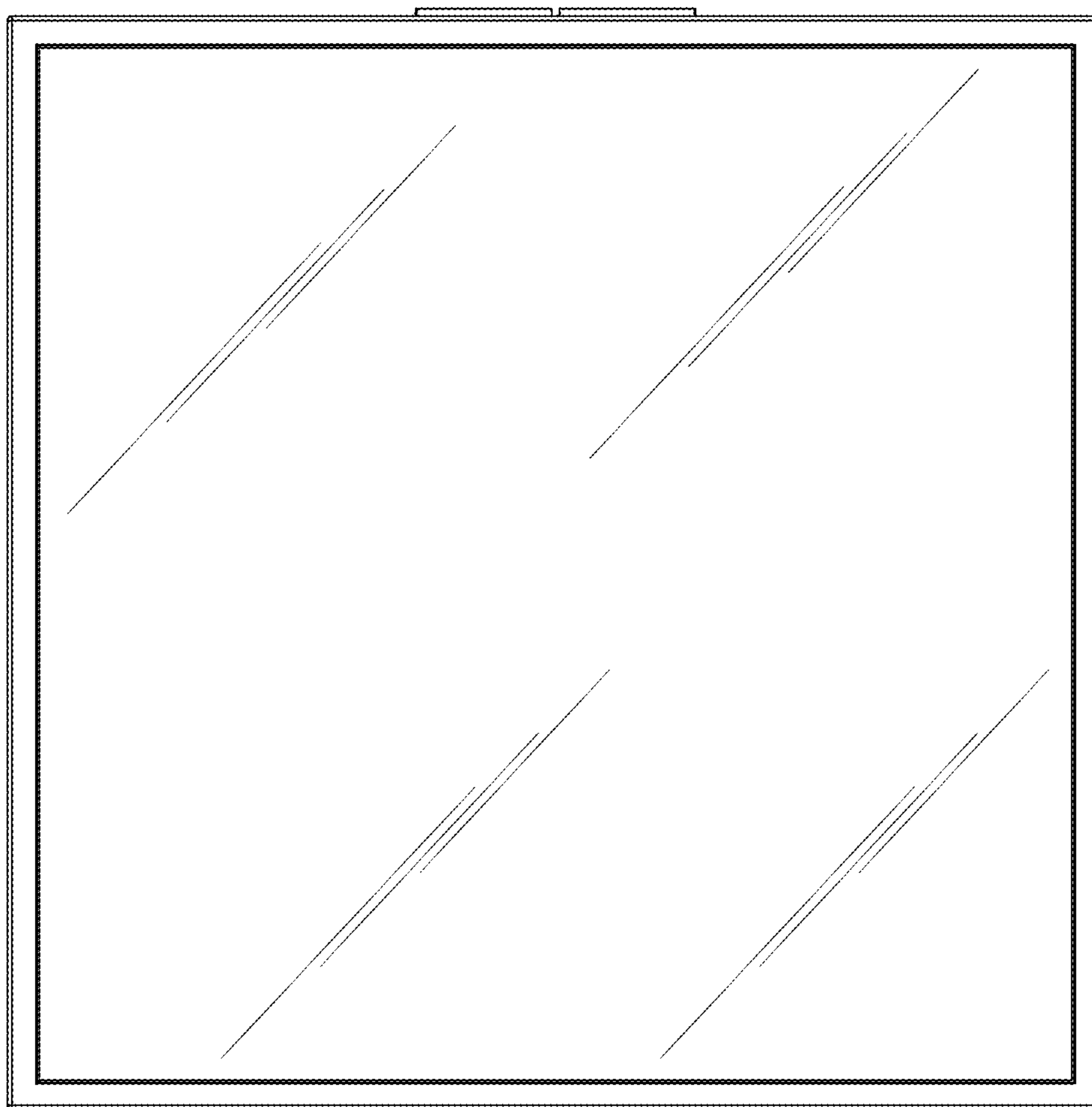


FIG. 7