



US00D916342S

(12) **United States Design Patent**
Xie

(10) **Patent No.:** **US D916,342 S**
(45) **Date of Patent:** **** Apr. 13, 2021**

(54) **FLASHLIGHT**

(71) Applicant: **Xiaoyu Xie**, Leshan (CN)

(72) Inventor: **Xiaoyu Xie**, Leshan (CN)

(**) Term: **15 Years**

(21) Appl. No.: **29/671,798**

(22) Filed: **Nov. 29, 2018**

(51) **LOC (13) Cl.** **26-02**

(52) **U.S. Cl.**

USPC **D26/49**

(58) **Field of Classification Search**

USPC D26/37-38, 40-42, 46, 49-50

CPC F21L 2003/00; F21L 4/00; F21L 4/005;

F21L 4/02; F21L 4/022; F21L 4/025;

F21L 4/027; F21L 4/04; F21L 4/045;

F21L 4/08; F21L 4/085; F21L 14/02

See application file for complete search history.

(56) **References Cited**

U.S. PATENT DOCUMENTS

D57,760 S * 5/1921 Arnoll D26/113

D228,519 S * 10/1973 Moore D26/49

D241,971 S * 10/1976 Brindley D26/49

D294,644 S * 3/1988 Ohashi D26/49

D299,274 S * 1/1989 Ohashi D26/49

D300,666 S * 4/1989 Ohashi D26/49

D300,667 S * 4/1989 Ohashi D26/49

D307,057 S * 4/1990 Seok D26/49

D314,057 S * 1/1991 Naldi D26/49

D356,170 S * 3/1995 Ohtaka D26/49

5,586,819 A * 12/1996 Bamber F21L 4/005

362/158

D410,761 S * 6/1999 Chiu D26/49

6,095,661 A * 8/2000 Lebens F21L 4/027

362/184

D449,704 S * 10/2001 Zhong D26/49

6,536,917 B1 * 3/2003 Aperocho F21V 33/0056

362/183

D502,277 S * 2/2005 Chen D26/49

6,877,878 B2 * 4/2005 Raskas H04N 5/2256

348/E5.029

6,916,104 B2 * 7/2005 Parsons F21L 4/005

362/109

7,069,926 B2 * 7/2006 Skellern B05B 15/00

128/200.11

7,172,312 B2 * 2/2007 Chen F21L 4/022

362/202

D553,266 S * 10/2007 Maxik D26/2

(Continued)

OTHER PUBLICATIONS

amazon.com: IMALENT DX80 Powerful Flashlight 32000 Lumens. Date posted Aug. 22, 2017 [site visited Dec. 14, 2020], Retrieved from internet, <<https://www.amazon.com/IMALENT-Flashlight-Rechargeable-Professional-Searchlight/dp/B0751D1VBQ>> (Year: 2017).*

(Continued)

Primary Examiner — Sheryl Lane

Assistant Examiner — Calvin E Vansant

(74) *Attorney, Agent, or Firm* — ScienBiziP, P.C.

(57) **CLAIM**

The ornamental design for the flashlight, as shown.

DESCRIPTION

FIG. 1 is a perspective view of a flashlight showing my new design;

FIG. 2 is a front and left side view of the flashlight;

FIG. 3 is front and right perspective view thereof;

FIG. 4 is rear and left perspective view thereof;

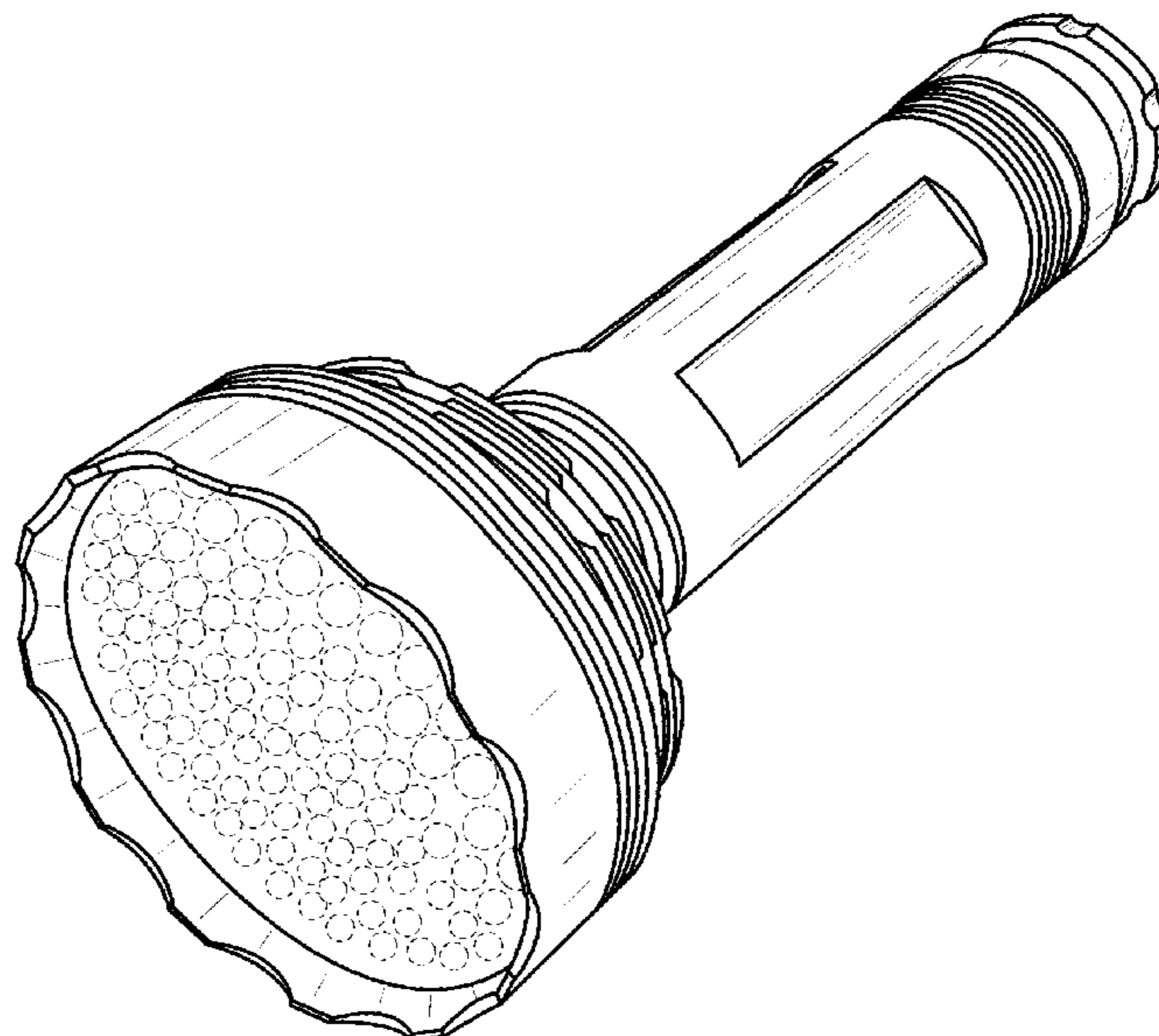
FIG. 5 is rear and right perspective view thereof;

FIG. 6 is a top plan thereof; and,

FIG. 7 is a bottom plan view thereof.

Throughout the drawings the broken lines depict portions of the flashlight that form no part of the claimed design.

1 Claim, 7 Drawing Sheets



(56)

References Cited

U.S. PATENT DOCUMENTS

D577,451 S * 9/2008 Shiu D26/49
 D579,595 S * 10/2008 Shiu D26/49
 D582,592 S * 12/2008 Opolka D26/49
 D590,972 S * 4/2009 Palmer D26/49
 D596,773 S * 7/2009 Liu D26/37
 7,581,848 B1 * 9/2009 Parsons F21L 4/027
 200/60
 7,784,963 B2 * 8/2010 Galli F41G 1/35
 362/184
 D629,544 S * 12/2010 Deguglimo D26/49
 D641,901 S * 7/2011 Opolka D26/49
 D709,232 S * 7/2014 Inskeep D26/49
 D709,233 S * 7/2014 Inskeep D26/49
 D717,481 S * 11/2014 Yong D26/49
 D747,520 S * 1/2016 Hsu D26/37
 9,341,323 B1 * 5/2016 Wang F21V 7/0008
 D785,843 S * 5/2017 Wen D26/49

D826,441 S * 8/2018 Fuller D26/52
 D827,892 S * 9/2018 Kunzendorf D26/49
 D877,380 S * 3/2020 Le D26/49
 D885,626 S * 5/2020 Inskeep D26/49
 D889,011 S * 6/2020 Hong D26/49

OTHER PUBLICATIONS

olightstore.com: Javelot Pro. Undated online product page. Retrieved on Dec. 14, 2020 from <https://www.olightstore.com/javelot-pro.html?https://www.olightstore.com/?utm_campaign=smart_shopping&utm_medium=search&_channel_track_key=. . .> (Year: 2020).*
 batteryjunction.com: Acebeam T28 Long Distance LED Searchlight. Undated online product page. Retrieved on Dec. 14, 2020 from <https://www.batteryjunction.com/acebeam-t28-searchlight.html?gclid=EAlalQobChMlrZ7qjZf07QIVCCiGCh3ttwnUEAQYHSABEgJmiPD_BwE> (Year: 2020).*

* cited by examiner

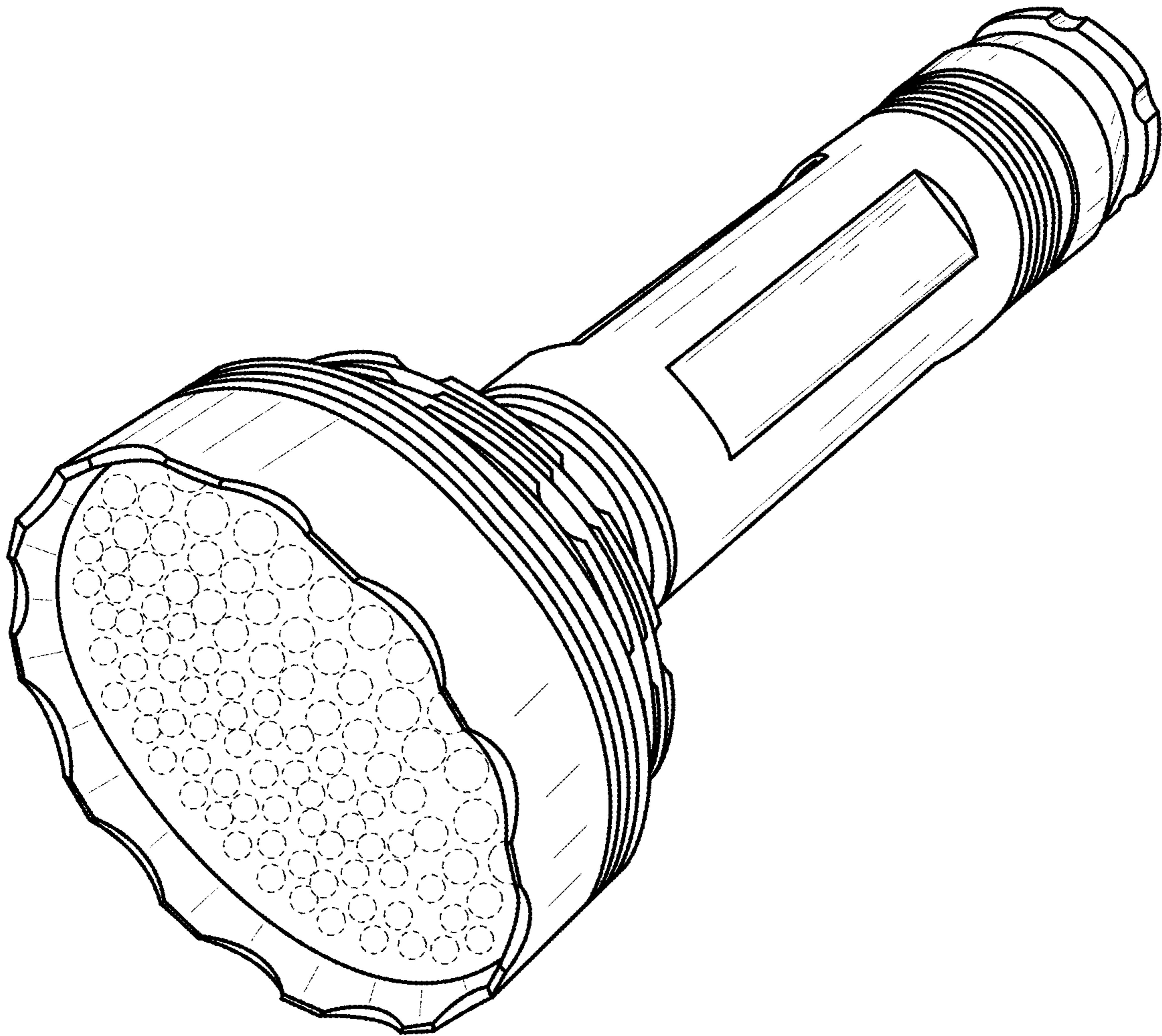


FIG. 1

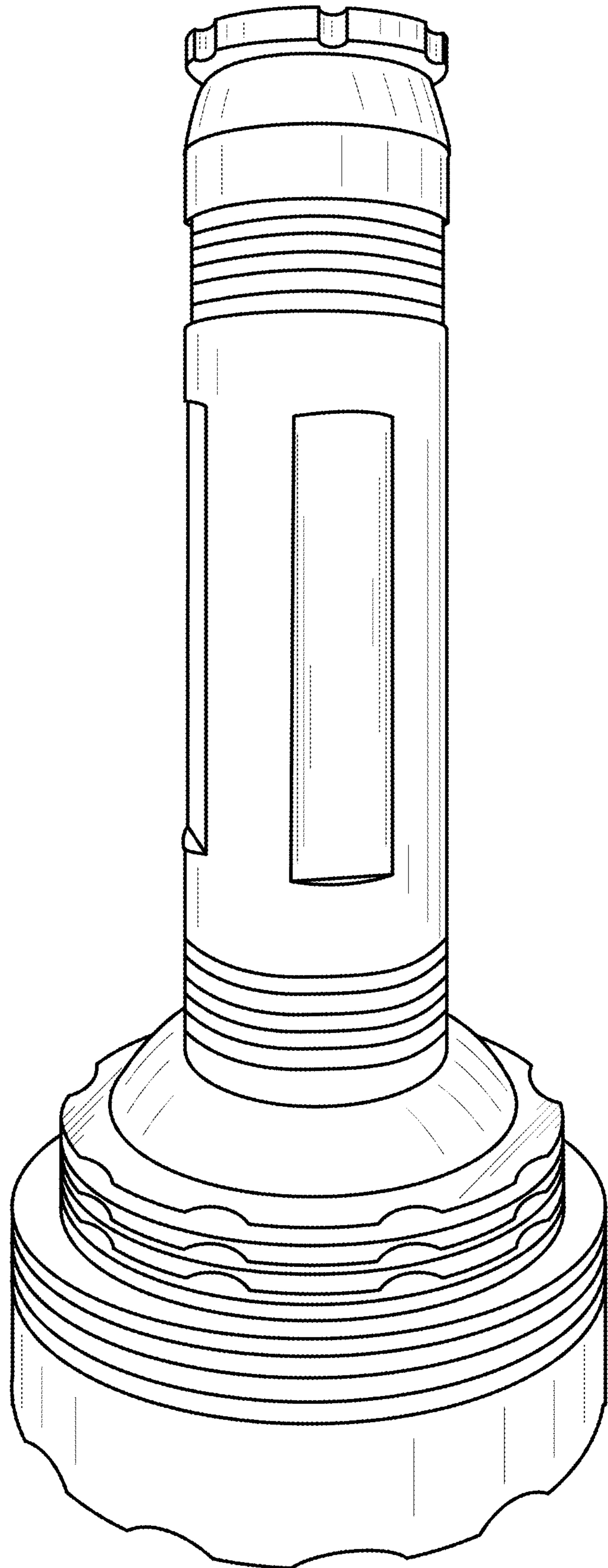


FIG. 2

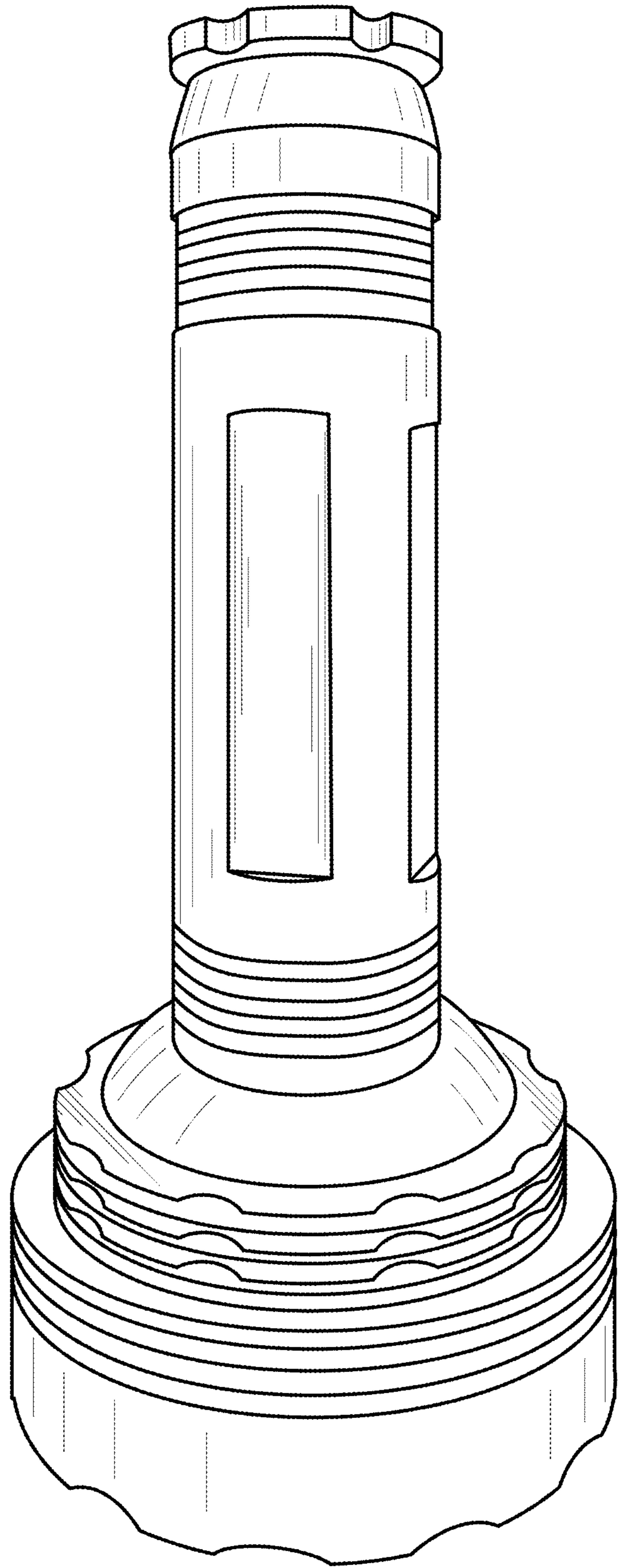


FIG. 3

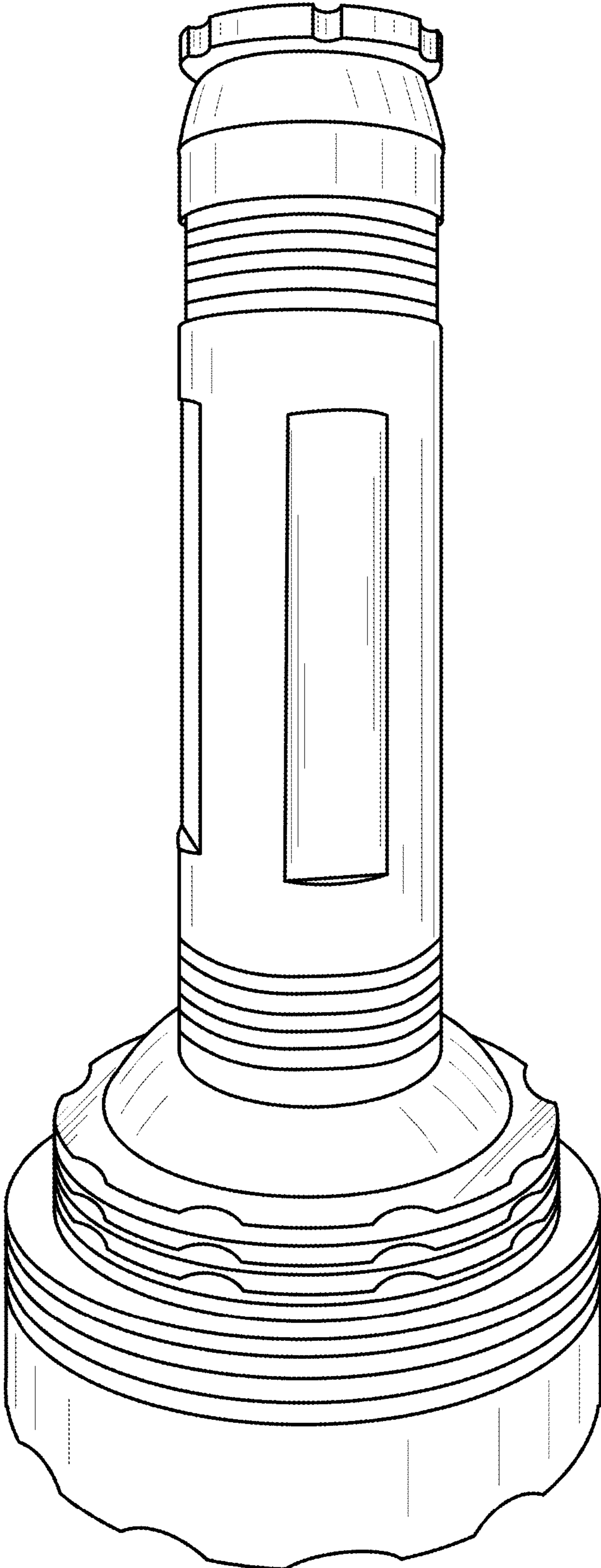


FIG. 4

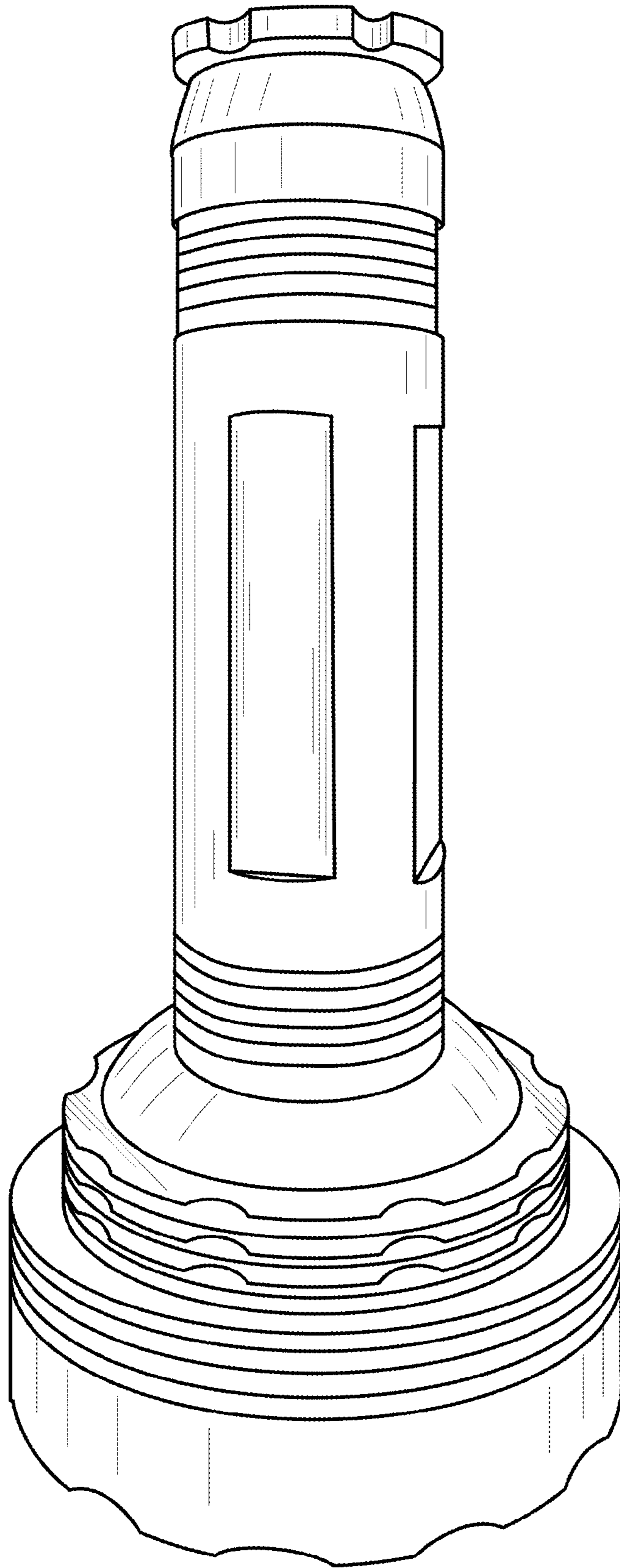


FIG. 5

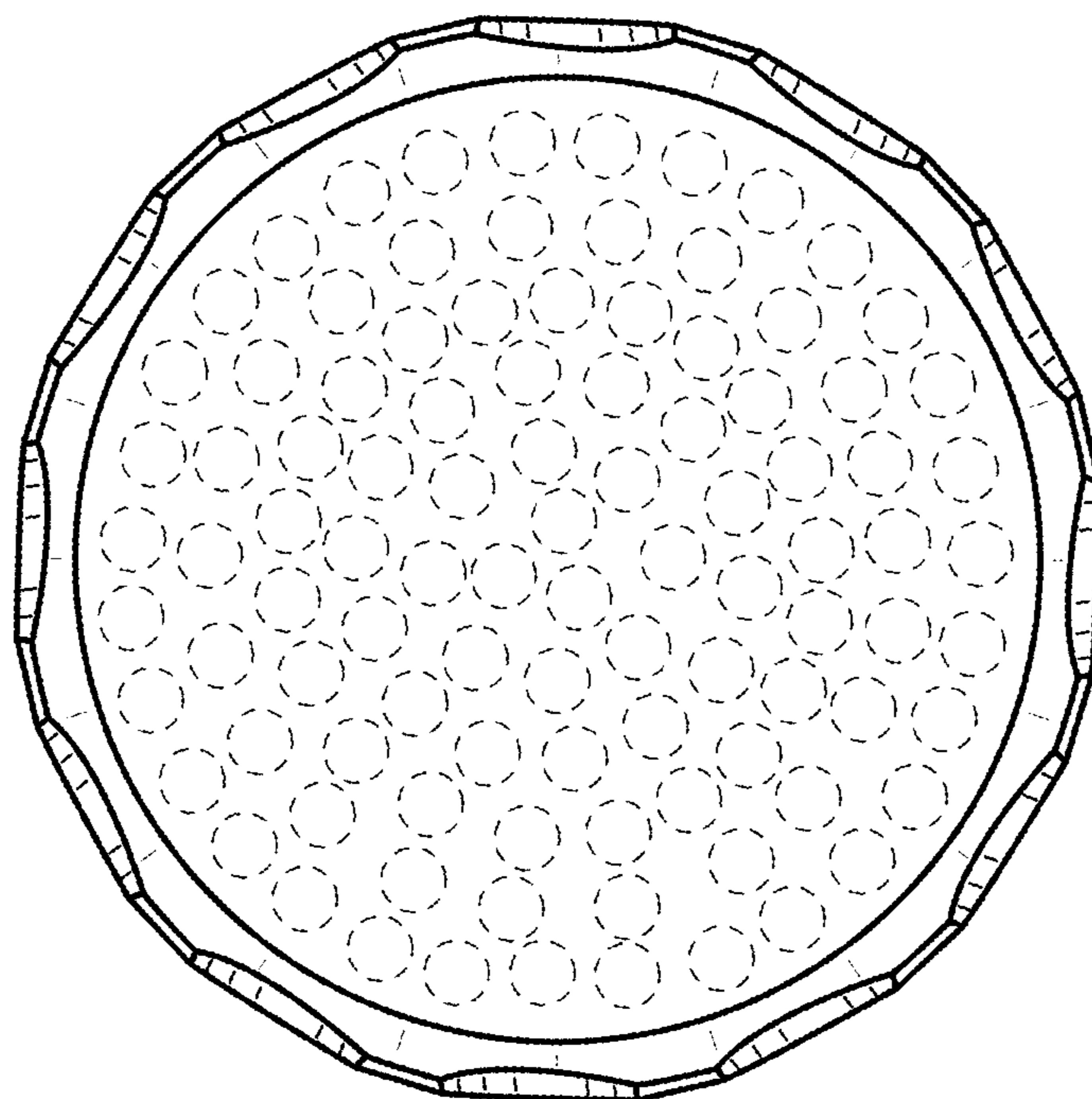


FIG. 6

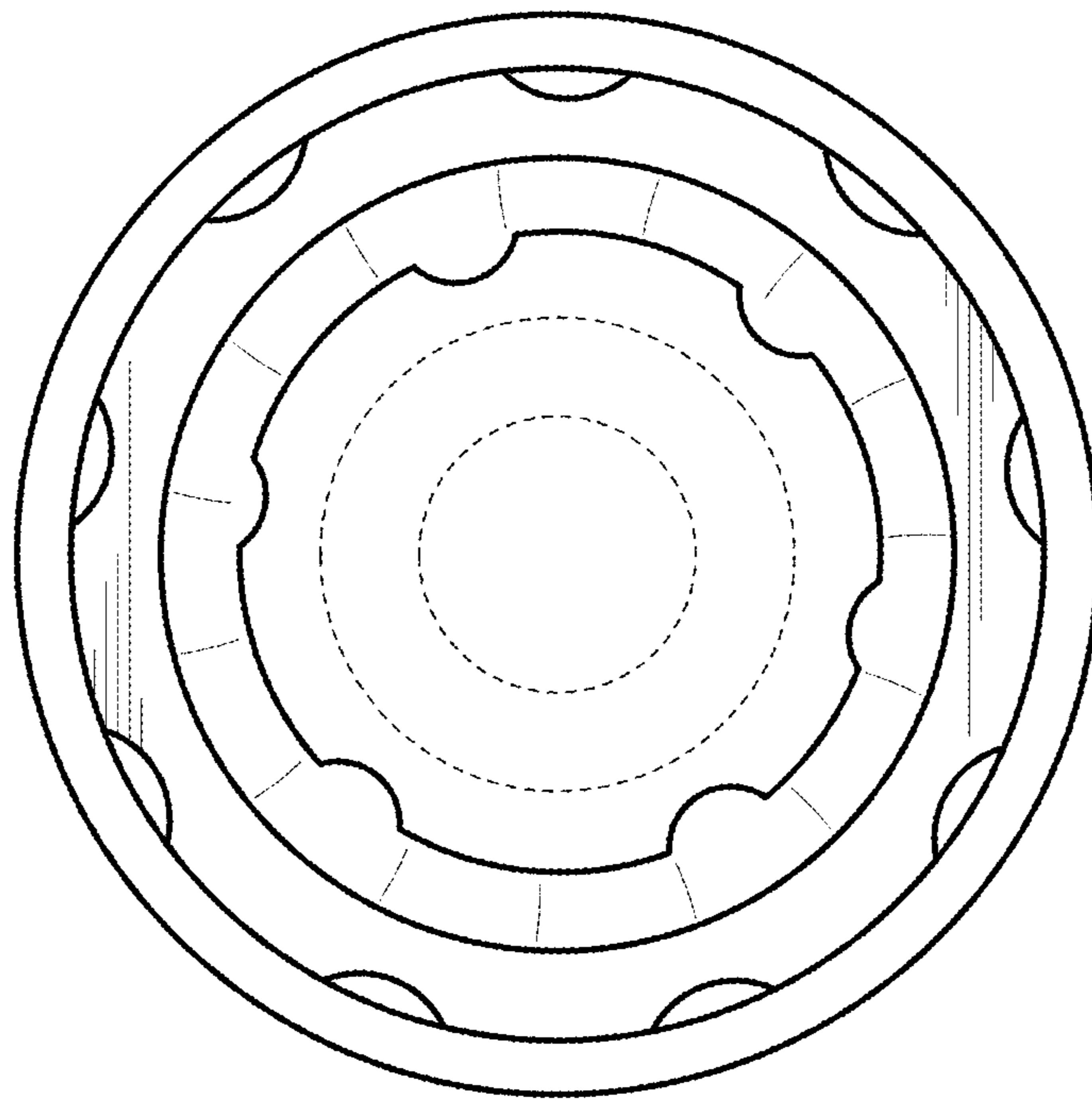


FIG. 7