



US00D916340S

(12) **United States Design Patent** (10) **Patent No.:** **US D916,340 S**
Chen (45) **Date of Patent:** **** Apr. 13, 2021**

(54) **WORKING LIGHT**

(71) Applicant: **SHIN CHIN INDUSTRIAL CO., LTD.**, Tainan (TW)

(72) Inventor: **Yi Kai Chen**, Tainan (TW)

(73) Assignee: **SHIN CHIN INDUSTRIAL CO., LTD.**, Tainan (TW)

(**) Term: **15 Years**

(21) Appl. No.: **29/660,432**

(22) Filed: **Aug. 21, 2018**

(51) **LOC (13) Cl.** **26-02**

(52) **U.S. Cl.**
USPC **D26/44**

(58) **Field of Classification Search**
USPC D26/37-51
CPC F21L 4/00; F21L 4/005; F21L 4/02; F21L 4/025; F21L 4/027; F21L 4/04; F21L 4/08; F21L 13/00; F21L 13/04; F21L 13/08; F21L 17/00; F21L 19/00

See application file for complete search history.

(56) **References Cited**

U.S. PATENT DOCUMENTS

D316,455	S	*	4/1991	Krol	D26/44
D436,199	S	*	1/2001	Lam	D26/42
D703,356	S	*	4/2014	Grandadam	D26/44
D703,357	S	*	4/2014	Grandadam	D26/44
8,905,572	B2	*	12/2014	Mueckl	F21V 15/01 362/191
D732,215	S	*	6/2015	Su	D26/37
D737,488	S	*	8/2015	Chen	D26/42
D739,063	S	*	9/2015	Su	D26/42
9,851,082	B2	*	12/2017	Thompson	F21L 4/027
D835,821	S	*	12/2018	Bao	D26/44
D839,462	S	*	1/2019	Chen	D26/42
D840,074	S	*	2/2019	Bao	D26/42
D840,075	S	*	2/2019	Bao	D26/44

D845,528	S	*	4/2019	Duarte	D26/44
D851,309	S	*	6/2019	Sharrah	D26/44
D853,609	S	*	7/2019	Uematsu	D26/44
D854,207	S	*	7/2019	Zheng	D26/44
D855,228	S	*	7/2019	Cooper	D26/44

(Continued)

OTHER PUBLICATIONS

sci.com.tw: C2-927 3-in-1 Inspection Lamp. Undated online product page. Retrieved on Oct. 19, 2020 from <https://www.sci.com.tw/public/files/products/1602062715-0.pdf> (Year: 2020).*

(Continued)

Primary Examiner — Sheryl Lane

Assistant Examiner — Stacey L Hopkins

(74) *Attorney, Agent, or Firm* — Che-Yang Chen; Law Office of Michael Chen

(57) **CLAIM**

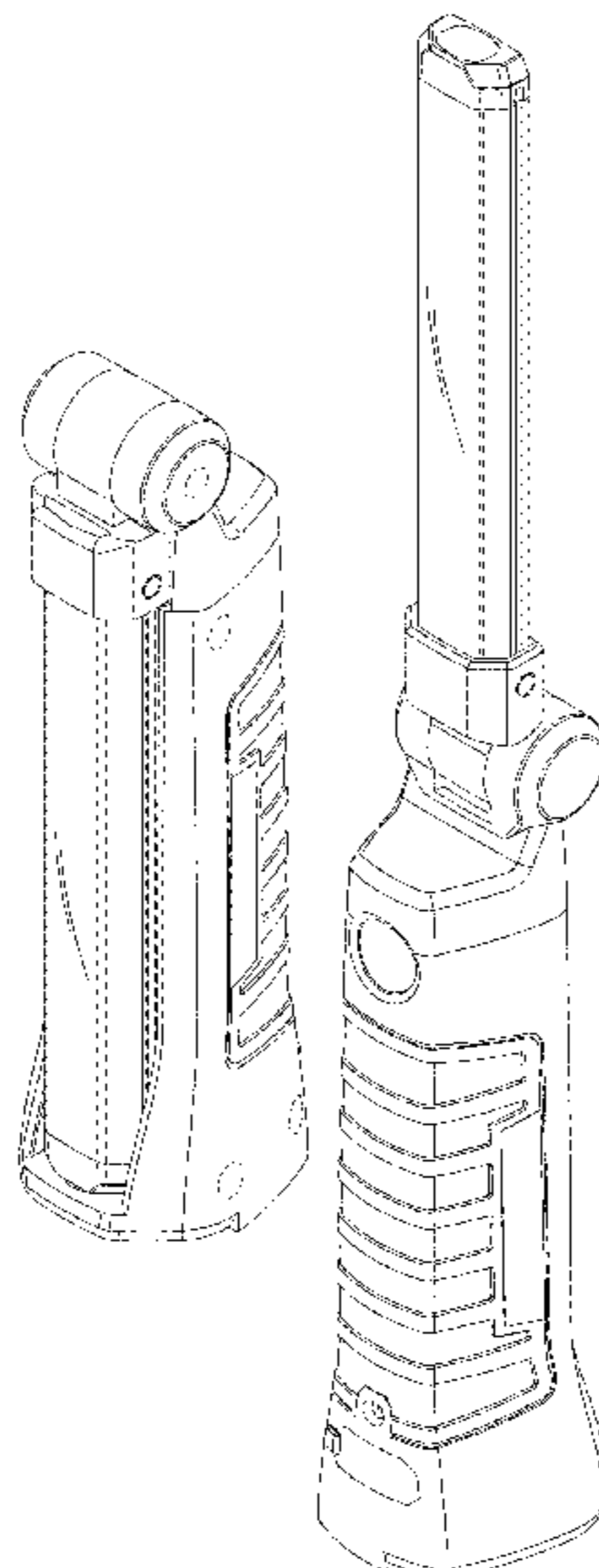
The ornamental design of a working light, as shown and described.

DESCRIPTION

FIG. 1 is a front perspective view of a working light showing my new design;
FIG. 2 is a front elevational view thereof;
FIG. 3 is a rear elevational view thereof;
FIG. 4 is a left side elevational view thereof;
FIG. 5 is a right side elevational view thereof;
FIG. 6 is a top plan view thereof;
FIG. 7 is a bottom plan view thereof;
FIG. 8 is a perspective view thereof in a fully unfolded state; and,
FIG. 9 is a perspective view thereof in a partially unfolded states.

The broken lines shown in the figures are for the purpose of illustrating portions of the working light which form no part of the claimed design.

1 Claim, 9 Drawing Sheets



(56)

References Cited

U.S. PATENT DOCUMENTS

D864,450 S	*	10/2019	Chen	D26/42
D879,344 S	*	3/2020	Bao	D26/42
D881,430 S	*	4/2020	Mao	D26/37
D887,054 S	*	6/2020	Zhang	D26/44
D898,258 S	*	10/2020	Bao	D26/44
D898,259 S	*	10/2020	Bao	D26/44

OTHER PUBLICATIONS

amazon.com: USB Rechargeable Work Light, Coquimbo COB LED Inspection Lamp. Date posted Feb. 21, 2019 [site visited Oct. 19, 2020]. Retrieved from internet: <<https://www.amazon.co.uk/Rechargeable-Coquimbo-Inspection-Flashlight-Emergency/dp/B07P4D2VZG/ref=...>> (Year: 2019).*

amazon.co.uk: Scangrip Lighting A1934137035610. Date posted May 22, 2017 [site visited Oct. 19, 2020]. Retrieved from internet: <https://www.amazon.co.uk/SCANGRIP-Rechargeable-Multi-directional-Light-03-5610/dp/B01NBDKJOA/ref=sr_1_3?dchild=1&keywords=scangrip+slim&qid=1603124817&sr=8-3> (Year: 2017).*

* cited by examiner

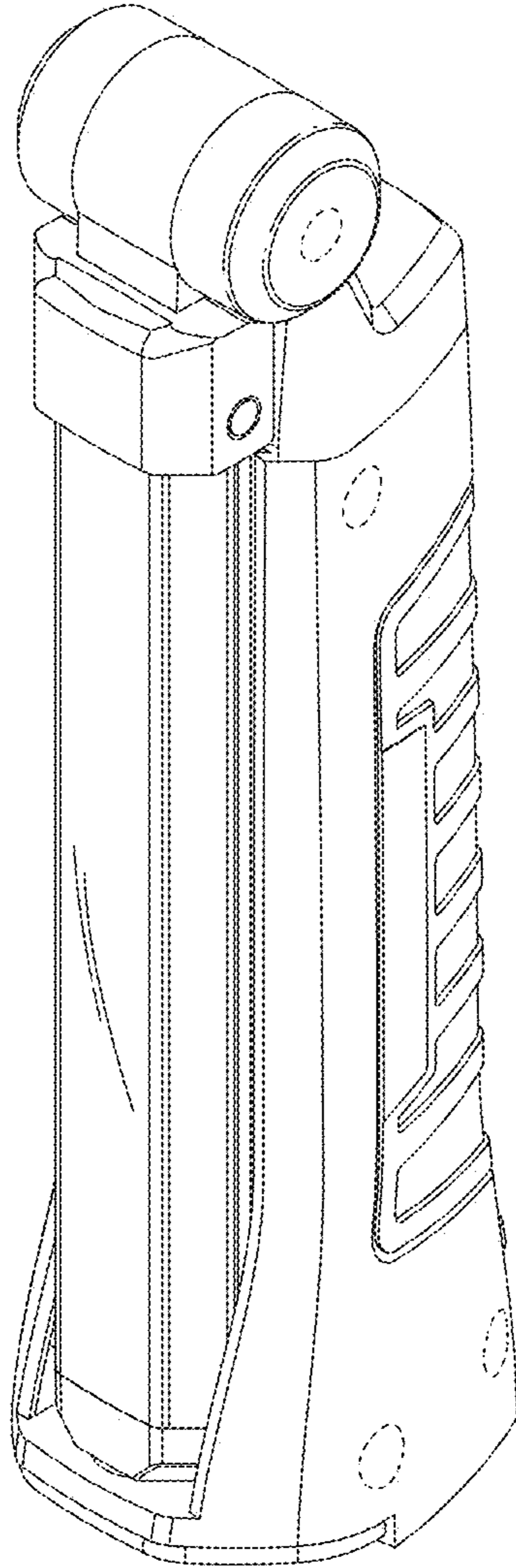


FIG.1

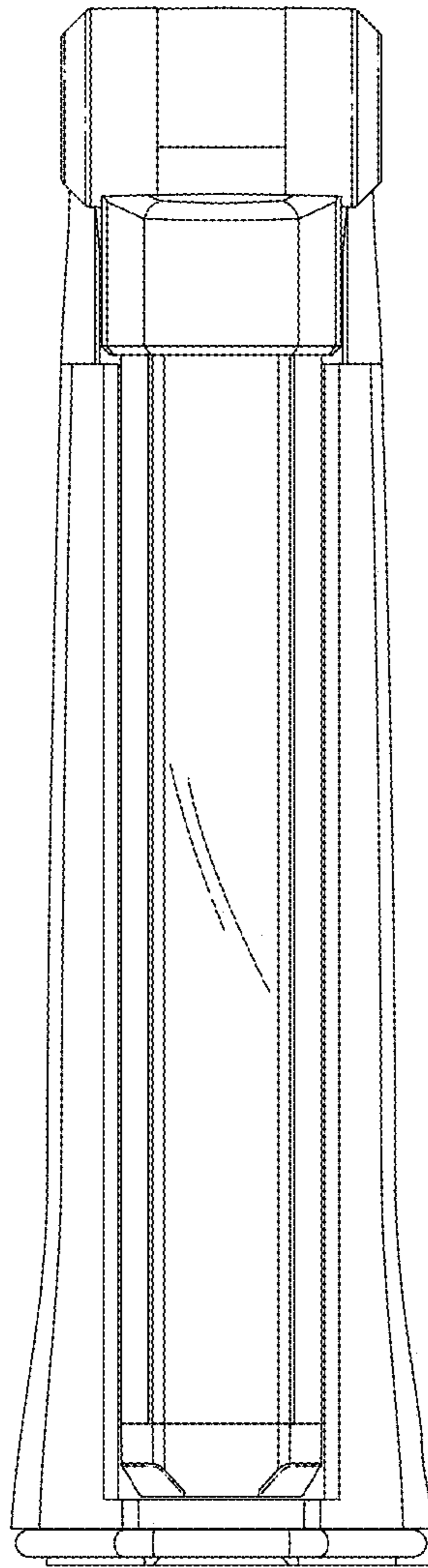


FIG. 2

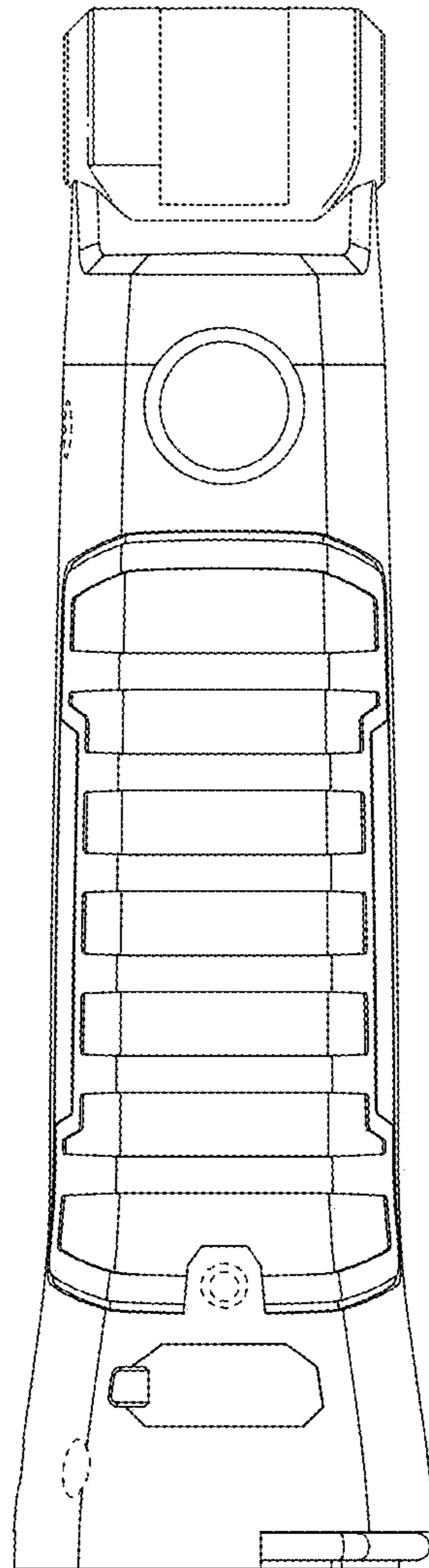


FIG.3

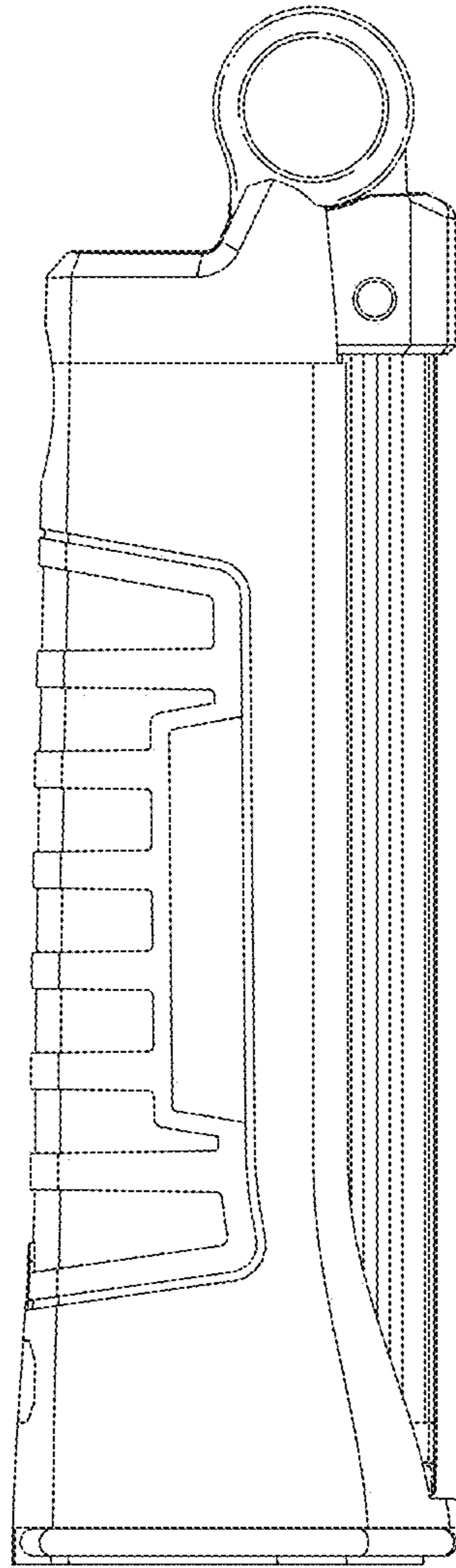


FIG.4

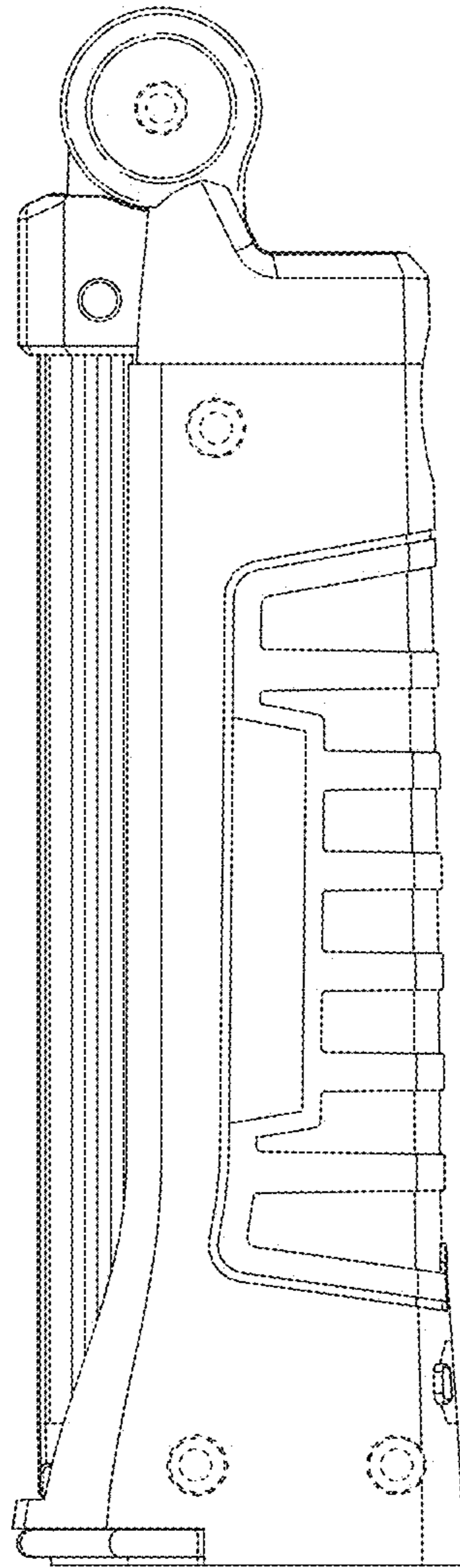


FIG.5

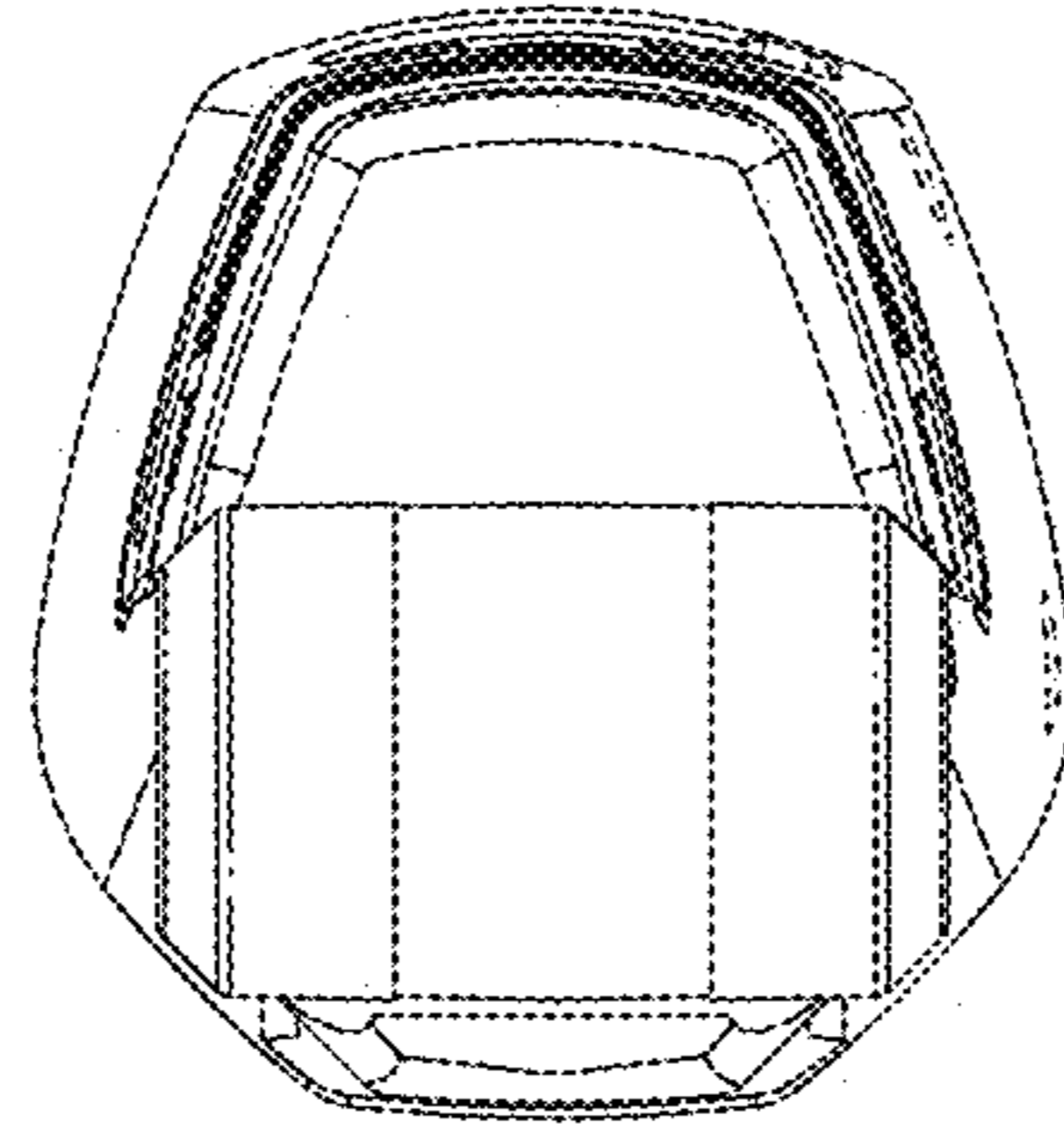


FIG.6

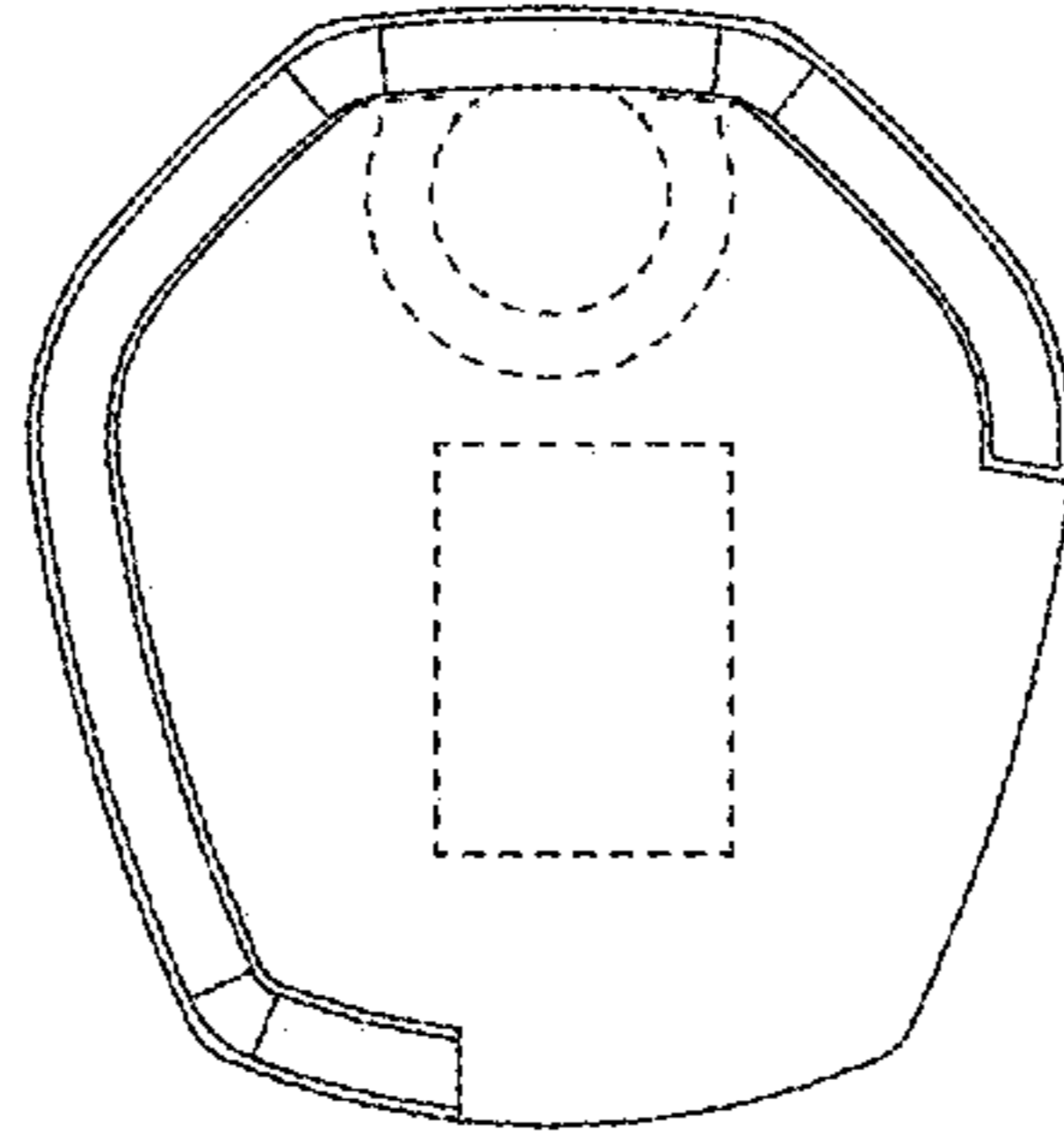


FIG. 7

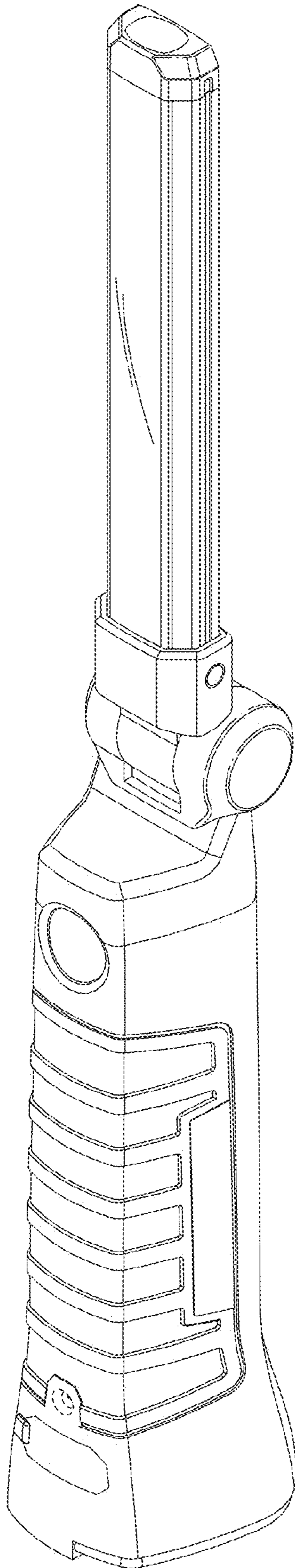


FIG.8

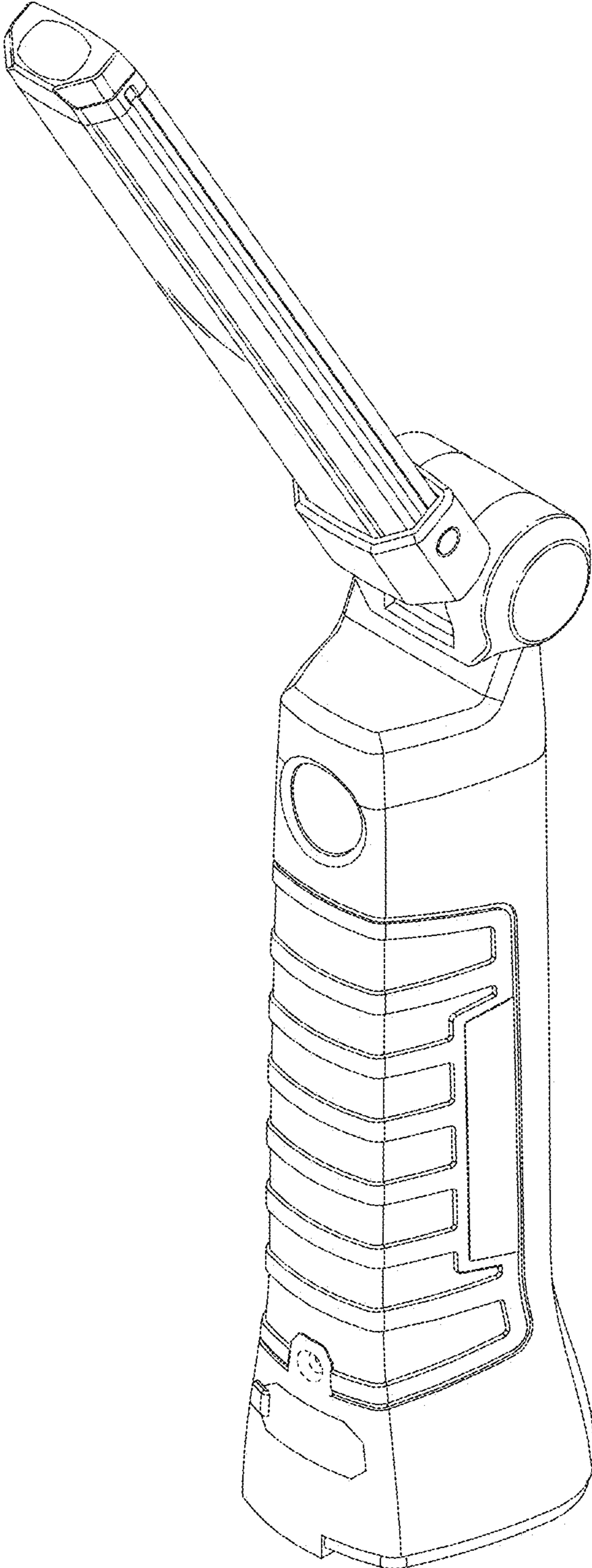


FIG.9