



US00D916339S

(12) **United States Design Patent**
Ormsbee et al.

(10) **Patent No.:** **US D916,339 S**

(45) **Date of Patent:** **** *Apr. 13, 2021**

(54) **BIKE WHEEL LIGHTING**

D332,838 S * 1/1993 Lu D10/120
D353,010 S * 11/1994 Izzo, Sr. D26/34

(71) Applicant: **Nite Ize, Inc.**, Boulder, CO (US)

* cited by examiner

(72) Inventors: **Bowden Ormsbee**, Longmont, CO (US); **Steven L. Lindquist**, Broomfield, CO (US)

Primary Examiner — Marcus A Jackson

(74) *Attorney, Agent, or Firm* — Haynes and Boone, LLP

(73) Assignee: **Nite Ize, Inc.**, Boulder, CO (US)

(*) Notice: This patent is subject to a terminal disclaimer.

(**) Term: **15 Years**

(21) Appl. No.: **29/671,992**

(22) Filed: **Nov. 30, 2018**

(51) **LOC (13) Cl.** **26-06**

(52) **U.S. Cl.**
USPC **D26/34**

(58) **Field of Classification Search**
USPC D26/28–36, 139
CPC F21S 48/00; F21S 48/10; F21S 48/115;
F21S 48/225; F21S 48/1233; F21S 48/1266; F21S 48/1388; F21S 48/2268;
F21V 21/04; F21V 29/004; B60Q 9/13;
B60Q 9/135; B60Q 9/1375
See application file for complete search history.

(56) **References Cited**

U.S. PATENT DOCUMENTS

D260,443 S * 8/1981 Courtney D26/34
D288,246 S * 2/1987 Wing D10/120

(57) **CLAIM**

The ornamental design for the bike wheel lighting, as shown and described.

DESCRIPTION

FIG. 1 shows a front perspective view of a bike wheel lighting;
FIG. 2 shows a rear perspective view of the bike wheel lighting of FIG. 1;
FIG. 3 shows a front view of the bike wheel lighting of FIG. 1; and
FIG. 4 shows a rear view of the bike wheel lighting of FIG. 1;
FIG. 5 shows a left-side view of the bike wheel lighting of FIG. 1;
FIG. 6 shows a right-side view of the bike wheel lighting of FIG. 1;
FIG. 7 shows a top view of the bike wheel lighting of FIG. 1; and,
FIG. 8 shows a bottom view of the bike wheel lighting of FIG. 1.

1 Claim, 3 Drawing Sheets

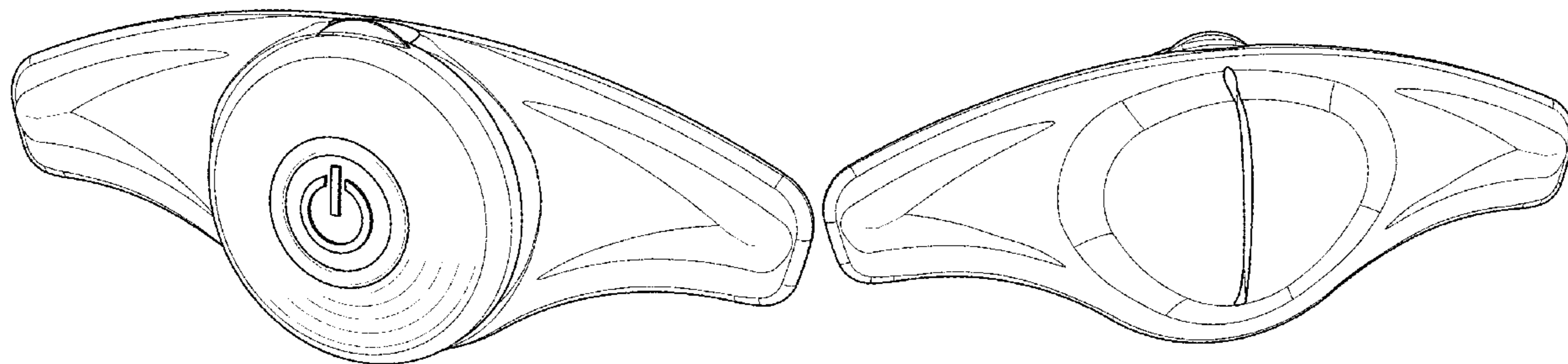


FIG. 1

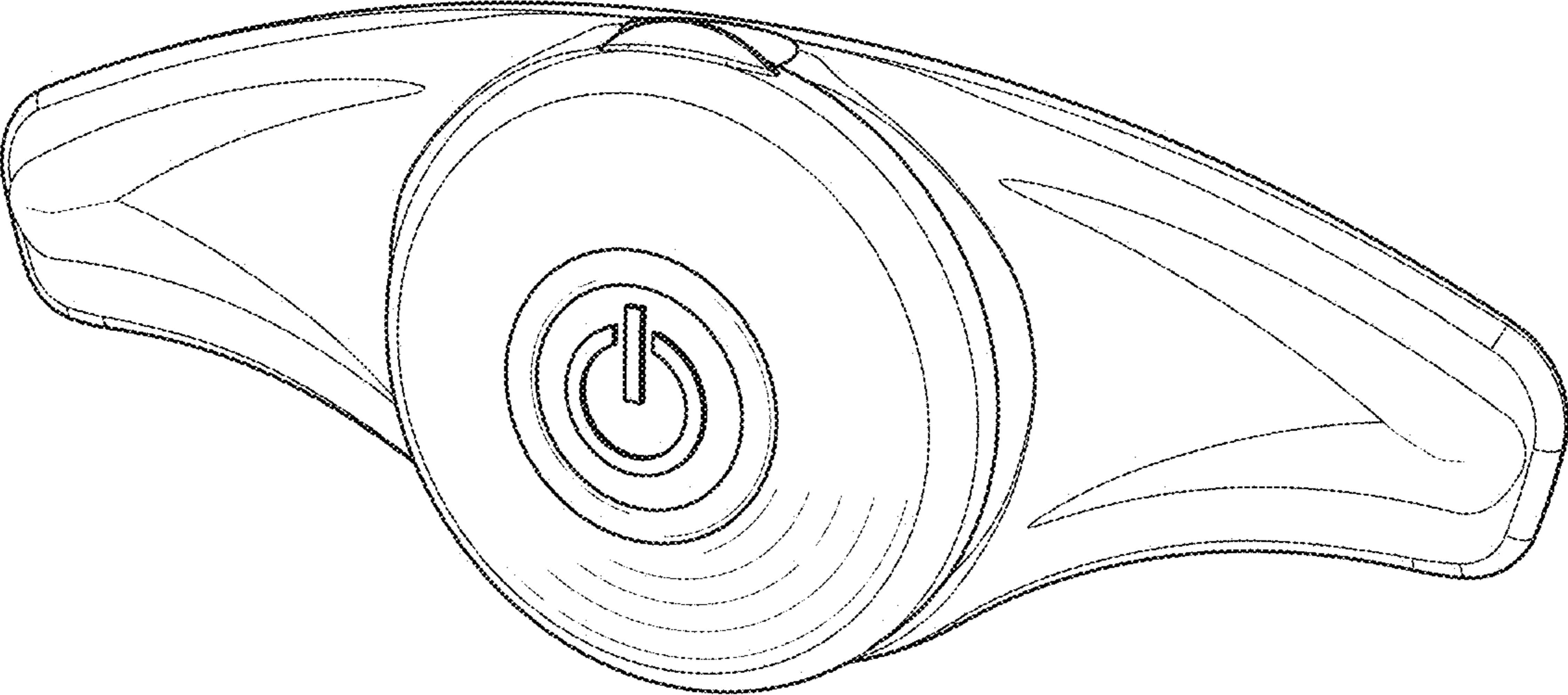


FIG. 2

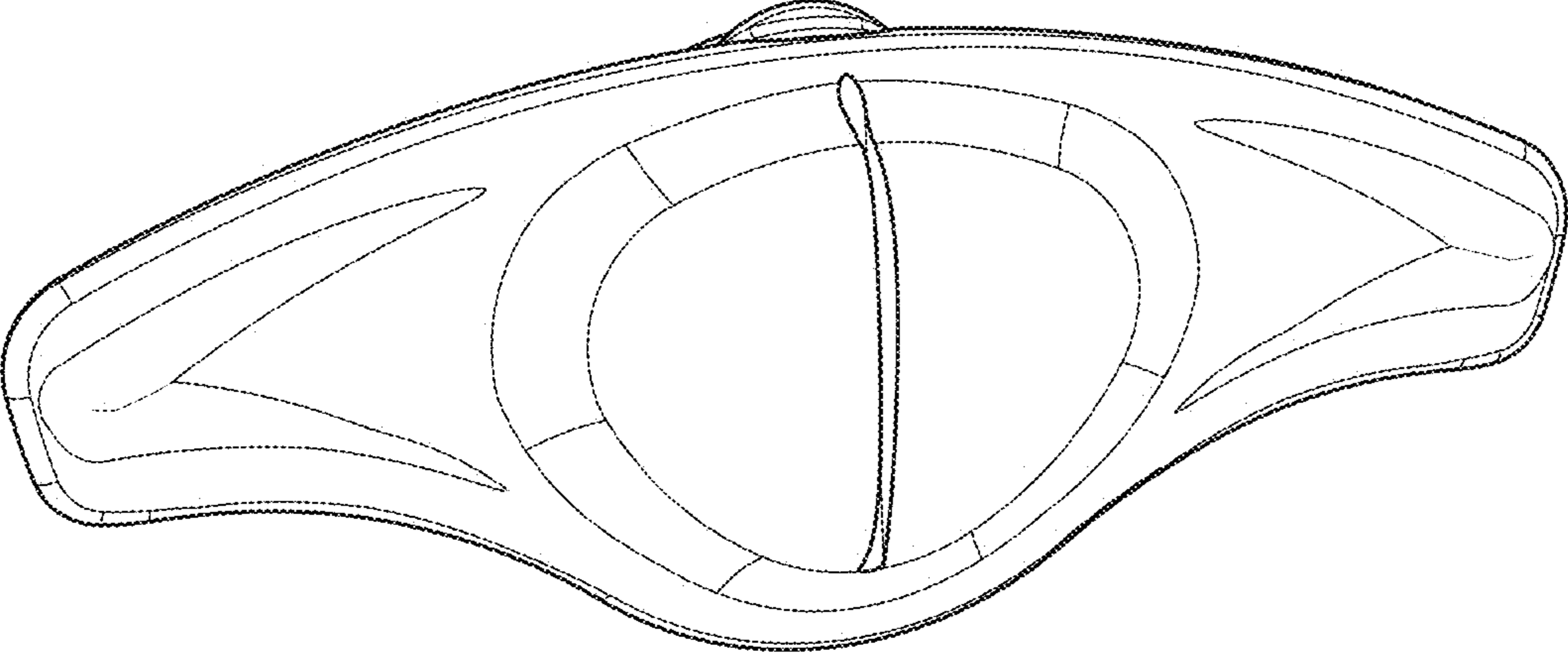


FIG. 3

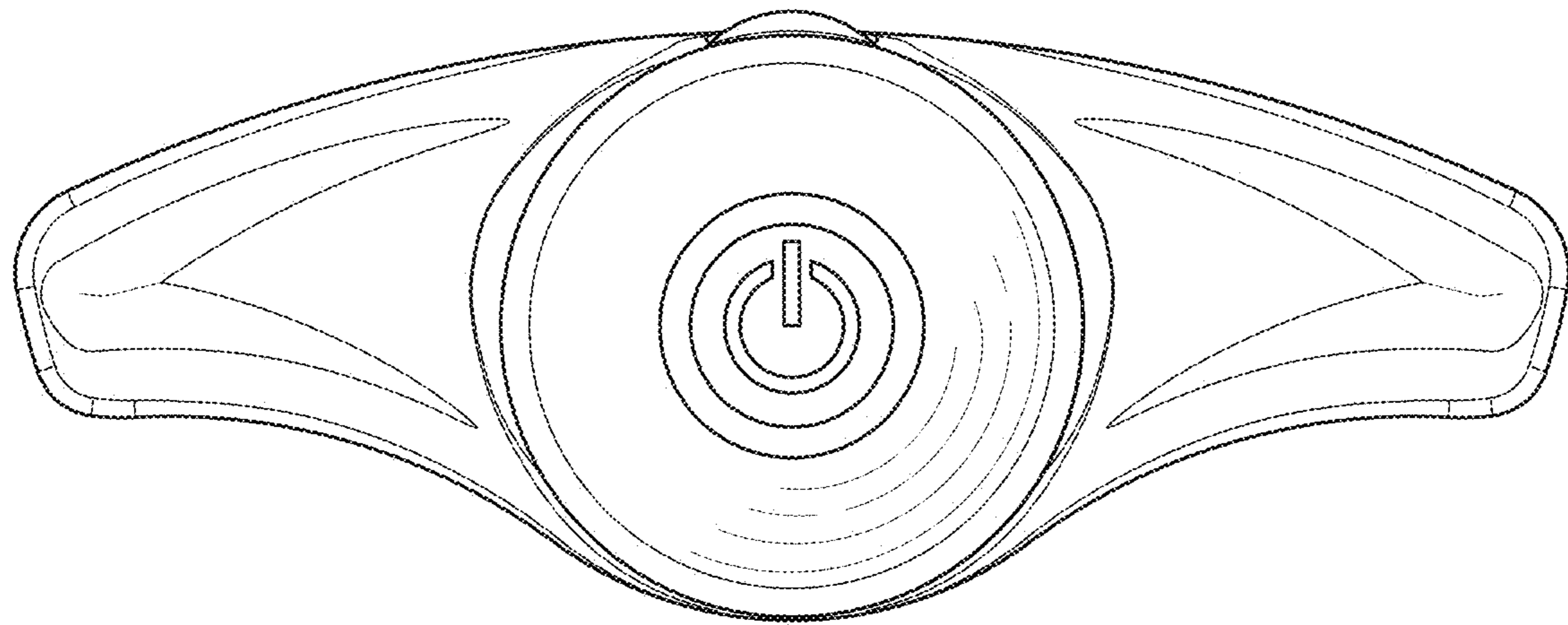


FIG. 4

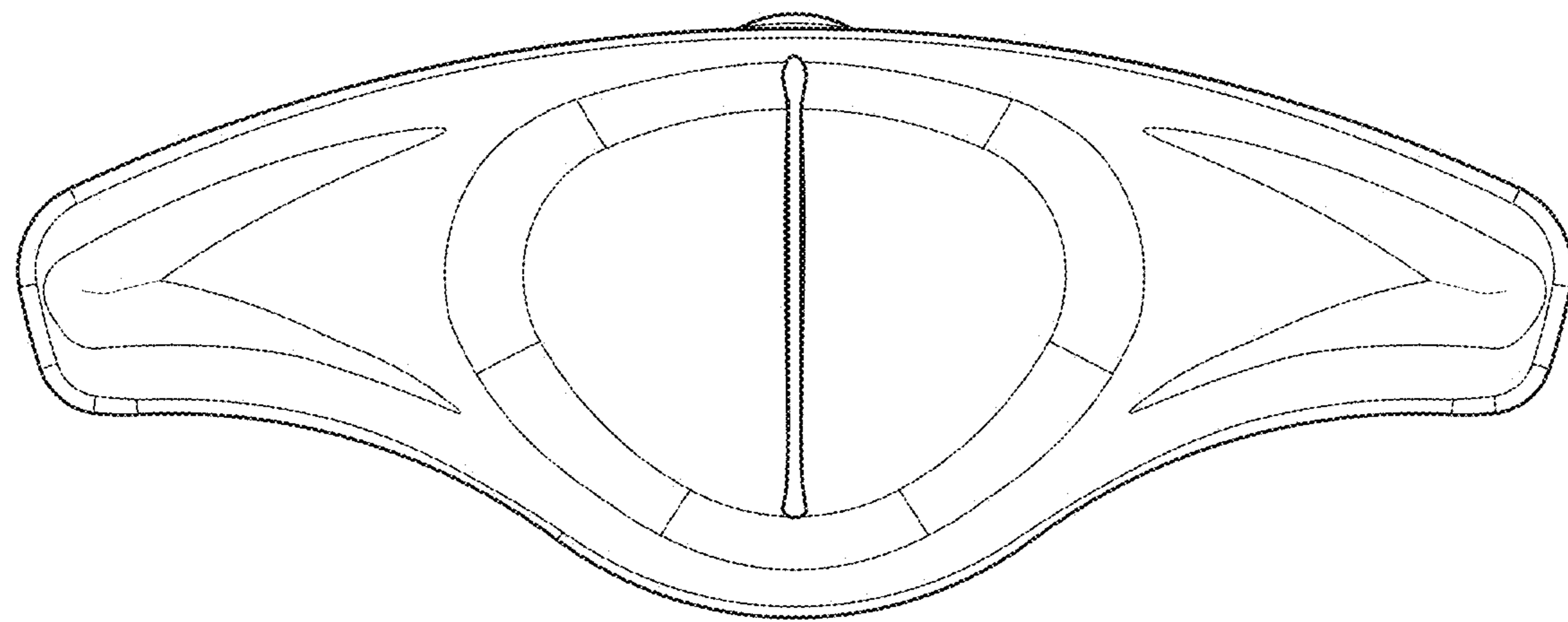


FIG. 5

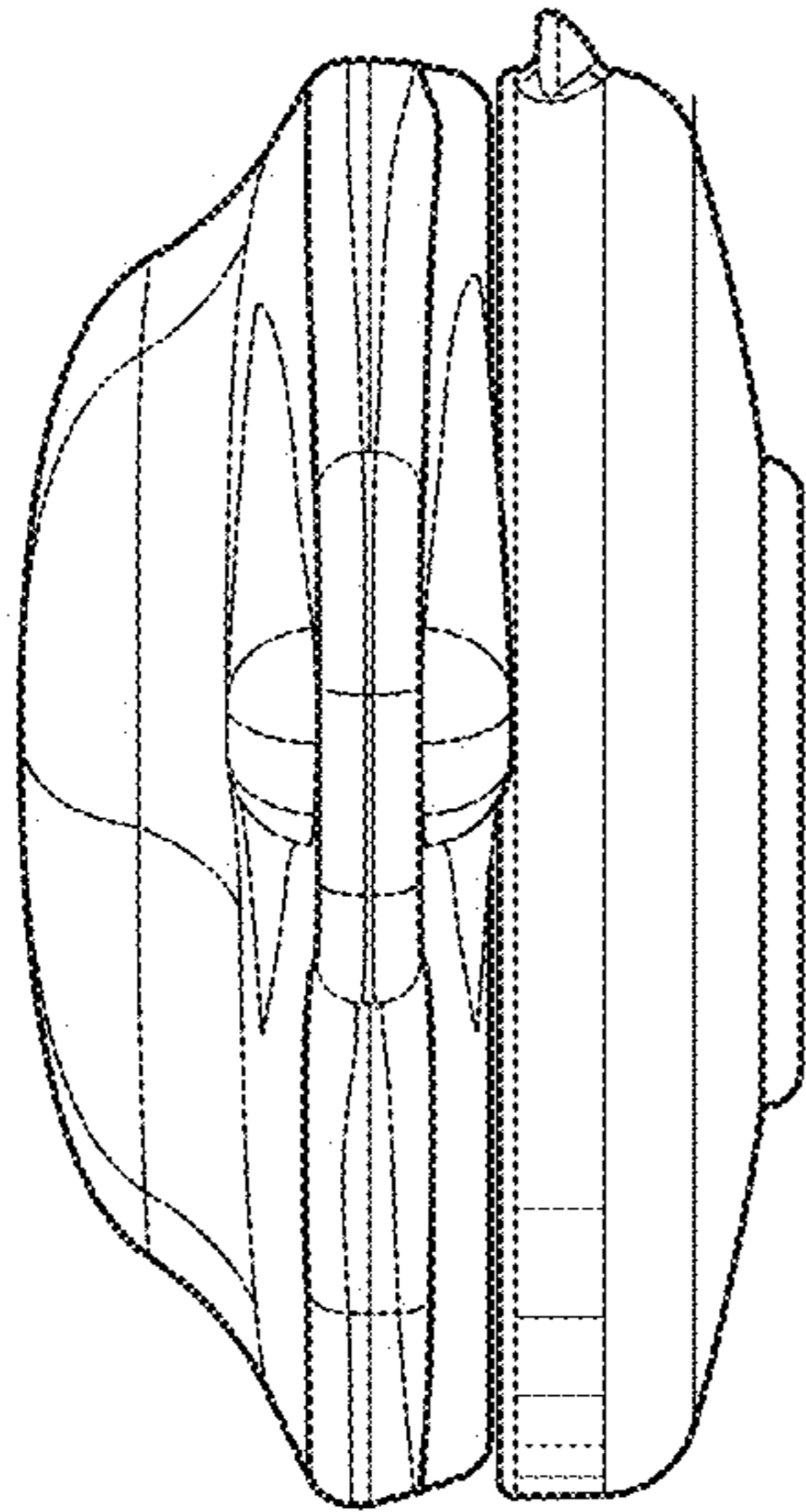


FIG. 6

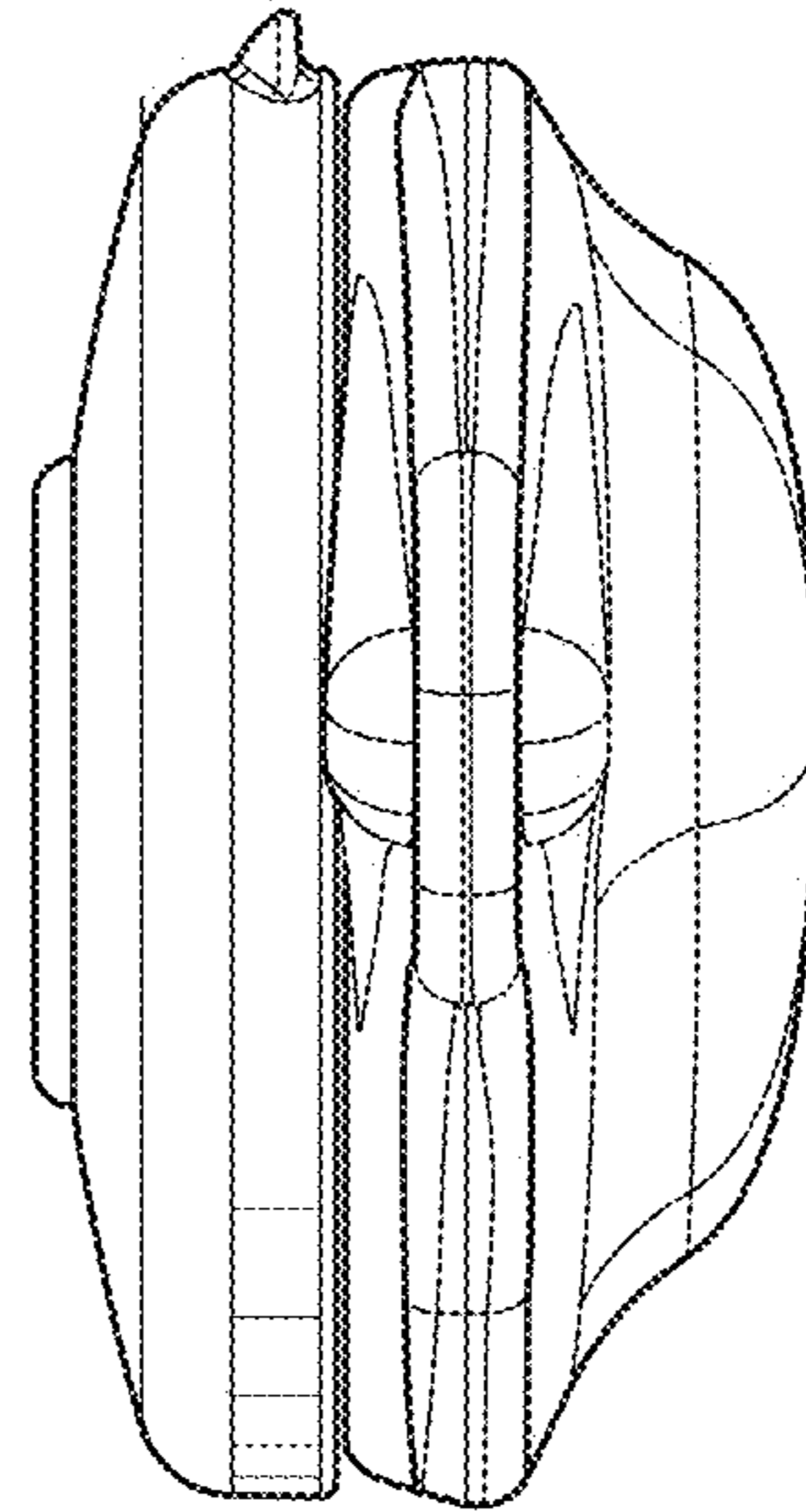


FIG. 7

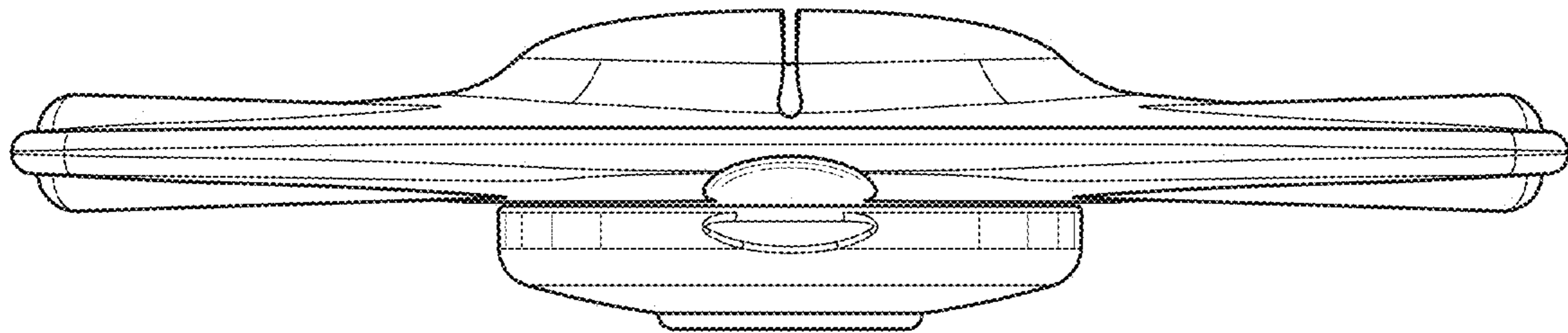


FIG. 8

