



US00D916338S

(12) **United States Design Patent** (10) **Patent No.:** **US D916,338 S**
Choi et al. (45) **Date of Patent:** **** Apr. 13, 2021**

(54) **REAR COMBINATION LAMP FOR AN AUTOMOBILE**
(71) Applicants: **Kia Motors Corporation**, Seoul (KR); **Hyundai Motor Company**, Seoul (KR)
(72) Inventors: **Hong Seok Choi**, Incheon (KR); **Jin Hyun Kim**, Suwon-si (KR)
(73) Assignees: **Hyundai Motor Company**, Seoul (KR); **Kia Motors Corporation**, Seoul (KR)

D721,839 S * 1/2015 Ha D26/28
D749,252 S * 2/2016 Nakahara D26/28
D756,003 S * 5/2016 Kong D26/28
D798,474 S * 9/2017 Wheel D26/28
D816,246 S * 4/2018 Hannemann D26/28
D834,227 S * 11/2018 Lee D26/28
D834,229 S * 11/2018 Lee D26/28
D858,826 S * 9/2019 Han D26/28

(**) Term: **15 Years**

(21) Appl. No.: **35/508,327**

(22) Filed: **Jul. 10, 2019**

(80) **Hague Agreement Data**

Int. Filing Date: **Jul. 10, 2019**
Int. Reg. No.: **DM/203952**
Int. Reg. Date: **Jul. 10, 2019**
Int. Reg. Pub. Date: **Jan. 10, 2020**

(51) **LOC (13) Cl.** **26-06**

(52) **U.S. Cl.**
USPC **D26/28**

(58) **Field of Classification Search**
USPC D26/28, 29, 34-36
CPC .. F21S 41/00; F21S 41/20; F21S 41/30; F21S 43/14; F21S 43/15; F21S 43/20; B60Q 1/30; B60Q 1/2607; B60Q 1/2619; B60Q 1/2696; B62J 6/04
See application file for complete search history.

(56) **References Cited**

U.S. PATENT DOCUMENTS

D705,962 S * 5/2014 Hildebrand D26/28
D719,691 S * 12/2014 Nordmann D26/28

FOREIGN PATENT DOCUMENTS

EM 007099148-0001 * 11/2019
WO D203952-001 * 1/2020

* cited by examiner

Primary Examiner — Kevin K Rudzinski

Assistant Examiner — Richard Kearney

(74) *Attorney, Agent, or Firm* — Mintz Levin Cohn Ferris Glovsky and Popeo, P.C.; Peter F. Corless; Carolina E. Sève

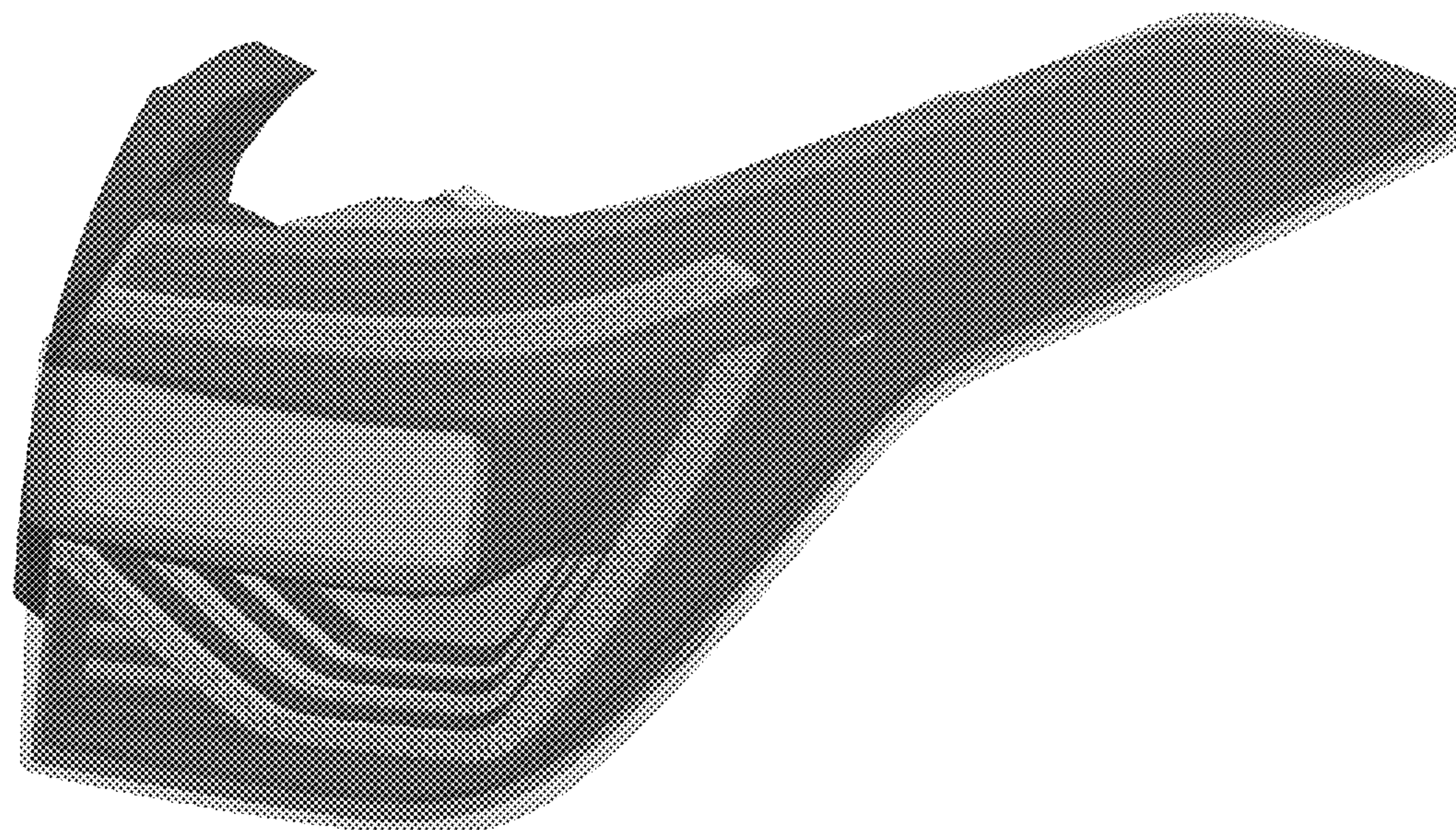
(57) **CLAIM**

The ornamental design for a rear combination lamp for an automobile, as shown and described.

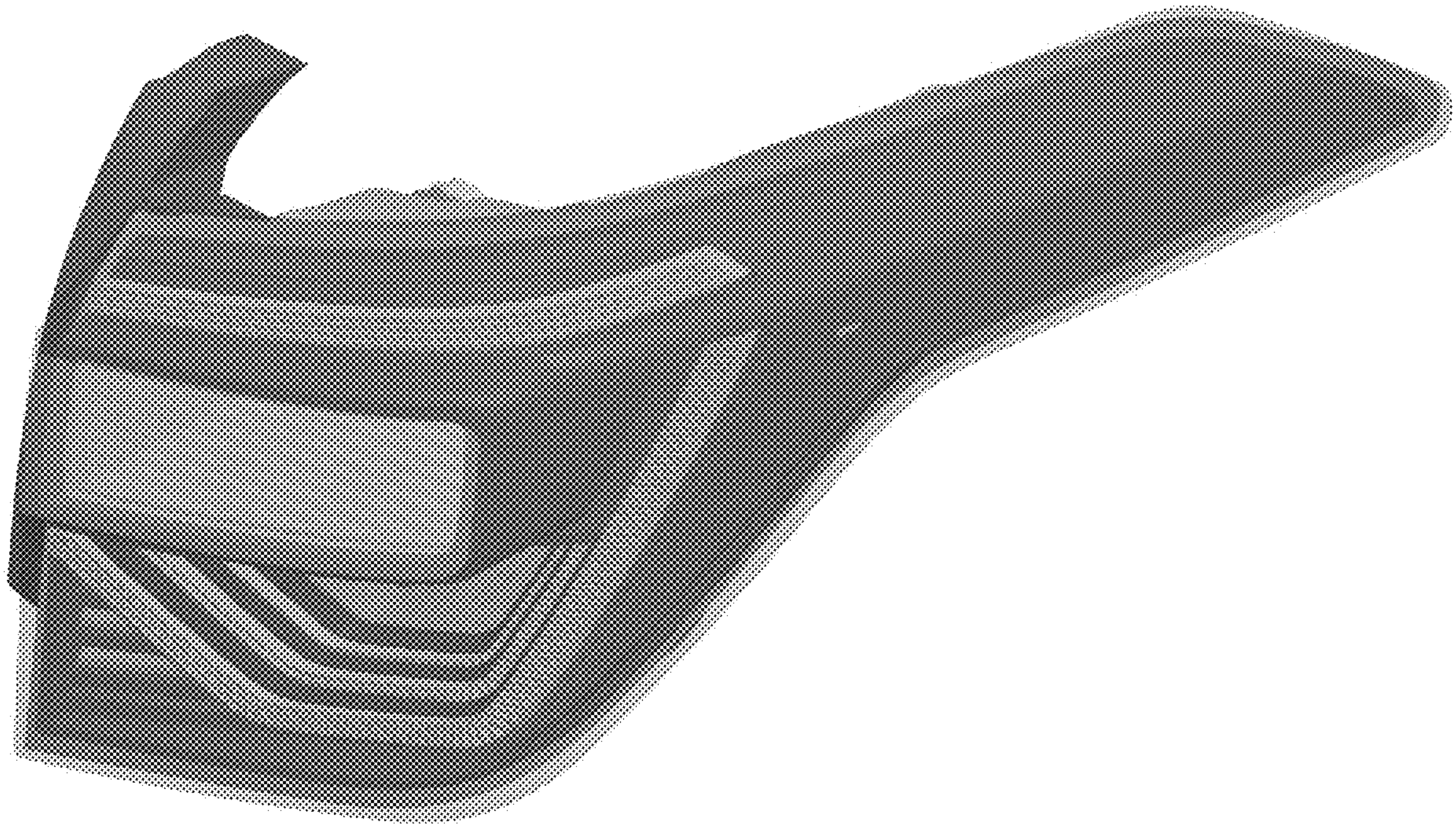
DESCRIPTION

- 1. Rear combination lamp for an automobile
- 1.1 : Perspective
- 1.2 : Front
- 1.3 : Back
- 1.4 : Left
- 1.5 : Right
- 1.6 : Top
- 1.7 : Bottom

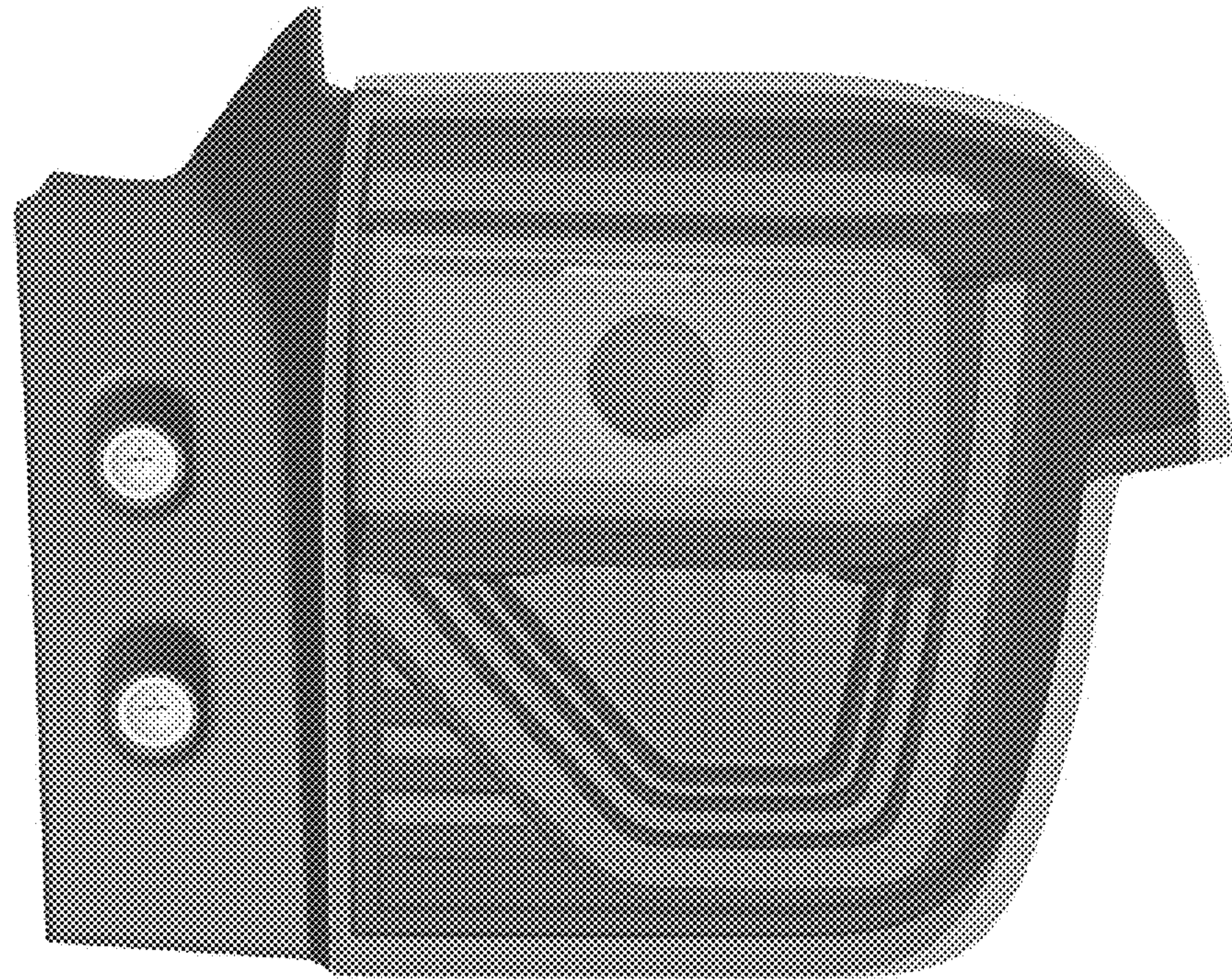
1 Claim, 7 Drawing Sheets



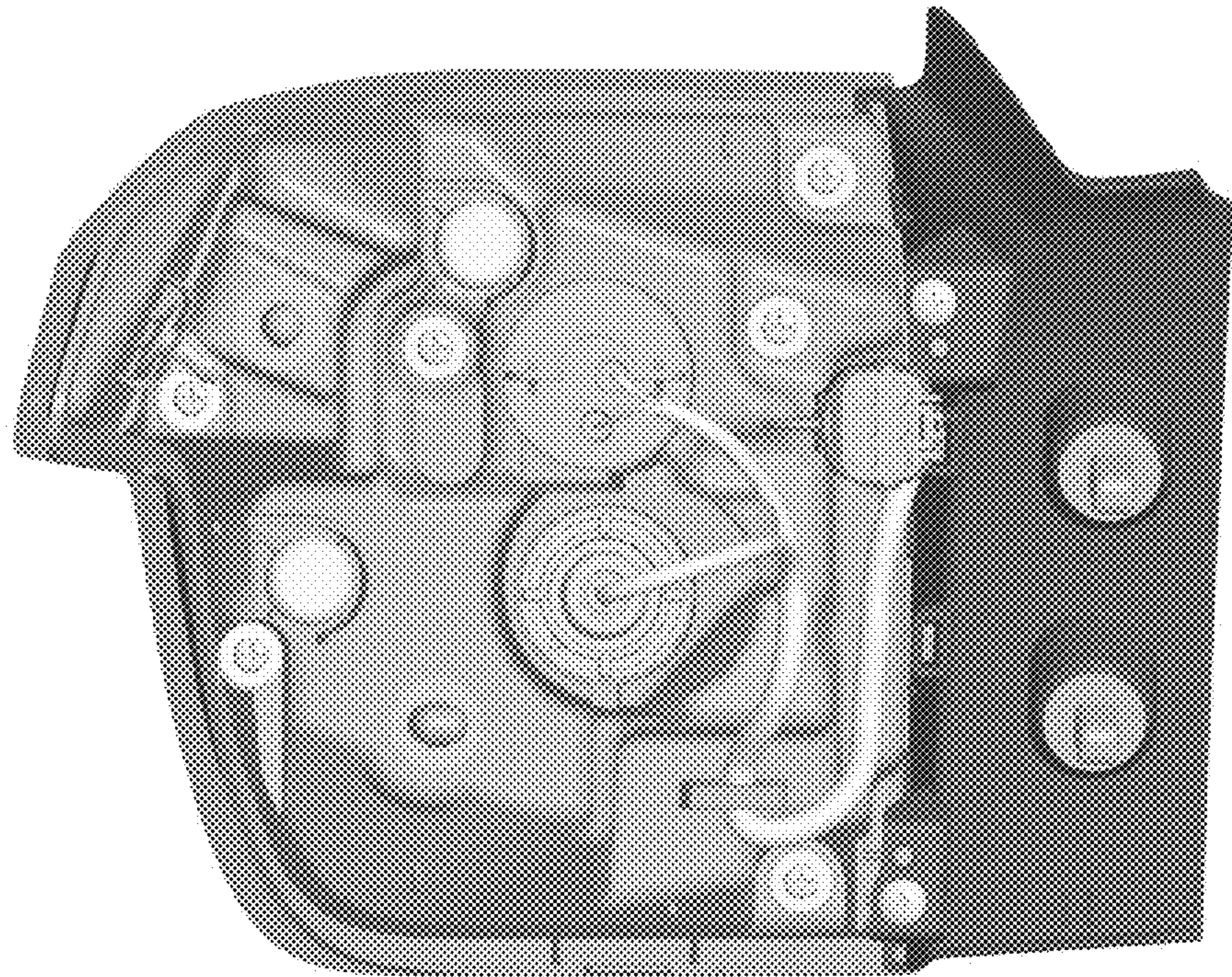
1.1



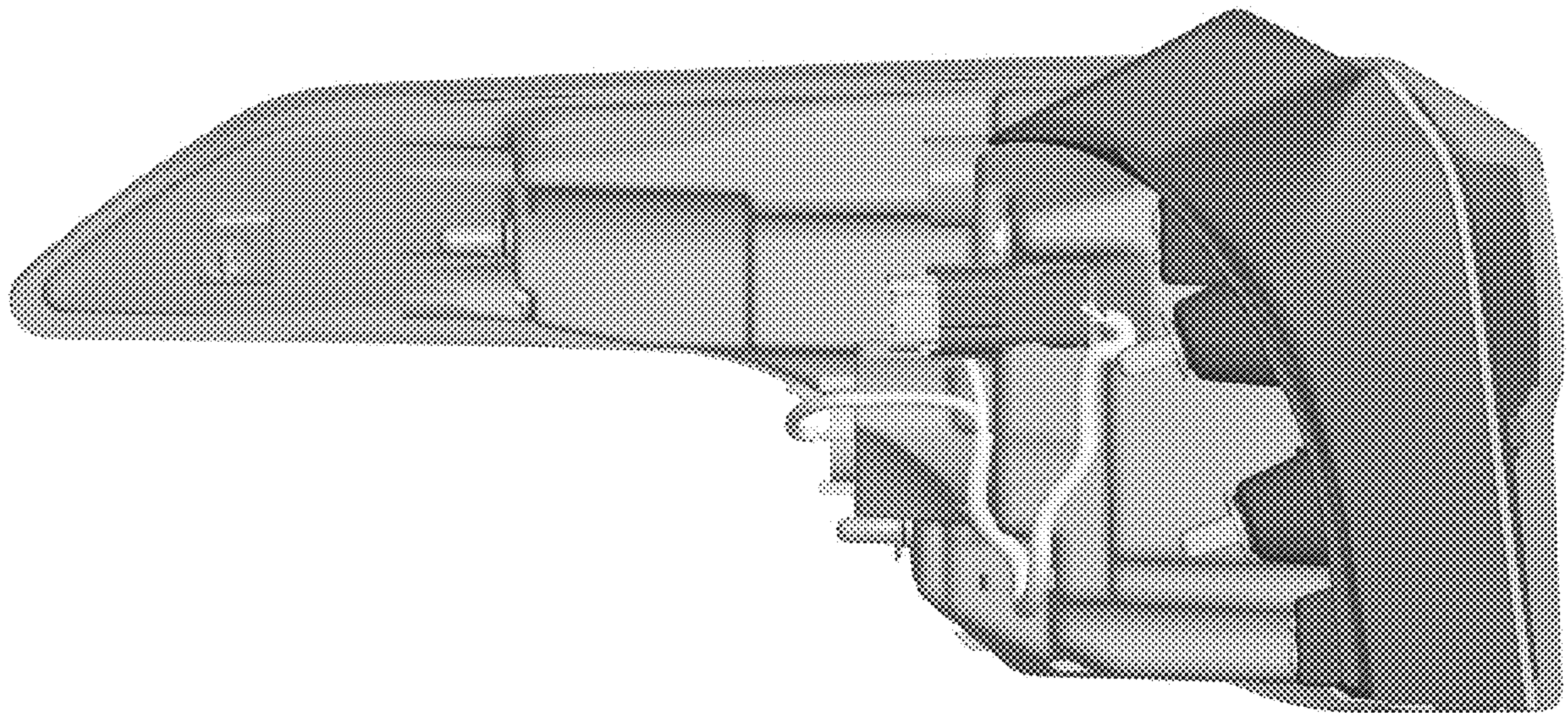
1.2



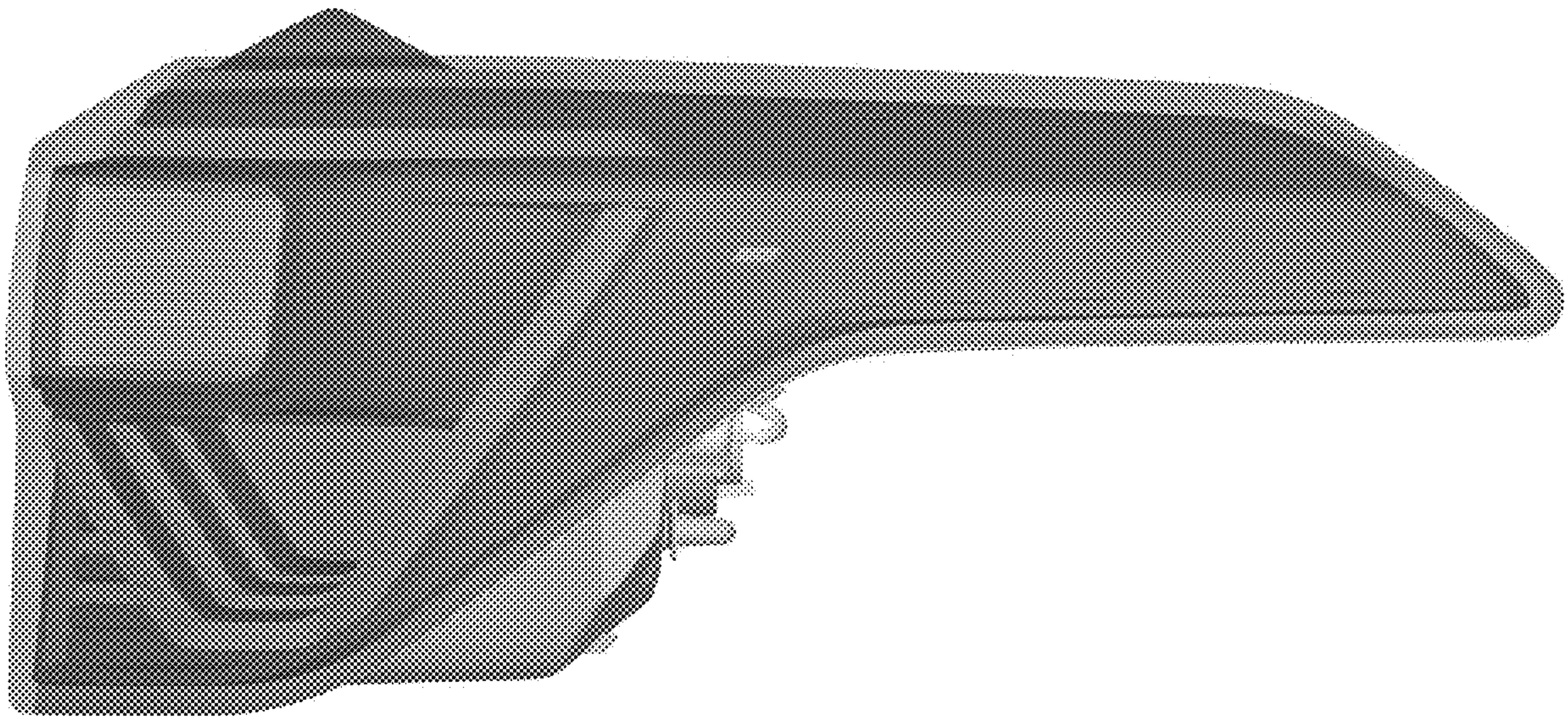
1.3



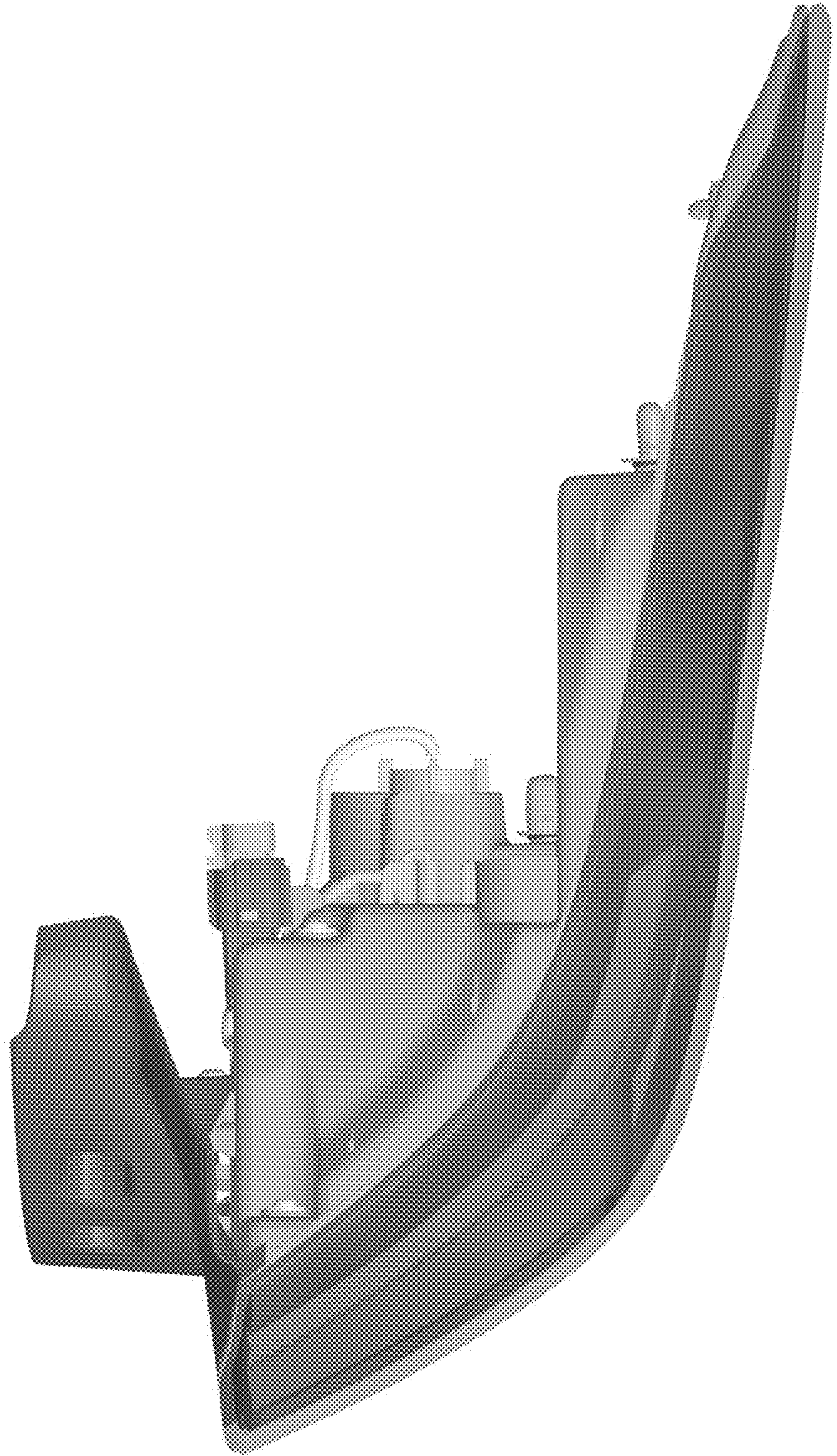
1.4



1.5



1.6



1.7

