



US00D916334S

(12) **United States Design Patent**
Zhou

(10) **Patent No.:** **US D916,334 S**
(45) **Date of Patent:** **** Apr. 13, 2021**

- (54) **LAMPS**
- (71) Applicant: **YIWU PUHONG TRADING CO., LTD**, Yiwu (CN)
- (72) Inventor: **Hongxue Zhou**, Linhai (CN)
- (73) Assignee: **YIWU PUHONG TRADING CO., LTD**, Yiwu (CN)
- (**) Term: **15 Years**
- (21) Appl. No.: **29/753,144**
- (22) Filed: **Sep. 30, 2020**
- (51) **LOC (13) Cl.** **26-25**
- (52) **U.S. Cl.**
USPC **D26/25**
- (58) **Field of Classification Search**
USPC D26/2, 25, 67, 68; D11/118, 128, 576, D11/629
CPC F21S 4/00; F21S 4/001; F21S 4/002; F21S 4/003; F21S 4/005; F21W 2121/00; F21W 2121/004
See application file for complete search history.

- 9,186,824 B2 * 11/2015 Klaves A63H 3/365
- D821,257 S * 6/2018 Parisi D11/128
- D827,898 S * 9/2018 Li D26/67
- 10,247,391 B2 * 4/2019 Adams, IV F21V 21/0824
- D869,013 S * 12/2019 Zhu D26/25
- 2007/0223321 A1 * 9/2007 Helwegen G11B 7/0857
369/30.1
- 2016/0025309 A1 * 1/2016 Zhang F21V 21/0824
362/382
- 2018/0187867 A1 * 7/2018 Adams, IV F21V 17/02

* cited by examiner

Primary Examiner — Brian N. Vinson

(57) **CLAIM**

The ornamental design for lamps, as shown and described.

DESCRIPTION

FIG. 1 is a perspective view of lamps showing my new design;
 FIG. 2 is another perspective view thereof;
 FIG. 3 is a front elevational view thereof;
 FIG. 4 is a rear elevational view thereof;
 FIG. 5 is a left side elevational view thereof;
 FIG. 6 is a right side elevational view thereof;
 FIG. 7 is a top plan view thereof;
 FIG. 8 is a bottom plan view thereof; and,
 FIG. 9 is a perspective view of the lamps in a configuration of use.

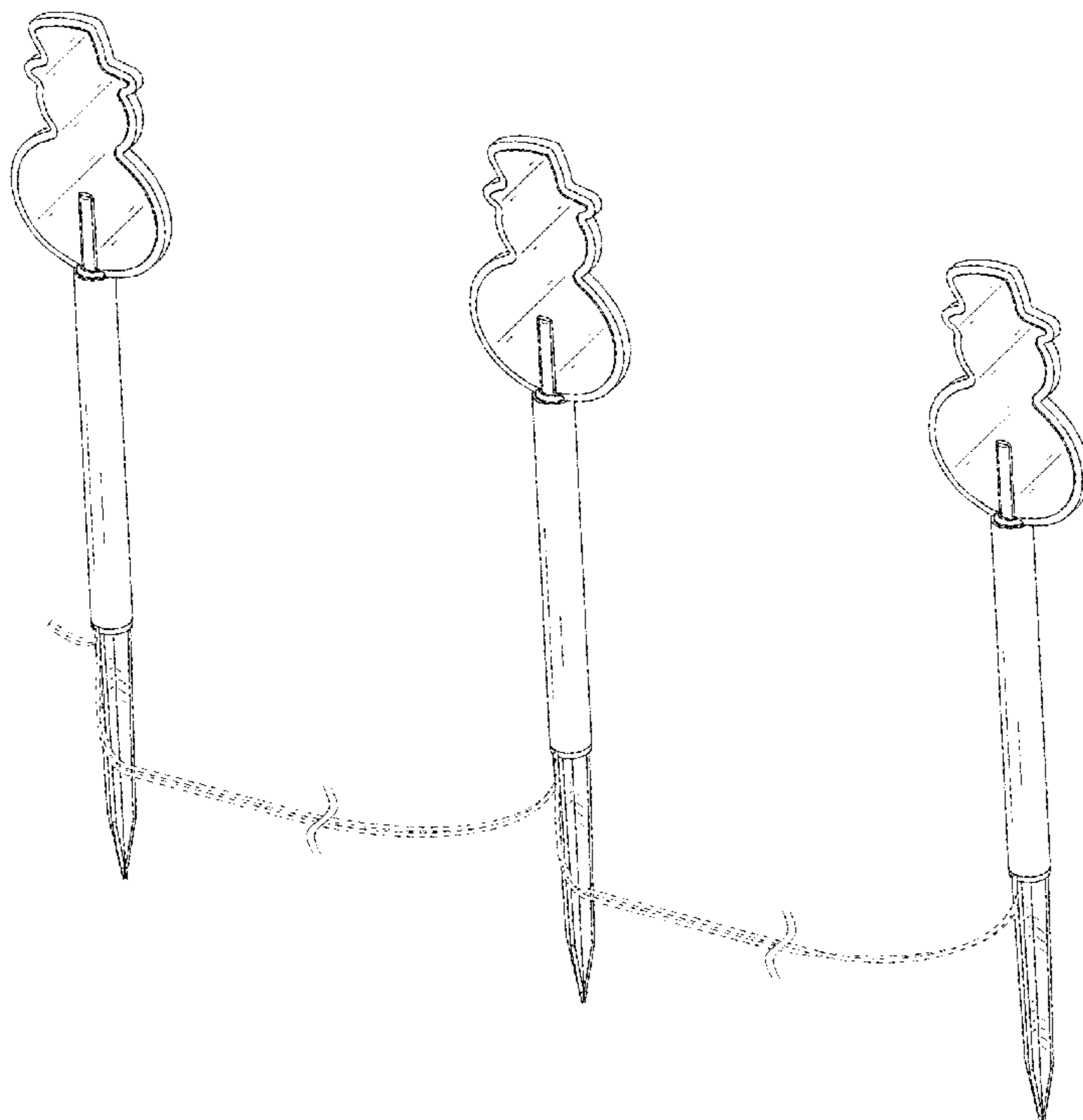
The lamps are shown with a symbolic break in its length and the appearance of any portion of the lamps between the break lines form no part of the claimed design. The broken lines in the drawings depict portions of the lamps that form no part of the claimed design.

1 Claim, 9 Drawing Sheets

(56) **References Cited**

U.S. PATENT DOCUMENTS

- D168,248 S * 11/1952 Woofler D21/629
- D479,618 S * 9/2003 Lamonto
- 6,617,803 B2 * 9/2003 Harris H05B 47/23
315/185 R
- D541,462 S * 4/2007 Mama D10/111
- D554,790 S * 11/2007 Graham D26/25
- D565,209 S * 3/2008 Van Dyn Hoven



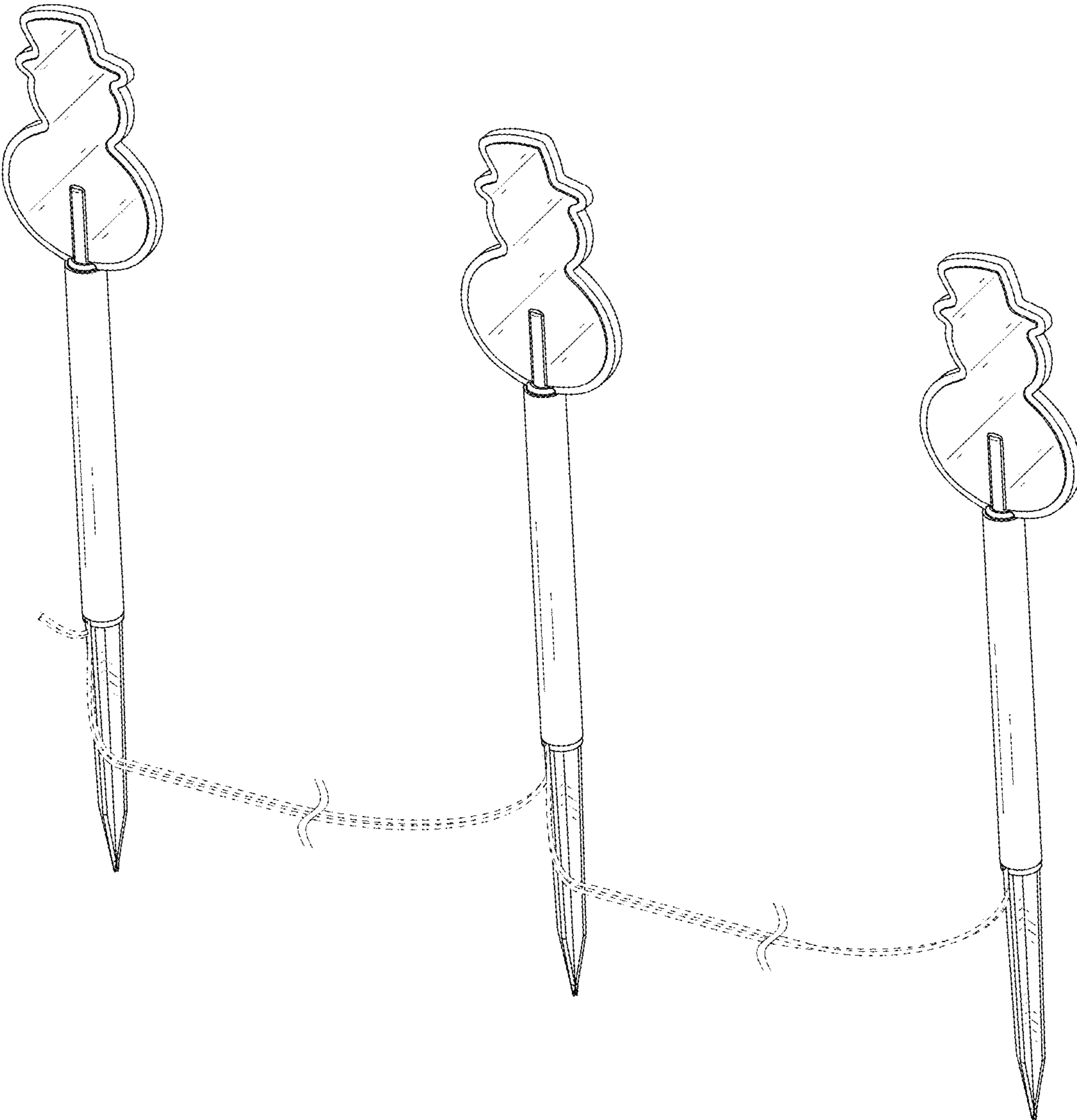


FIG. 1

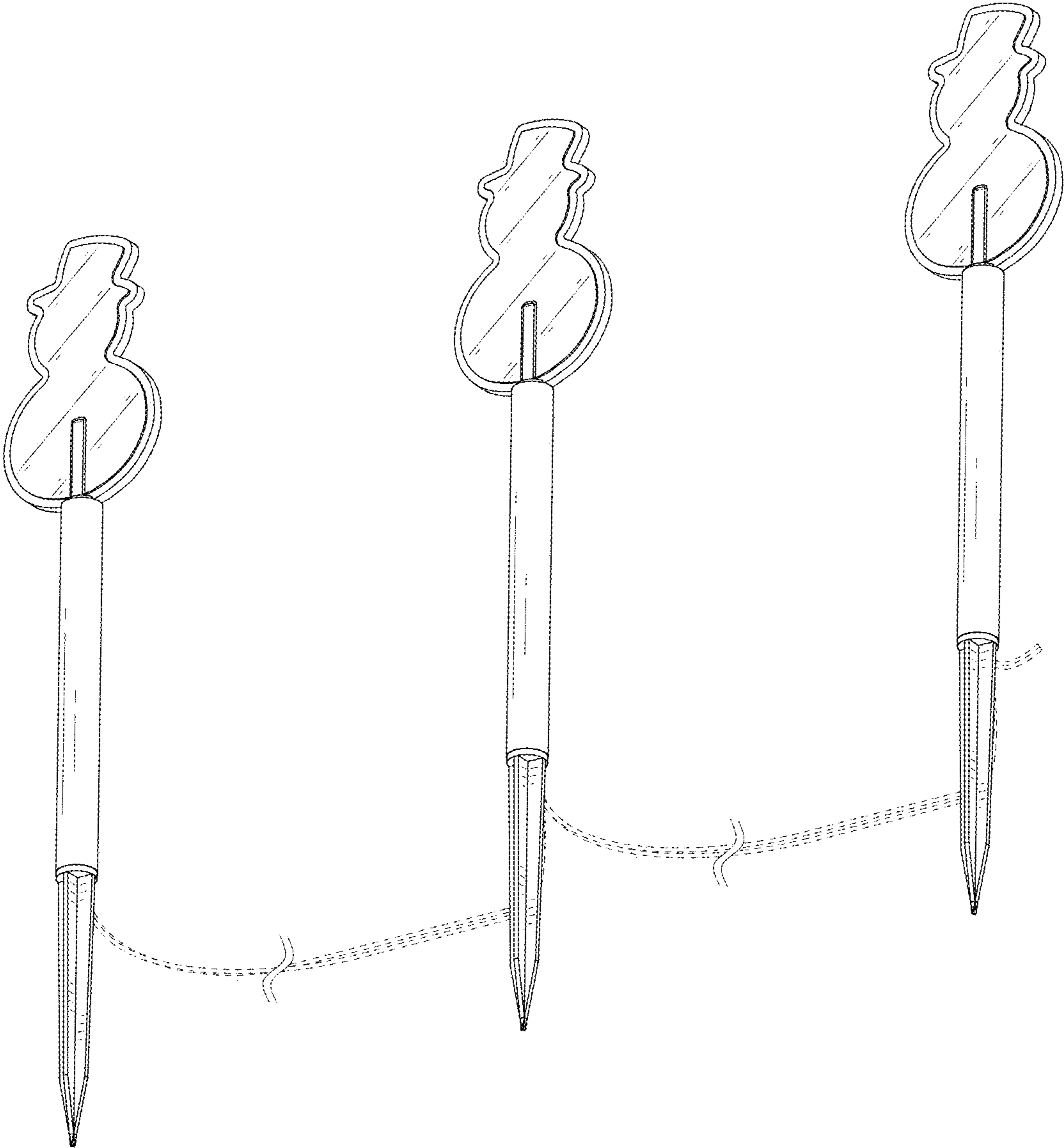


FIG. 2

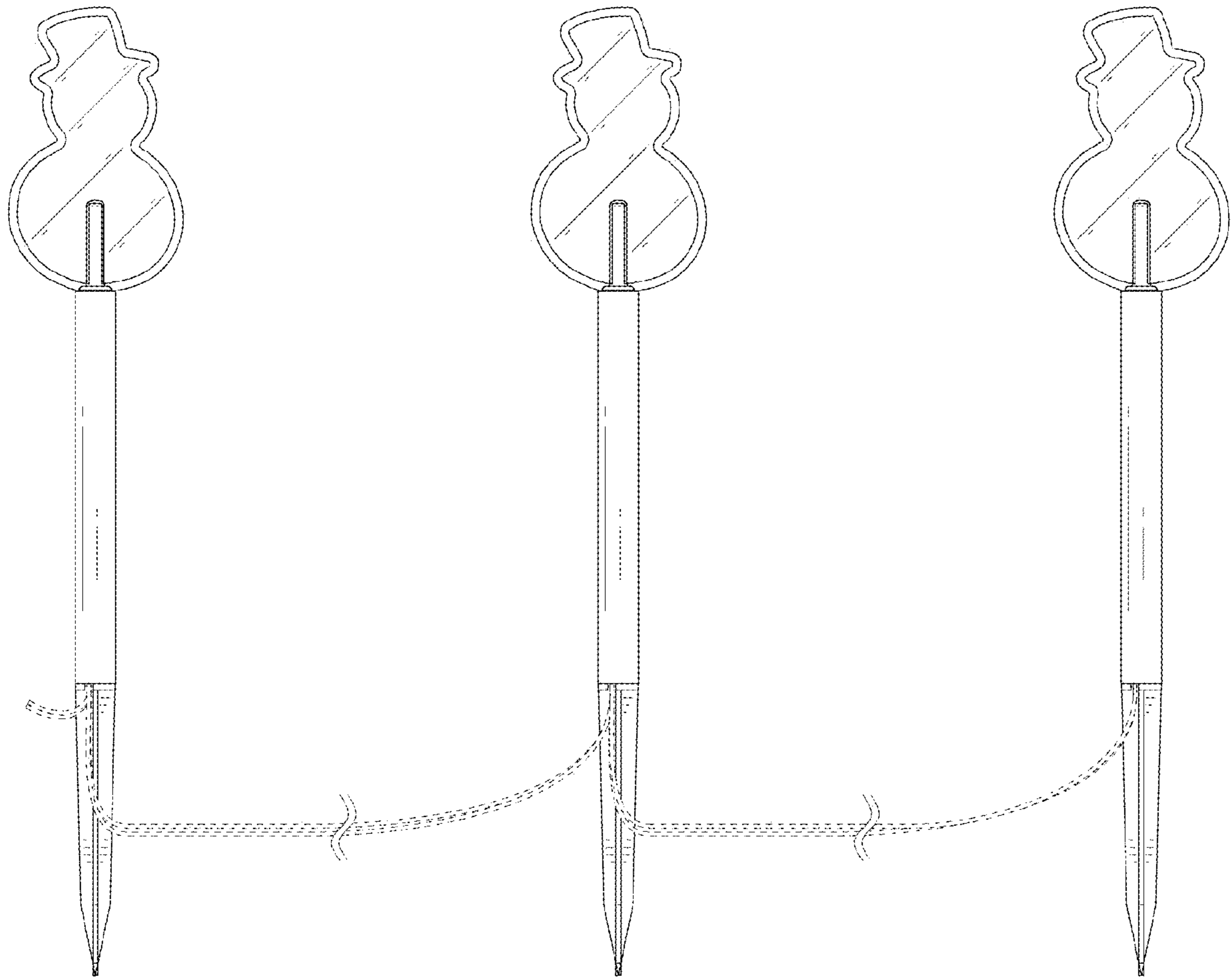


FIG. 3

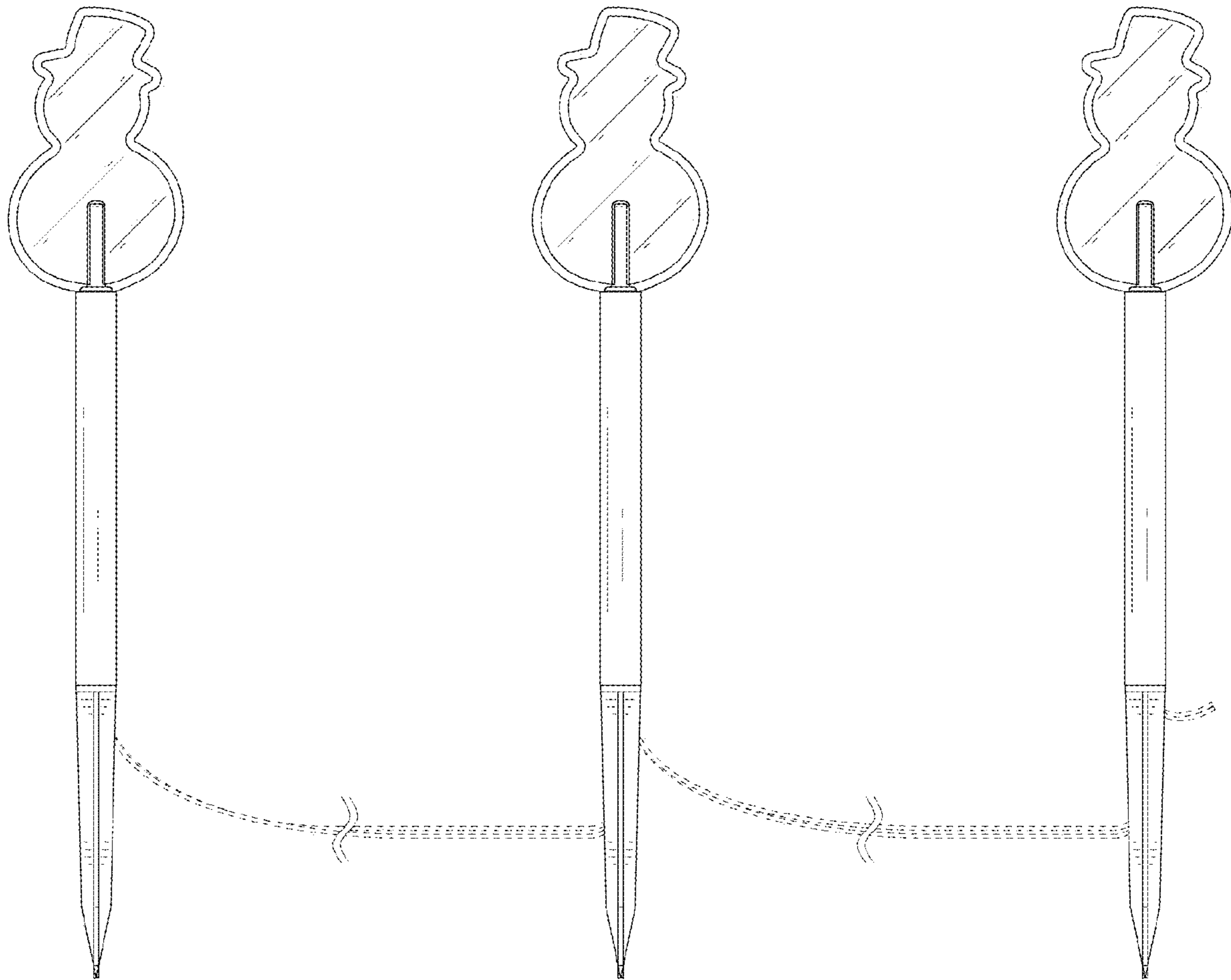


FIG. 4

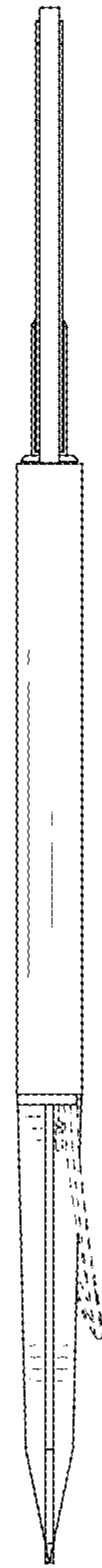


FIG. 5

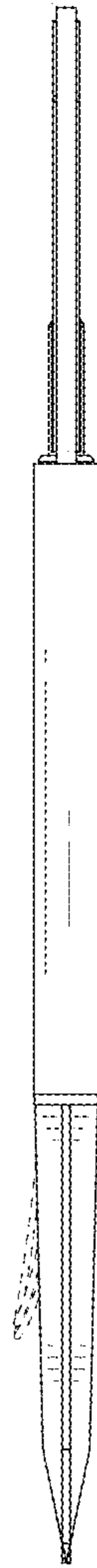


FIG. 6

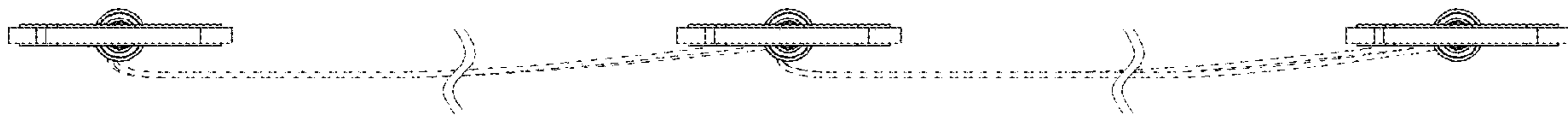


FIG. 7

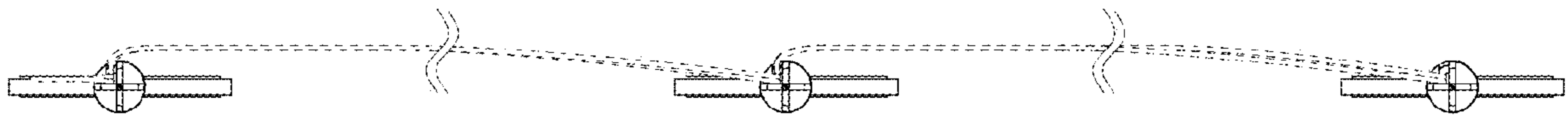


FIG. 8

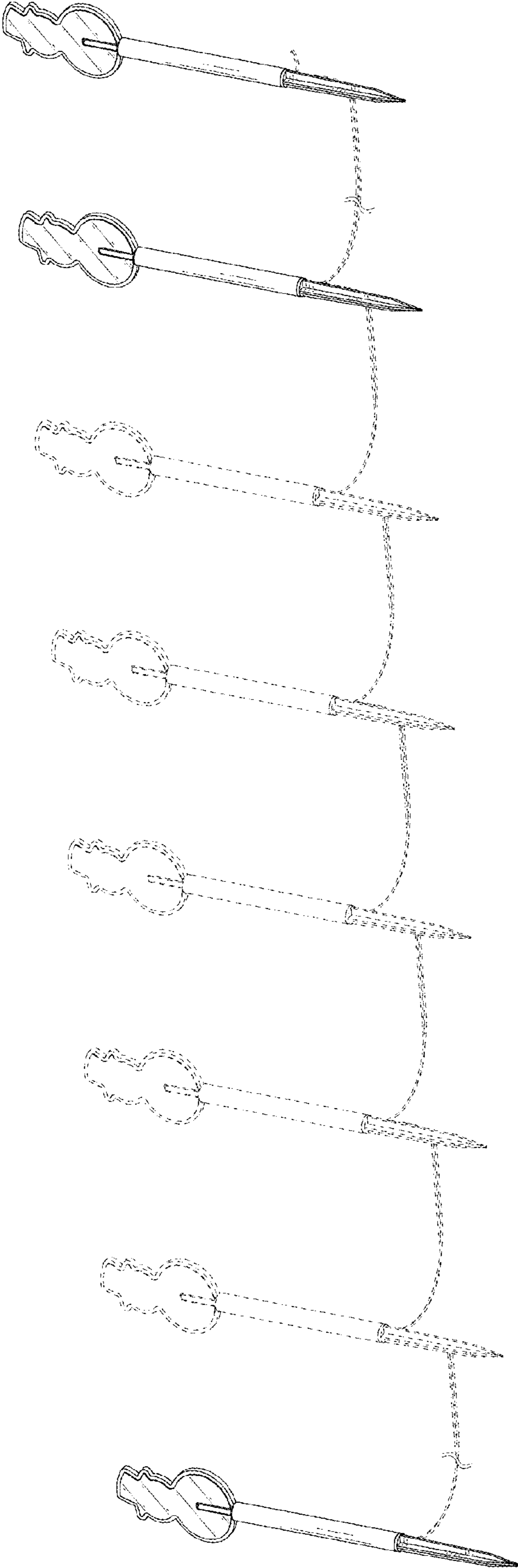


FIG. 9