



US00D916331S

(12) **United States Design Patent**  
**Wilkinson**

(10) **Patent No.:** **US D916,331 S**

(45) **Date of Patent:** **\*\* Apr. 13, 2021**

(54) **LIGHT BULB**

(71) Applicant: **SNT Trading Limited**, Halifax (GB)

(72) Inventor: **Samuel Wilkinson**, London (GB)

(\*\*) Term: **15 Years**

(21) Appl. No.: **35/508,450**

(22) Filed: **Sep. 23, 2019**

(80) **Hague Agreement Data**

Int. Filing Date: **Sep. 23, 2019**

Int. Reg. No.: **DM/205483**

Int. Reg. Date: **Sep. 23, 2019**

Int. Reg. Pub. Date: **Jan. 31, 2020**

(51) **LOC (13) Cl.** ..... **26-04**

(52) **U.S. Cl.**  
USPC ..... **D26/2**

(58) **Field of Classification Search**

USPC ..... D26/2, 3, 63, 72, 74, 76, 78-83, 85, 86,  
D26/88, 90, 93, 111, 113, 118, 119, 120,  
D26/121, 122, 138-142, 152

CPC ..... F21S 2/00; F21S 4/00; F21S 4/003; F21S  
4/005; F21S 4/006; F21S 4/007; F21S  
4/008; F21S 6/00; F21S 8/00; F21S  
8/024; F21S 8/026; F21S 8/031; F21S  
8/033; F21S 8/035-037; F21S 8/04; F21S  
8/043; F21S 8/063

See application file for complete search history.

(56) **References Cited**

**U.S. PATENT DOCUMENTS**

D126,122 S \* 3/1941 Chilo ..... D26/141  
4,319,162 A \* 3/1982 Hoeh ..... H01J 61/30  
313/487  
D375,291 S \* 11/1996 Cheung ..... D13/138.2

D413,995 S \* 9/1999 Lee ..... D26/140  
D421,664 S \* 3/2000 Sherman ..... D26/140  
D548,370 S \* 8/2007 Leung ..... D26/3  
D623,783 S \* 9/2010 Christianson ..... D26/39  
D633,226 S \* 2/2011 Katsaros ..... D26/2  
D673,710 S \* 1/2013 Eichelberger ..... D26/62  
D694,466 S \* 11/2013 Kjaergaard ..... D26/142  
D699,875 S \* 2/2014 Christianson ..... D26/39  
D742,060 S \* 10/2015 Kjaergaard Toft ..... D26/142  
D745,710 S \* 12/2015 Katsaros ..... D26/2  
D752,804 S \* 3/2016 Williamson ..... D26/141  
D833,039 S \* 11/2018 Wei ..... D26/2  
D841,850 S \* 2/2019 Williams ..... D26/39  
D893,082 S \* 8/2020 Amato ..... D26/87

\* cited by examiner

*Primary Examiner* — Natasha Vujcic

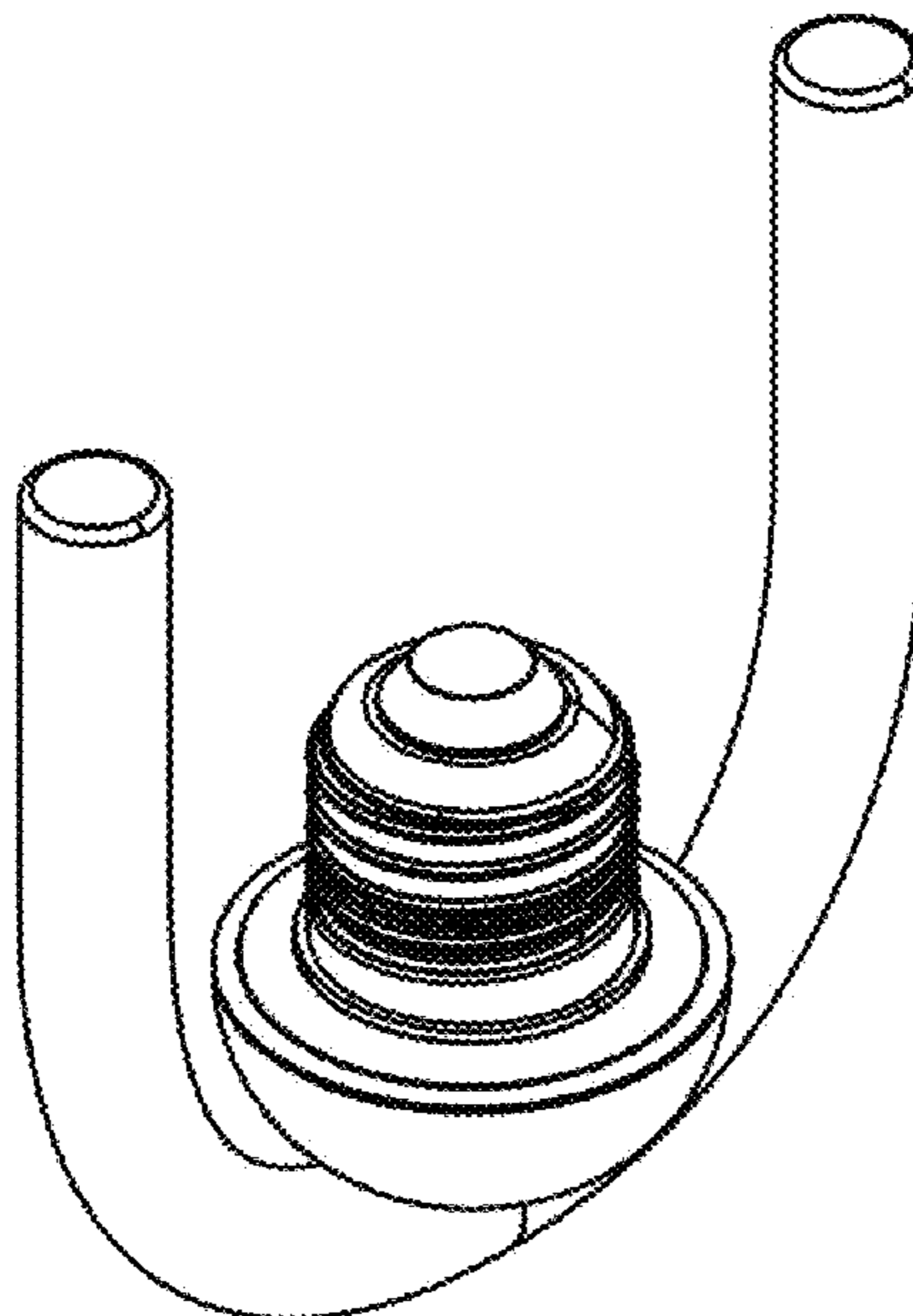
(57) **CLAIM**

The ornamental design for light bulb, as shown and described.

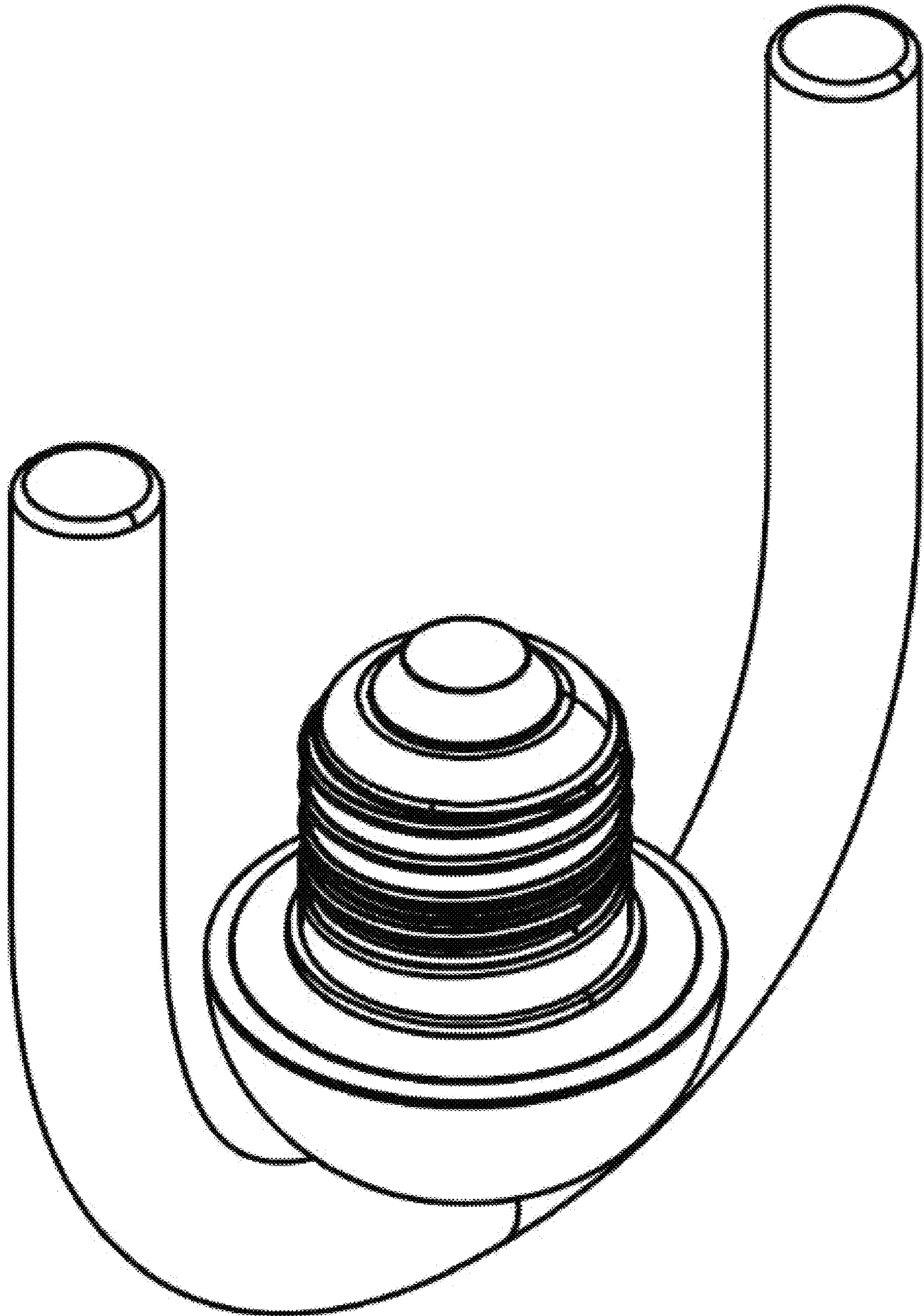
**DESCRIPTION**

- 1.-3. Light bulb
- 1.1 is a front perspective view.
- 1.2 is a top view.
- 1.3 is a front view.
- 1.4 is a side view.
- 1.5 is a bottom view.
- 2.1 is a front perspective view.
- 2.2 is a top view.
- 2.3 is a front view.
- 2.4 is a side view.
- 2.5 is a bottom view.
- 3.1 is a front perspective view.
- 3.2 is a top view.
- 3.3 is a front view.
- 3.4 is a side view.
- 3.5 is a bottom view.

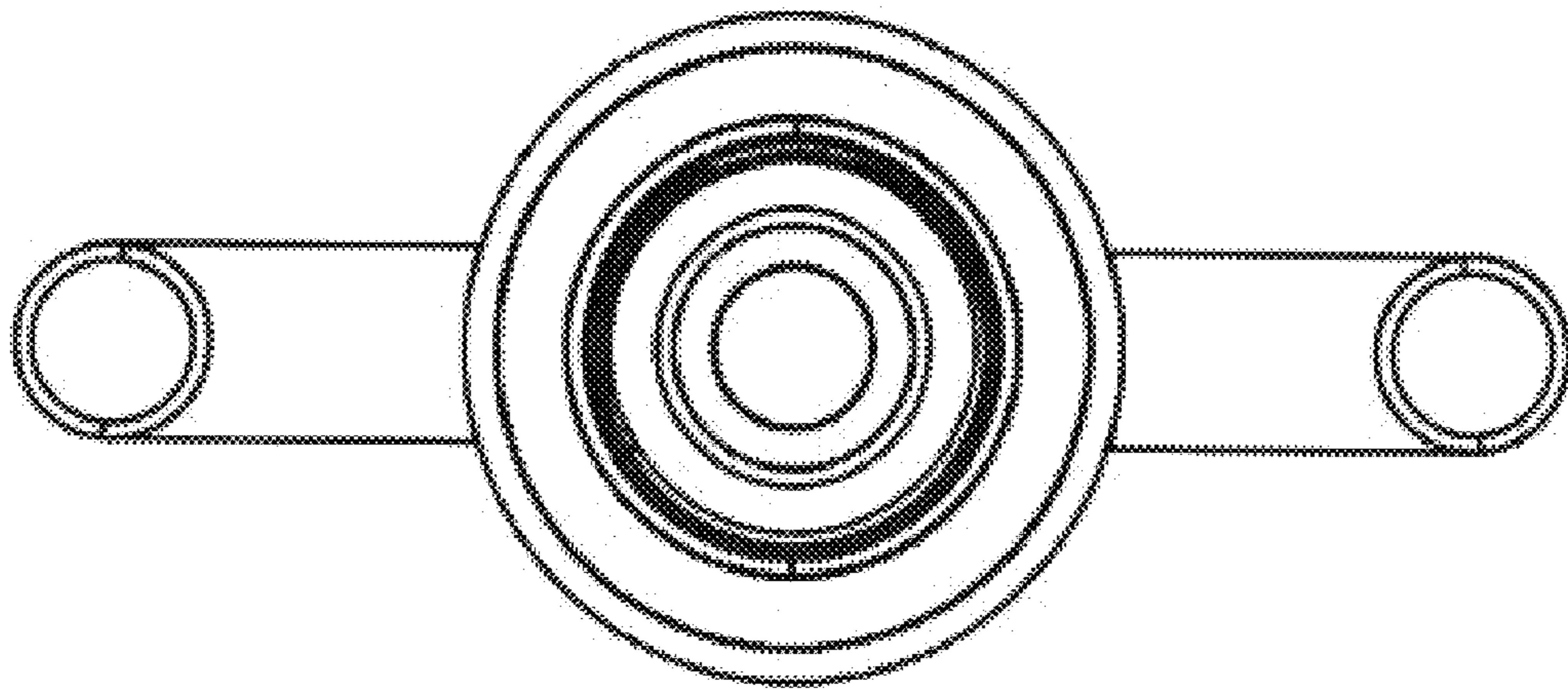
**1 Claim, 15 Drawing Sheets**



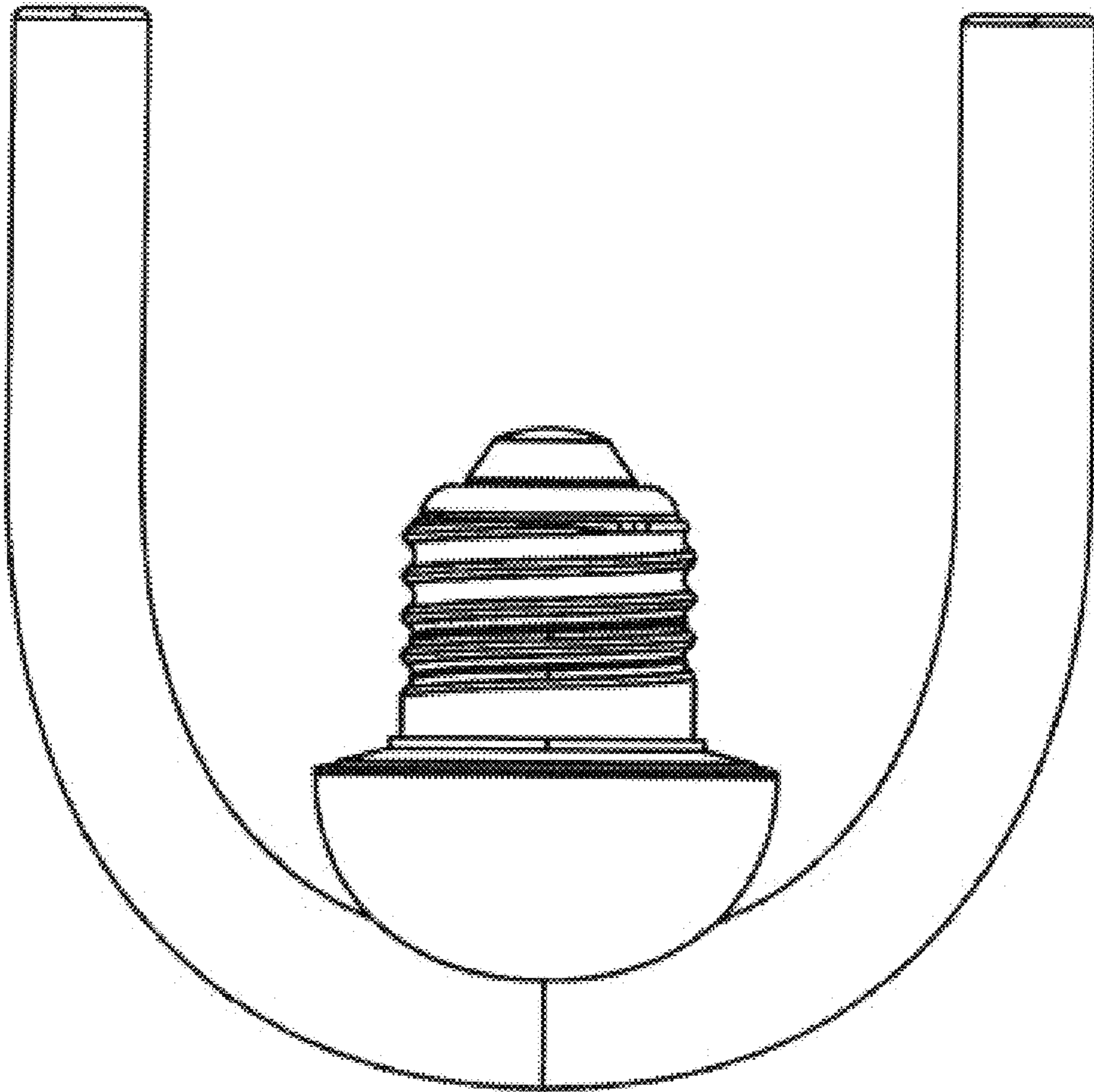
# 1.1



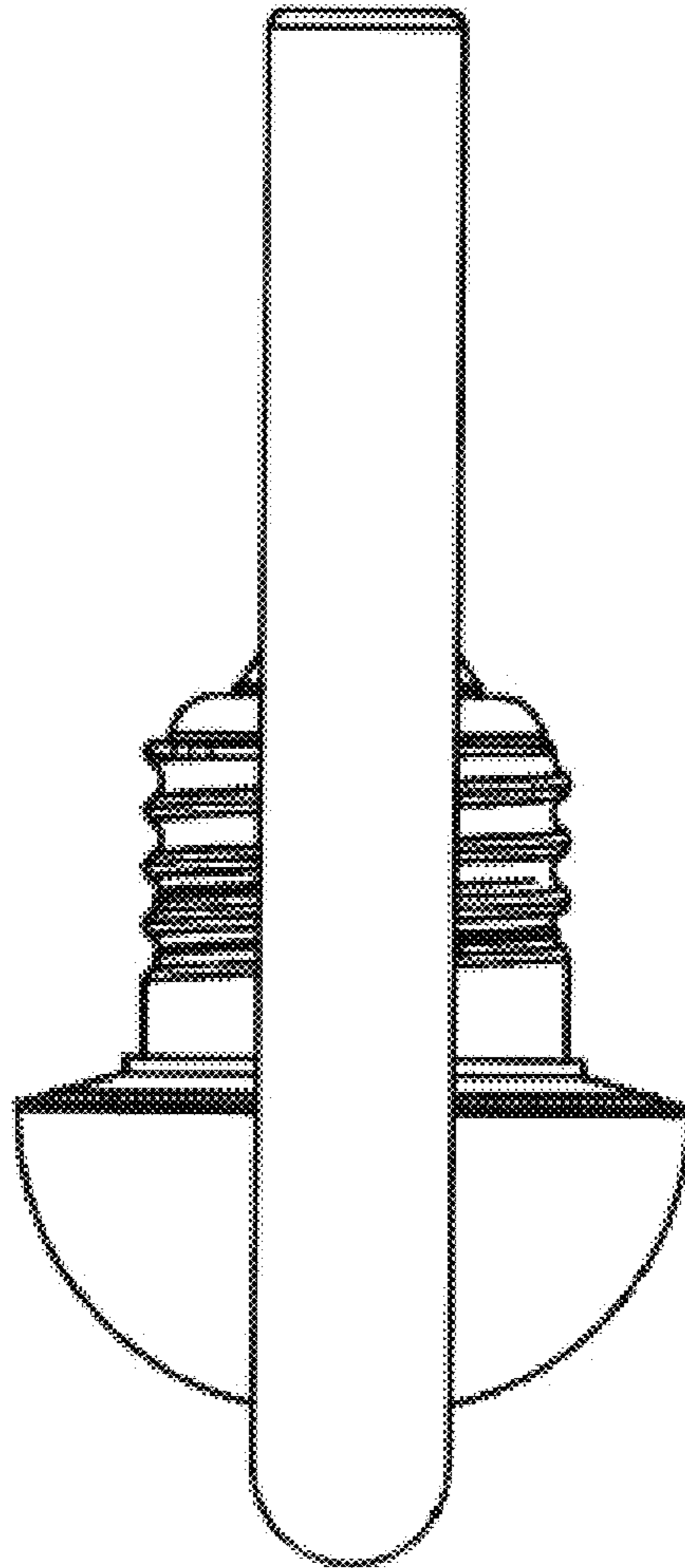
**1.2**



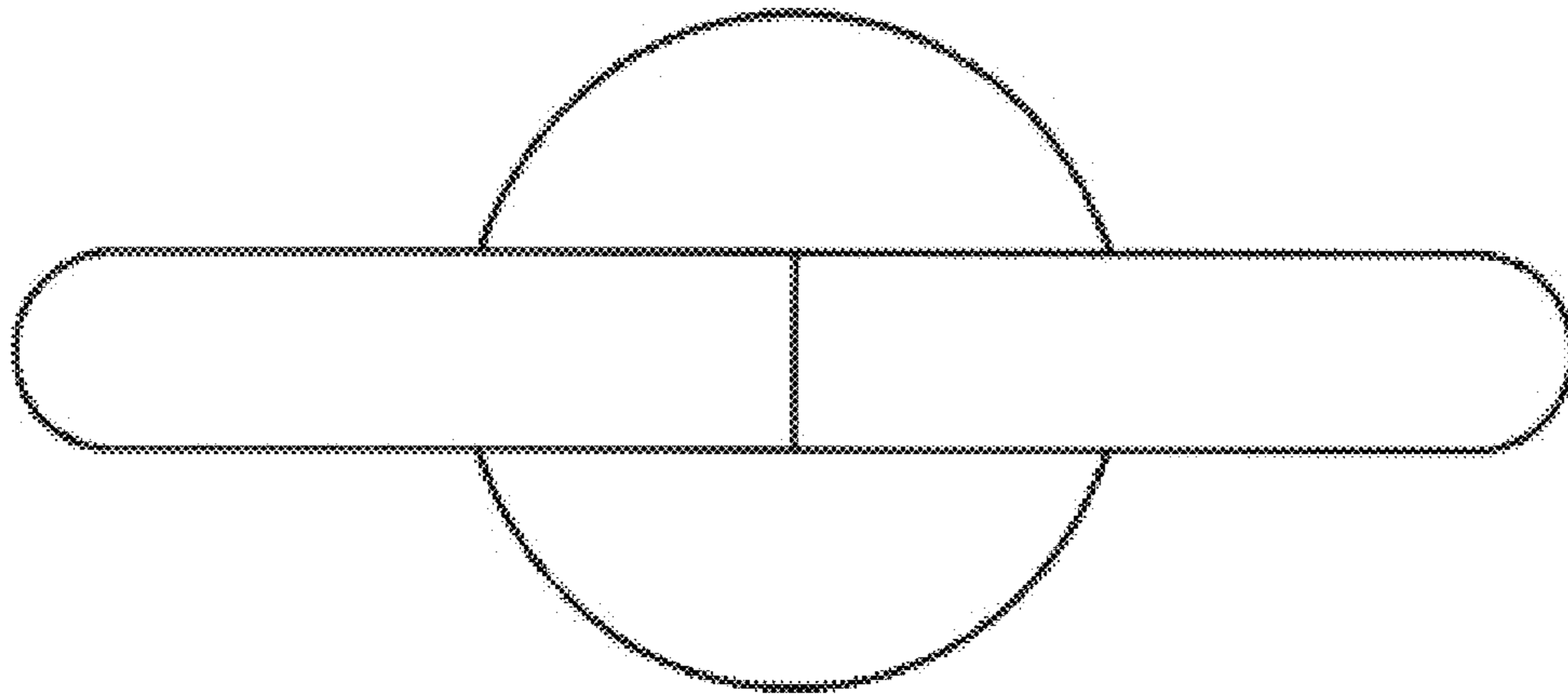
**1.3**



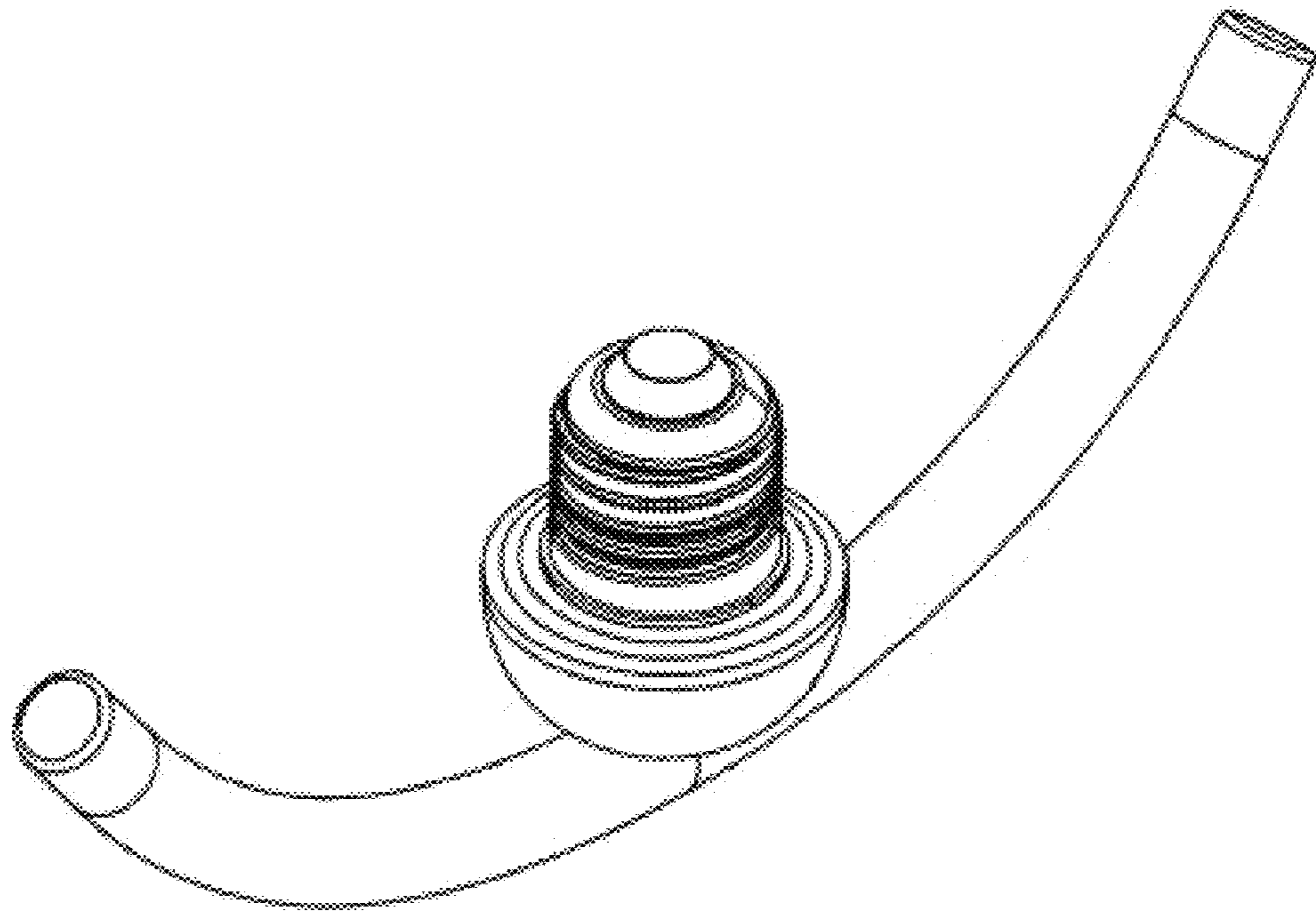
**1.4**



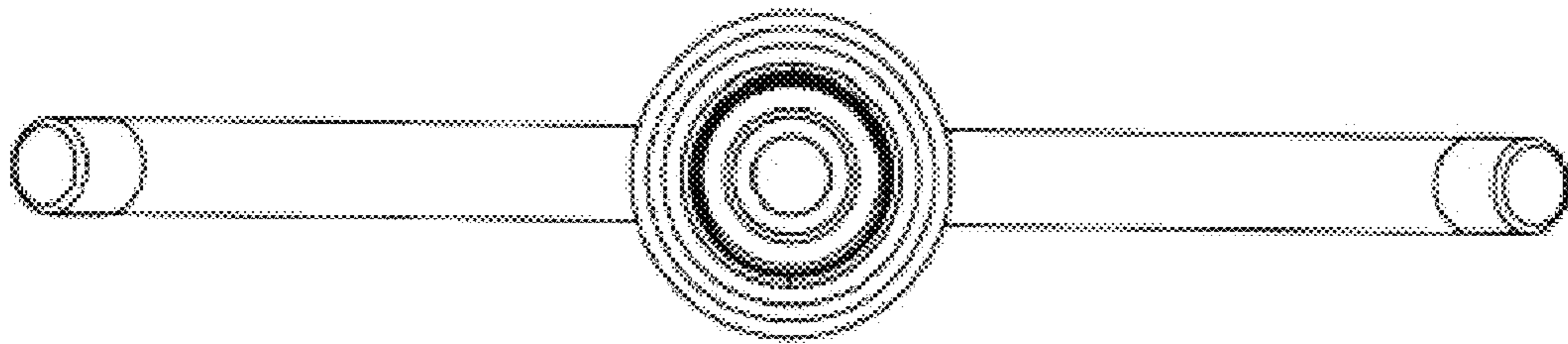
**1.5**



# 2.1

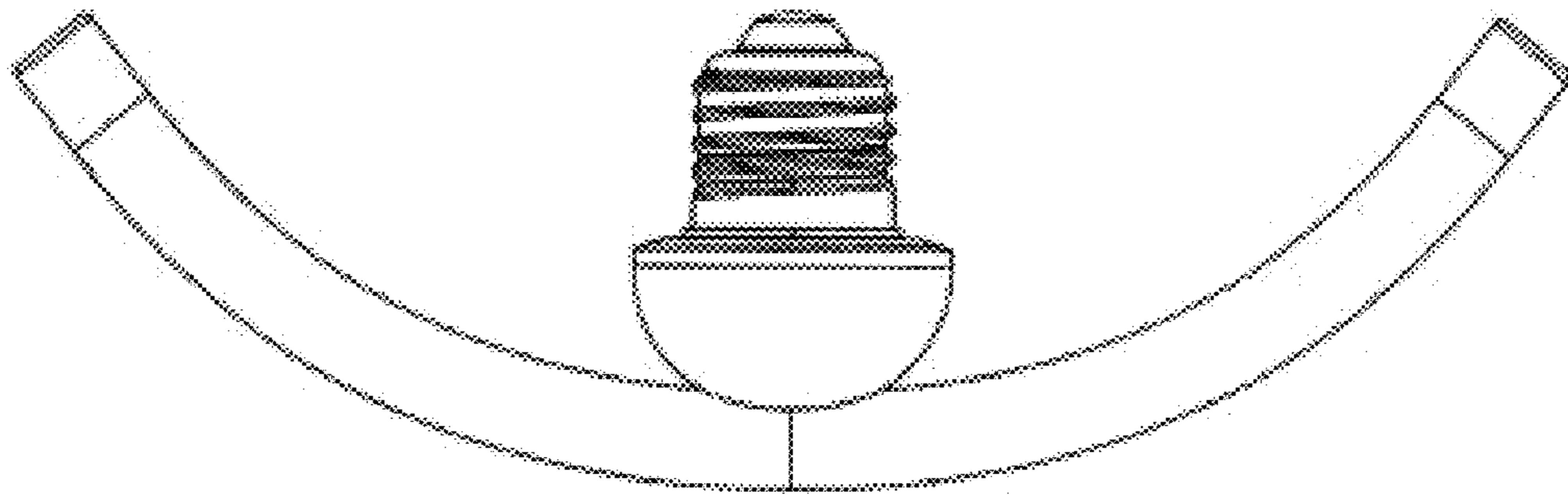


**2.2**

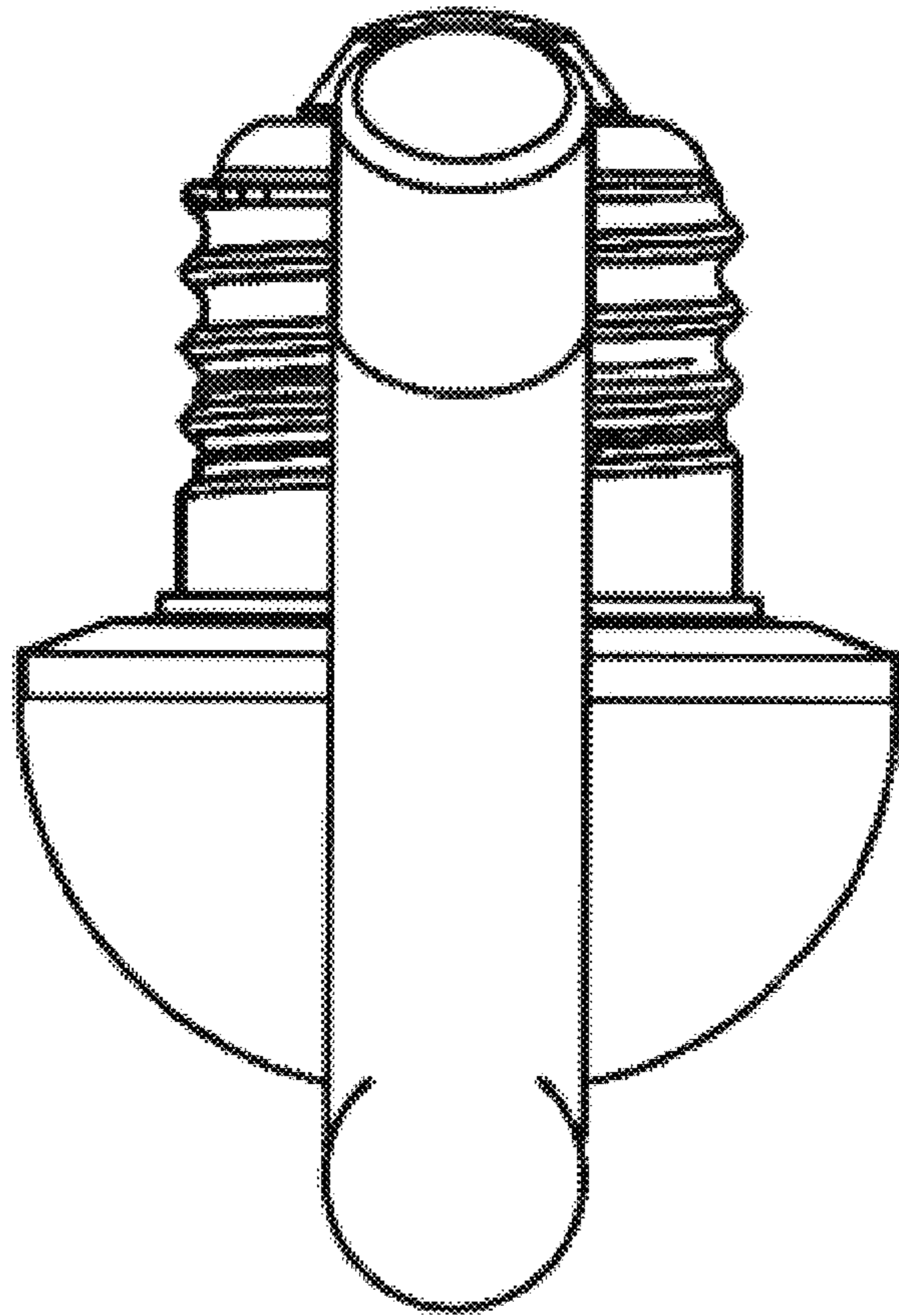




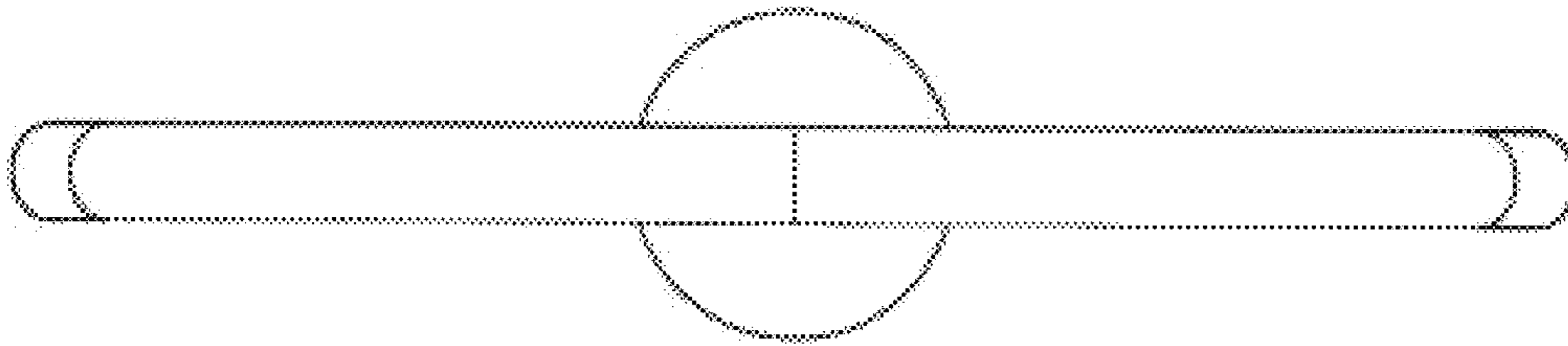
# 2.3



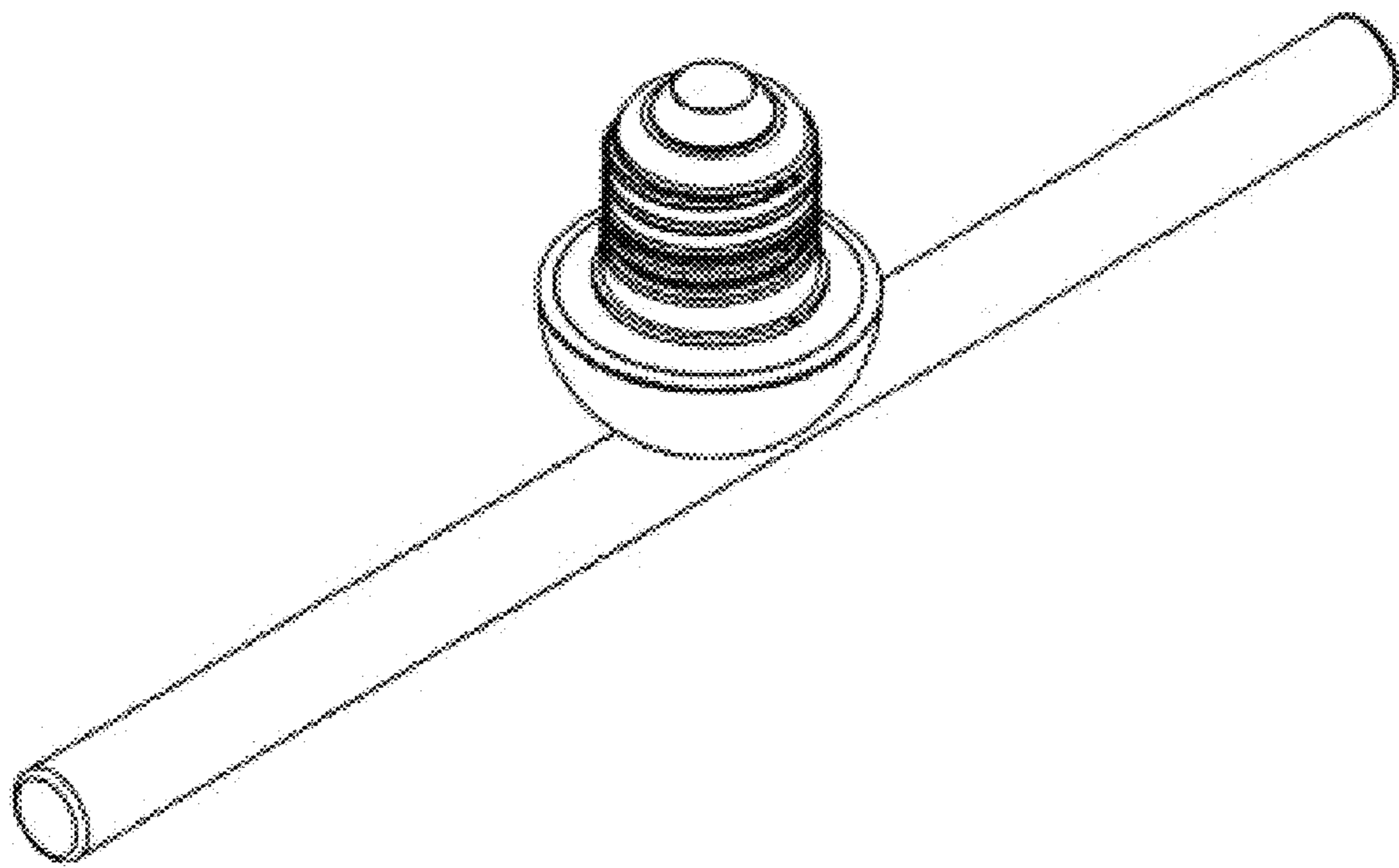
# 2.4



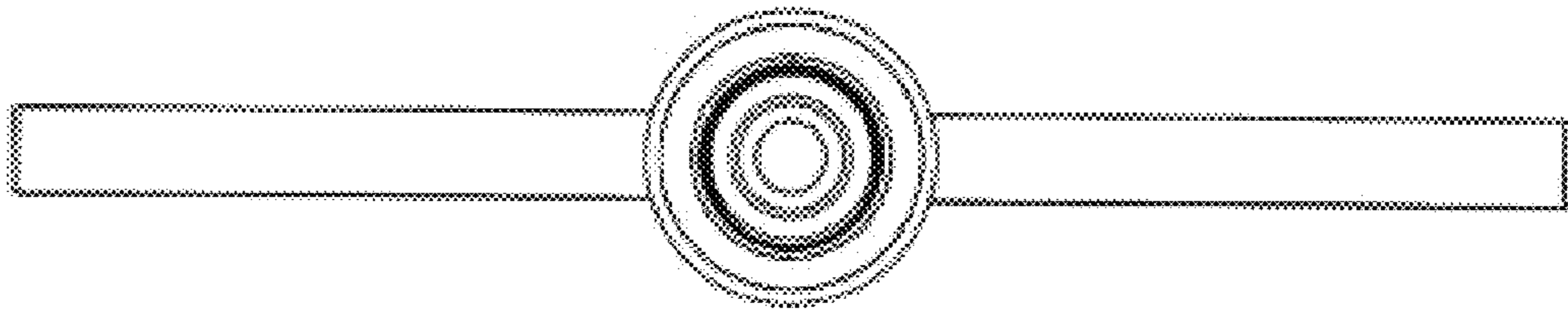
**2.5**



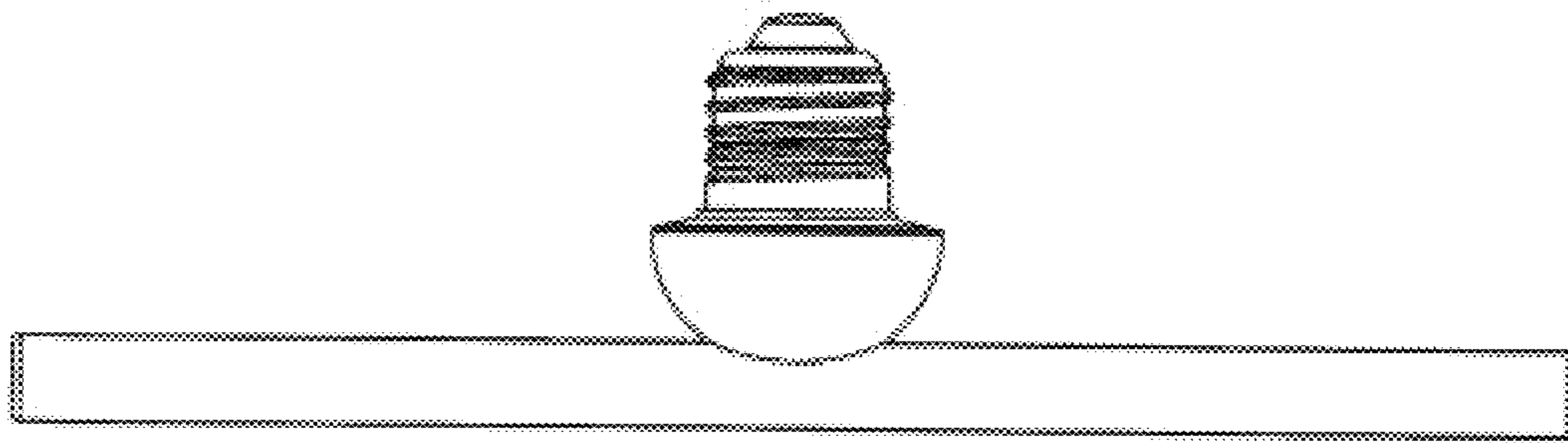
# 3.1



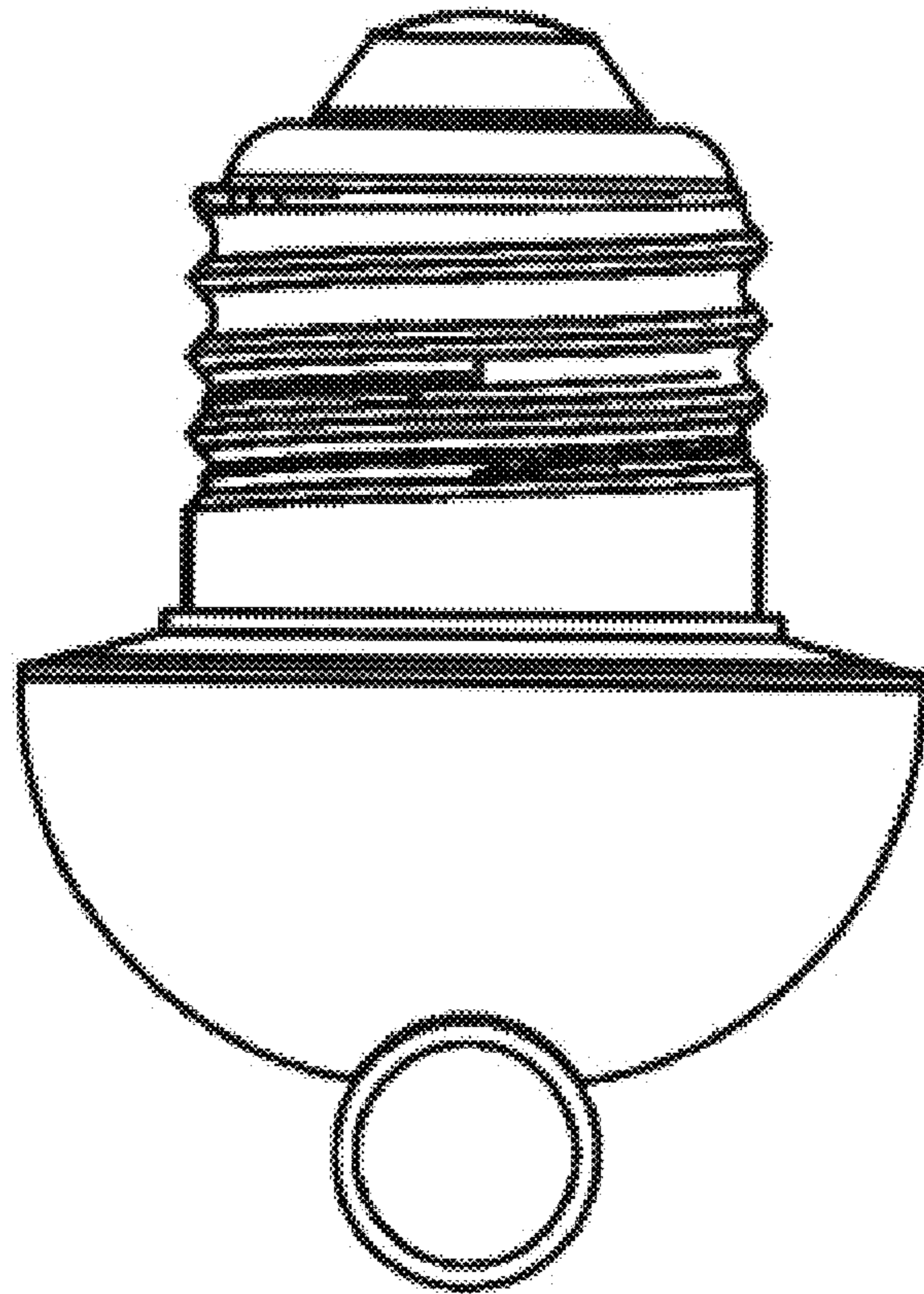
**3.2**



**3.3**



3.4



**3.5**

