



US00D916330S

(12) **United States Design Patent** (10) **Patent No.:** **US D916,330 S**
Grandadam (45) **Date of Patent:** **** Apr. 13, 2021**

(54) **PORTABLE LIGHT BULB SYSTEM**

FOREIGN PATENT DOCUMENTS

(71) Applicant: **Premier Products Inc.**, Peru, IL (US)

CN 201884957 6/2011
CN 202118534 1/2012

(72) Inventor: **Cody Duane Grandadam**, Peru, IL (US)

(Continued)

(73) Assignee: **Premier Products Inc.**, Peru, IL (US)

International Search Report and Written Opinion dated Feb. 14, 2018 in corresponding PCT Application No. PCT/US17/61594 (9 pages).

(**) Term: **15 Years**

(Continued)

(21) Appl. No.: **29/725,285**

(22) Filed: **Feb. 24, 2020**

Primary Examiner — Marcus A Jackson
(74) *Attorney, Agent, or Firm* — Barnes & Thornburg LLP

Related U.S. Application Data

(63) Continuation of application No. 29/691,827, filed on May 20, 2019, now Pat. No. Des. 876,675, which is a continuation of application No. 29/663,960, filed on Sep. 20, 2018, now Pat. No. Des. 849,280, which is

(Continued)

(51) **LOC (13) Cl.** **26-04**

(52) **U.S. Cl.**
USPC **D26/2**

(58) **Field of Classification Search**
USPC D26/1-10
CPC H01R 5/00; H01R 13/46; H01R 13/514; H01R 31/048; H01R 31/02; H01J 5/00; H01J 5/16; H01J 1/02; H01J 15/00; H01J 5/48; H01J 5/50; H01J 19/54; F21V 5/00; F21K 9/00; F21K 13/00

See application file for complete search history.

(56) **References Cited**

U.S. PATENT DOCUMENTS

4,095,316 A 6/1978 Gabriel
5,087,209 A 2/1992 Faucher
5,382,181 A 1/1995 Ortiz

(Continued)

OTHER PUBLICATIONS

(57) **CLAIM**

I claim the ornamental design for a portable light bulb system, as shown and described.

DESCRIPTION

FIG. 1 is a top perspective view of a portable light bulb system according to a new design.

FIG. 2 is a rear view of the portable light bulb system shown in FIG. 1.

FIG. 3 is a left side view of the portable light bulb system shown in FIG. 1.

FIG. 4 is a front view of the portable light bulb system shown in FIG. 1.

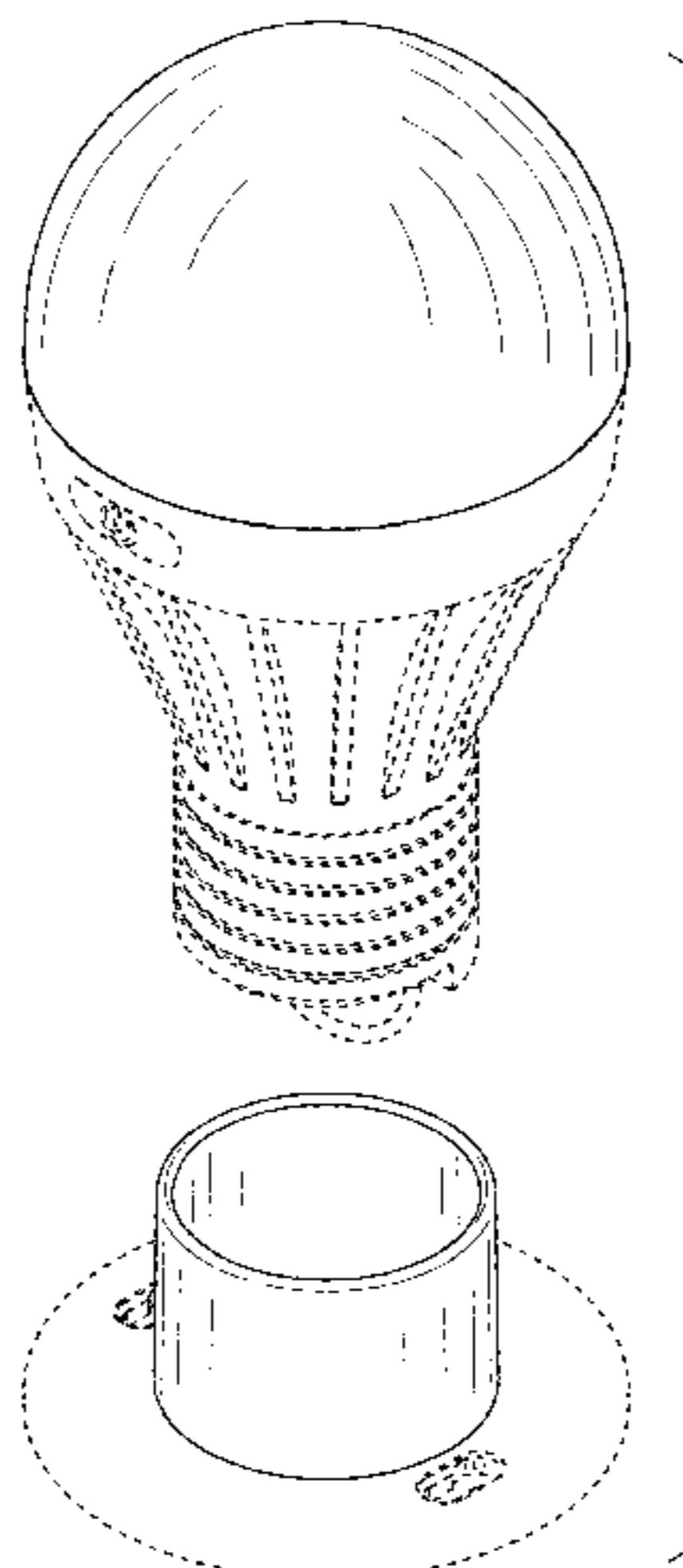
FIG. 5 is a right side view of the portable light bulb system shown in FIG. 1.

FIG. 6 is a top view of the portable light bulb system shown in FIG. 1; and,

FIG. 7 is a bottom view of the portable light bulb system shown in FIG. 1.

Those portions of the present invention which are presented in broken or dotted lines show the environment of the design only and form no part of the claimed design. Moreover, any shading presented in the accompanying drawings is pro-

(Continued)



vided merely to highlight the contours of the invention and is not intended to be illustrative of texture or gloss.

1 Claim, 6 Drawing Sheets

Related U.S. Application Data

a continuation of application No. 29/584,343, filed on Nov. 14, 2016, now Pat. No. Des. 830,585.

2010/0147913	A1	6/2010	Corets
2012/0057334	A1	3/2012	Robinson
2012/0182726	A1	7/2012	King
2013/0308306	A1	11/2013	Hootman et al.
2014/0070703	A1	3/2014	Chen et al.
2014/0265836	A1	9/2014	Nourbakhsh et al.
2014/0268841	A1	9/2014	Stockman
2015/0356894	A1	12/2015	Petrocy et al.
2016/0073479	A1	3/2016	Erchak et al.
2016/0223175	A1	8/2016	Yang
2016/0270148	A1	9/2016	Filipovic et al.
2017/0241596	A1	8/2017	Chien
2018/0084622	A1	3/2018	Chen

(56)

References Cited

U.S. PATENT DOCUMENTS

5,383,381	A	1/1995	Graham	
5,596,247	A	1/1997	Martich et al.	
D531,741	S *	11/2006	Takahashi	D26/2
D548,369	S *	8/2007	Bembridge	D26/2
D549,360	S	8/2007	An	
D553,267	S	10/2007	Yuen	
D583,989	S	12/2008	Khubani	
D602,614	S	10/2009	Takahashi et al.	
D629,535	S	12/2010	Lee	
8,084,963	B2	12/2011	Chandler et al.	
8,328,582	B1	12/2012	Carley et al.	
D691,292	S	10/2013	Qiu	
8,669,716	B2	3/2014	Recker et al.	
9,055,642	B2	6/2015	Maa et al.	
9,081,269	B2	7/2015	Conti	
9,541,262	B2	1/2017	Kohn et al.	
9,657,928	B1	5/2017	Jacobson	
9,909,720	B1	3/2018	Turudic	
9,918,371	B2	3/2018	Jacobson	
9,920,888	B1	3/2018	Springer	
2004/0120142	A1	6/2004	Galli	
2007/0211481	A1	9/2007	Cooper et al.	
2007/0291475	A1	12/2007	Heathcock	
2007/0291477	A1	12/2007	Khubani	
2008/0165529	A1	7/2008	Man	
2008/0273348	A1	11/2008	Klohn et al.	
2010/0110670	A1	5/2010	Werth et al.	
2010/0134047	A1	6/2010	Hasnain	

FOREIGN PATENT DOCUMENTS

CN	202118845	1/2012
CN	203090292	7/2013
CN	103672480	3/2014
CN	204345498	5/2015
CN	204437844	7/2015
CN	103000036	1/2016
WO	2007128126	2/2008
WO	2011094444	8/2011

OTHER PUBLICATIONS

Mobile LED Light Bulb, commercially available by Mar. 27, 2016 from www.mileskimball.combuy-mobile-led-light-bulb-353158referrer=apiv1sli (3 pages).
 "Light Bulb" Vintage, pictures taken on Jun. 9, 2016 by PAT Europe BV (3 pages).
 Hotook LED Emergency Light, available at goo.gl/A5U9d2, at least as early as Mar. 30, 2016.
 LED Light Bulb Lantern, available at <https://www.yellowoctopus.com.au/led-light-bulb-lantern-kikkerland>, at least as early as Mar. 31, 2016.
 Nightstick Dual Light with Magnet, available at goo.gl/yMBMcW, at least as early as Mar. 31, 2016.
 Ullman LED Magnetic Work Light, available at goo.gl/xscMC1, at least as early as Mar. 31, 2016.
 Battery Powered LED Dome Light, available at goo.gl/MFA6BE, at least as early as Mar. 30, 2016.

* cited by examiner

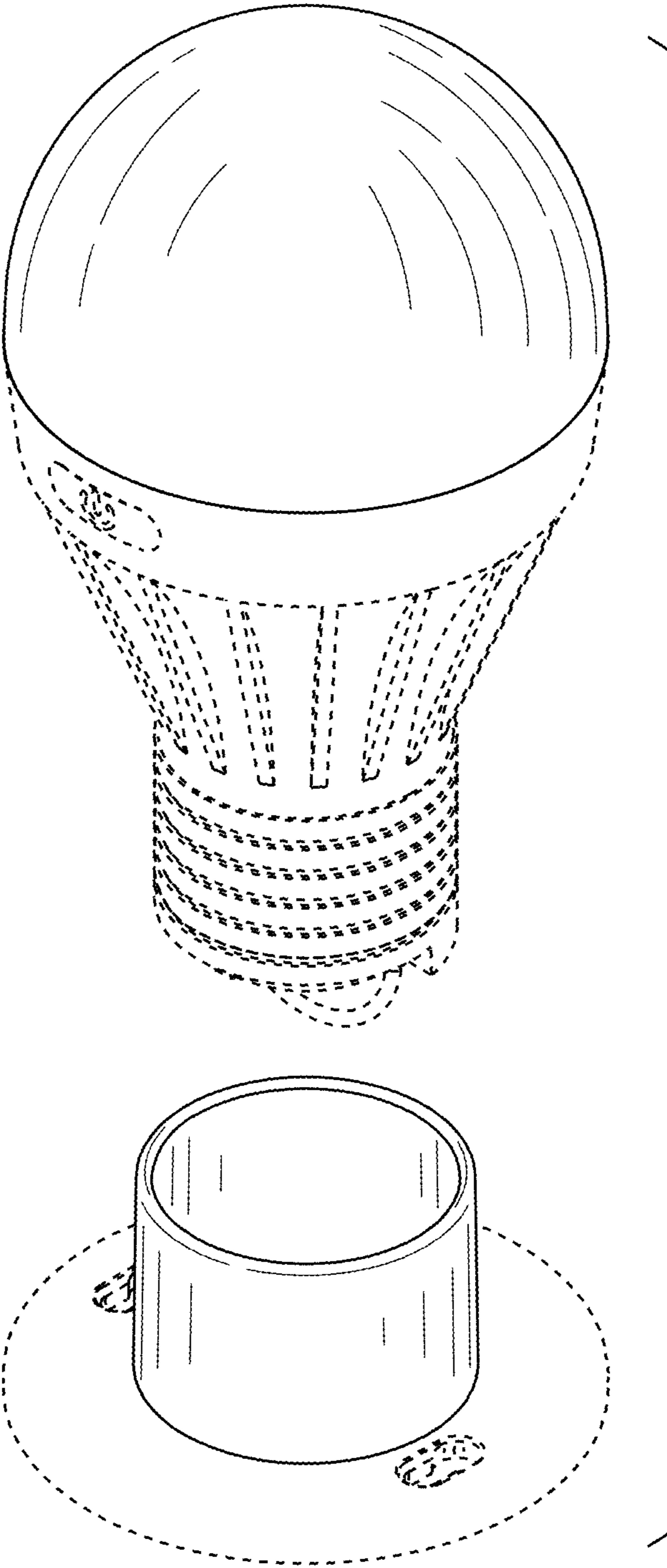


FIG. 1

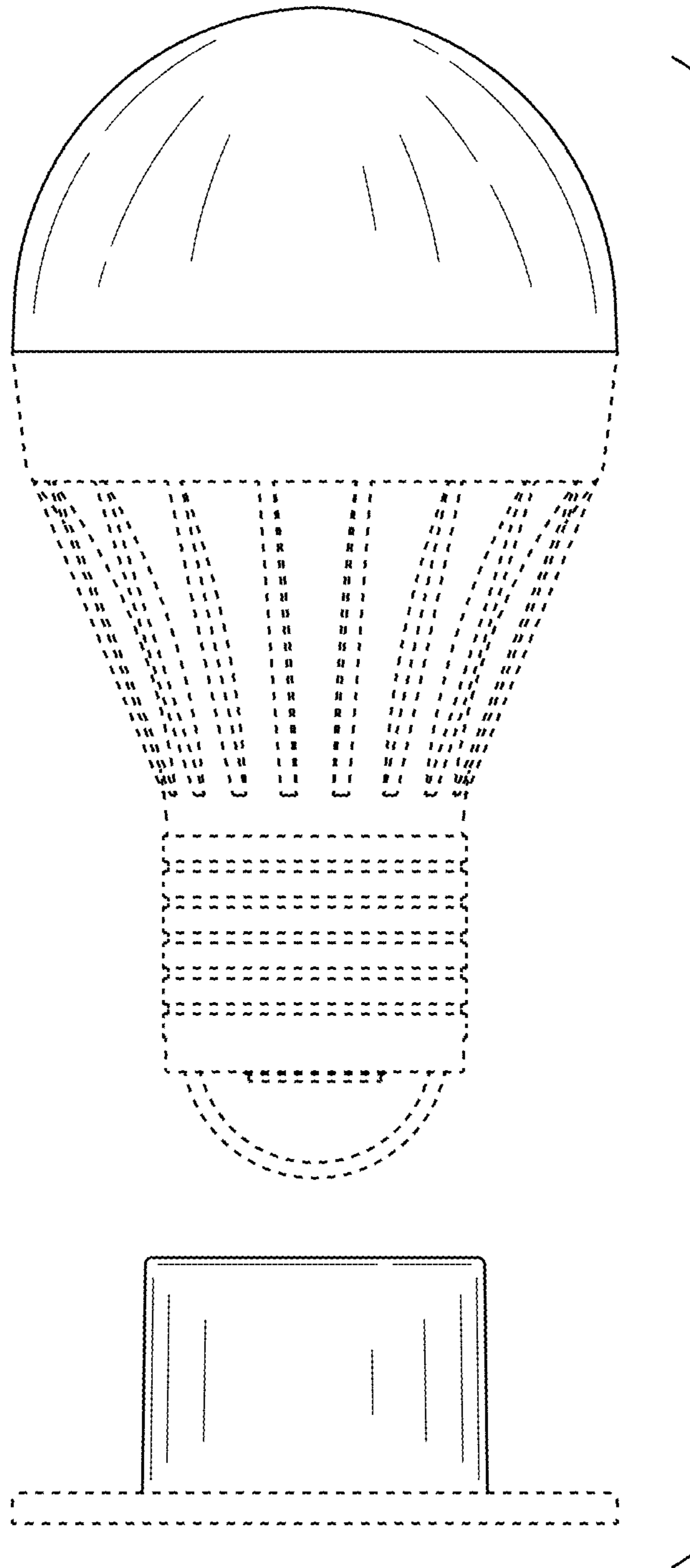


FIG. 2

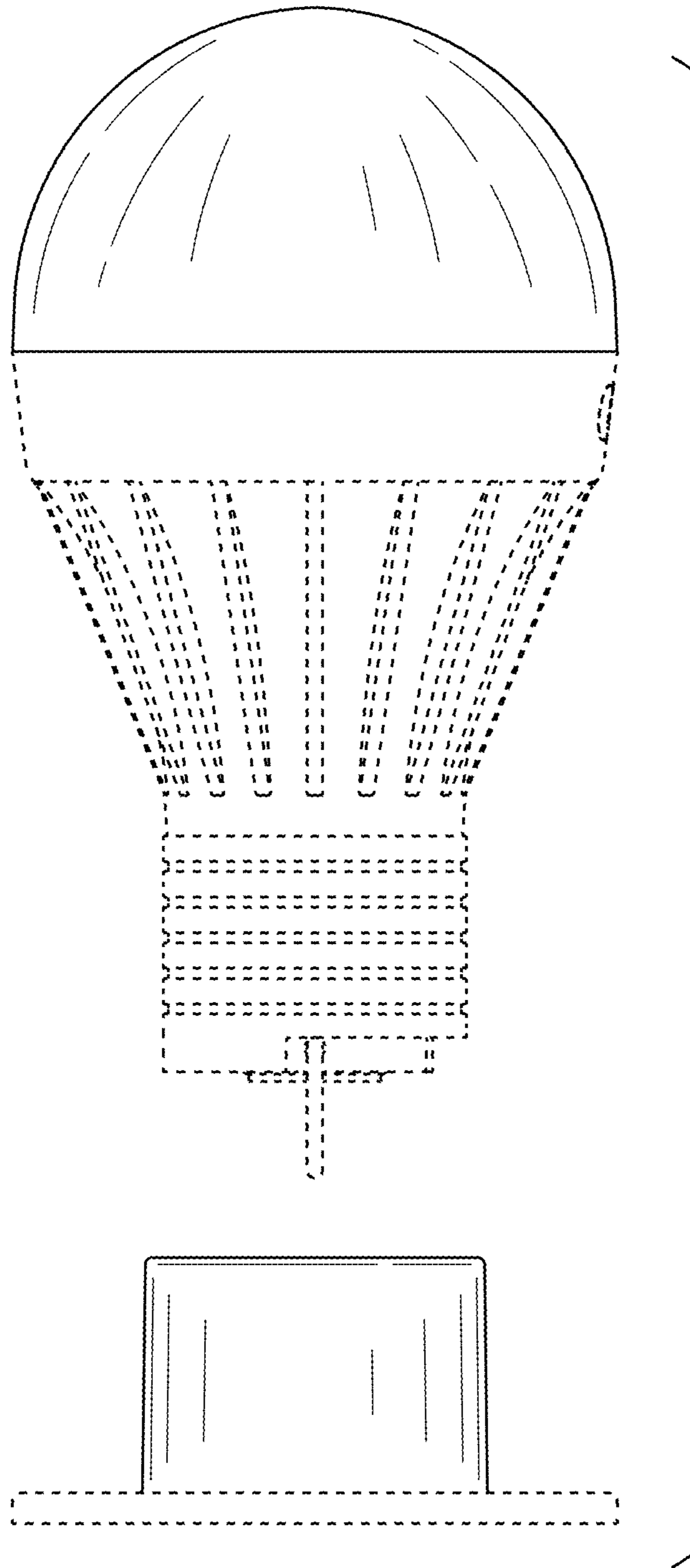


FIG. 3

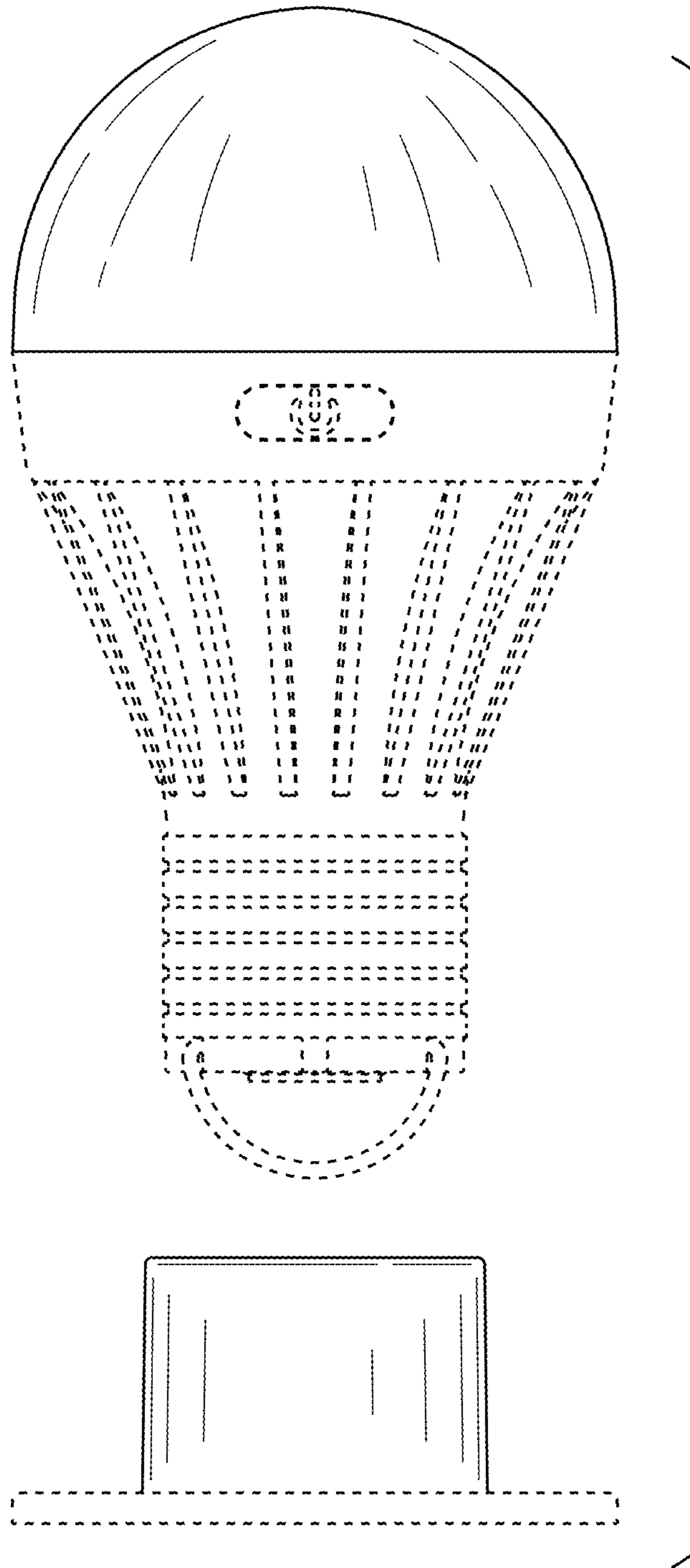


FIG. 4

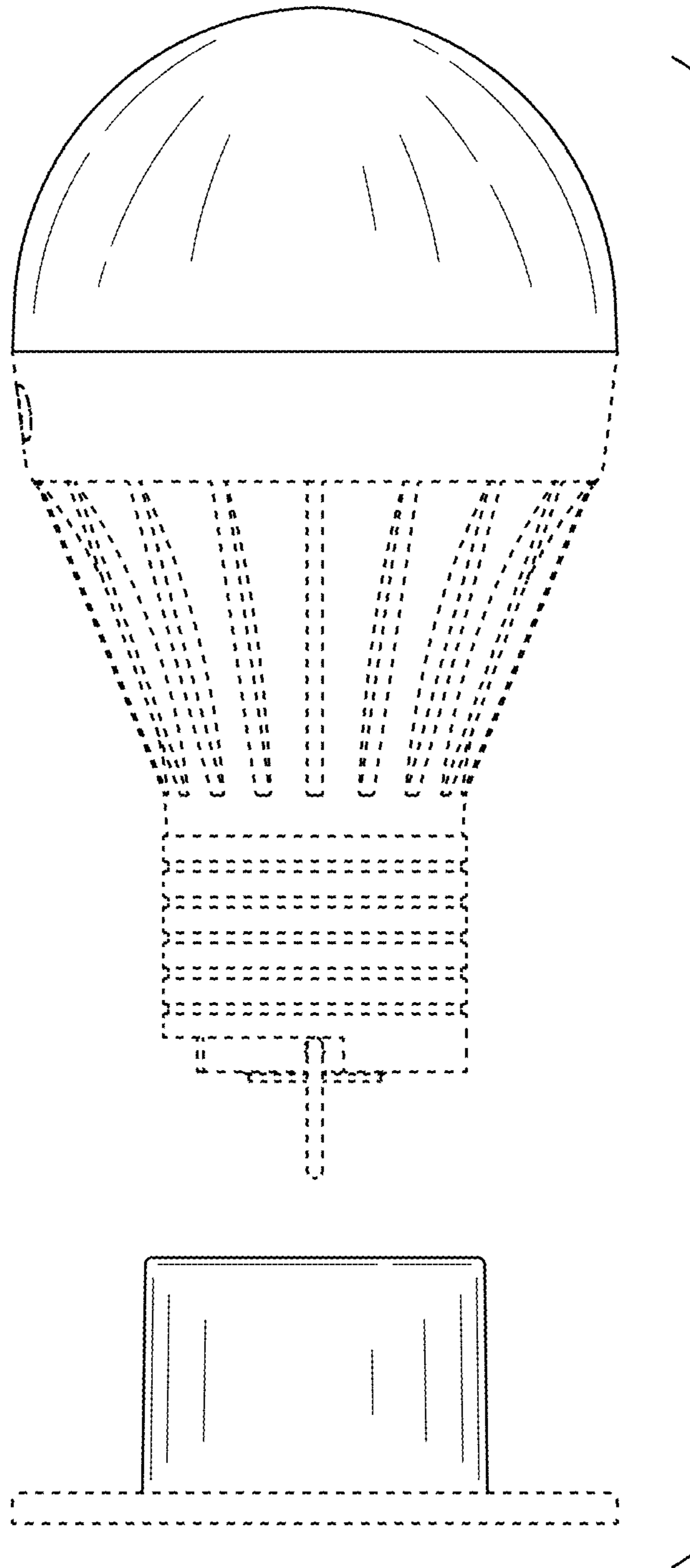


FIG. 5

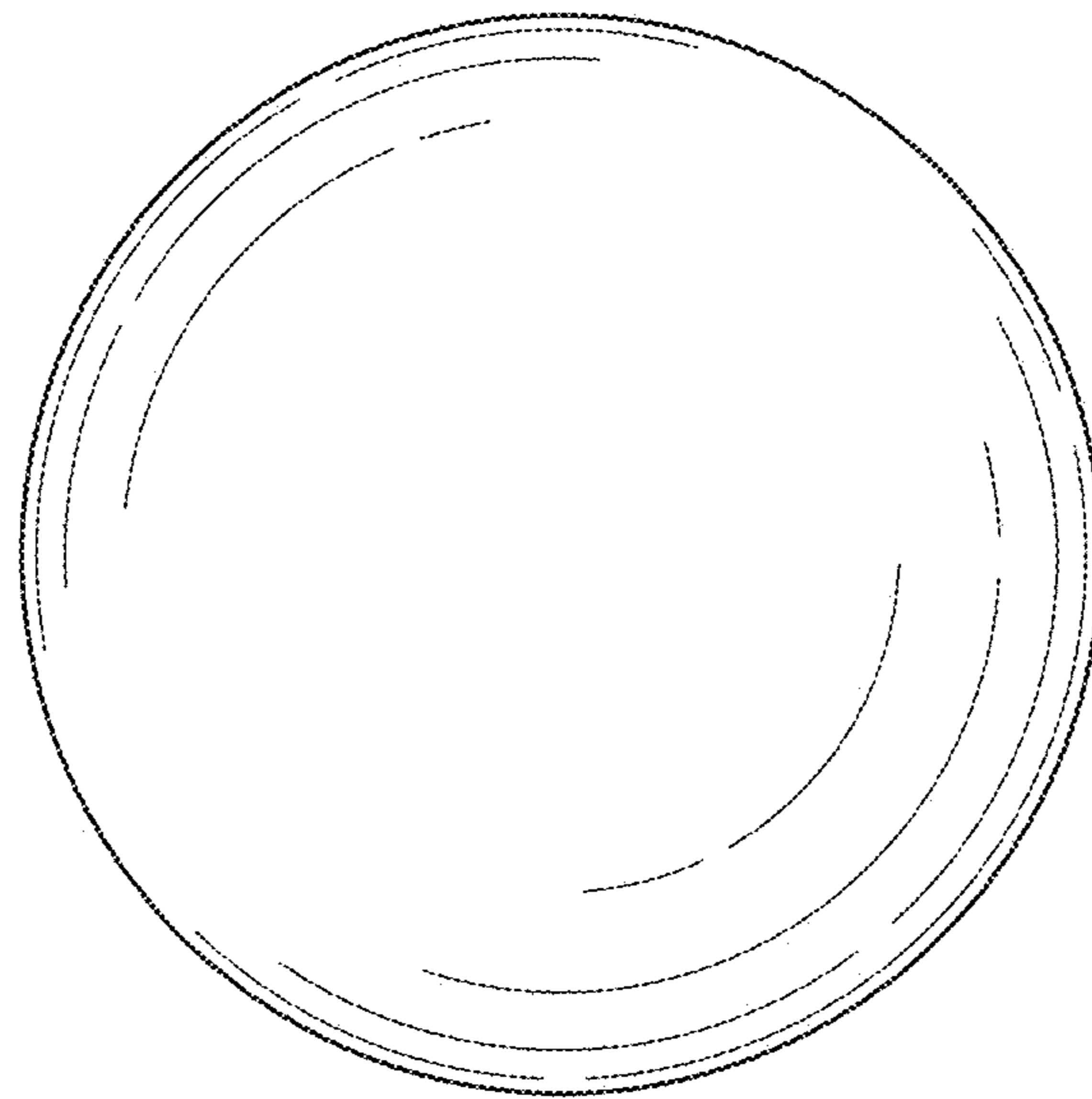


FIG. 6

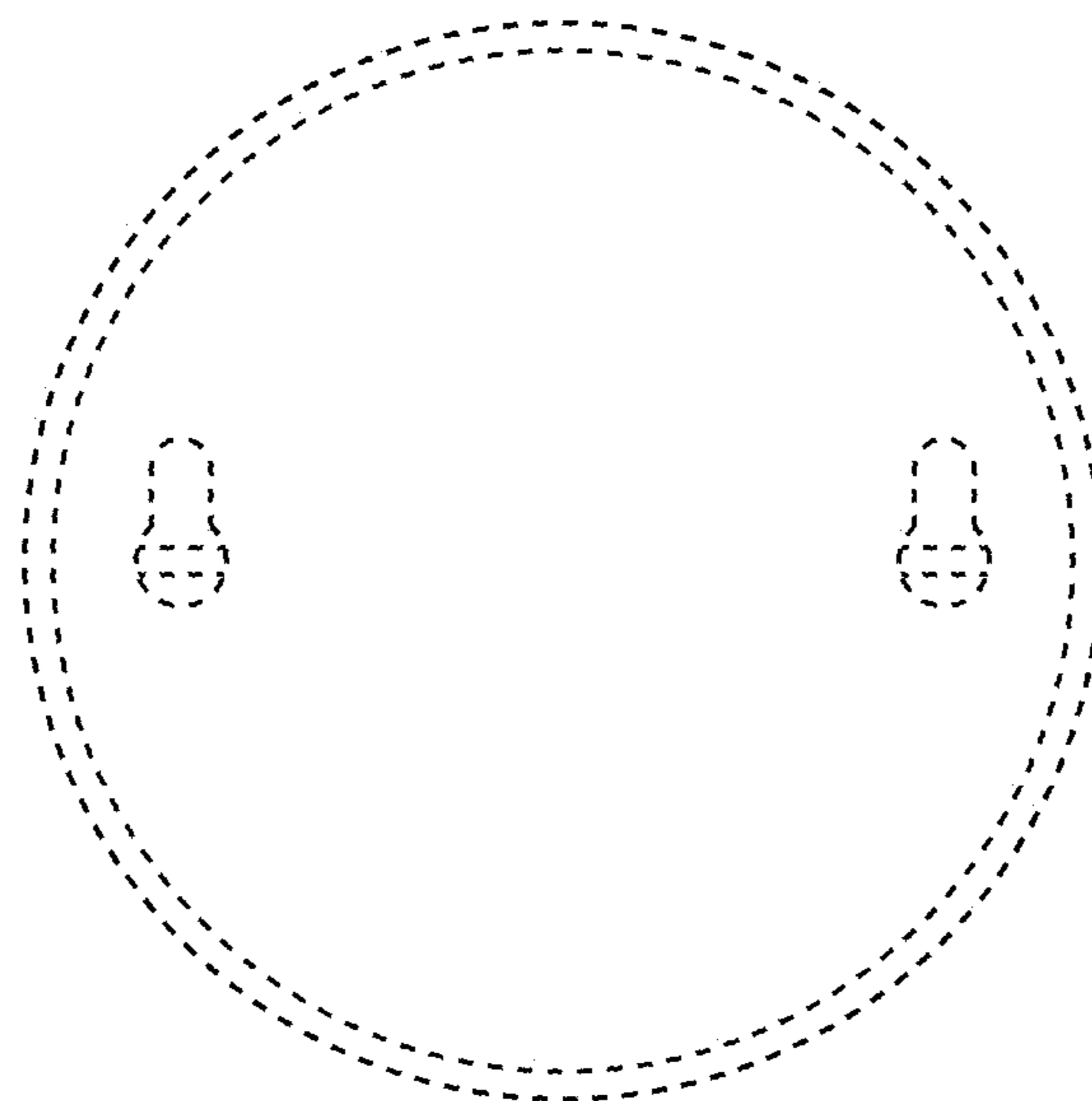


FIG. 7