



US00D916328S

(12) **United States Design Patent** (10) **Patent No.:** **US D916,328 S**
Gonzales (45) **Date of Patent:** **** Apr. 13, 2021**

(54) **FENCELINE SUPPORT BASE**

FOREIGN PATENT DOCUMENTS

(71) Applicant: **Ronald Alvin Gonzales**, Irving, TX
(US)

GB 4031281 * 11/2013

(72) Inventor: **Ronald Alvin Gonzales**, Irving, TX
(US)

OTHER PUBLICATIONS

(**) Term: **15 Years**

Corridor Sign Brackets Aluminum Wall Brackets <https://www.officesigncompany.com/metal-corridor-brackets.aspx> Jun. 28, 2017 (Year: 2017).*

(21) Appl. No.: **29/683,030**

* cited by examiner

(22) Filed: **Mar. 11, 2019**

Primary Examiner — Leanne Was-Englehart

(51) **LOC (13) Cl.** **25-02**

(74) *Attorney, Agent, or Firm* — Jeffrey Roddy

(52) **U.S. Cl.**

(57) **CLAIM**

USPC **D25/126**

The ornamental design for a fenceline support base, as shown and described.

(58) **Field of Classification Search**

DESCRIPTION

USPC D8/330, 339, 354, 355, 356, 373,
D8/394–396; D25/38.1, 41.1, 42, 43, 44,
D25/119–125, 126, 136, 164
CPC E04F 11/18; E04F 11/181; E04F 13/0805;
B66B 23/24; B65G 15/00; E04B 2/7435;
E04B 2/7442; E04B 2002/7488

See application file for complete search history.

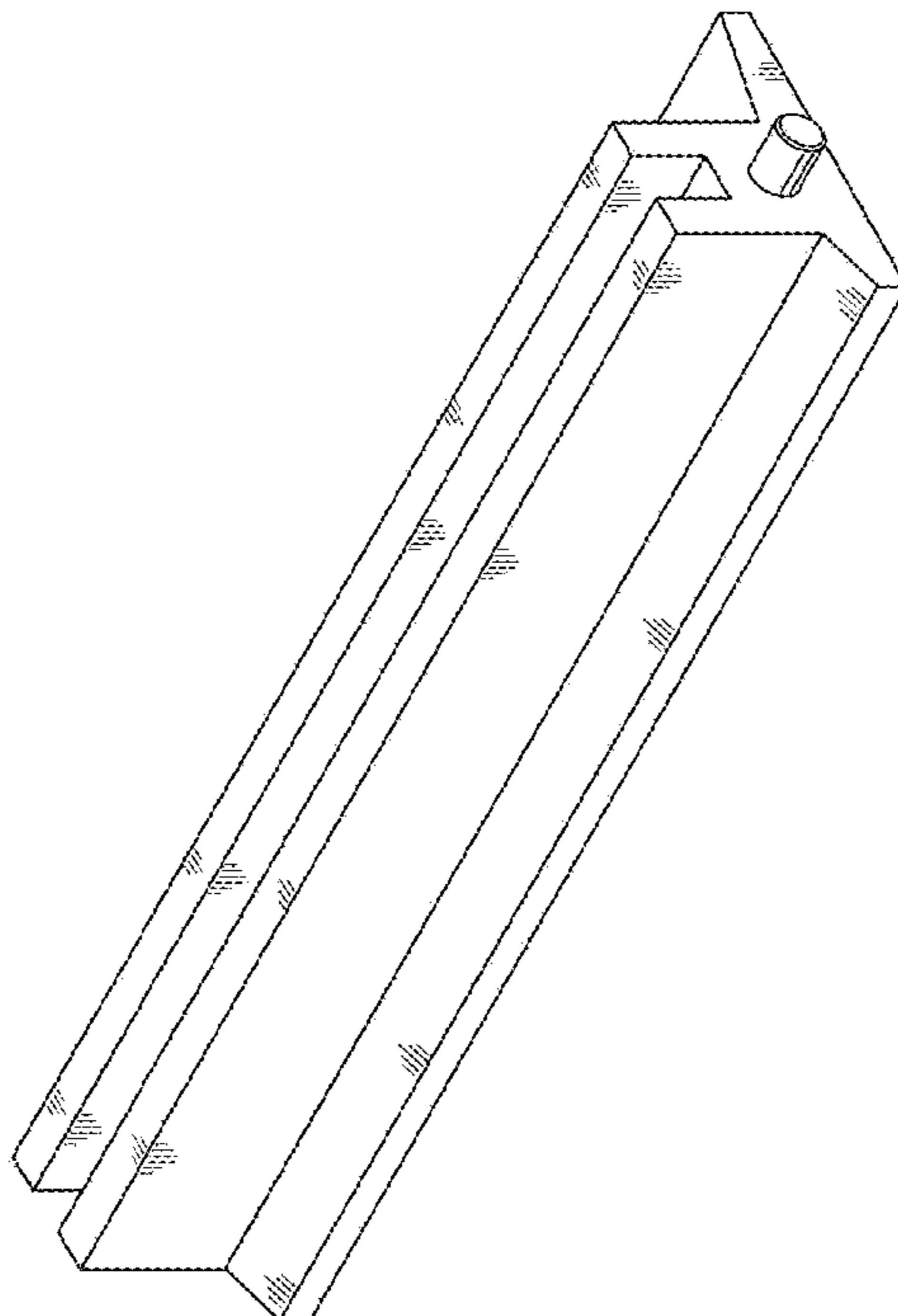
FIG. 1 is a front side perspective view of a fenceline support base;
FIG. 2 is a front side elevation thereof;
FIG. 3 is a rear side elevation of the end opposite that shown in (FIG. 2);
FIG. 4 is a right side elevation thereof, wherein the left side opposite is a mirror thereof;
FIG. 5 is a top plan view thereof;
FIG. 6 is a bottom plan view thereof;
FIG. 7 is a perspective view thereof showing environment;
FIG. 8 is a perspective view thereof showing environment;
and,
FIG. 9 is another perspective view showing environment.
The dash-dash broken lines depict environment that forms no part of the claimed design.

(56) **References Cited**

U.S. PATENT DOCUMENTS

D318,707 S * 7/1991 Barrow D22/107
D606,379 S * 12/2009 Hughes D8/394
D606,391 S * 12/2009 Hughes D8/394
D703,520 S * 4/2014 Schopf D8/394
9,765,528 B2 * 9/2017 Bilge E04F 13/07
D828,581 S * 9/2018 Reynolds D25/61
D836,214 S * 12/2018 van Vlastuin D25/38.1
D854,192 S * 7/2019 Rokvic D25/124
D886,326 S * 6/2020 Ashcraft D25/38.1

1 Claim, 7 Drawing Sheets



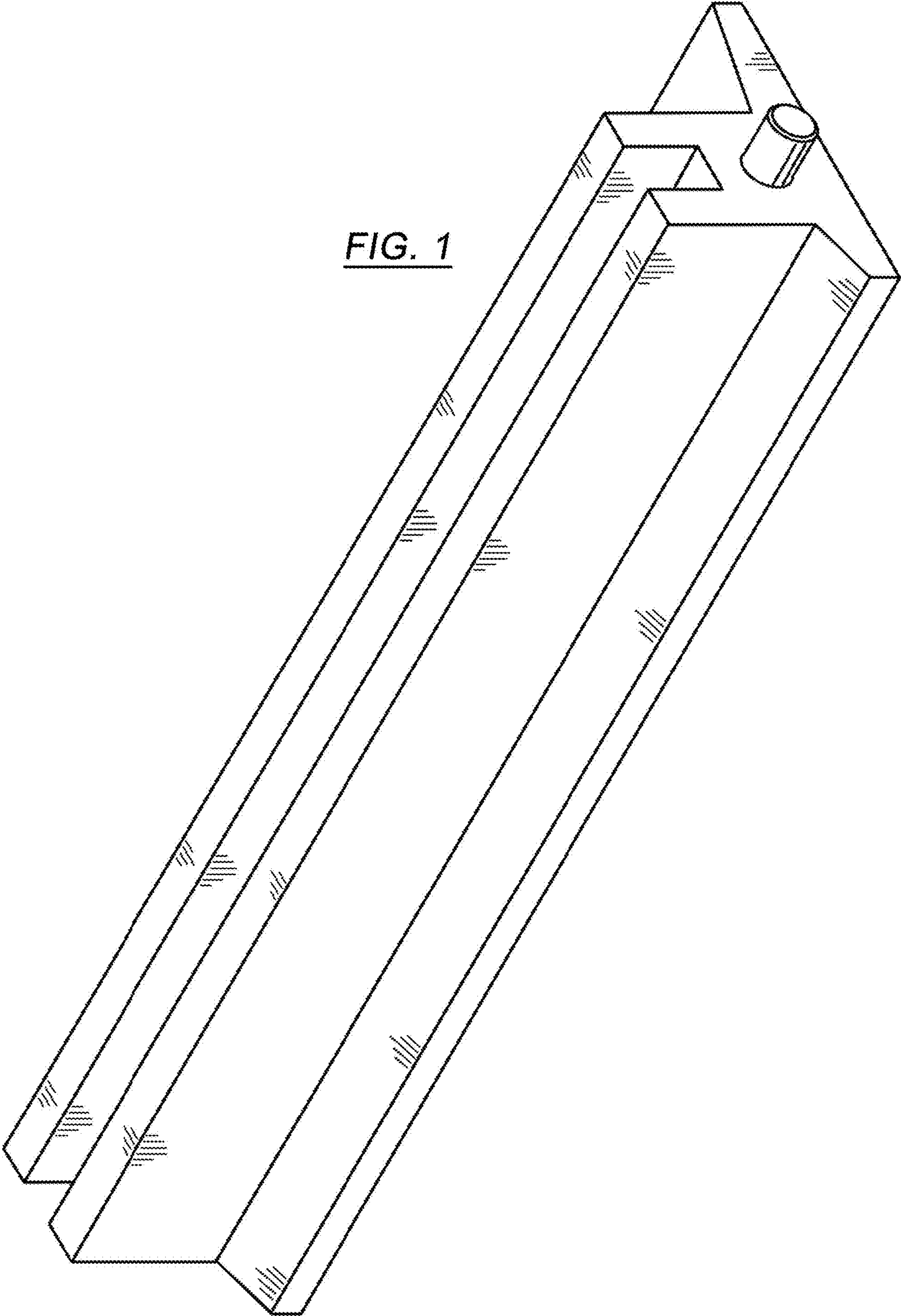


FIG. 1

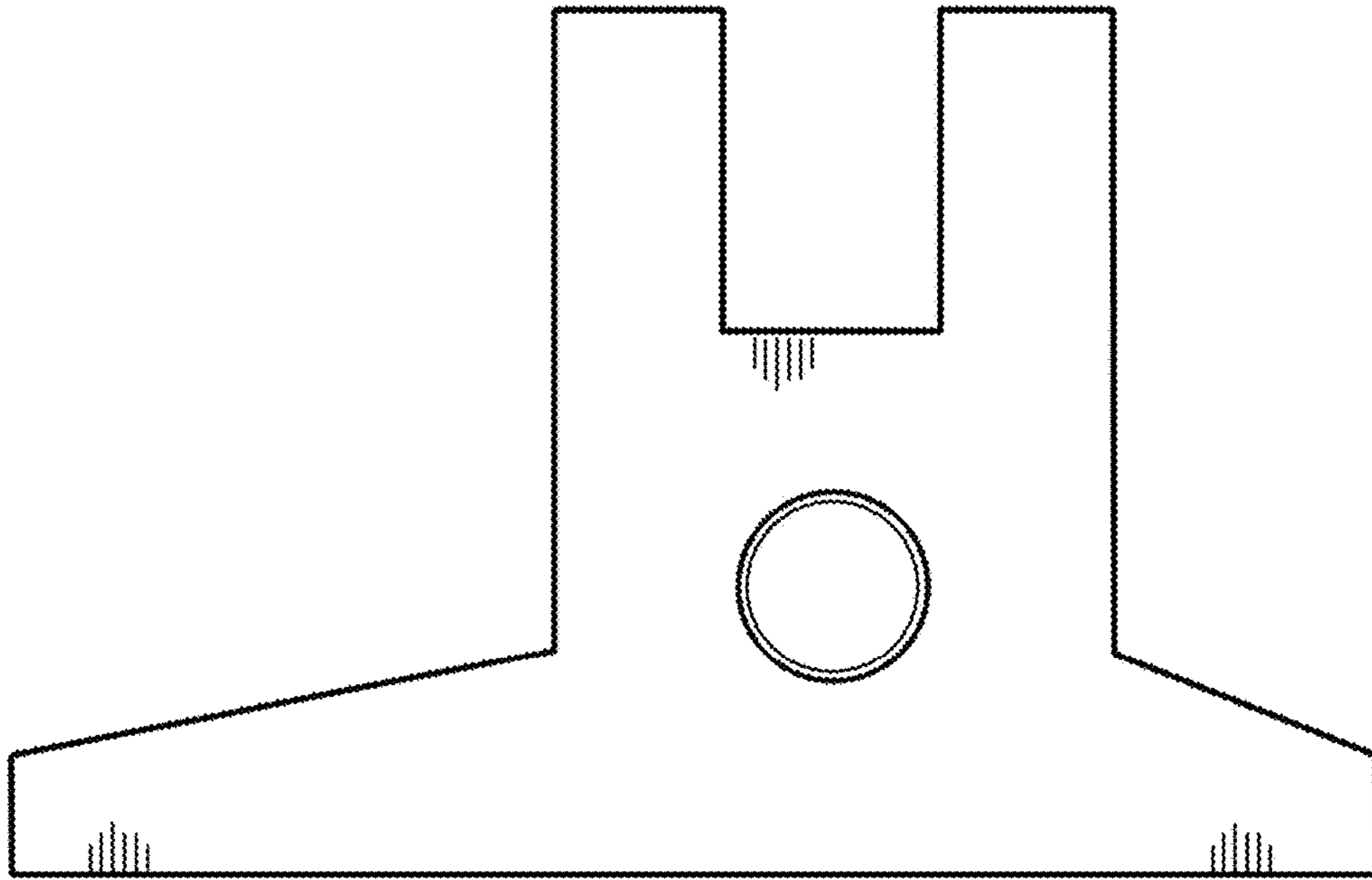


FIG. 2

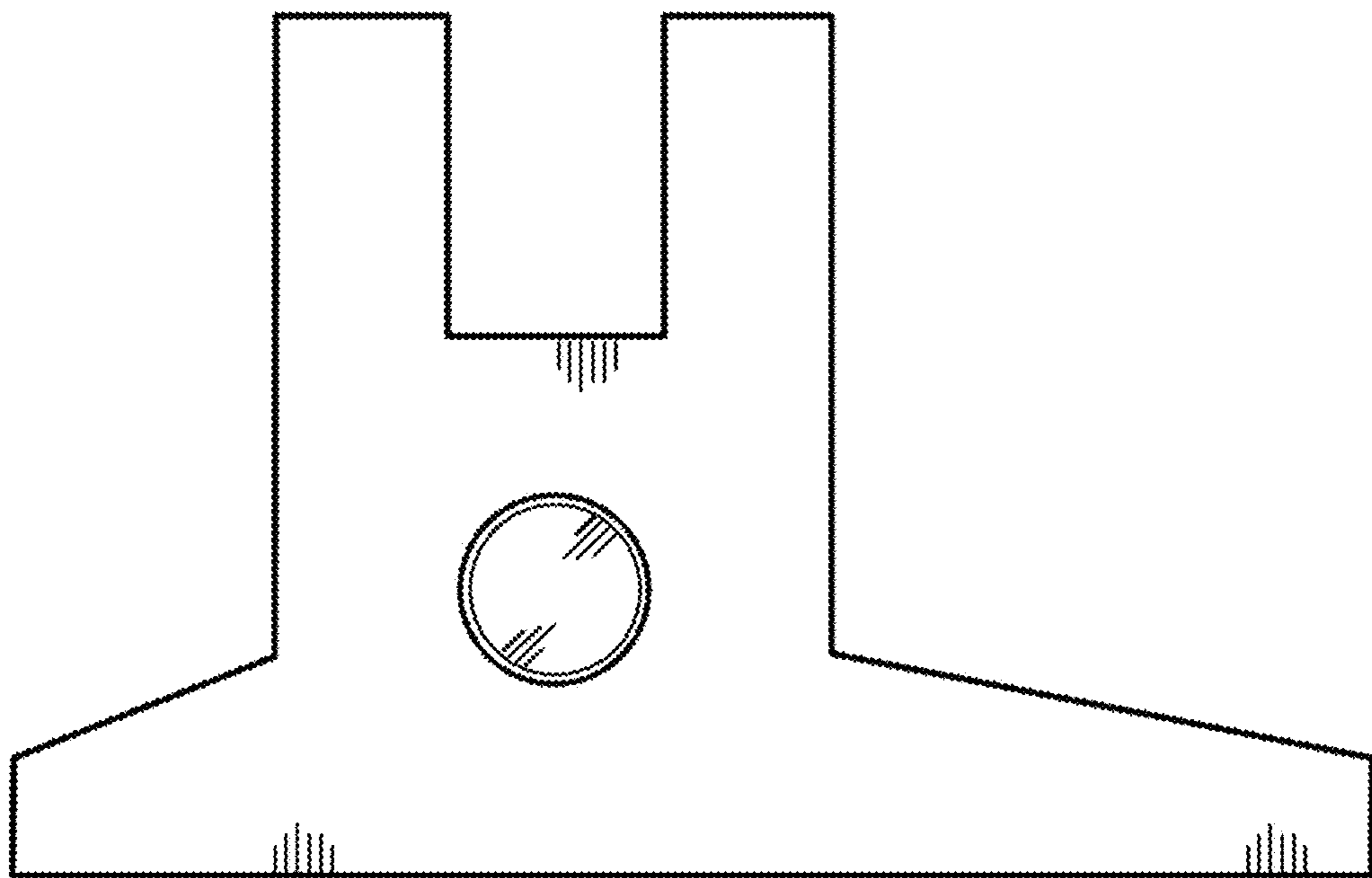


FIG. 3

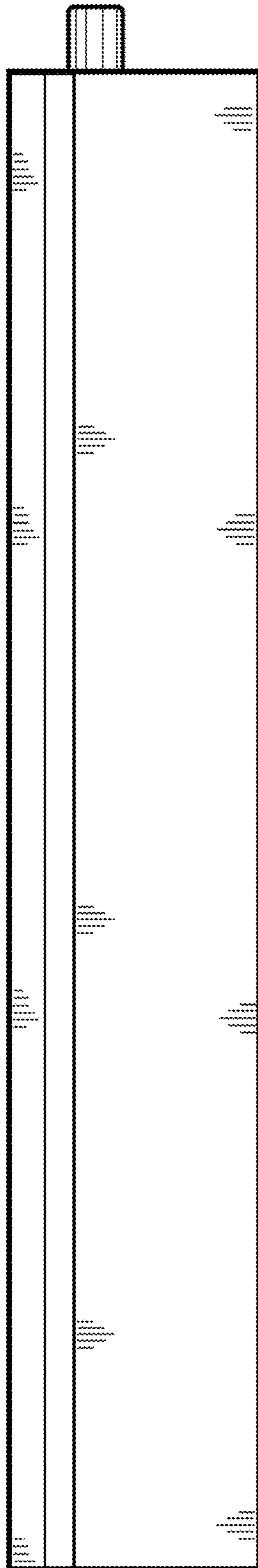


FIG. 4

FIG. 5

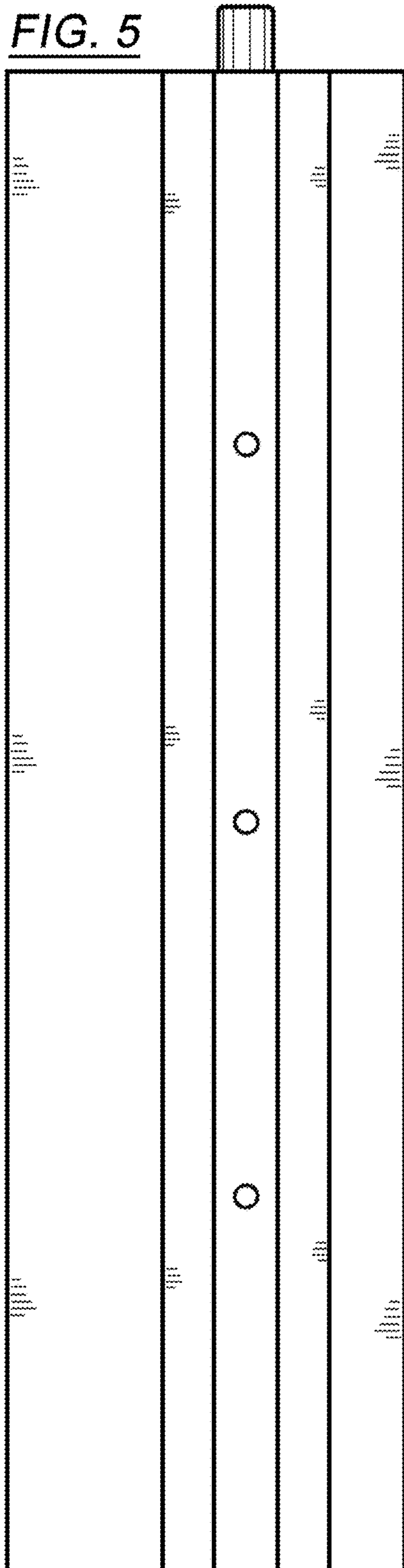
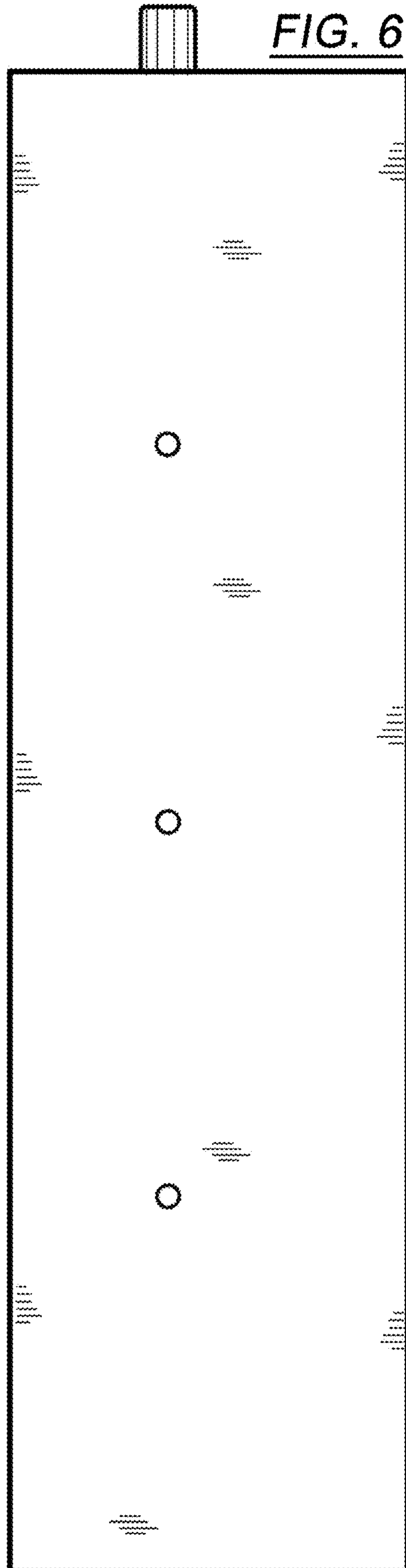


FIG. 6



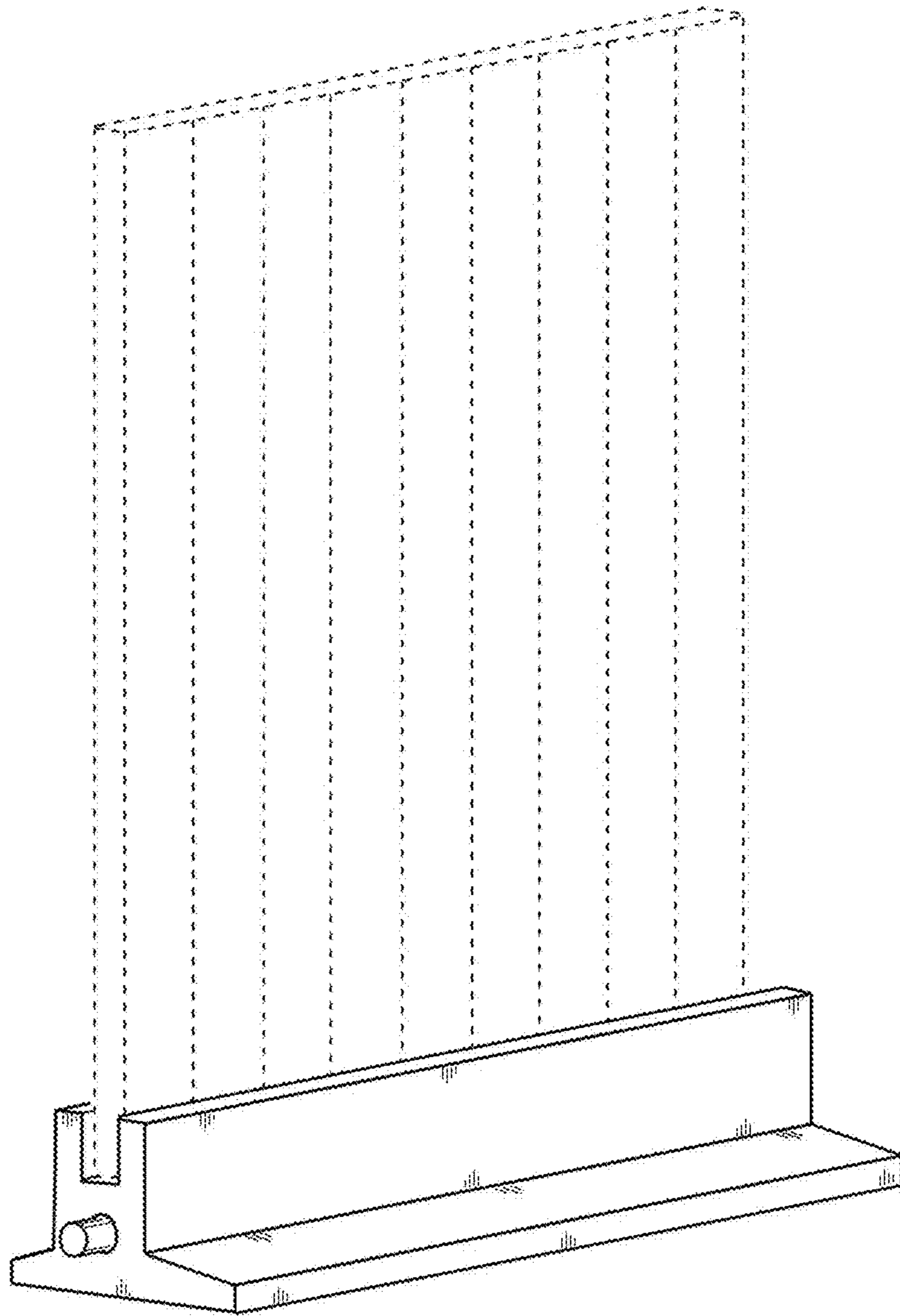


FIG. 7

FIG. 8

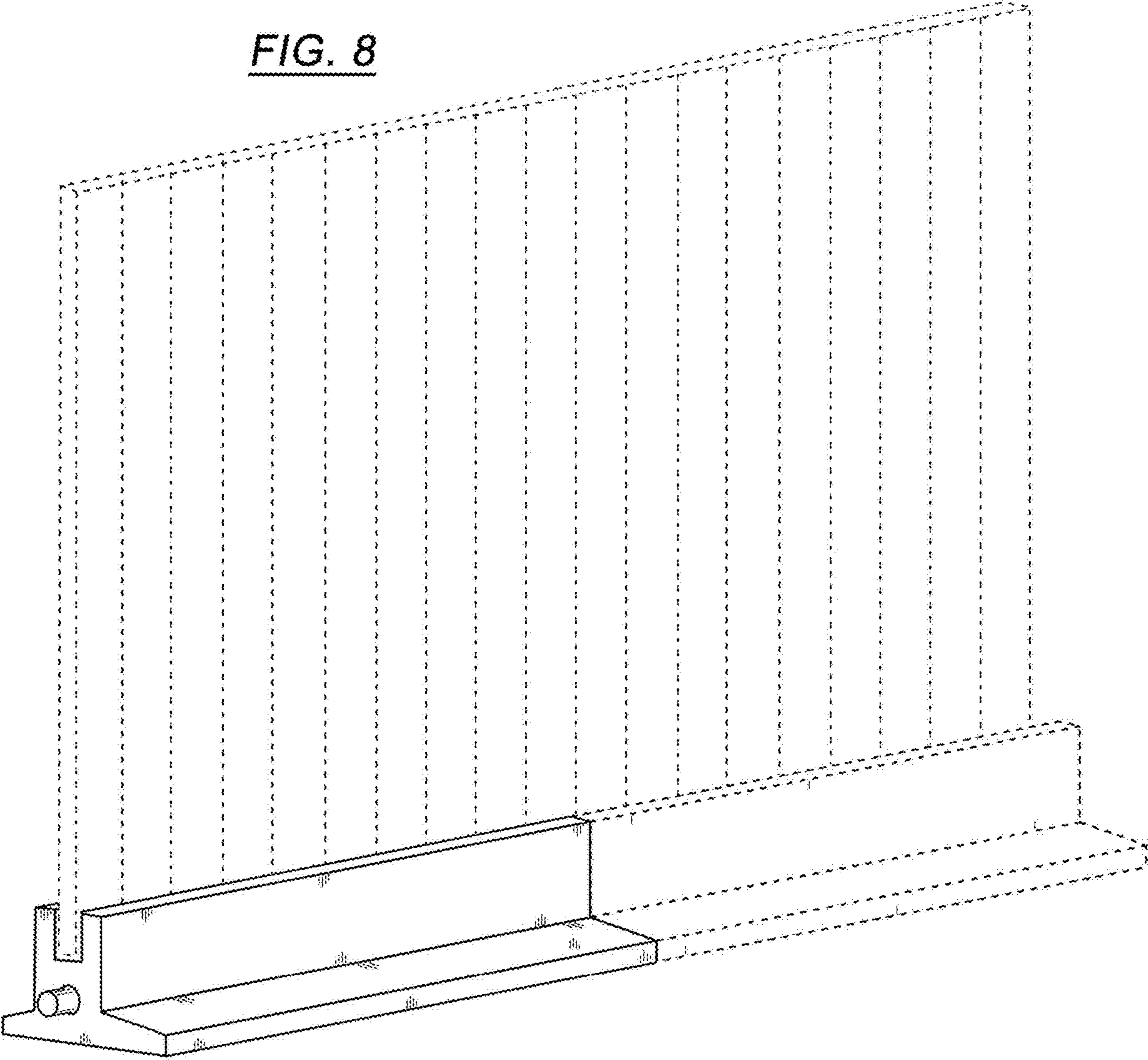


FIG. 9

