



US00D916326S

(12) **United States Design Patent**
Sharp

(10) **Patent No.:** **US D916,326 S**

(45) **Date of Patent:** **** Apr. 13, 2021**

(54) **STORAGE CABINET TRIM PIECE**

(71) Applicant: **Harbor Freight Tools USA, Inc.**,
Calabasas, CA (US)

(72) Inventor: **William Thomas Sharp**, Camarillo,
CA (US)

(73) Assignee: **Harbor Freight Tools USA, INC.**,
Calabasas, CA (US)

(**) Term: **15 Years**

(21) Appl. No.: **29/703,029**

(22) Filed: **Aug. 23, 2019**

(51) **LOC (13) Cl.** **25-01**

(52) **U.S. Cl.**
USPC **D25/119; D6/705**

(58) **Field of Classification Search**
USPC D25/119-125, 164; D3/295, 296, 297,
D3/298; D6/663, 664, 664.1, 667, 671,
D6/671.1, 671.2, 671.3, 671.4, 705,
D6/705.1, 705.2, 705.4, 705.5; D8/315,
D8/319, 320
CPC A47B 17/04; A47B 47/00; A47B 47/04;
A47B 57/00; A47B 7/00; A47B 67/04;
A47B 88/00; A47B 88/40; A47B 88/42;
A47B 88/402; A47B 88/407; A47B
888/413; A47B 88/417; A47B 88/433;
(Continued)

(56) **References Cited**

U.S. PATENT DOCUMENTS

D224,492 S * 8/1972 Inhelder D6/671.1
4,440,461 A * 4/1984 Powell A47B 88/417
312/334.8

(Continued)

FOREIGN PATENT DOCUMENTS

CA 2434056 A1 * 7/2002 B25H 3/028

Primary Examiner — Mimosa De

(74) *Attorney, Agent, or Firm* — McAndrews Held &
Malloy, Ltd.

(57) **CLAIM**

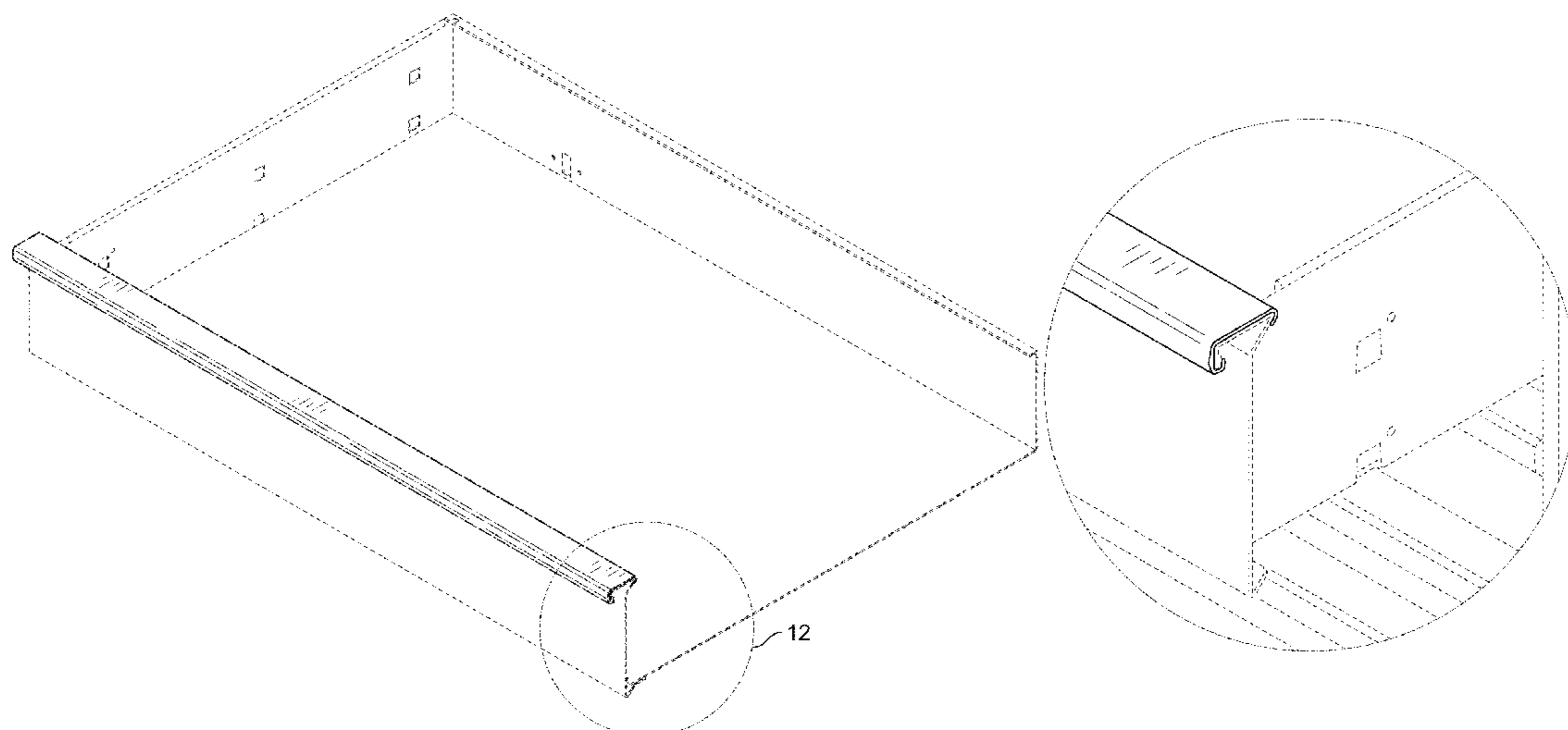
The ornamental design for a storage cabinet trim piece, as
shown and described.

DESCRIPTION

FIG. 1 is a top-front perspective view of a storage cabinet
trim piece showing my new design;
FIG. 2 is a front elevation view thereof;
FIG. 3 is a rear elevation thereof;
FIG. 4 is a right side elevation view thereof;
FIG. 5 is a left side elevation view thereof;
FIG. 6 is a top plan view thereof;
FIG. 7 is a bottom plan view thereof;
FIG. 8 is an enlarged cut-away view of FIG. 1, showing a
drawer on which the storage cabinet trim piece is installed,
the drawer being shown separately for clarity of illustration;
FIG. 9 is an enlarged view of the portion 9 encircled in FIG.
1;
FIG. 10 is an enlarged view of the portion 10 encircled in
FIG. 4;
FIG. 11 is an enlarged view of the portion 11 encircled in
FIG. 5;
FIG. 12 is an enlarged view of the portion 12 encircled in
FIG. 8; and,
FIG. 13 is an enlarged view of the portion 13 encircled in
FIG. 7.

The dashed broken lines in the figures illustrate portions of
the storage cabinet trim piece that form no part of the
claimed design. the storage cabinet trim piece is shown with
a symbolic break in its length. The appearance of any portion
of the storage cabinet trim piece between the jagged break
lines forms no part of the claimed design. The dot-dash
broken lines in the drawings encircle portions of the claimed
design that are illustrated in enlargements and form no part
of the claimed design.

1 Claim, 10 Drawing Sheets



(58) **Field of Classification Search**

CPC A47B 88/90; A47B 88/906; A47B 88/944;
A47B 88/994; A47B 63/02; B62B 3/006;
E05B 65/46; F16B 12/44; E04B
2001/2436; E04B 2001/2448

See application file for complete search history.

(56) **References Cited**

U.S. PATENT DOCUMENTS

4,861,123 A * 8/1989 Russell A47B 88/906
312/330.1
D388,986 S * 1/1998 Dittberner D6/705.5
D398,795 S * 9/1998 Zapf D6/705.5
D402,836 S * 12/1998 Waddell D6/705
D419,693 S * 1/2000 Hersh D25/119
D420,149 S * 2/2000 Hersh D25/119
6,374,649 B1 * 4/2002 Holcomb E05B 65/46
312/215
6,527,353 B1 * 3/2003 Bradfish E05B 65/46
312/332.1
D477,479 S * 7/2003 Henderson D6/705
7,048,347 B1 * 5/2006 Liu E05B 65/46
312/332.1
7,461,908 B1 * 12/2008 Heiligenthal E05B 65/46
312/217
D660,462 S * 5/2012 Chen D25/119
9,386,847 B1 * 7/2016 Jeffries A47B 88/417
9,630,312 B2 * 4/2017 Grela A47B 88/40
D868,508 S * 12/2019 Sprang D6/671

* cited by examiner

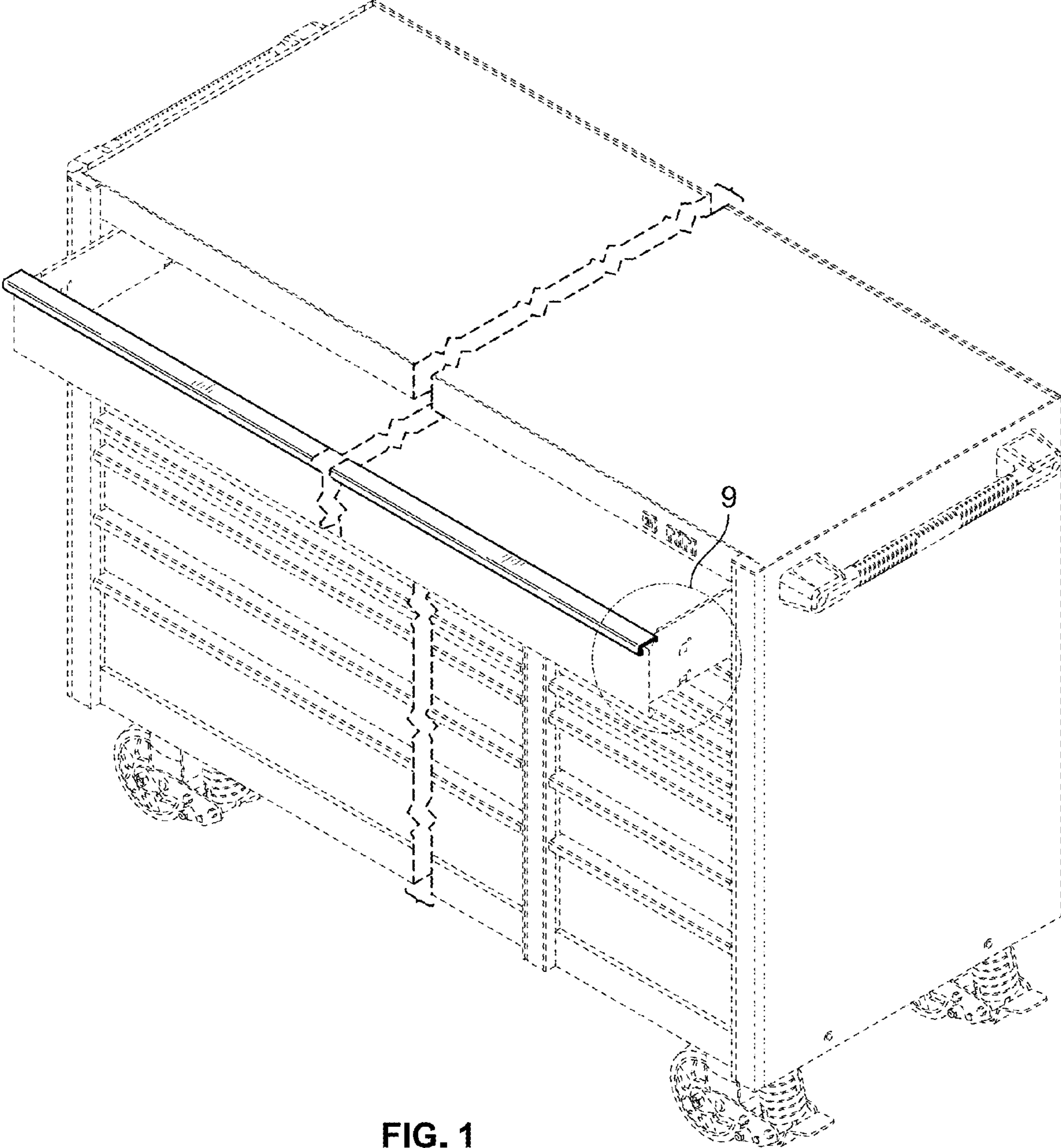


FIG. 1

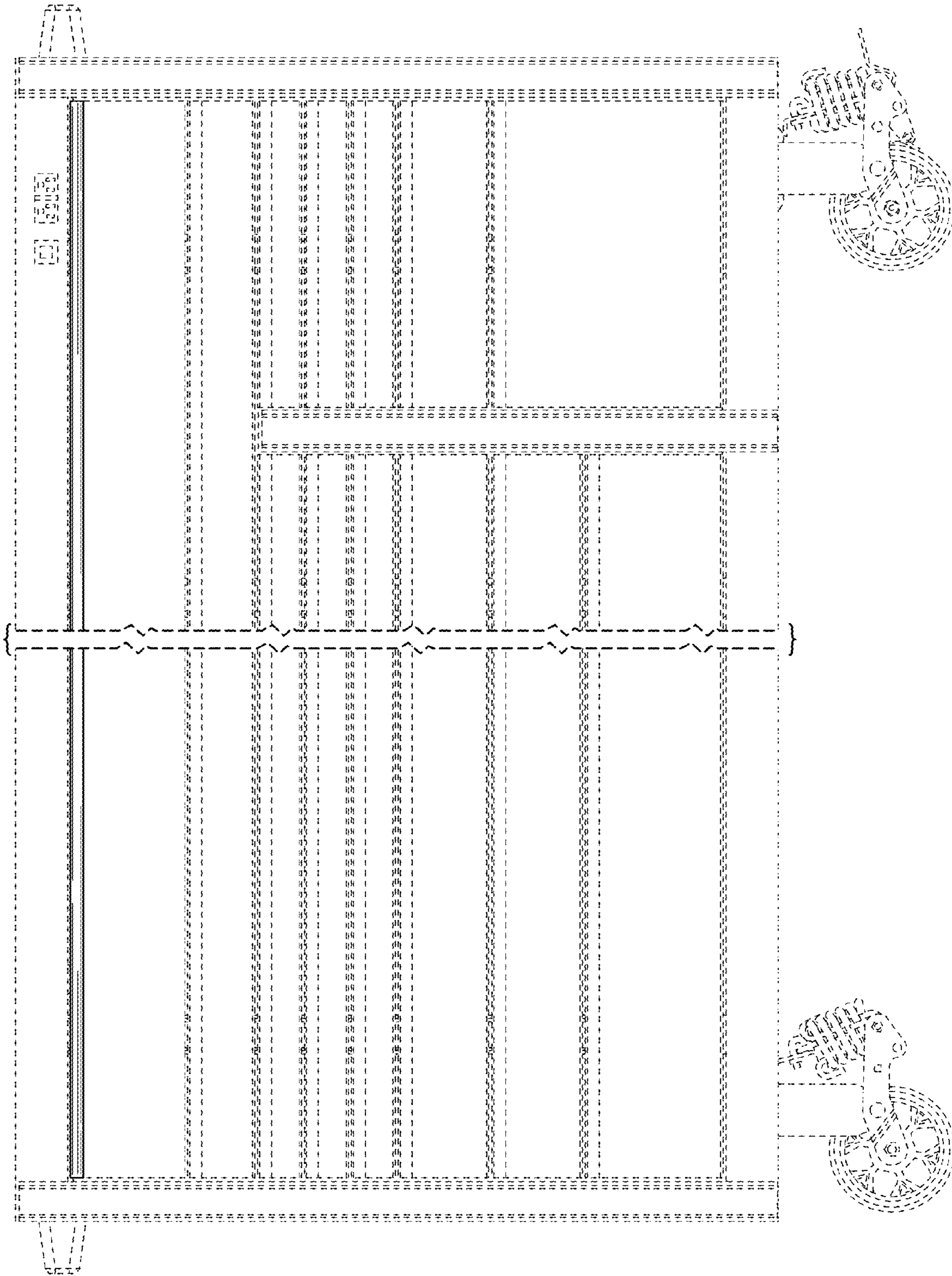


FIG. 2

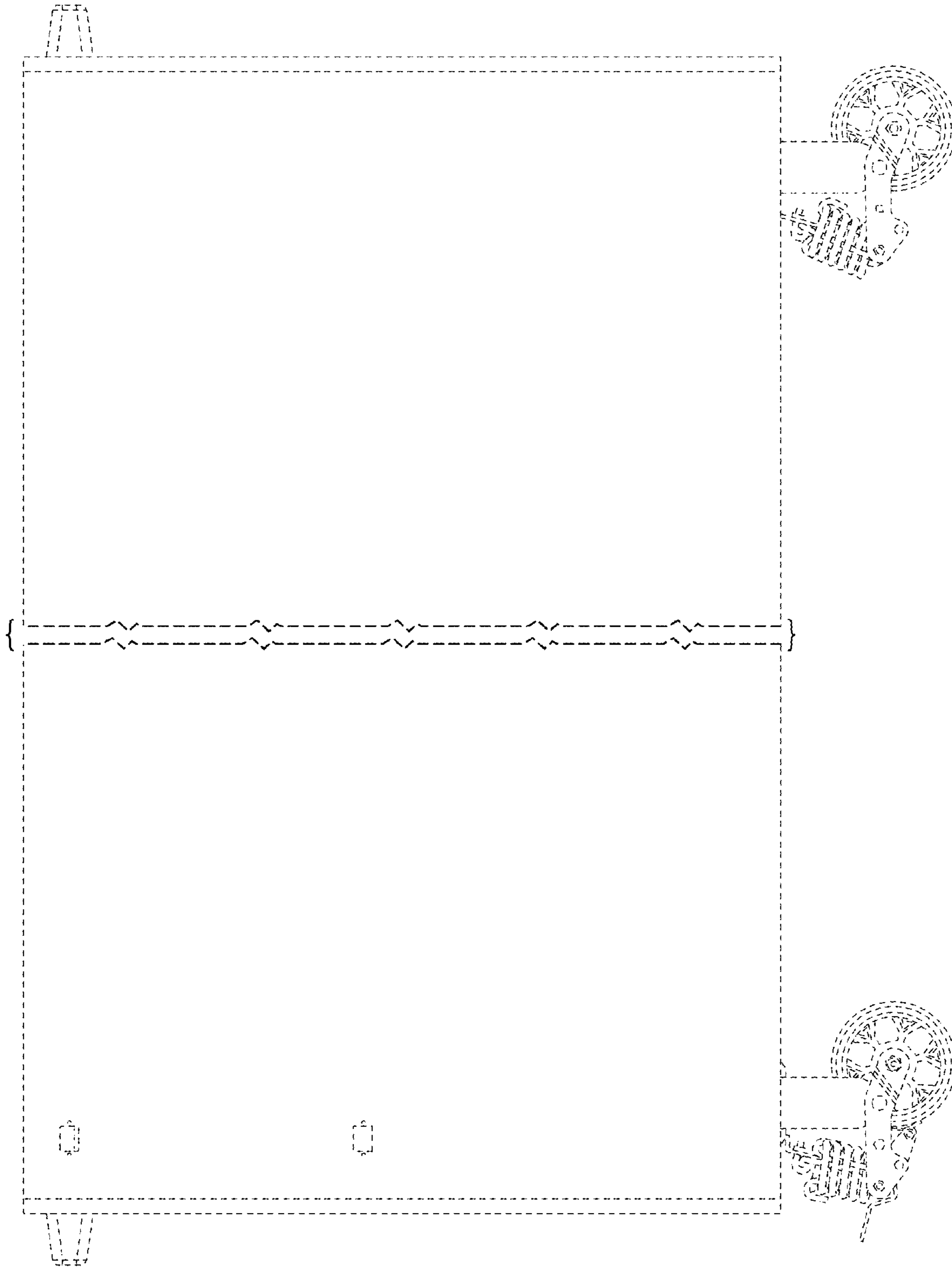


FIG. 3

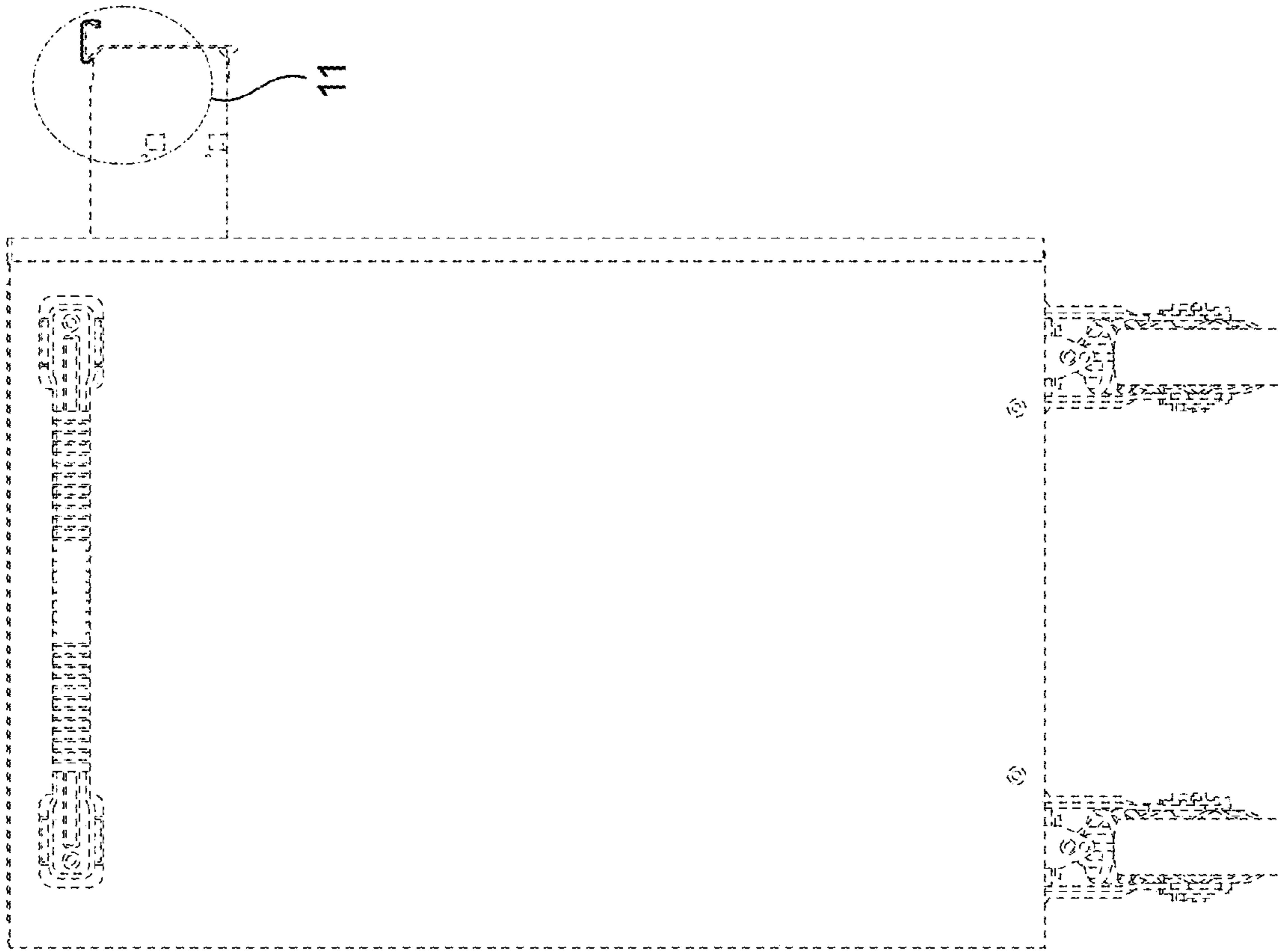


FIG. 4

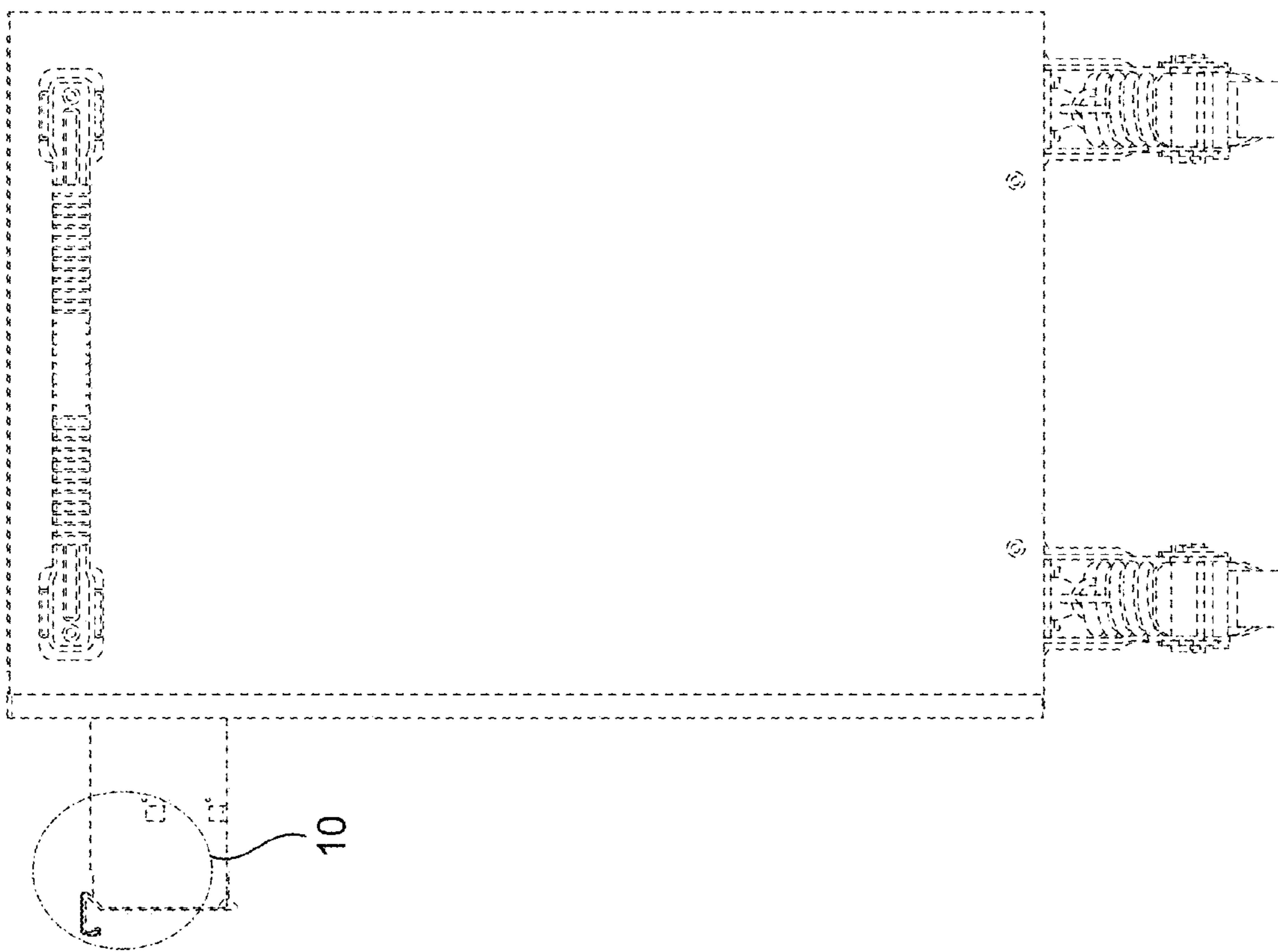


FIG. 5

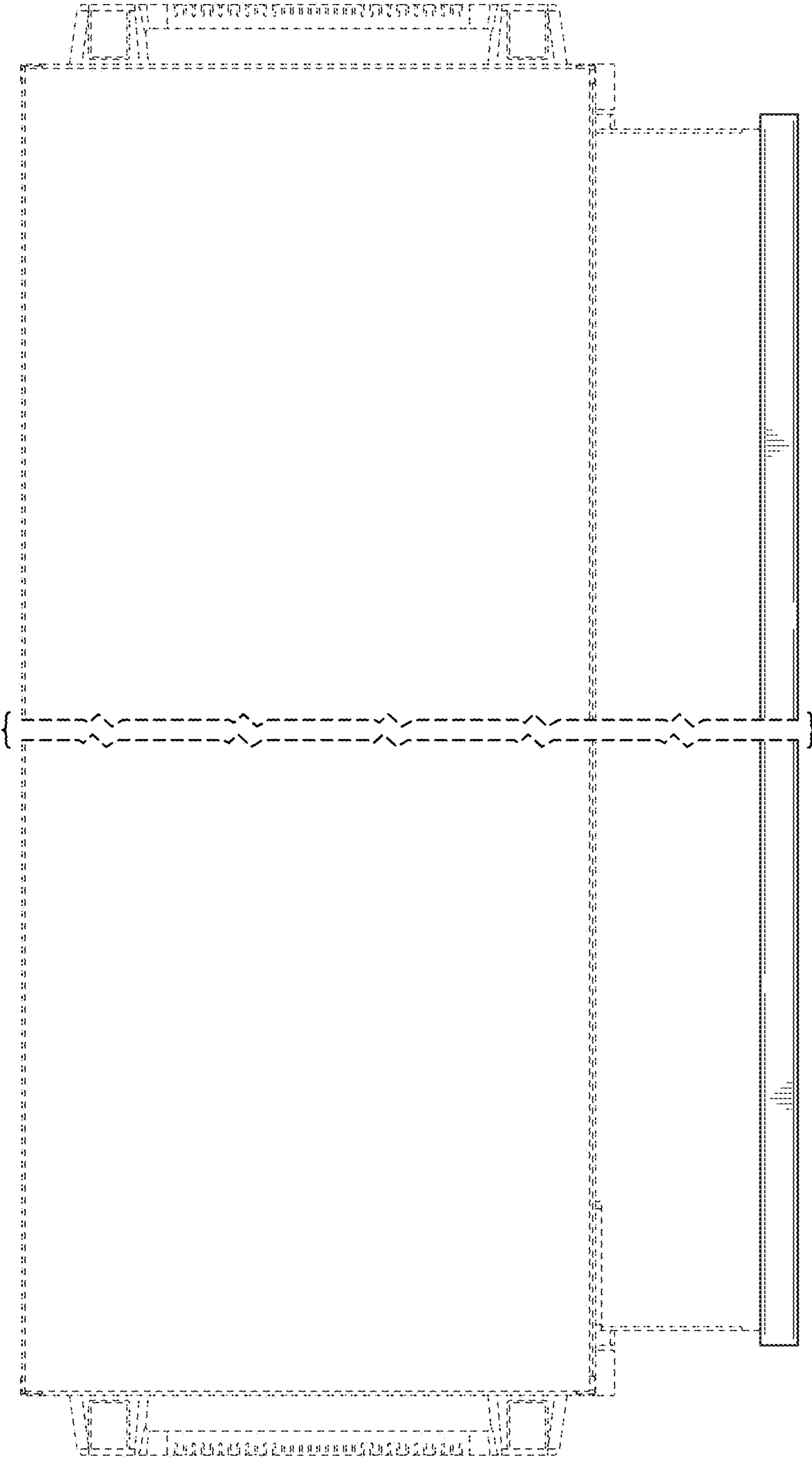


FIG. 6

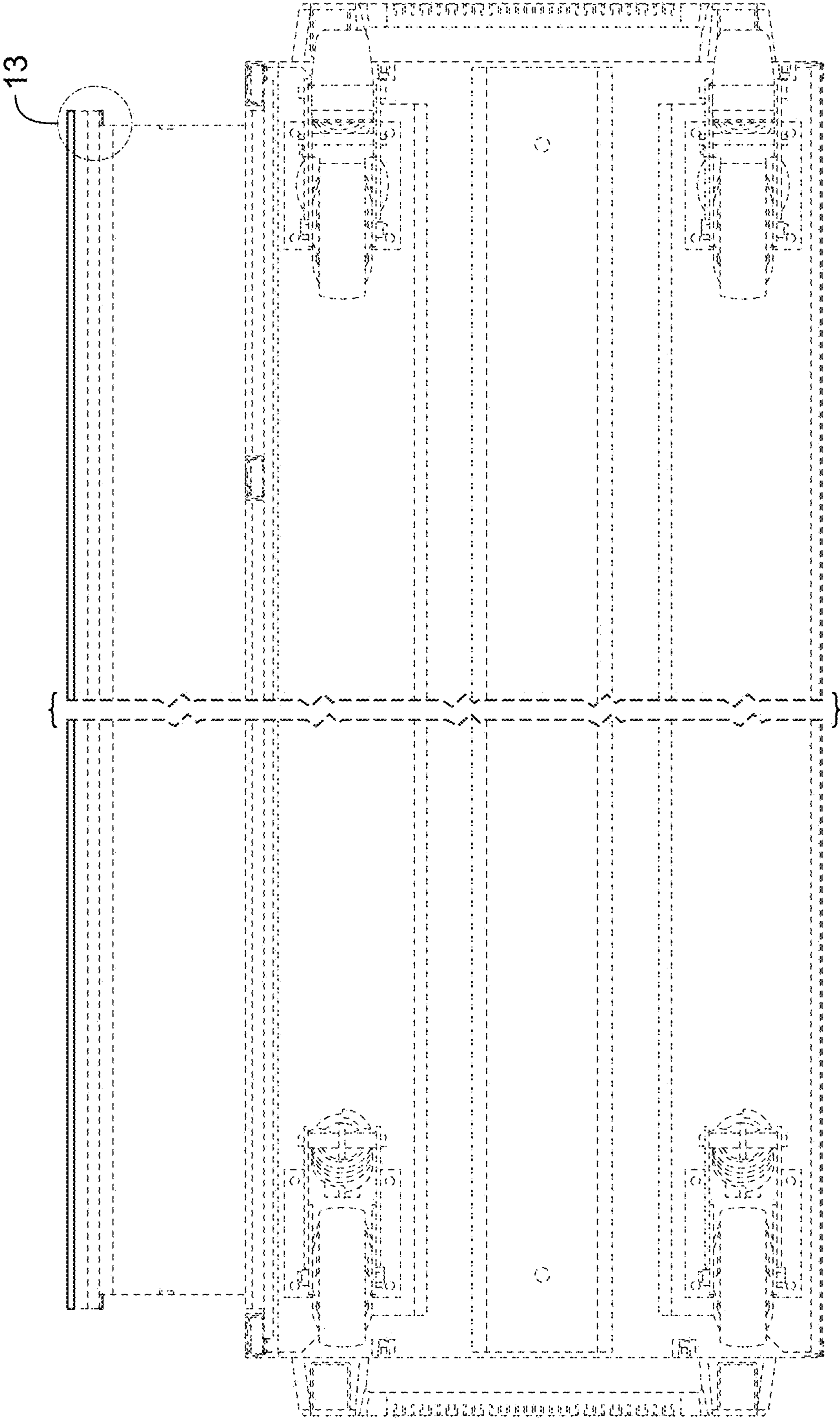


FIG. 7

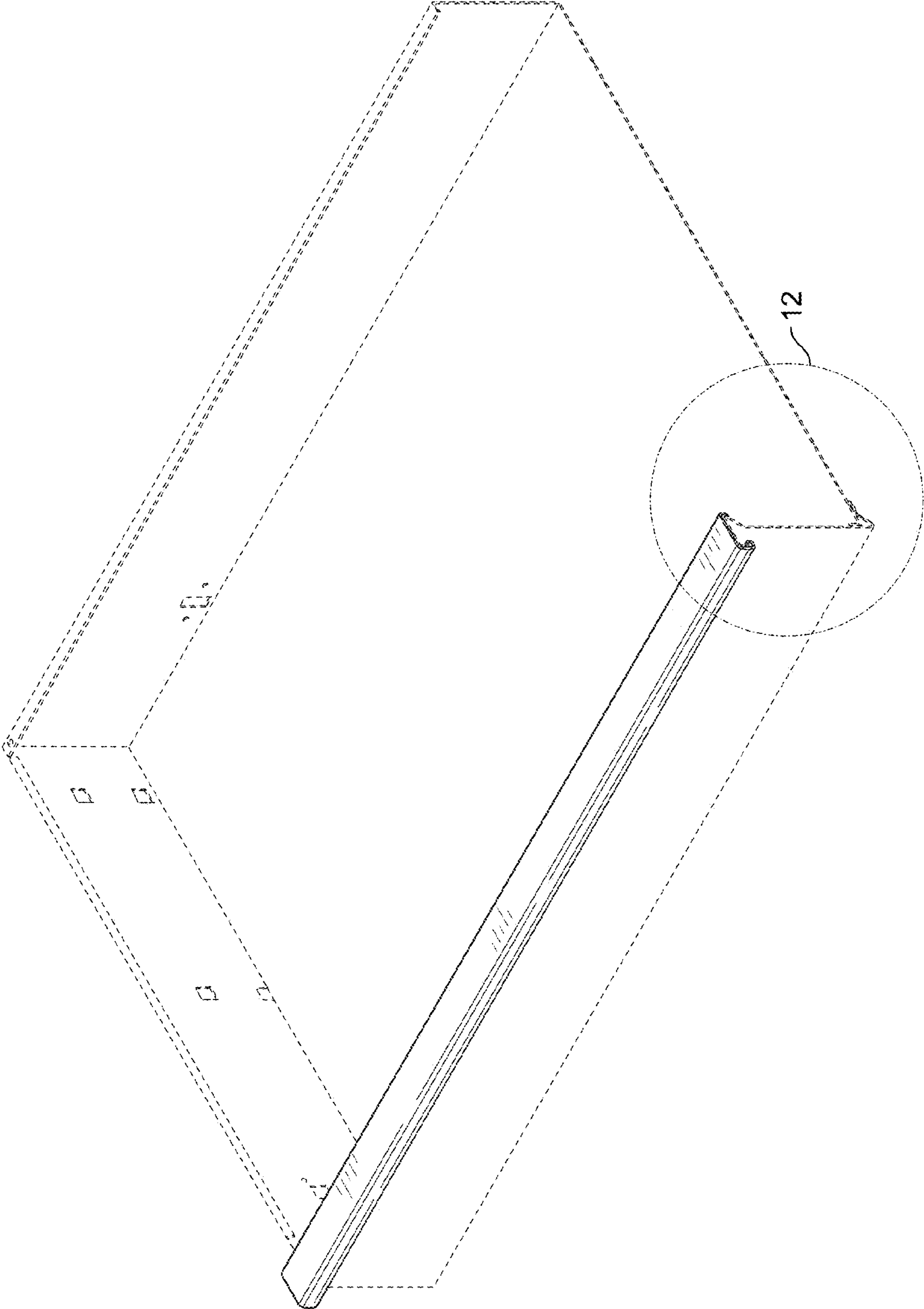


FIG. 8

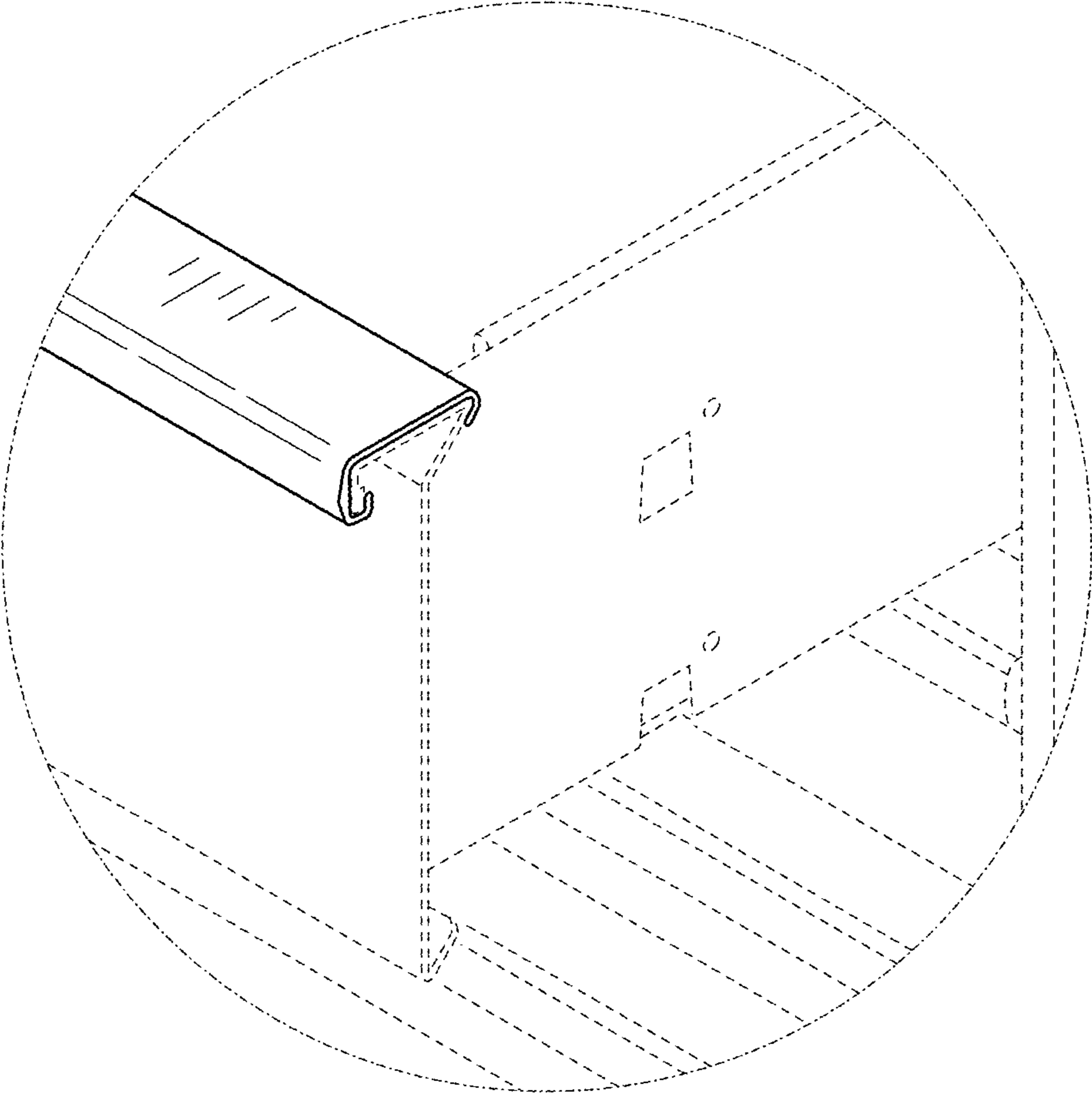


FIG. 9

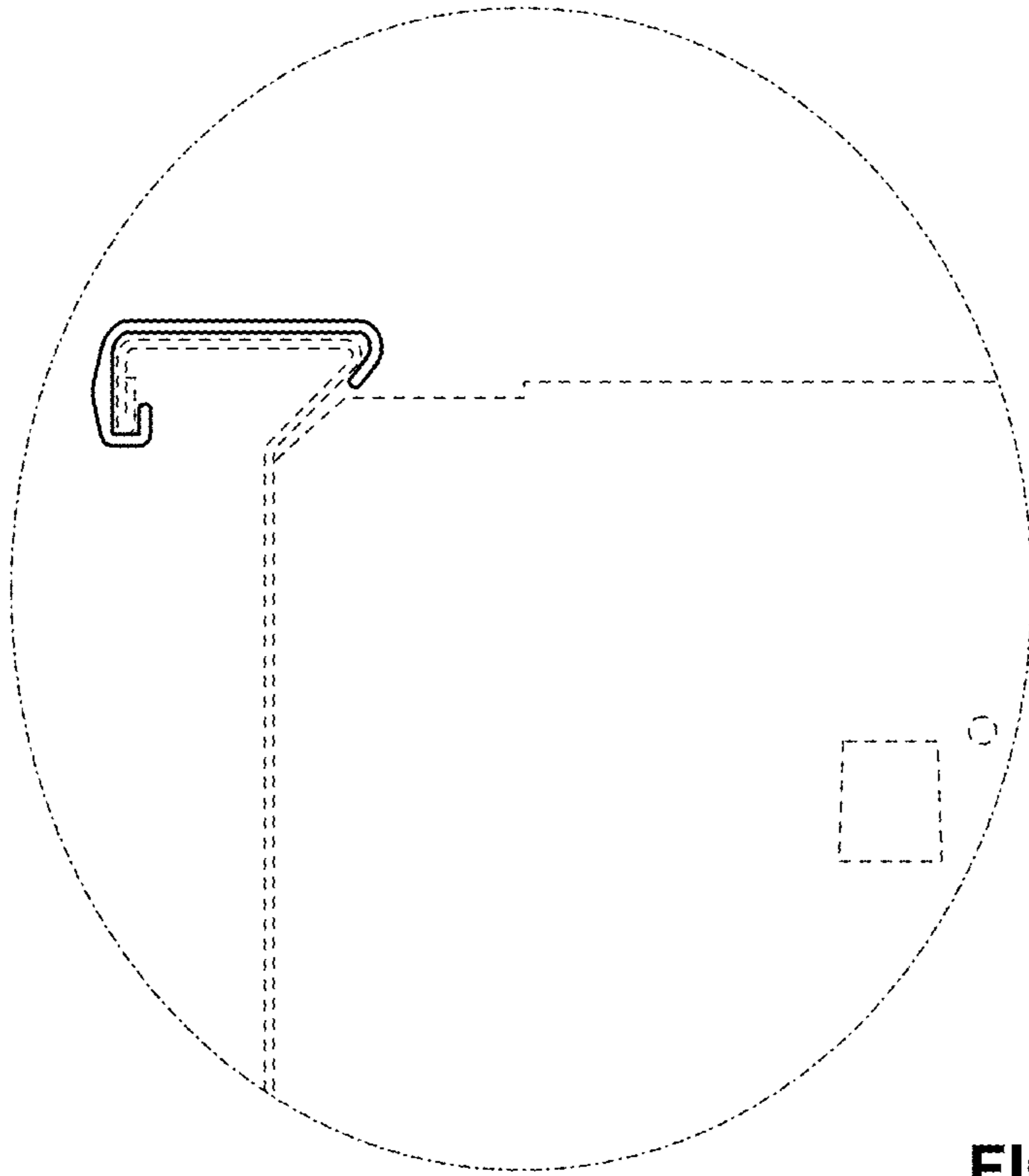


FIG. 10

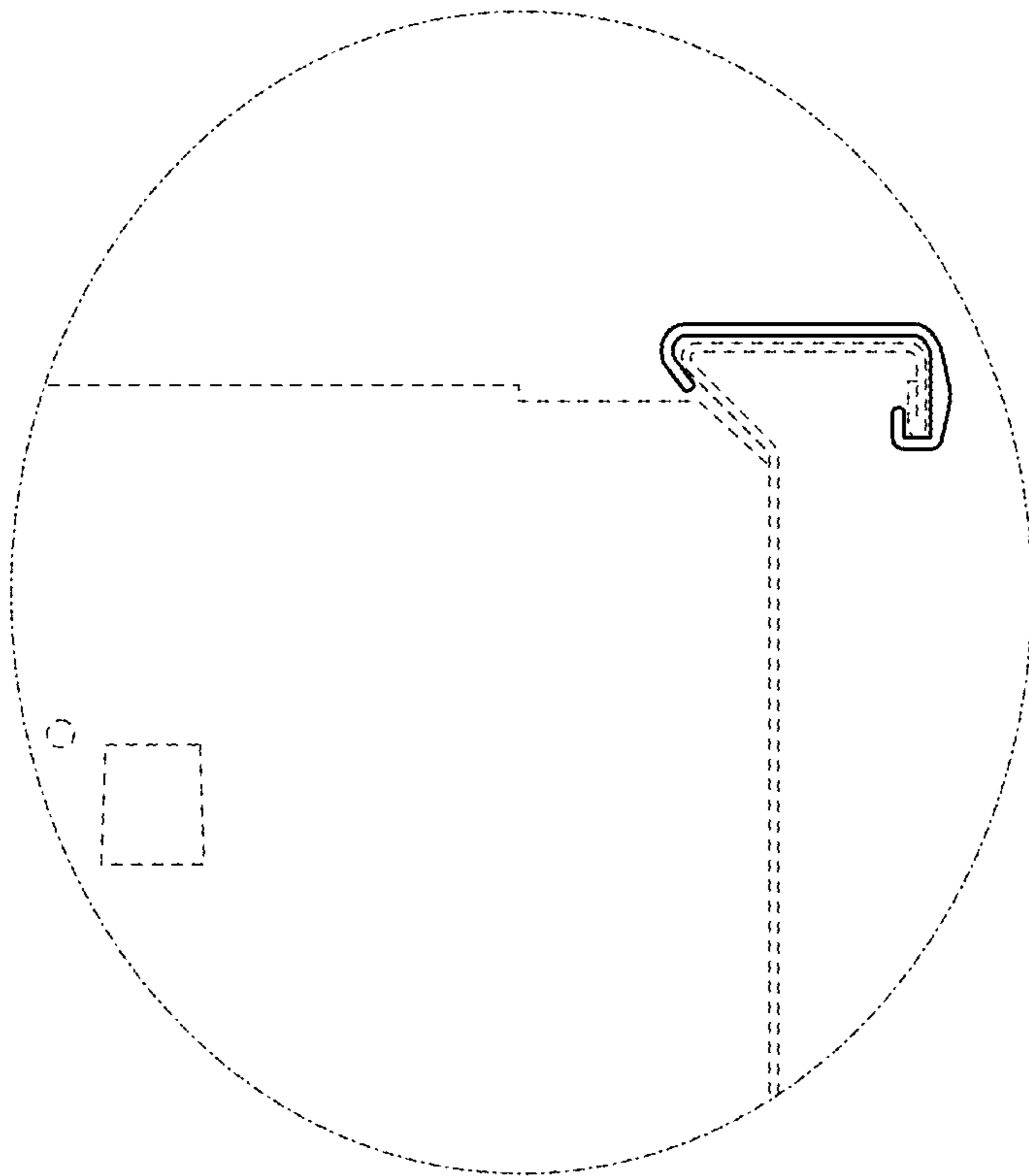


FIG. 11

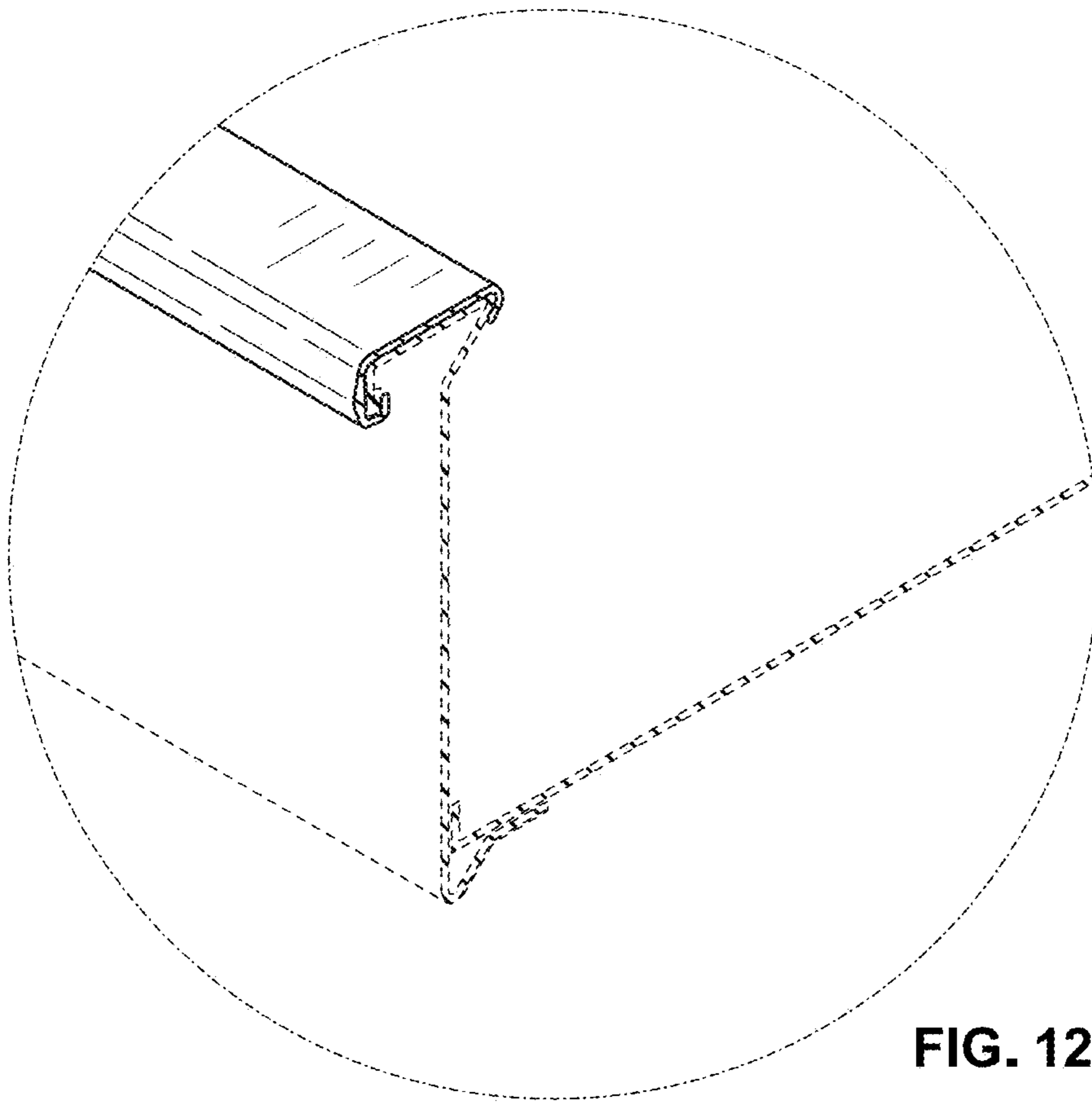


FIG. 12

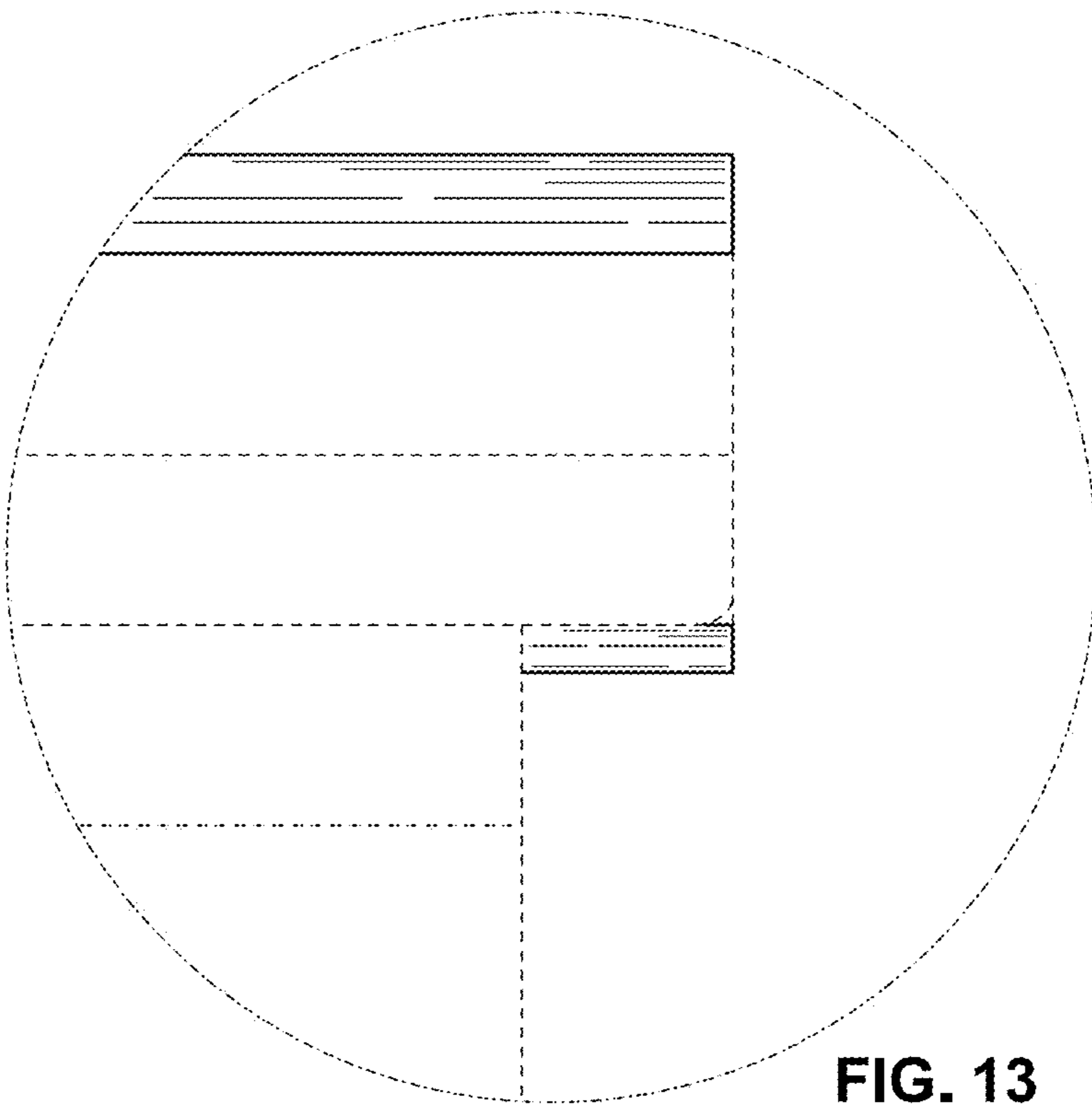


FIG. 13