



US00D916325S

(12) **United States Design Patent** (10) **Patent No.:** **US D916,325 S**
Paya-Marin (45) **Date of Patent:** **** Apr. 13, 2021**

- (54) **ROOFLIGHT**
- (71) Applicant: **Kingspan Holdings (IRL) Limited**,
County Cavan (IE)
- (72) Inventor: **Miguel Paya-Marin**, Chester (GB)
- (73) Assignee: **Kingspan Holdings (IRL) Limited**,
Kingscourt (IE)
- (**) Term: **15 Years**
- (21) Appl. No.: **29/683,060**
- (22) Filed: **Mar. 11, 2019**
- (51) **LOC (13) Cl.** **25-02**
- (52) **U.S. Cl.**
USPC **D25/103**
- (58) **Field of Classification Search**
USPC D12/106, 401, 404; D23/325, 373, 387;
D25/47.1, 48.7, 48.8, 103
CPC F24F 7/00; F24F 7/02; F24F 7/025; B60H
1/00207; B60H 1/00357; B60H 1/00364;
B60H 1/00514; B60H 1/245; B60H 1/26;
B60H 1/262; E04D 13/03; E04D
13/0305; E04D 13/0315; E04D 13/0325;
Y10S 49/01; B60J 7/1642
See application file for complete search history.

- (56) **References Cited**
U.S. PATENT DOCUMENTS
4,278,414 A * 7/1981 Weisner B29C 51/082
425/388
D489,462 S * 5/2004 Blomberg D25/48.7
7,395,636 B2 * 7/2008 Blomberg E04D 13/03
359/591
D794,216 S * 8/2017 Kastner D25/48.7

D817,515 S * 5/2018 Paya D25/48.7
D886,327 S * 6/2020 Horvath D25/48.7
2007/0180789 A1 * 8/2007 Valentz E04D 13/0305
52/200

FOREIGN PATENT DOCUMENTS

EM 003142678-0001 * 8/2018

OTHER PUBLICATIONS

SIG Signature Series Commercial Prismatic Skylights <https://www.acuitybrands.com/products/detail/348064/sunoptics/sig/signature-series-commercial-prismatic-skylights> Jun. 2016 (Year: 2016).*

* cited by examiner

Primary Examiner — Leanne Was-Englehart
(74) *Attorney, Agent, or Firm* — Harness, Dickey & Pierce, P.L.C.

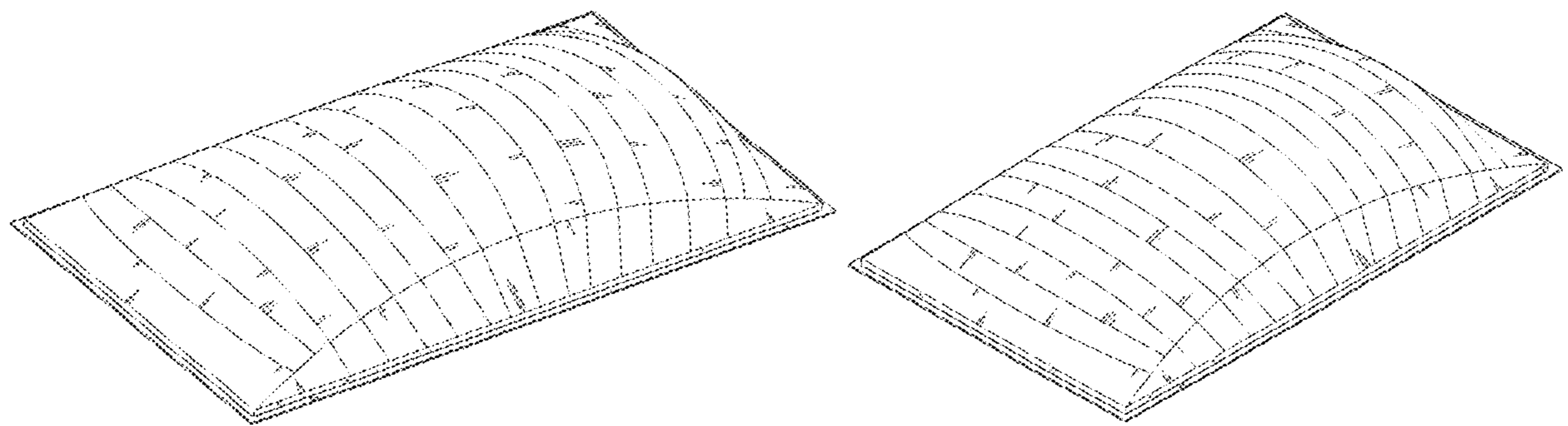
(57) **CLAIM**

The ornamental design for a rooflight, as shown and described.

DESCRIPTION

FIG. 1 is a front perspective view of a rooflight of our design.
 FIG. 2 is a side elevation view of FIG. 1.
 FIG. 3 is a top plan view of FIG. 1.
 FIG. 4 is a front elevation view of FIG. 1.
 FIG. 5 is a front perspective of an additional embodiment.
 FIG. 6 is a side elevation view of FIG. 5.
 FIG. 7 is a top plan view of FIG. 5; and,
 FIG. 8 is a front elevation view of FIG. 5.

1 Claim, 8 Drawing Sheets



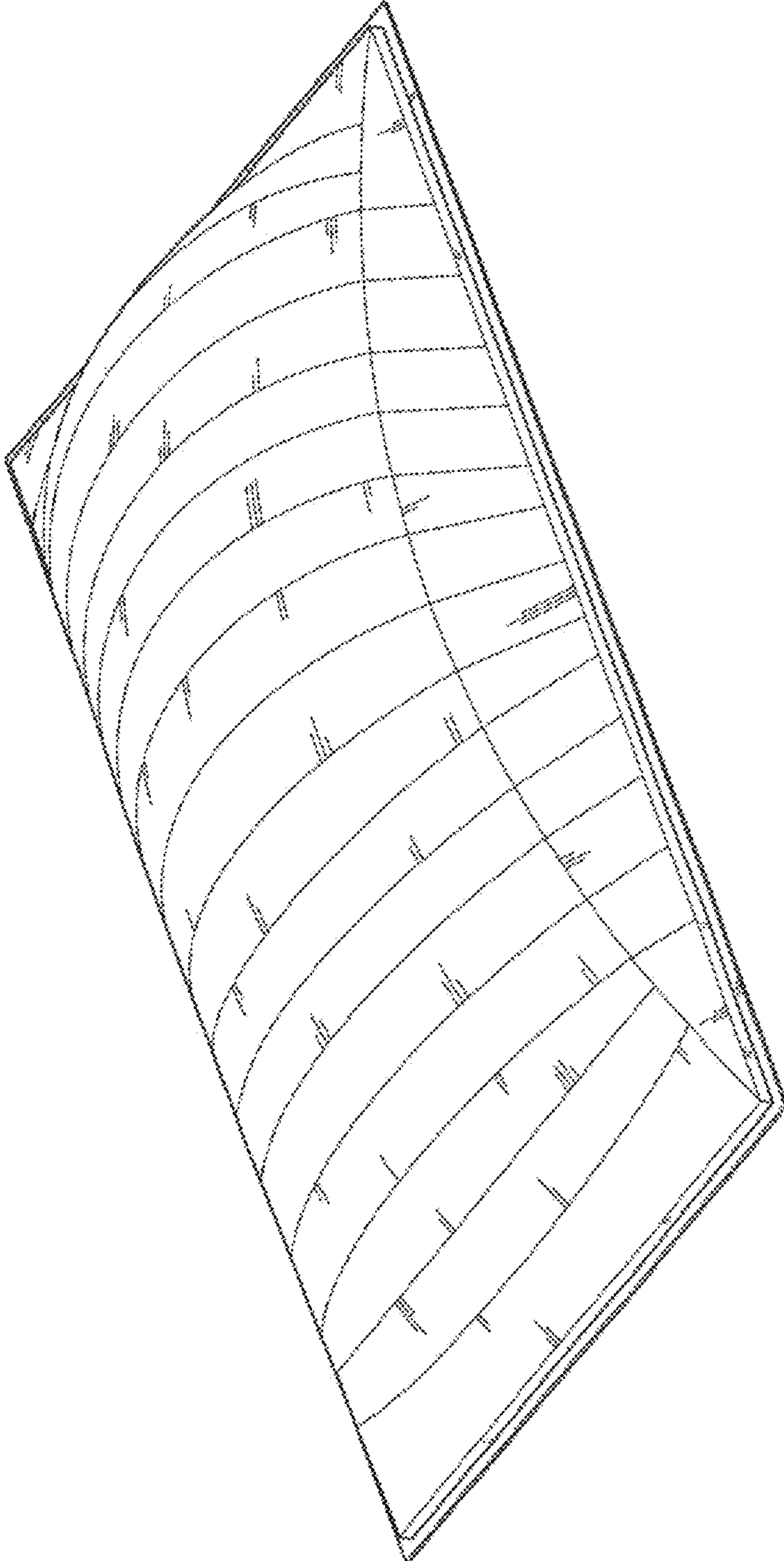


Fig. 1

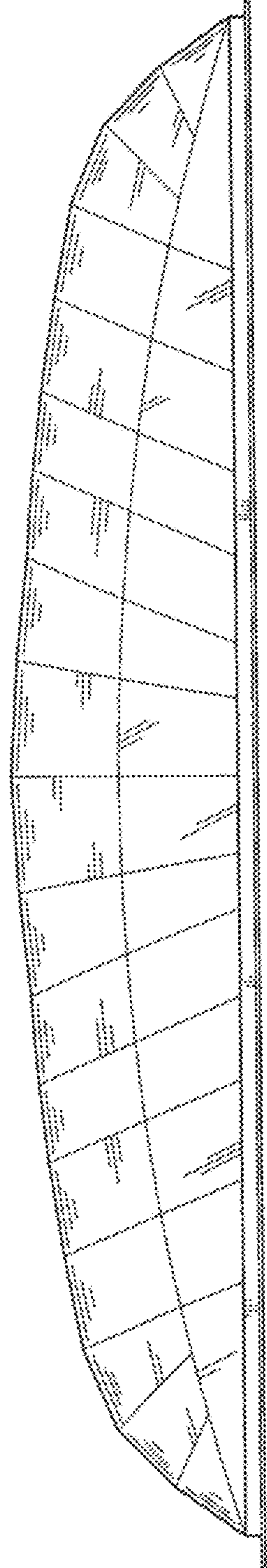


FIG. 2

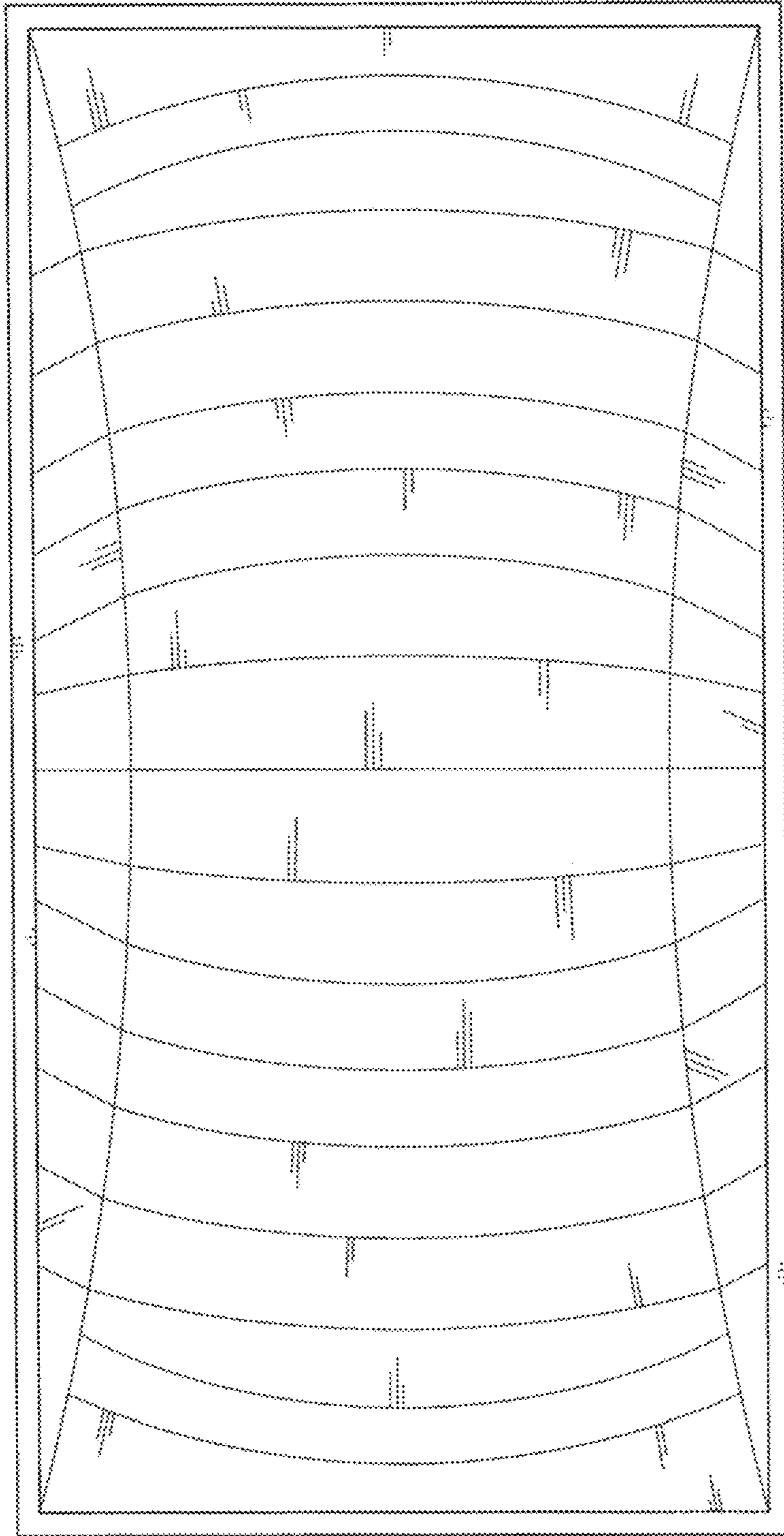


Fig. 3

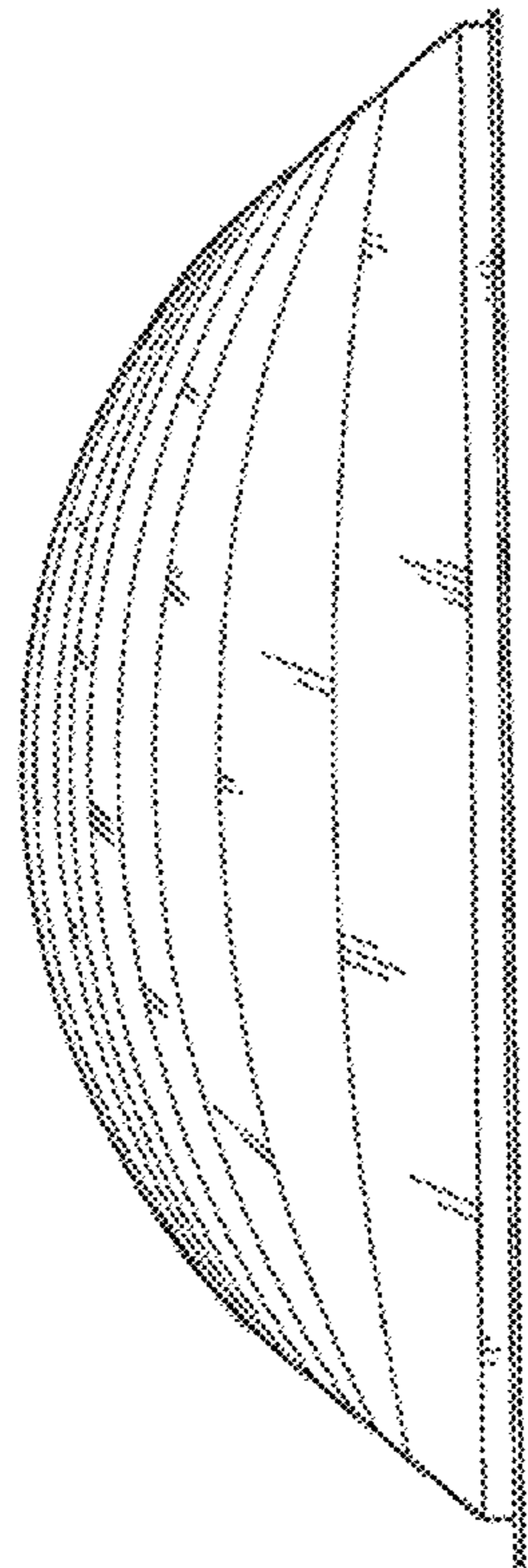


Fig. 4

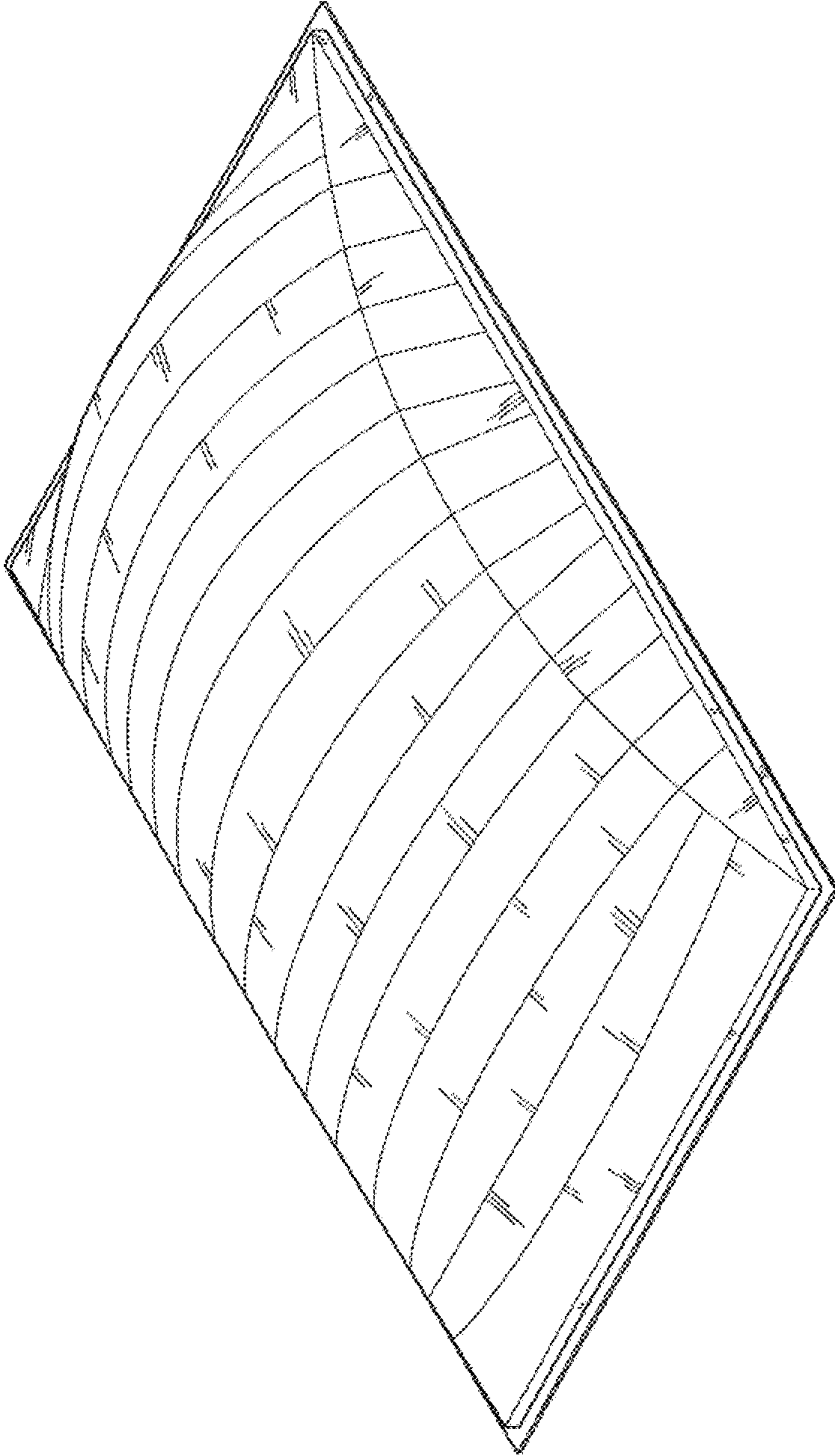


Fig. 5

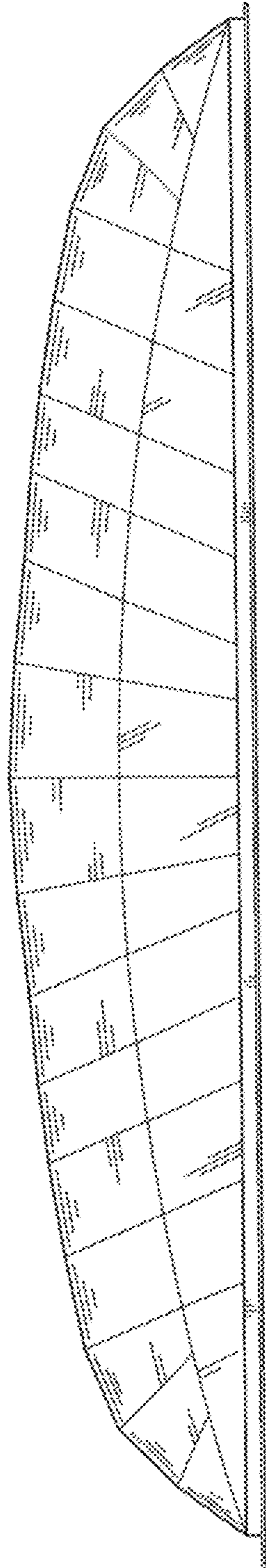


Fig. 6

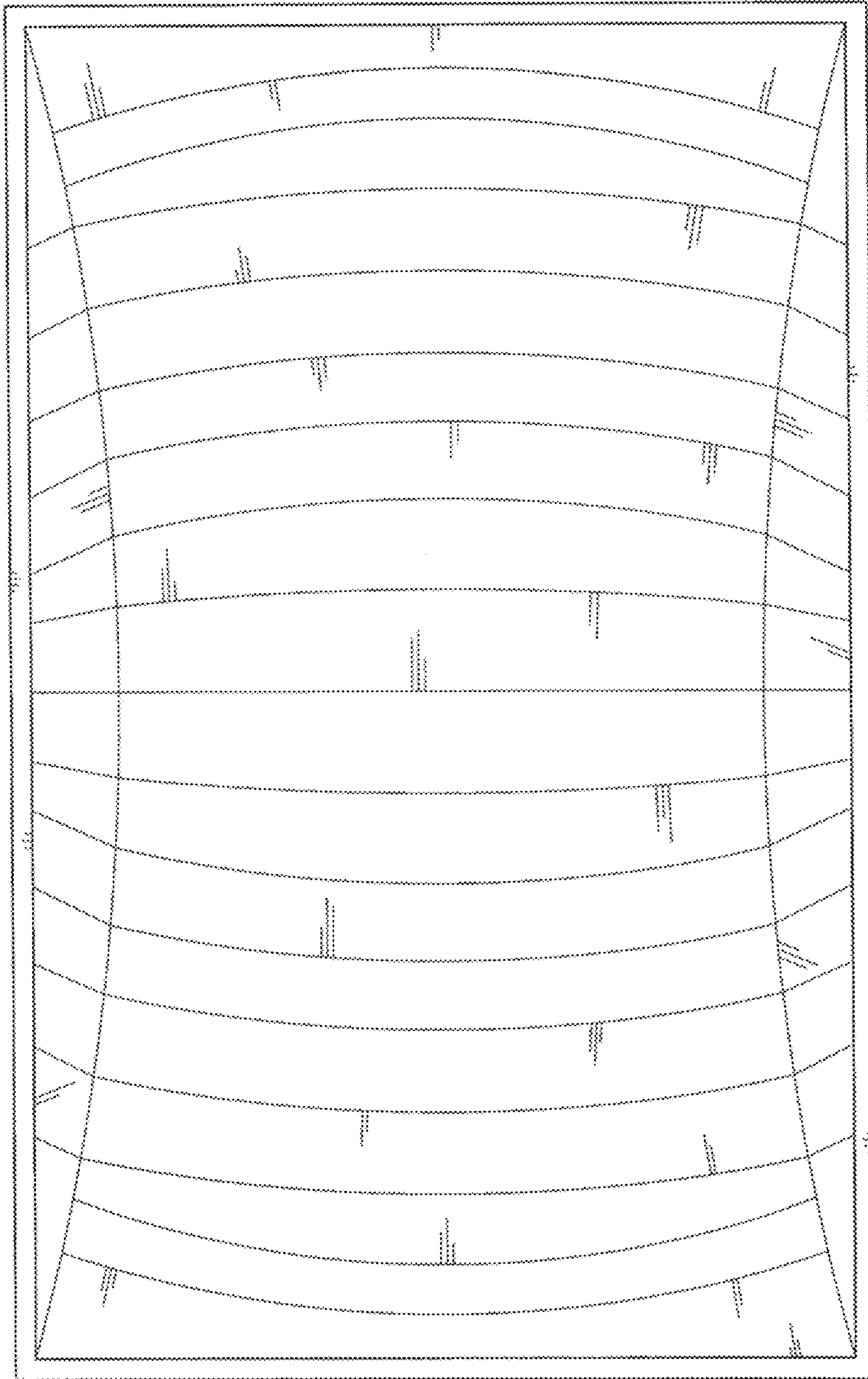


Fig. 7

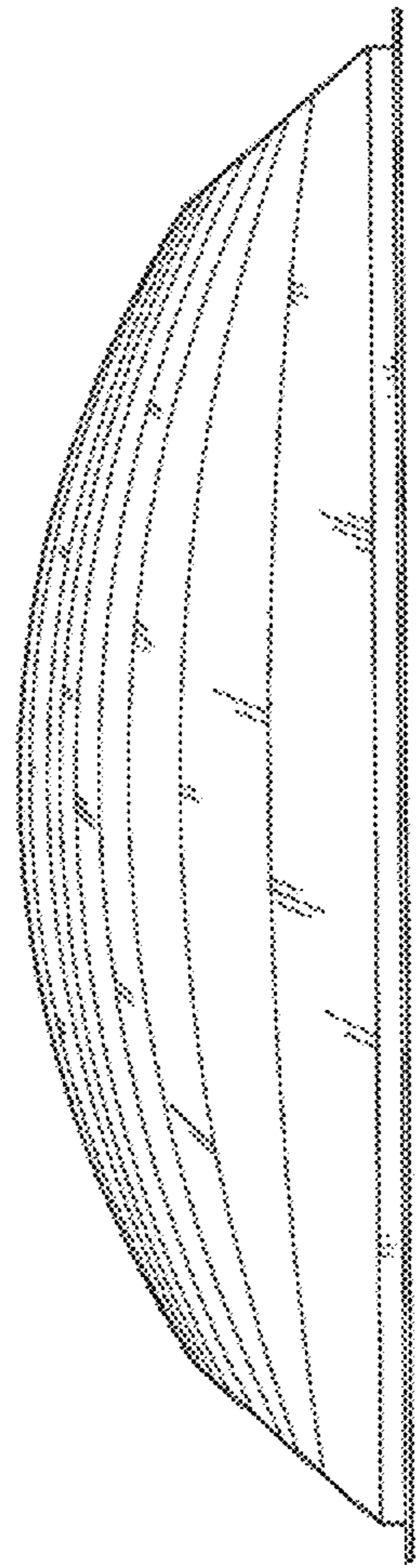


Fig. 8