



US00D916323S

(12) **United States Design Patent**
Melton et al.

(10) **Patent No.:** **US D916,323 S**
(45) **Date of Patent:** **** Apr. 13, 2021**

(54) **LADDER FOOT**

(71) Applicants: **Michael T. Melton**, Glen Ellyn, IL (US); **Thomas Murray**, Philadelphia, PA (US); **Thomas J. Dooley**, Media, PA (US); **Daniel Massam**, Langhorne, PA (US); **Ryan W. Duever**, Sycamore, IL (US)

(72) Inventors: **Michael T. Melton**, Glen Ellyn, IL (US); **Thomas Murray**, Philadelphia, PA (US); **Thomas J. Dooley**, Media, PA (US); **Daniel Massam**, Langhorne, PA (US); **Ryan W. Duever**, Sycamore, IL (US)

(73) Assignee: **Werner Co.**, Greenville, PA (US)

(**) Term: **15 Years**

(21) Appl. No.: **29/691,158**

(22) Filed: **May 14, 2019**

(51) **LOC (13) Cl.** **25-04**

(52) **U.S. Cl.**
USPC **D25/68**

(58) **Field of Classification Search**
USPC D25/62-65, 68, 69; 182/108, 110, 204, 182/109, 107, 134, 221, 111, 201
CPC . E06C 7/44; E06C 7/488; E06C 7/143; E06C 1/36; E06C 7/50; E06C 7/46; E06C 5/32
See application file for complete search history.

(56) **References Cited**

U.S. PATENT DOCUMENTS

1,494,692 A * 5/1924 Lohlker E06C 7/46
182/110
1,536,434 A * 5/1925 Hearn E06C 7/46
182/111

5,154,255 A * 10/1992 Kiska E06C 7/46
182/111
D341,664 S * 11/1993 Newkirk D25/68
5,370,203 A * 12/1994 Kiska E06C 7/42
182/109
6,745,870 B2 * 6/2004 Smith E06C 7/44
182/201
D506,270 S * 6/2005 Rieger D25/68
7,837,010 B2 * 11/2010 Astor E06C 7/46
182/220
10,017,989 B1 * 7/2018 Kellogg E06C 7/46

* cited by examiner

Primary Examiner — Gino Colan

(74) *Attorney, Agent, or Firm* — Ansel M. Schwartz

(57) **CLAIM**

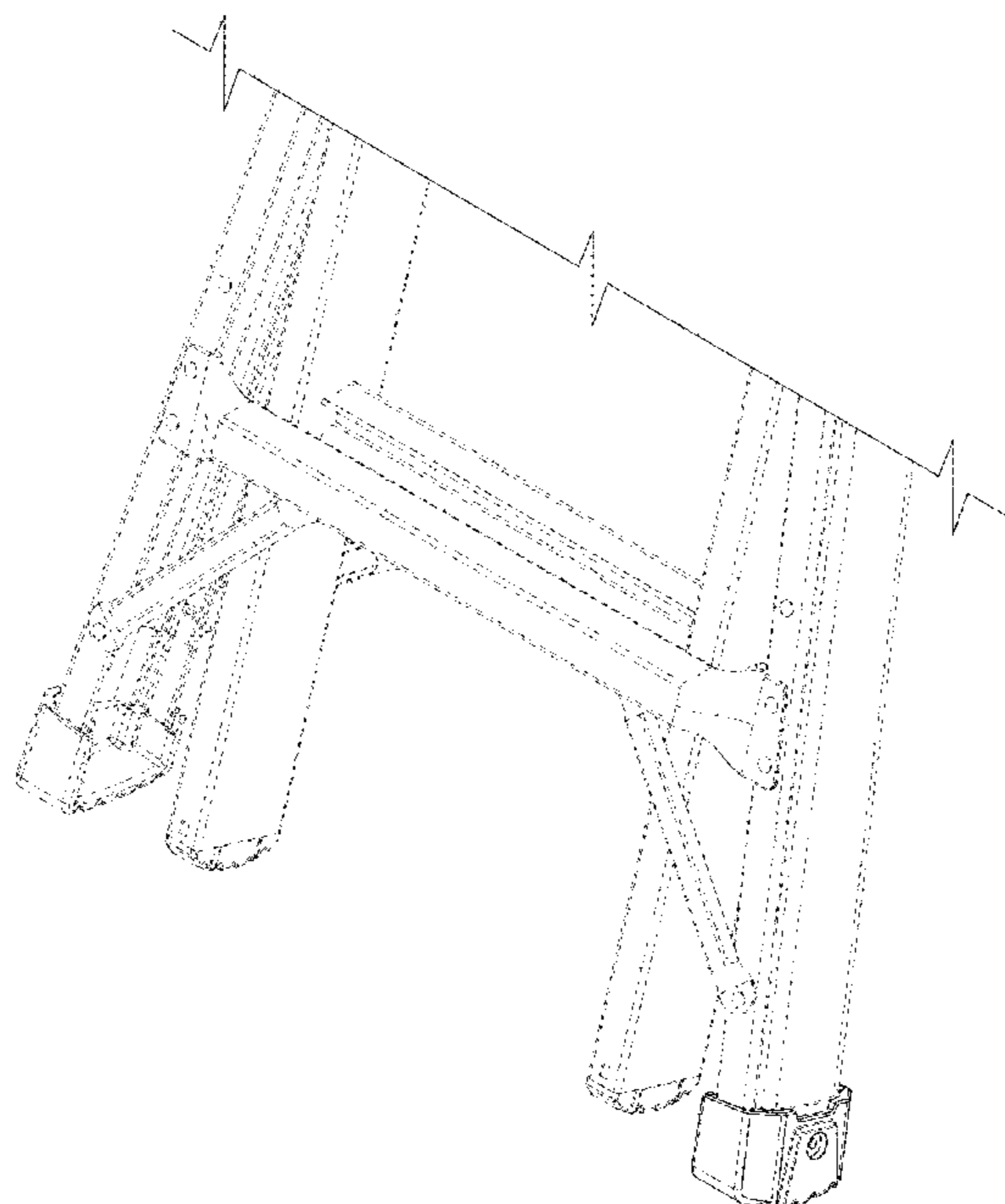
The ornamental design for a ladder foot, as shown and described.

DESCRIPTION

FIG. 1 is a front perspective view of a ladder foot showing our new design;
FIG. 2 is a back side elevational view thereof;
FIG. 3 is a left side elevational view thereof;
FIG. 4 is a front side devotional view thereof;
FIG. 5 is a right side elevational view thereof;
FIG. 6 is a top elevational view thereof;
FIG. 7 is a bottom elevational view thereof; and,
FIG. 8 is a perspective view thereof.

The broken lines shown in the figures are included for the purpose of illustrating portions of ladder and form no part of the claimed design.

1 Claim, 8 Drawing Sheets



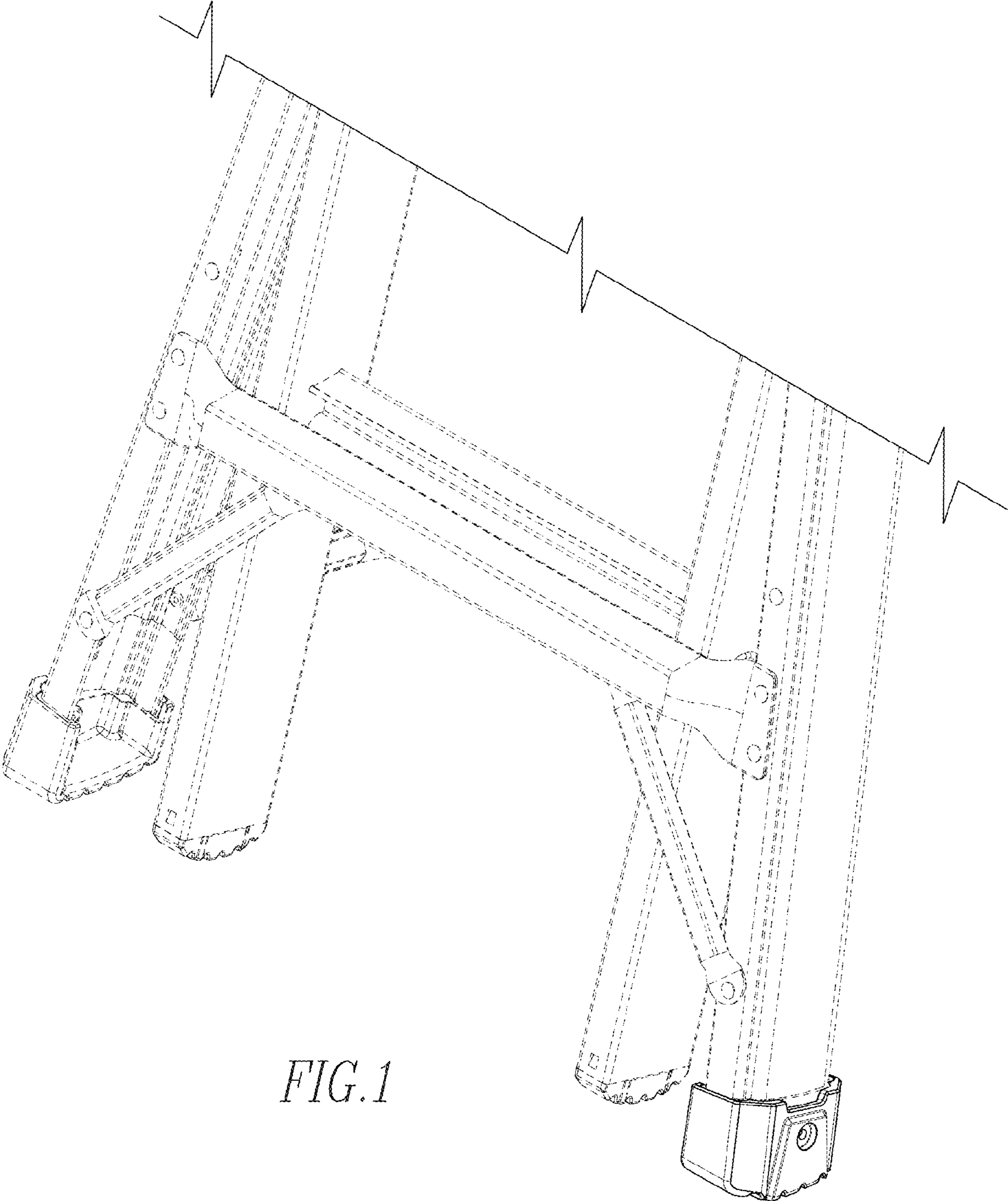


FIG. 1

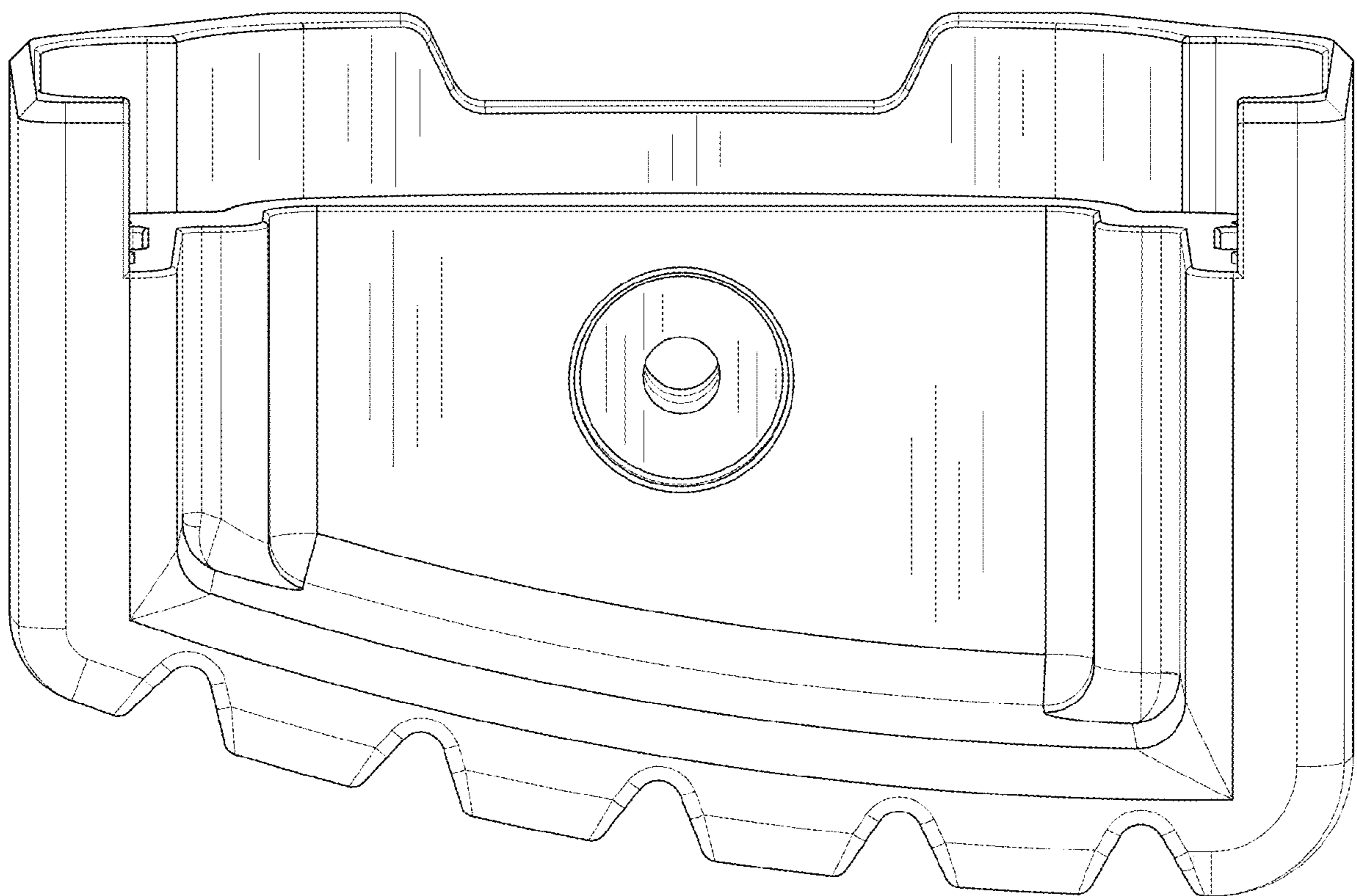


FIG. 2

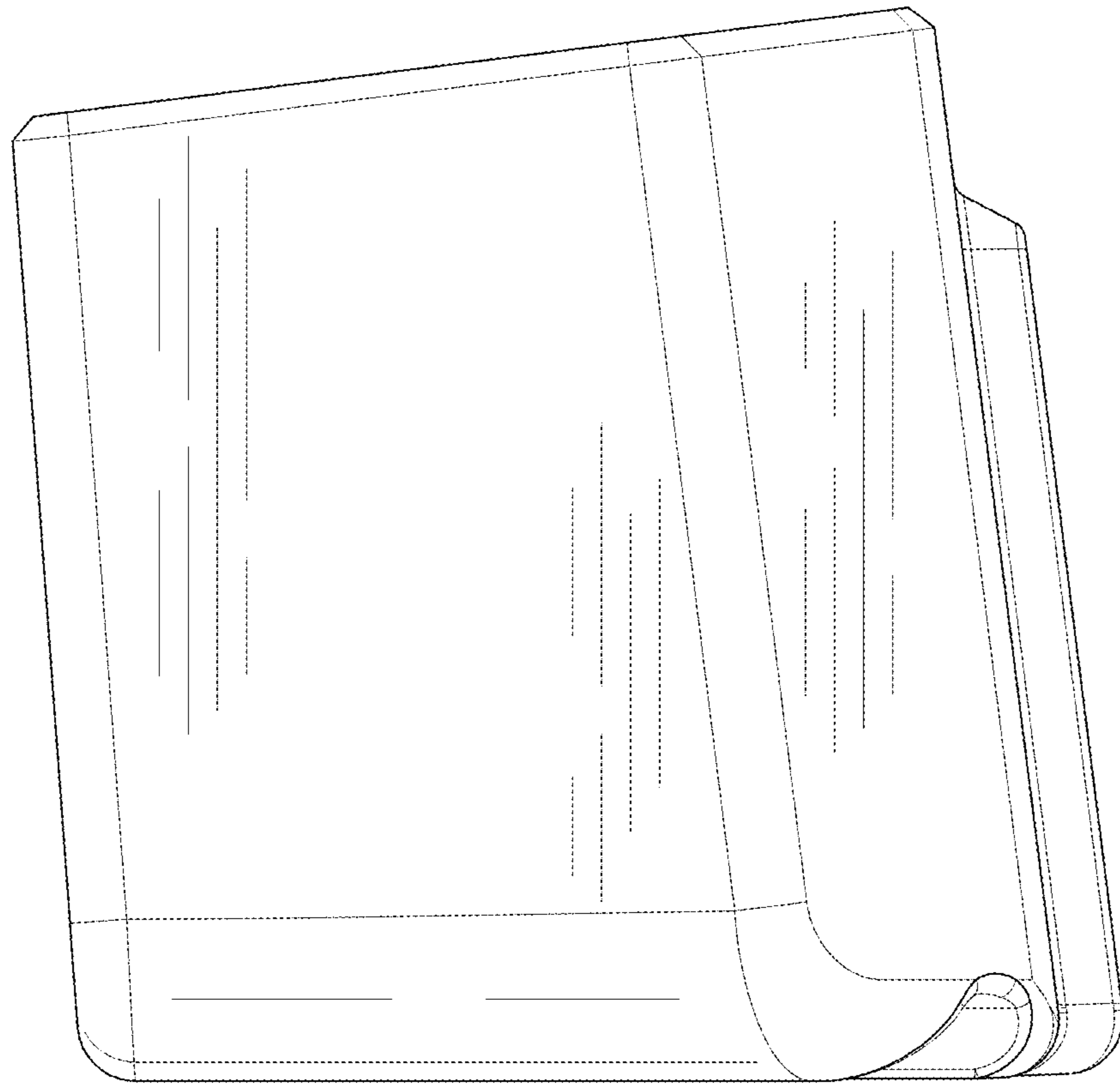


FIG. 3

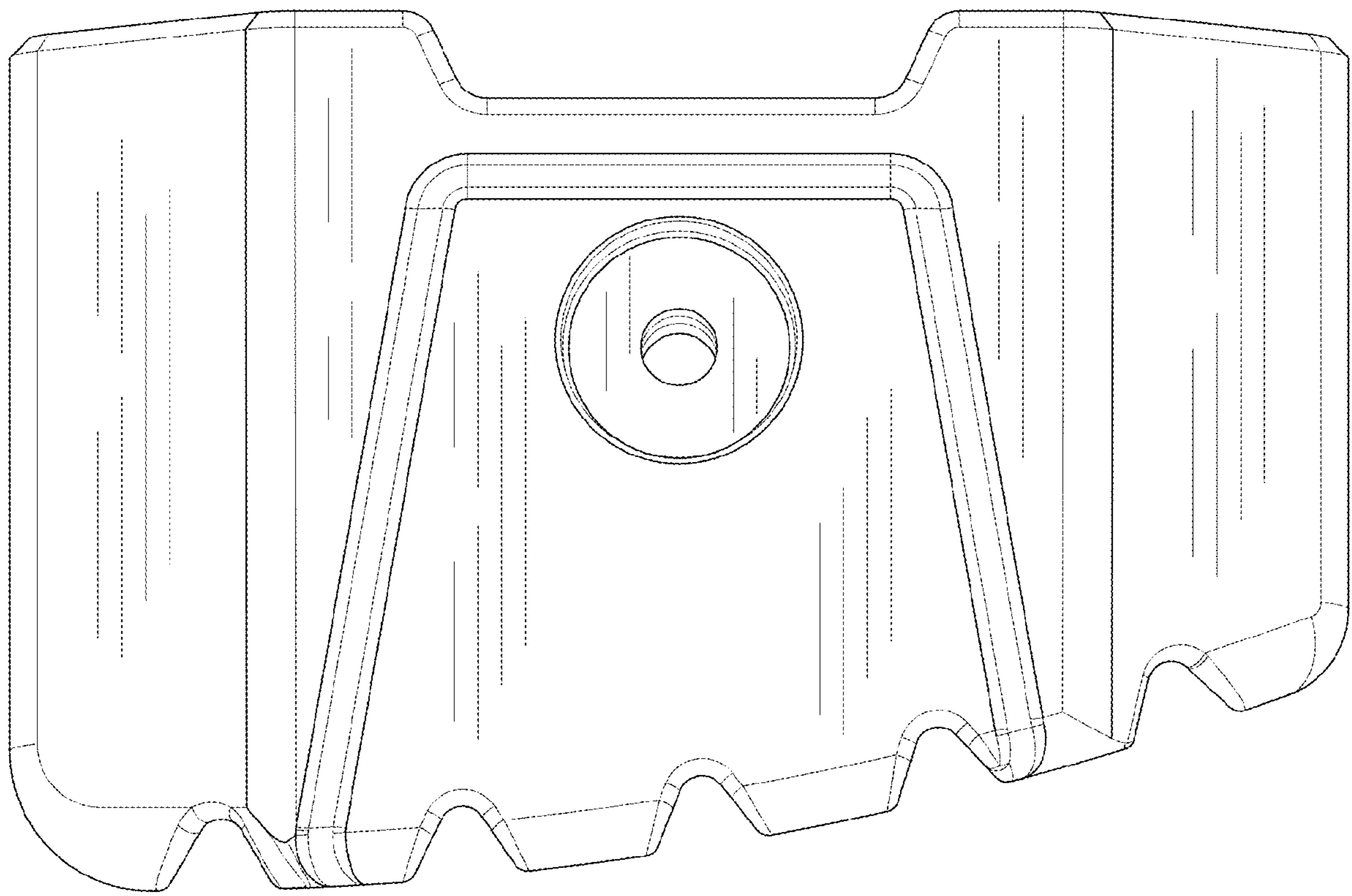


FIG. 4

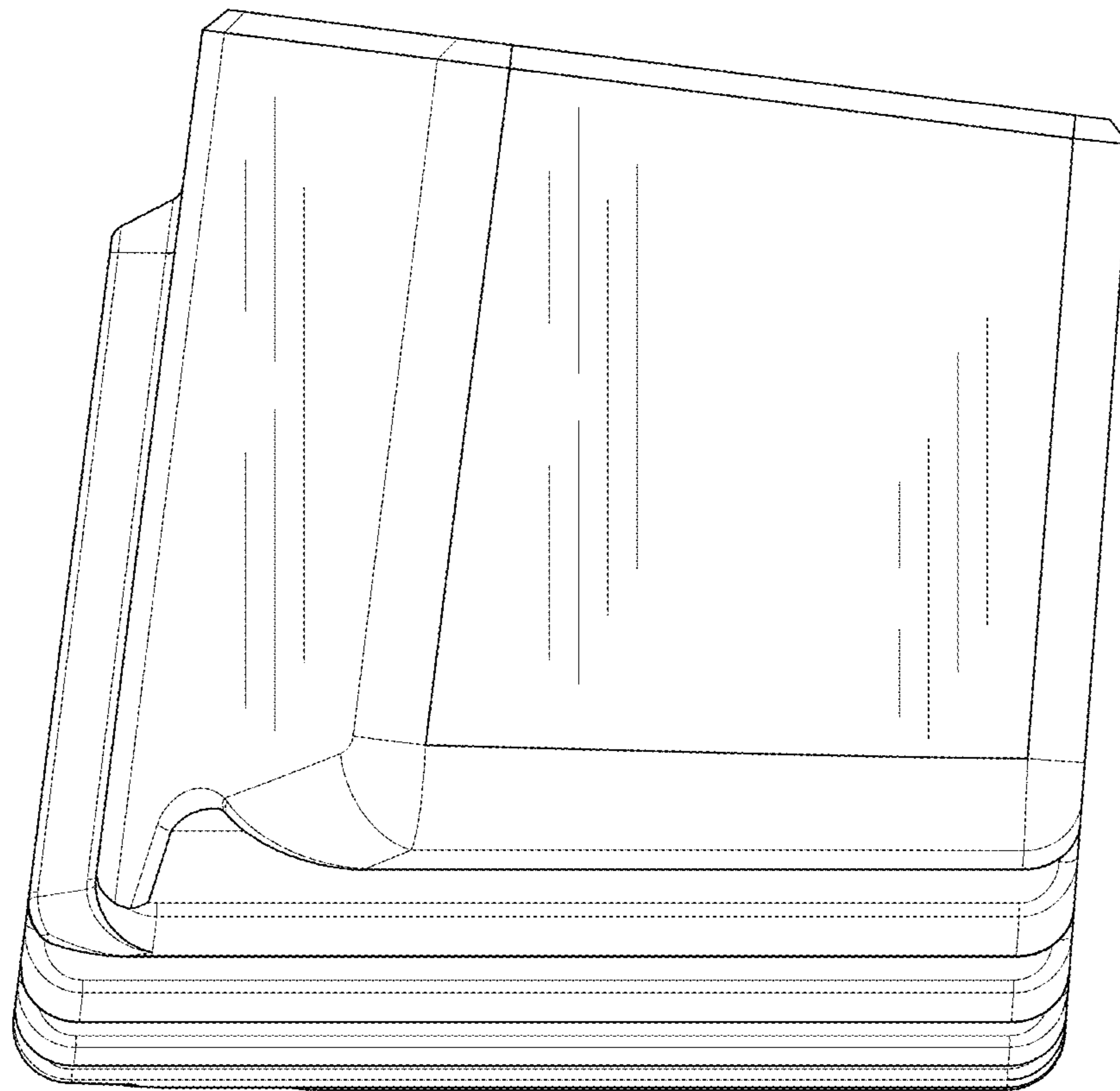


FIG. 5

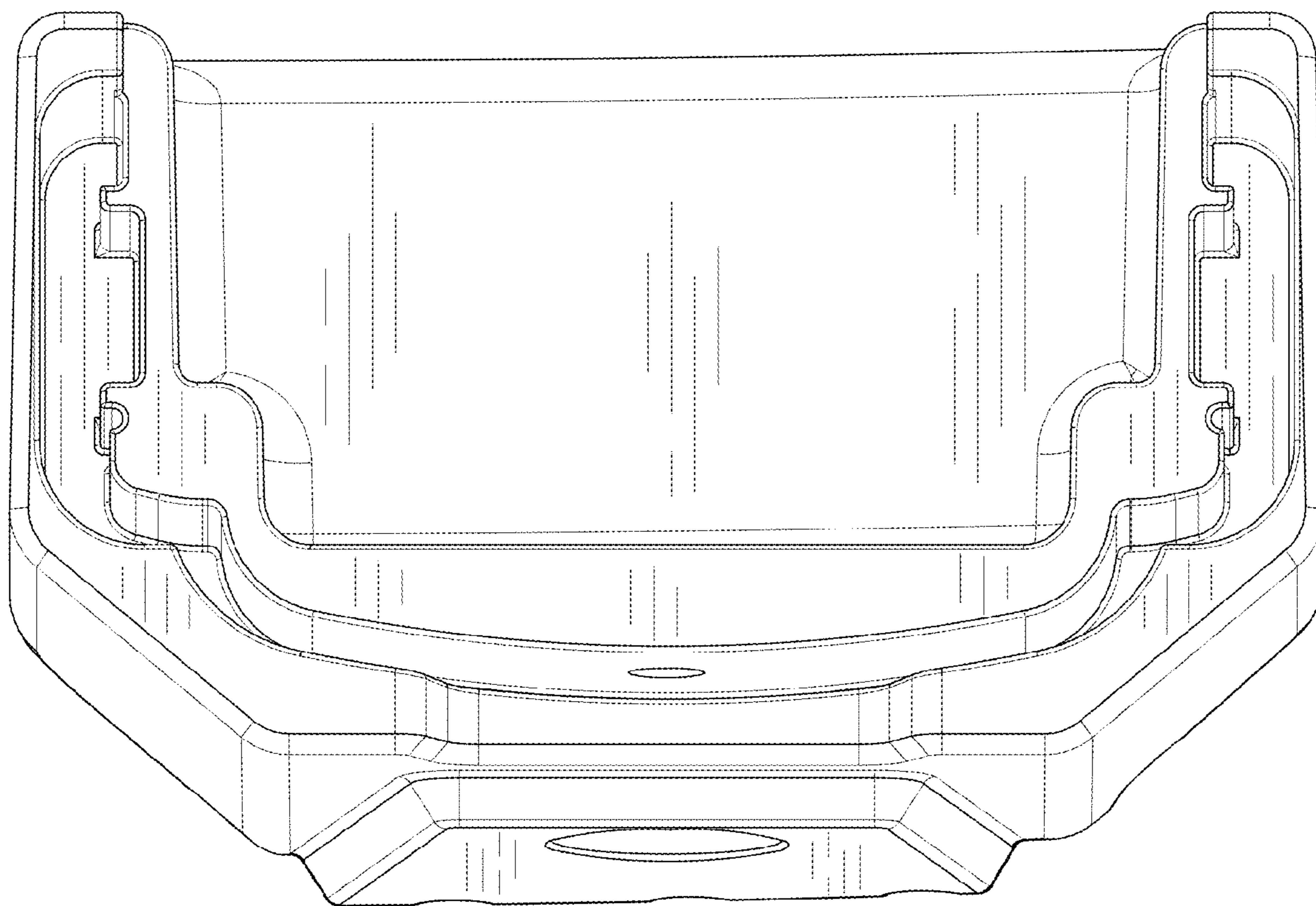


FIG. 6

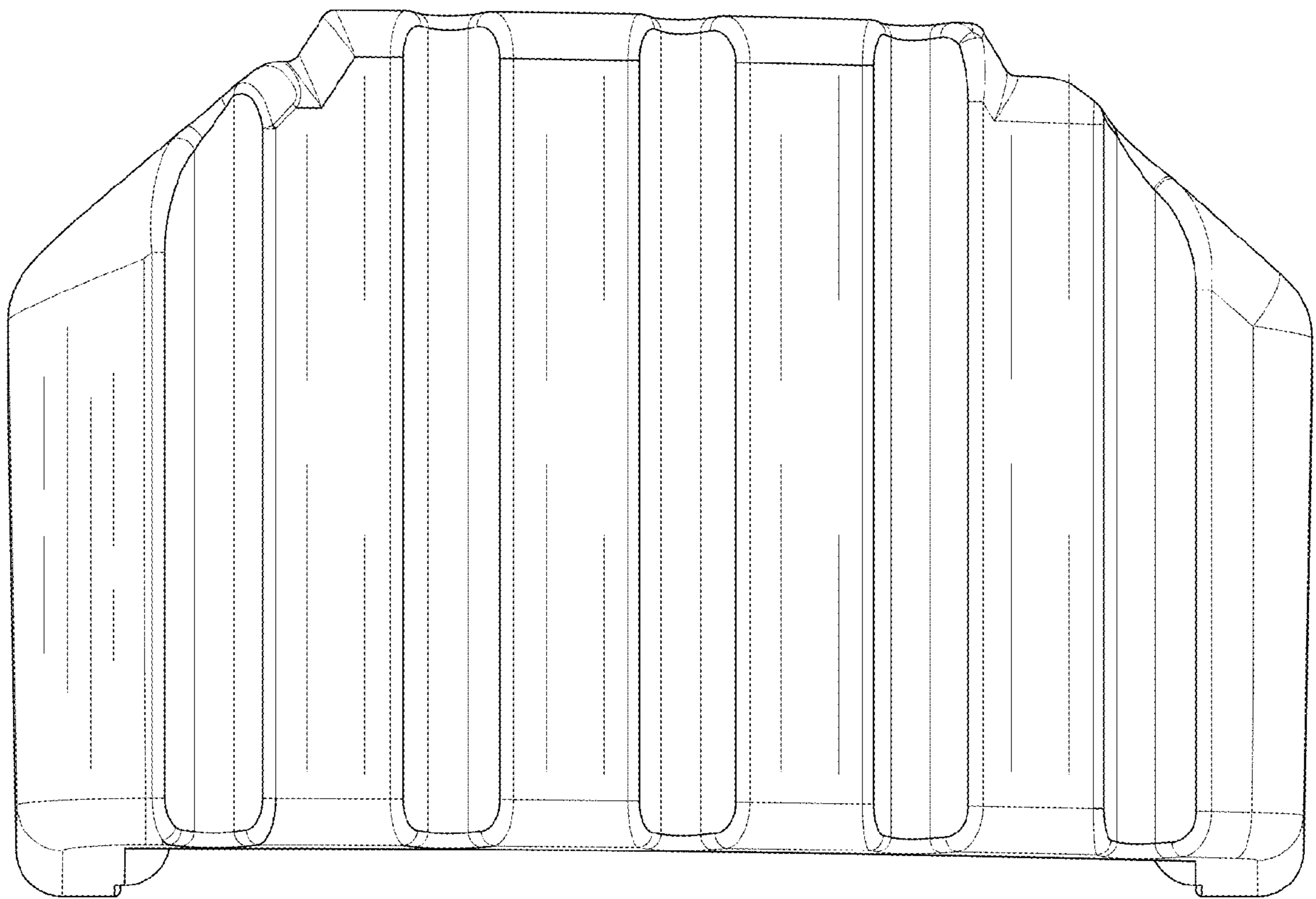


FIG. 7

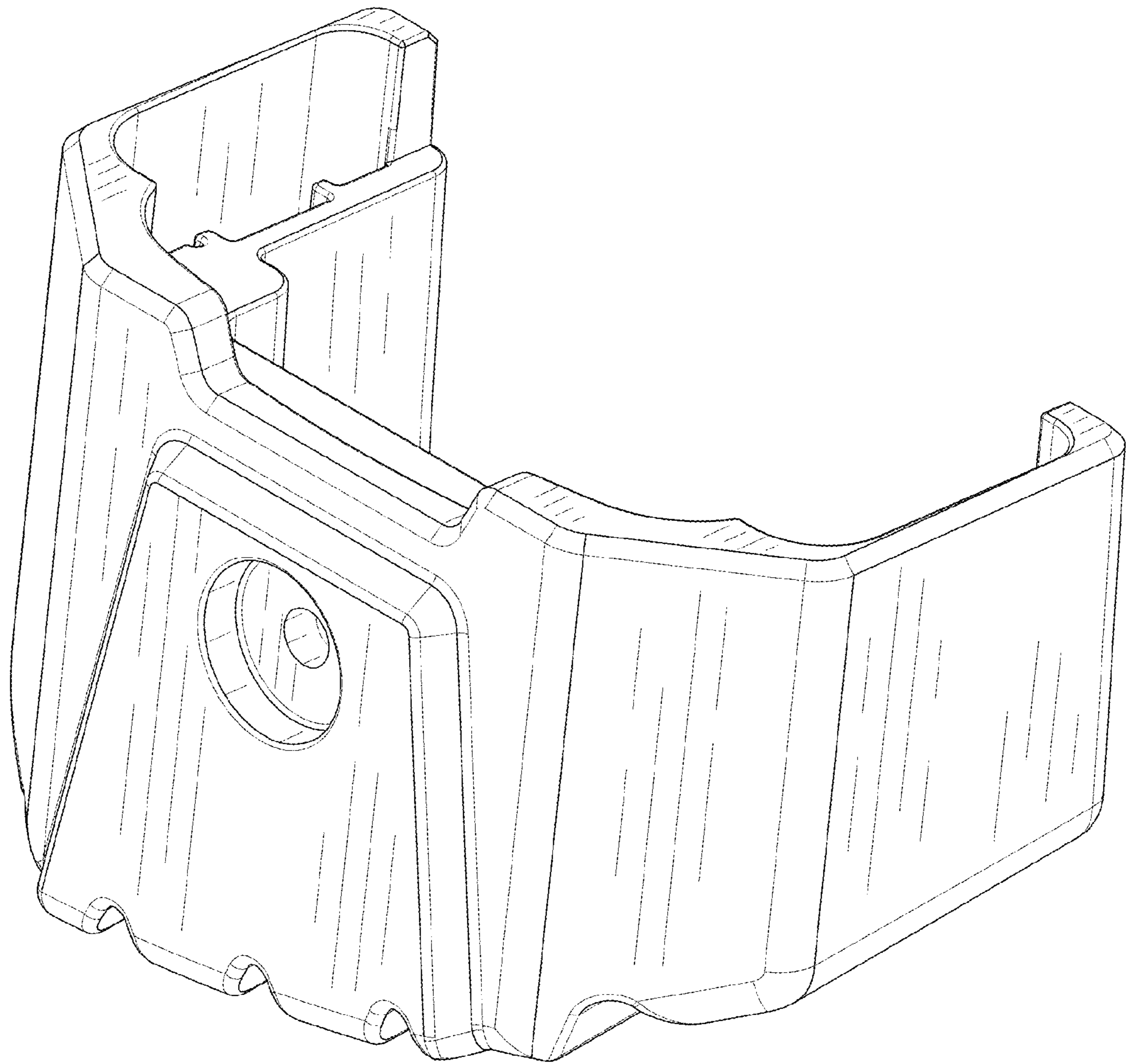


FIG. 8