



US00D916322S

(12) **United States Design Patent** (10) **Patent No.:** **US D916,322 S**  
**Miller et al.** (45) **Date of Patent:** **\*\* Apr. 13, 2021**

(54) **SOLAR PANEL FRAME MEMBER**

(71) Applicant: **ZampTech Sub LLC**, Bend, OR (US)

(72) Inventors: **Conor Miller**, Bend, OR (US); **Brian Butcher**, Bend, OR (US)

(73) Assignee: **ZAMPTECH SUB LLC**, Bend, OR (US)

(\*\*) Term: **15 Years**

(21) Appl. No.: **29/706,515**

(22) Filed: **Sep. 20, 2019**

(51) **LOC (13) Cl.** ..... **25-02**

(52) **U.S. Cl.**  
USPC ..... **D25/61**; D13/102

(58) **Field of Classification Search**  
USPC ..... D13/101, 102, 103, 106, 107, 110, 111, D13/112, 116, 118, 119, 121, 129, 133, D13/154, 155, 165, 199; D25/41.1, 61, D25/133, 119, 199

CPC ..... H01L 31/0475; H02S 30/10; F24S 25/33  
See application file for complete search history.

(56) **References Cited**

**U.S. PATENT DOCUMENTS**

D408,931 S *	4/1999	Ito	.....	D25/119
D455,841 S *	4/2002	Fisher	.....	D25/61
D573,268 S *	7/2008	Lundsgaard	.....	D25/119
D627,717 S *	11/2010	Munoz	.....	D13/102
D673,904 S *	1/2013	Kobayashi	.....	D13/102
D732,698 S *	6/2015	Meng	.....	D25/61
D831,855 S *	10/2018	Hynek	.....	D25/119
D853,954 S *	7/2019	McPheeters	.....	D13/102
D890,085 S *	7/2020	Baird	.....	D13/102
2015/0090678 A1 *	4/2015	Hsu	.....	H01L 31/0481 211/26
2015/0311606 A1 *	10/2015	Meine	.....	F16B 2/12 439/100
2020/0116191 A1 *	4/2020	Uppu	.....	F24S 25/61
2020/0350857 A1 *	11/2020	Schuit	.....	H02S 30/10

**OTHER PUBLICATIONS**

“Quick Rack Rail-Free Mounting System”. Found online Nov. 6, 2020 at youtube.com. Reference dated Dec. 11, 2014. Retrieved

from <https://www.youtube.com/watch?v=qTWNggqCZngg>. (Year: 2014).\*

“IronRidge Solar Rail”. Found online Nov. 6, 2020 at youtube.com. Reference dated Jul. 14, 2014. Retrieved from [https://www.youtube.com/watch?v=CuHiVoJjC-Q&feature=emb\\_logo](https://www.youtube.com/watch?v=CuHiVoJjC-Q&feature=emb_logo). (Year: 2014).\*

“Solar Panel Frame”. Found online Nov. 13, 2020 at alu-solarframe.com. Reference dated Jun. 7, 2014. Retrieved from [https://tineye.com/search/b0f562a868cb779dcd1cd5aa574c761d1efd274b?sort=crawl\\_date&order=asc&page=1](https://tineye.com/search/b0f562a868cb779dcd1cd5aa574c761d1efd274b?sort=crawl_date&order=asc&page=1). (Year: 2014).\*

\* cited by examiner

*Primary Examiner* — Kendra Leslie Hamilton

*Assistant Examiner* — Amanda Christensen

(74) *Attorney, Agent, or Firm* — Shackelford, Bowen, McKinley & Norton, LLP

(57) **CLAIM**

The ornamental design for a solar panel frame member, as shown and described.

**DESCRIPTION**

FIG. 1 is a top, front, right side perspective view of a solar panel frame member, showing our new design;

FIG. 2 is a bottom, front, right side perspective view thereof;

FIG. 3 is a left side elevation view thereof; and

FIG. 4 is right side elevation view thereof;

FIG. 5 is a front elevation view thereof;

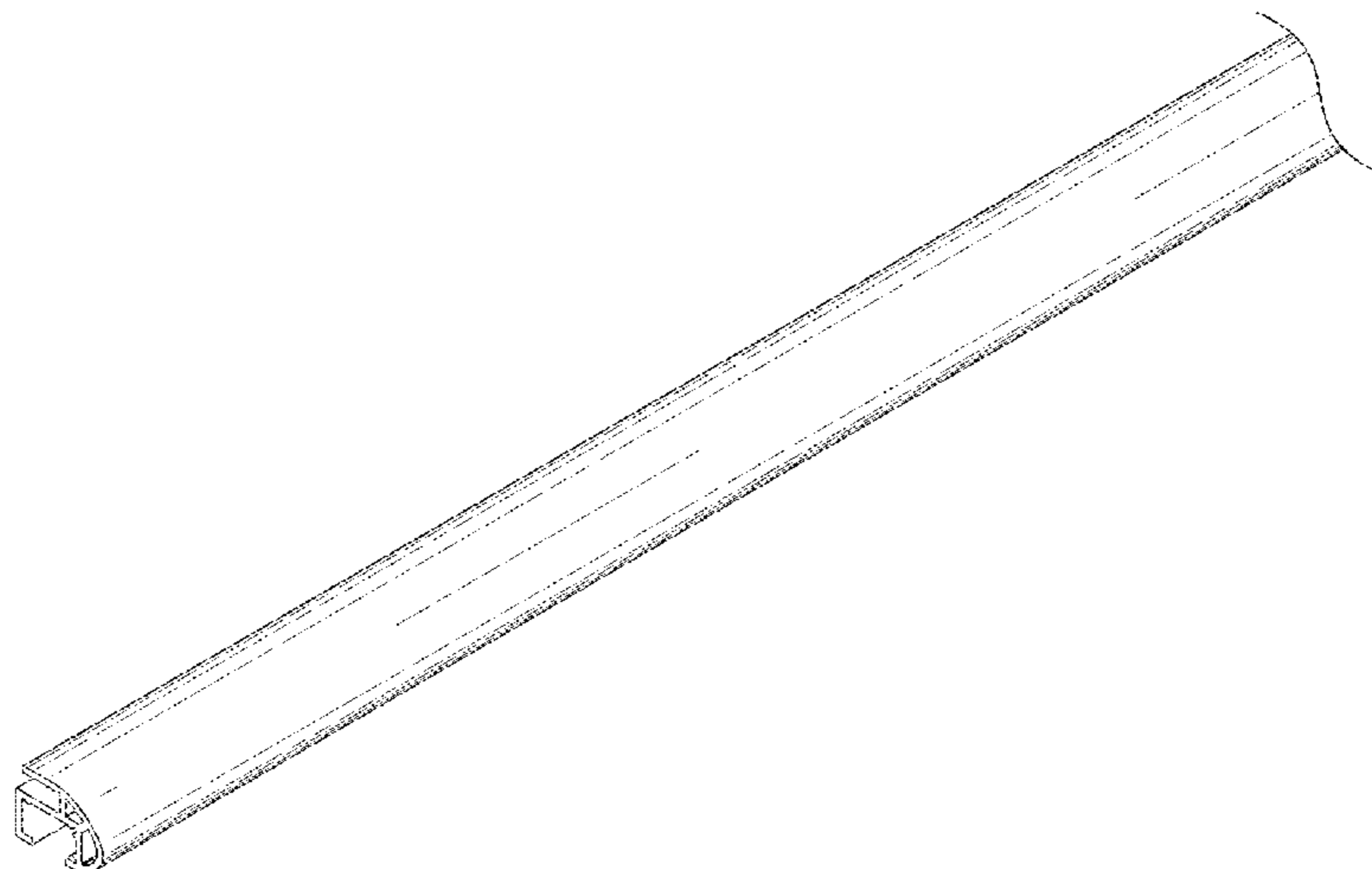
FIG. 6 is a rear elevation view thereof;

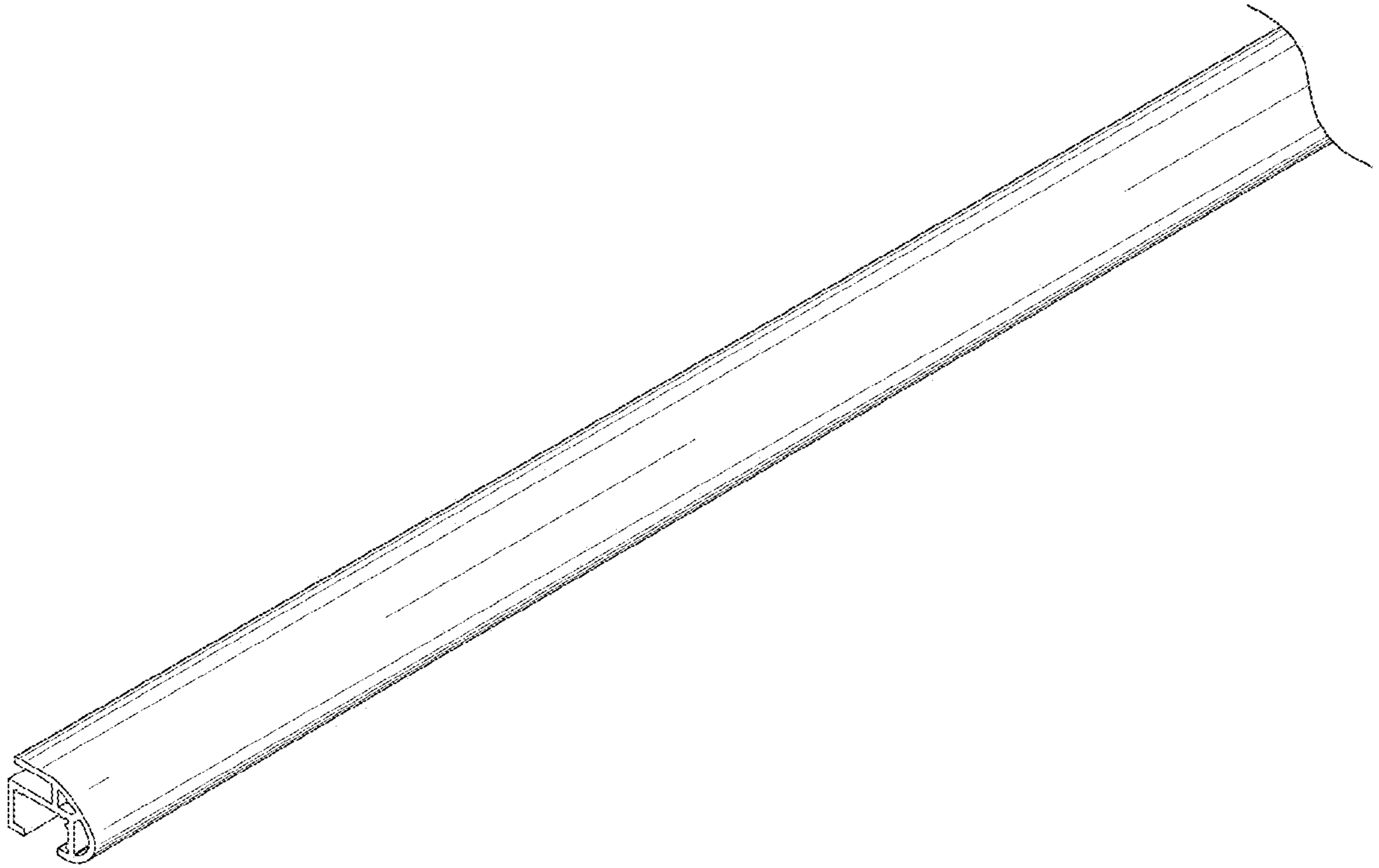
FIG. 7 is a top plan view thereof; and,

FIG. 8 is a bottom plan view thereof.

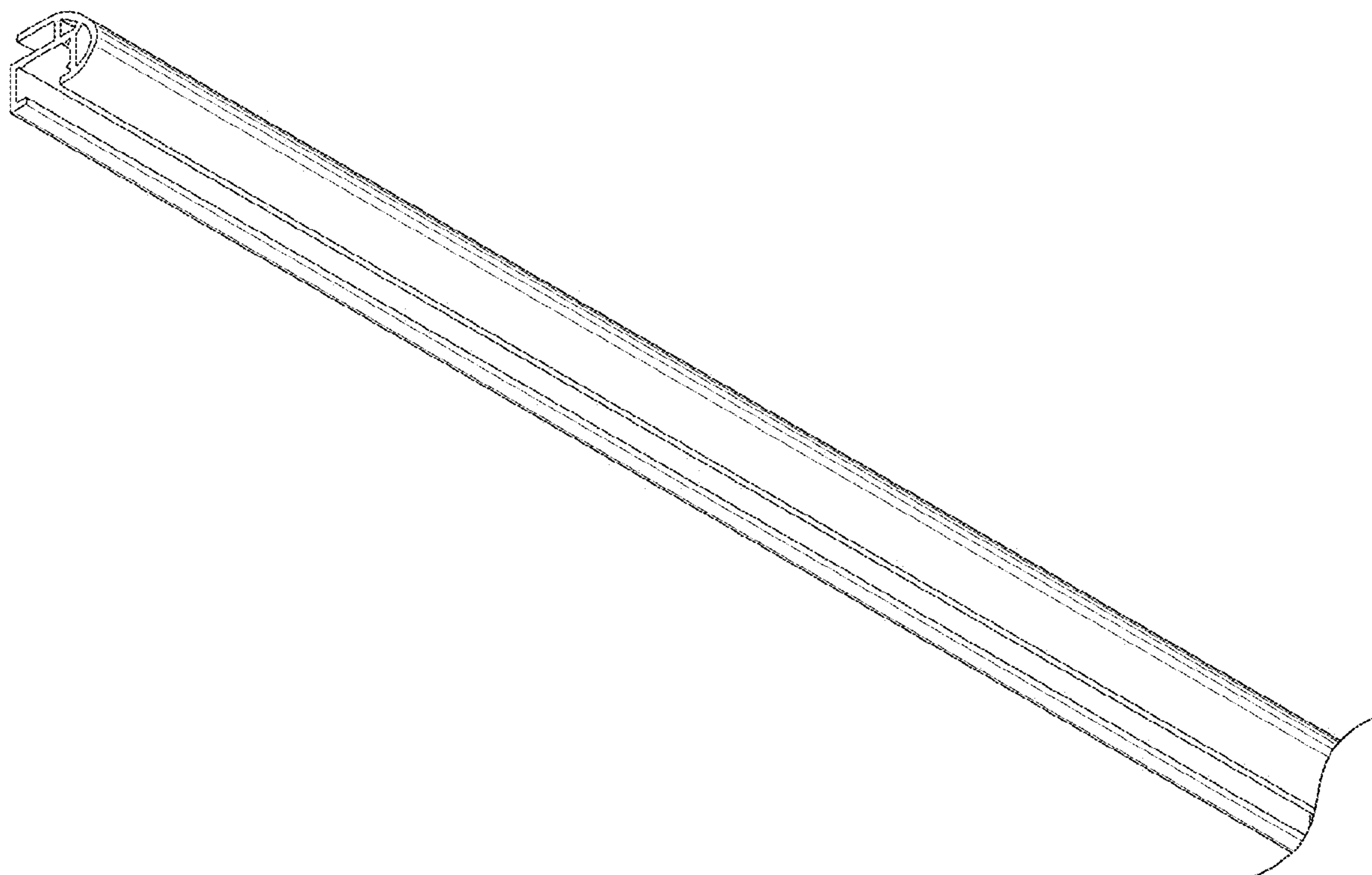
The solar panel frame member is shown with a symbolic break, in the form of a wavy line, at the rear side. This symbolic break defines the boundaries of the claim.

**1 Claim, 5 Drawing Sheets**

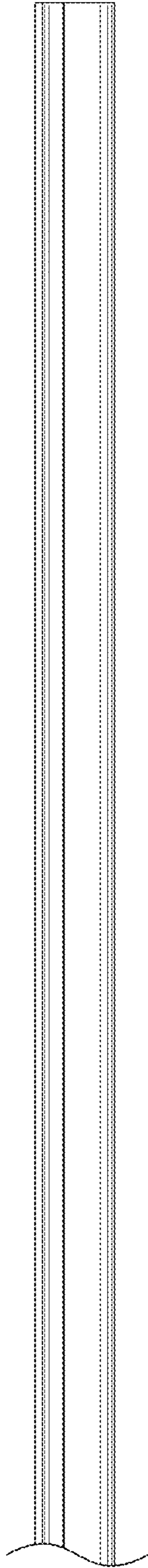




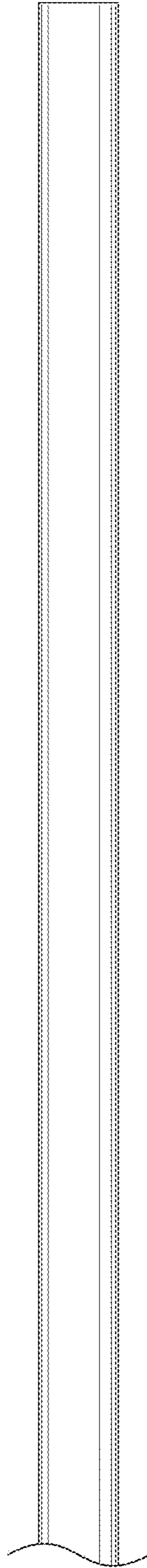
**FIG. 1**



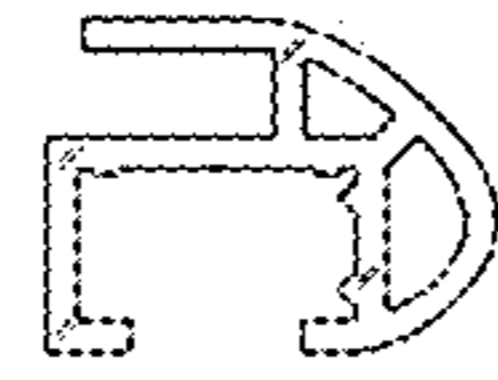
**FIG. 2**



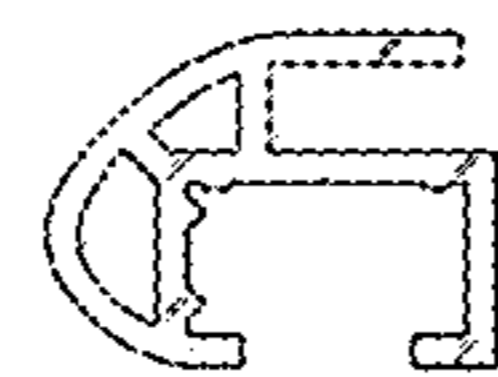
**FIG. 3**



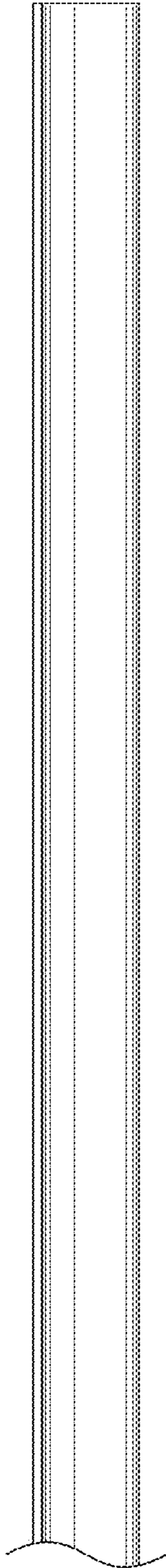
**FIG. 4**



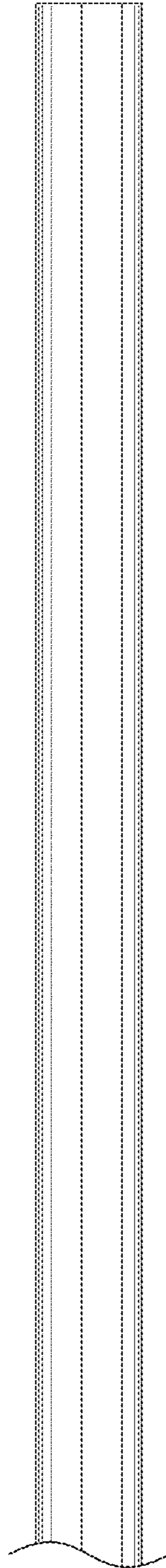
**FIG. 5**



**FIG. 6**



**FIG. 7**



**FIG. 8**