

US00D916321S

(12) **United States Design Patent** (10) **Patent No.:** **US D916,321 S**
Mcduff et al. (45) **Date of Patent:** **** Apr. 13, 2021**

(54) **JAMB LINER**
(71) Applicant: **FENESTRATION SOLUTIONS AUSTRALIA PTY LTD**, Chelsea Heights Vic (AU)
(72) Inventors: **Shane Hedley Mcduff**, Chelsea Heights Vic (AU); **Yuri Dolgikh**, Chelsea Heights Vic (AU); **David John Ackland**, Chelsea Heights Vic (AU)
(73) Assignee: **FENESTRATION SOLUTIONS AUSTRALIA PTY LTD**, Chelsea Heights (AU)
(**) Term: **15 Years**
(21) Appl. No.: **29/677,305**
(22) Filed: **Jan. 18, 2019**
(30) **Foreign Application Priority Data**

Jul. 18, 2018 (AU) 201814275

(51) **LOC (13) Cl.** **25-01**
(52) **U.S. Cl.**
USPC **D25/61**

(58) **Field of Classification Search**
USPC ... D25/48.7, 55, 60, 61, 119-125, 126, 128, D25/164, 199
CPC E05D 13/00; E05D 13/006; E05D 13/10; E05Y 2900/148
See application file for complete search history.

(56) **References Cited**

U.S. PATENT DOCUMENTS

D299,969 S * 2/1989 Hardy D25/124
D408,088 S * 4/1999 Hart D25/124
D408,563 S * 4/1999 Hart D25/124
D417,737 S * 12/1999 Stansfield D25/121

6,260,321 B1 * 7/2001 Rudduck E06B 1/045 52/474
D600,829 S * 9/2009 Munakata D25/126
D600,830 S * 9/2009 Munakata D25/126
D635,692 S * 4/2011 Wirthgen D25/119
D788,947 S * 6/2017 Gilkey D25/125
D834,217 S * 11/2018 Lee D25/124
2020/0018105 A1 * 1/2020 McDuff E05D 15/22

OTHER PUBLICATIONS

EVO®-Jambliner-DHS-Brochure http://www.fsa-us.com.au/downloads/window-systems/FSA_MEGA_Jambliner_Full_WEB.pdf Uploaded Apr. 9, 2020 (Year: 2020).*
FSA_MEGA_Jambliner_Full_WEB <http://www.fsa-us.com.au/wp-content/uploads/2020/04/EVO%C2%AE-Jambliner-DHS-Brochure.pdf> Last Modified Aug. 28, 2013 (Year: 2013).*

* cited by examiner

Primary Examiner — Leanne Was-Englehart
(74) *Attorney, Agent, or Firm* — Scully, Scott, Murphy & Presser, P.C.

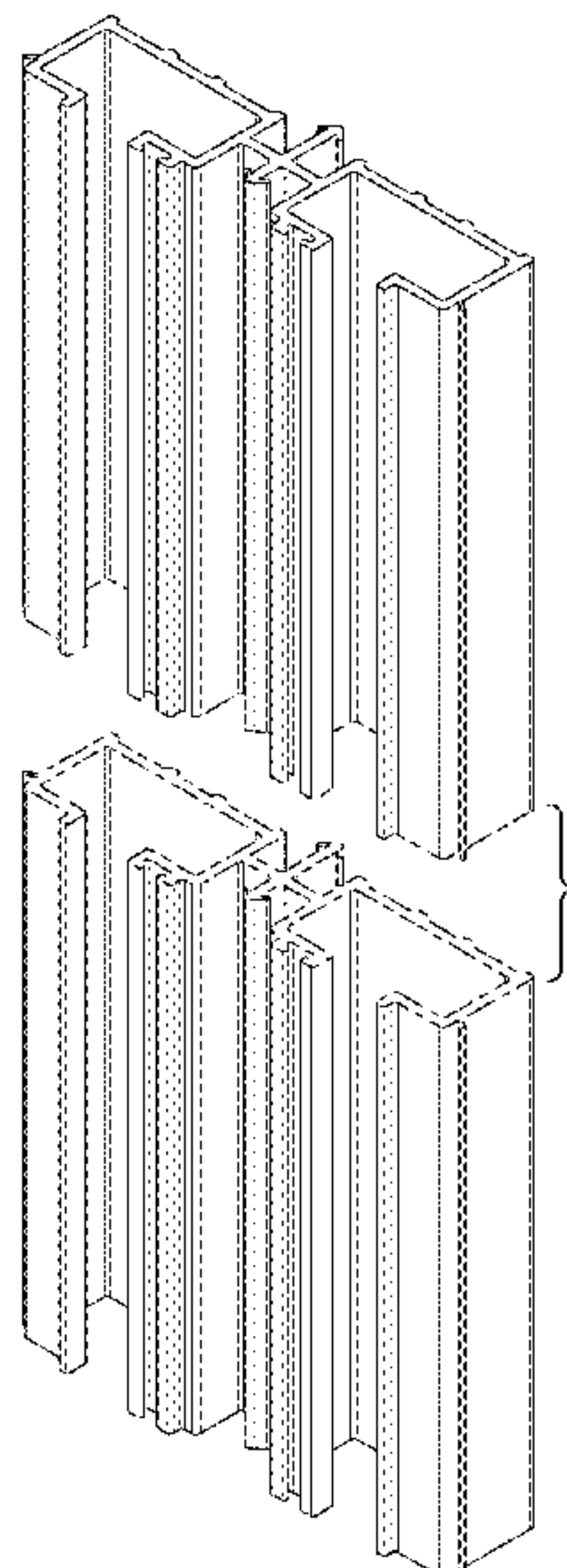
(57) **CLAIM**

The ornamental design for a jamb liner, as shown and described.

DESCRIPTION

FIG. 1 is a front perspective view of a jamb liner showing our new design;
FIG. 2 is a rear perspective view thereof;
FIG. 3 is a rear elevation view thereof;
FIG. 4 is a front elevation view thereof;
FIG. 5 is a top plan view thereof; and,
FIG. 6 is a bottom plan view thereof.
The drawings contain a symbolic break. The portion between the break lines forms no part of the claimed design. The broken lines as shown in FIGS. 1-4 depict boundary lines that form no part of the claimed design.

1 Claim, 6 Drawing Sheets



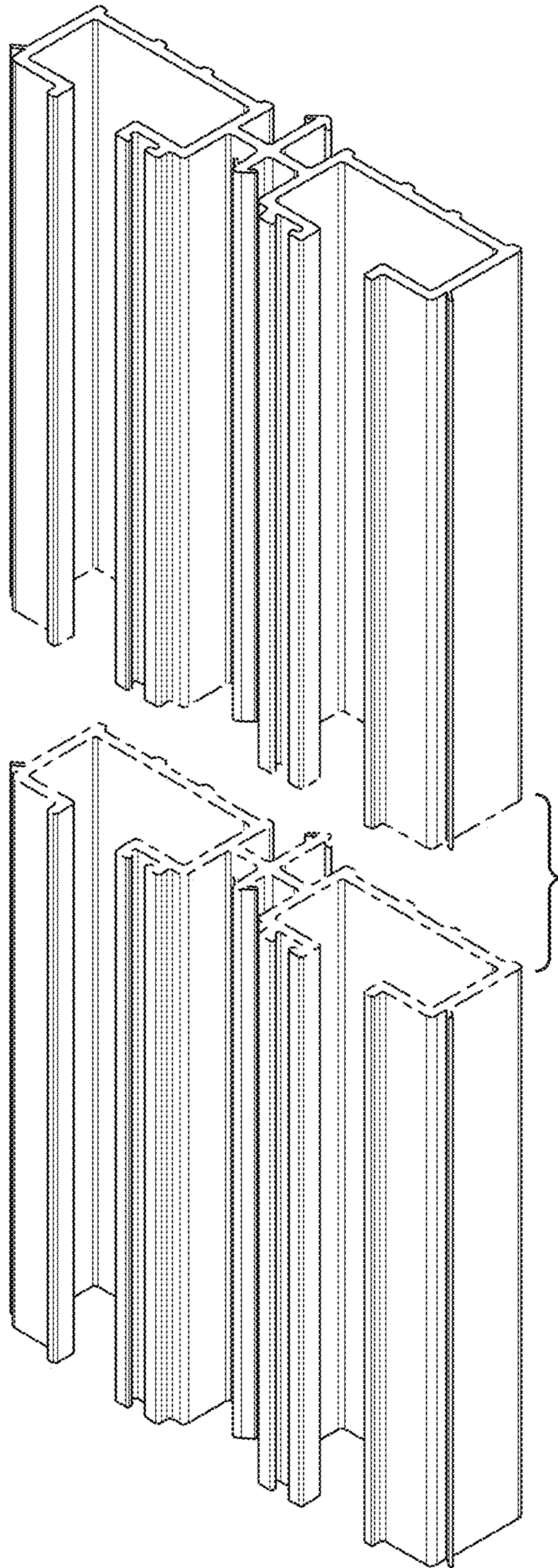


FIG. 1

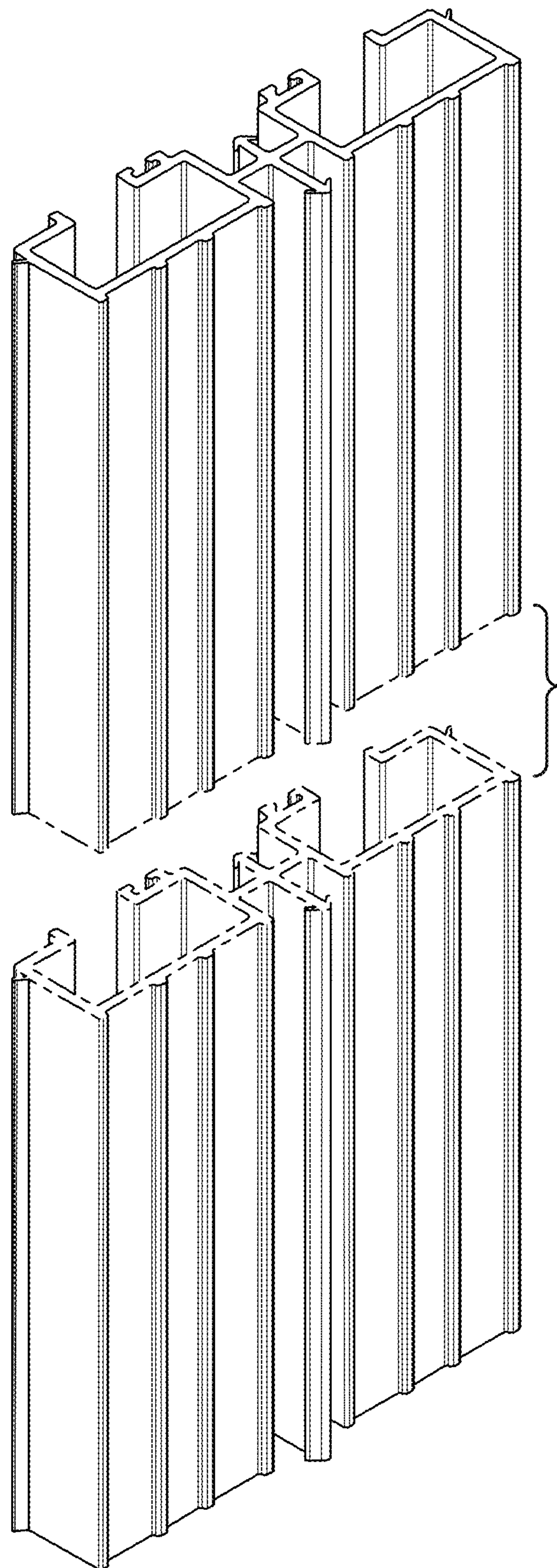


FIG. 2

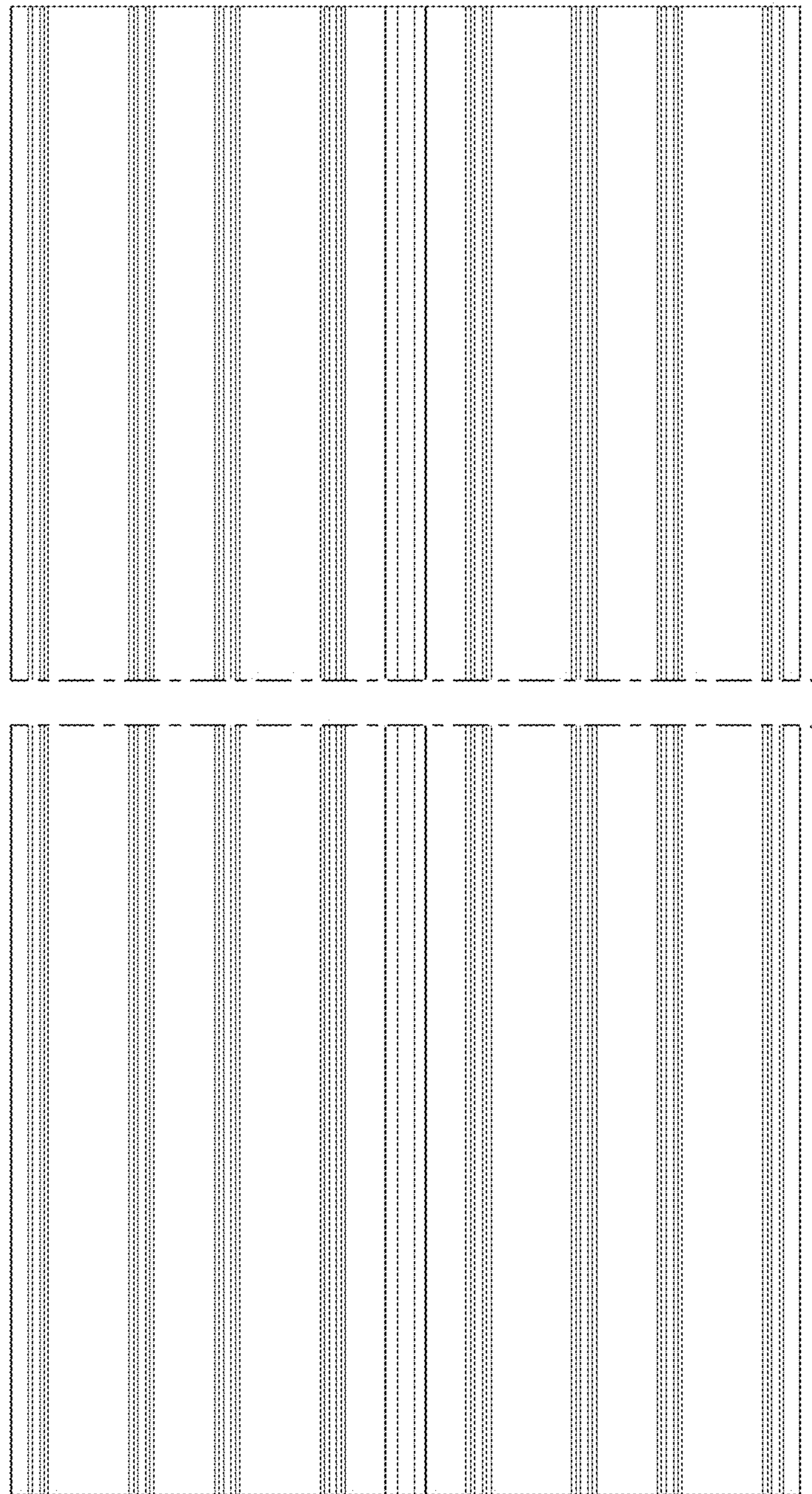


FIG. 3

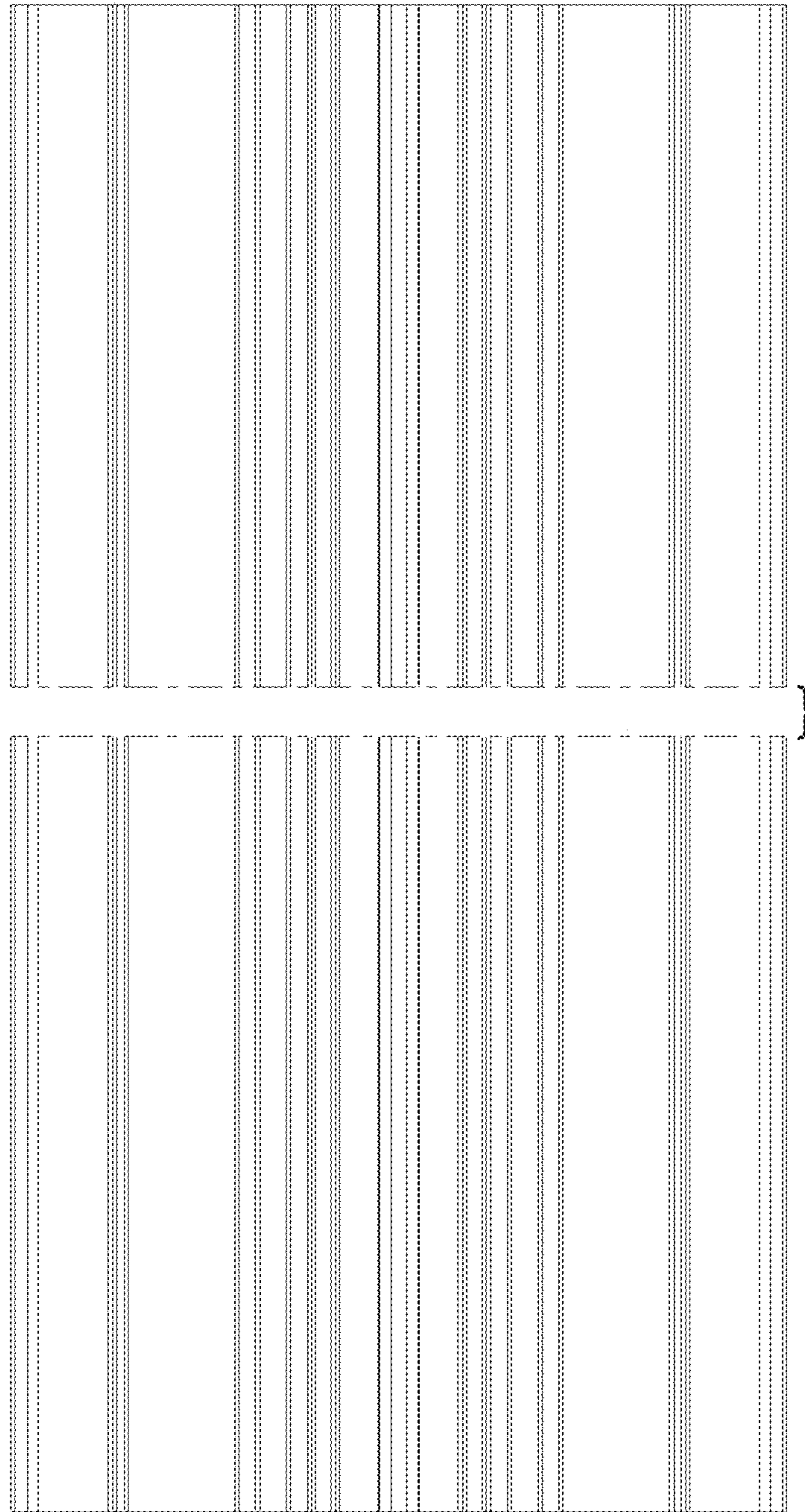


FIG. 4

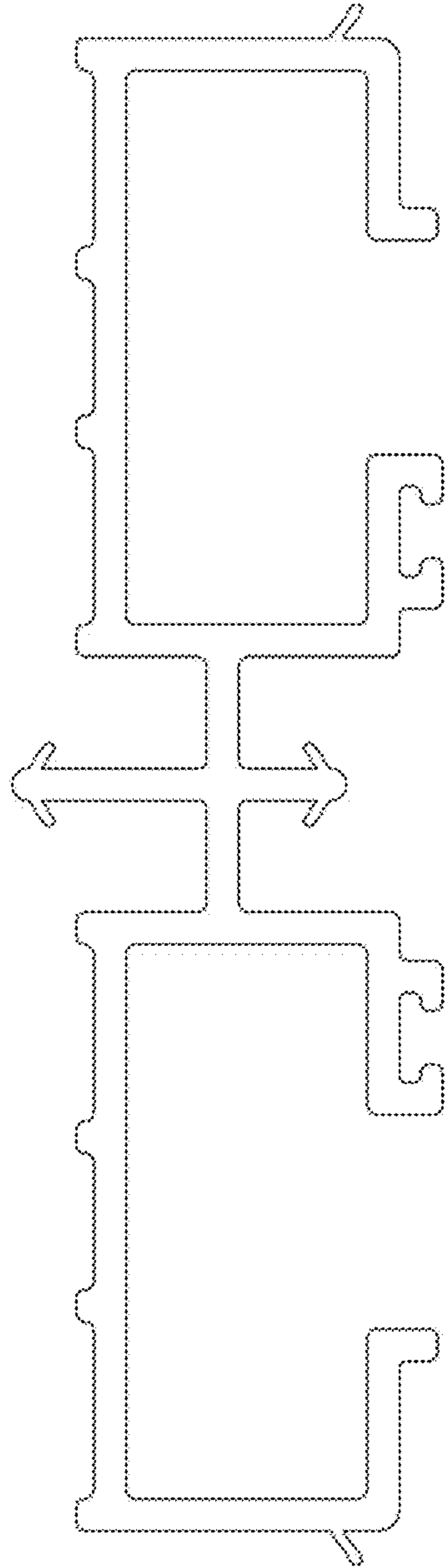


FIG. 5

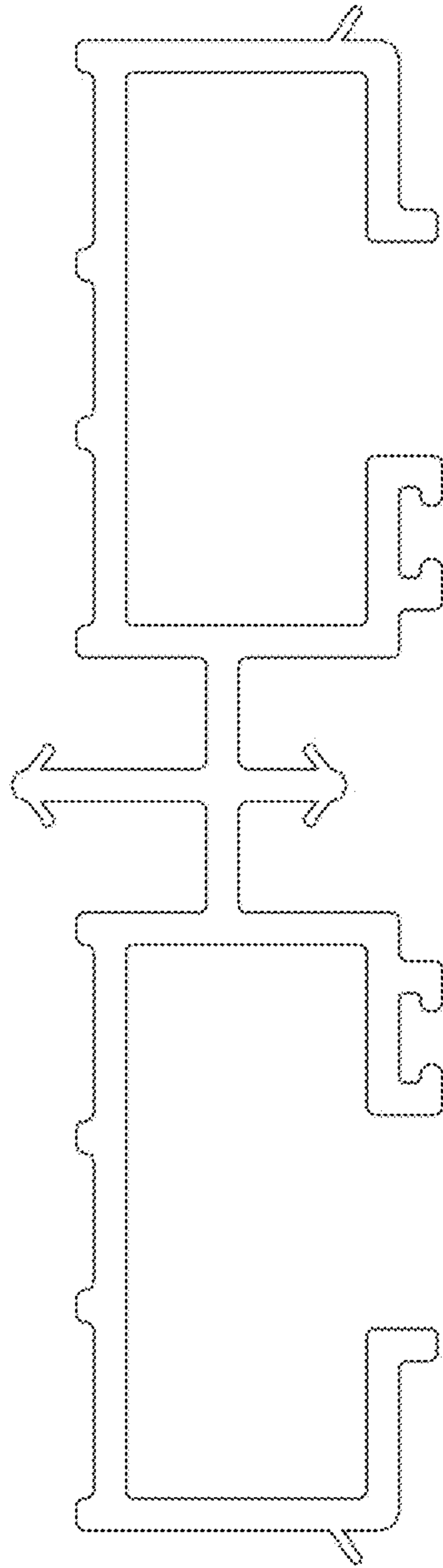


FIG. 6