



US00D916320S

(12) **United States Design Patent**
Jolley et al.

(10) **Patent No.:** **US D916,320 S**

(45) **Date of Patent:** **** Apr. 13, 2021**

(54) **SLIDING CONCEALMENT PANEL**

CN 303845180 * 9/2016
EM 001474803-0001 * 2/2020

(71) Applicant: **B/E Aerospace, Inc.**, Winston-Salem, NC (US)

* cited by examiner

(72) Inventors: **Richard H. Jolley**, Addington (GB);
Hsin-I Tsai, Newport Pagnell (GB)

Primary Examiner — Leanne Was-Englehart

(74) *Attorney, Agent, or Firm* — Suiter Swantz pc llo

(73) Assignee: **B/E Aerospace, Inc.**, Winston-Salem, NC (US)

(57) **CLAIM**

The ornamental design for a sliding concealment panel, as shown and described.

(**) Term: **15 Years**

(21) Appl. No.: **29/692,403**

DESCRIPTION

(22) Filed: **May 24, 2019**

(51) **LOC (13) Cl.** **25-02**

(52) **U.S. Cl.**
USPC **D25/58**; D12/195

(58) **Field of Classification Search**
USPC D12/190, 193, 195, 196, 414; D25/48.1,
D25/48.3, 55, 58, 60, 61, 138
CPC B64C 1/10; B64C 1/14; B64C 1/1438;
B64D 11/0606; E06B 3/46; E06B 3/4636
See application file for complete search history.

FIG. 1 is a perspective view of a sliding concealment panel in an open position;
FIG. 2 is a perspective view of the sliding concealment panel of FIG. 1 in a closed position;
FIG. 3 is a top plan view of the sliding concealment panel of FIG. 1 in the open position;
FIG. 4 is a top plan view of the sliding concealment panel of FIG. 1 in the closed position;
FIG. 5 is a front elevation view of the sliding concealment panel of FIG. 1 in the open position;
FIG. 6 is a front elevation of the sliding concealment panel of FIG. 1 in the closed position;
FIG. 7 is a left side elevation view of the sliding concealment panel of FIG. 1;
FIG. 8 is a rear elevation view of the sliding concealment panel of FIG. 1 in the open position;
FIG. 9 is a rear elevation of the sliding concealment panel of FIG. 1 in the closed position;
FIG. 10 is a right side elevation view of the sliding concealment panel of FIG. 1;
FIG. 11 is a bottom plan view of the sliding concealment panel of FIG. 1 in the open position; and,
FIG. 12 is a bottom plan view of the sliding concealment panel of FIG. 1 in the closed position.
Portions of FIGS. 1 through 12 are shown in broken lines illustrating portions of the article of manufacture that form no part of the claimed design.

(56) **References Cited**

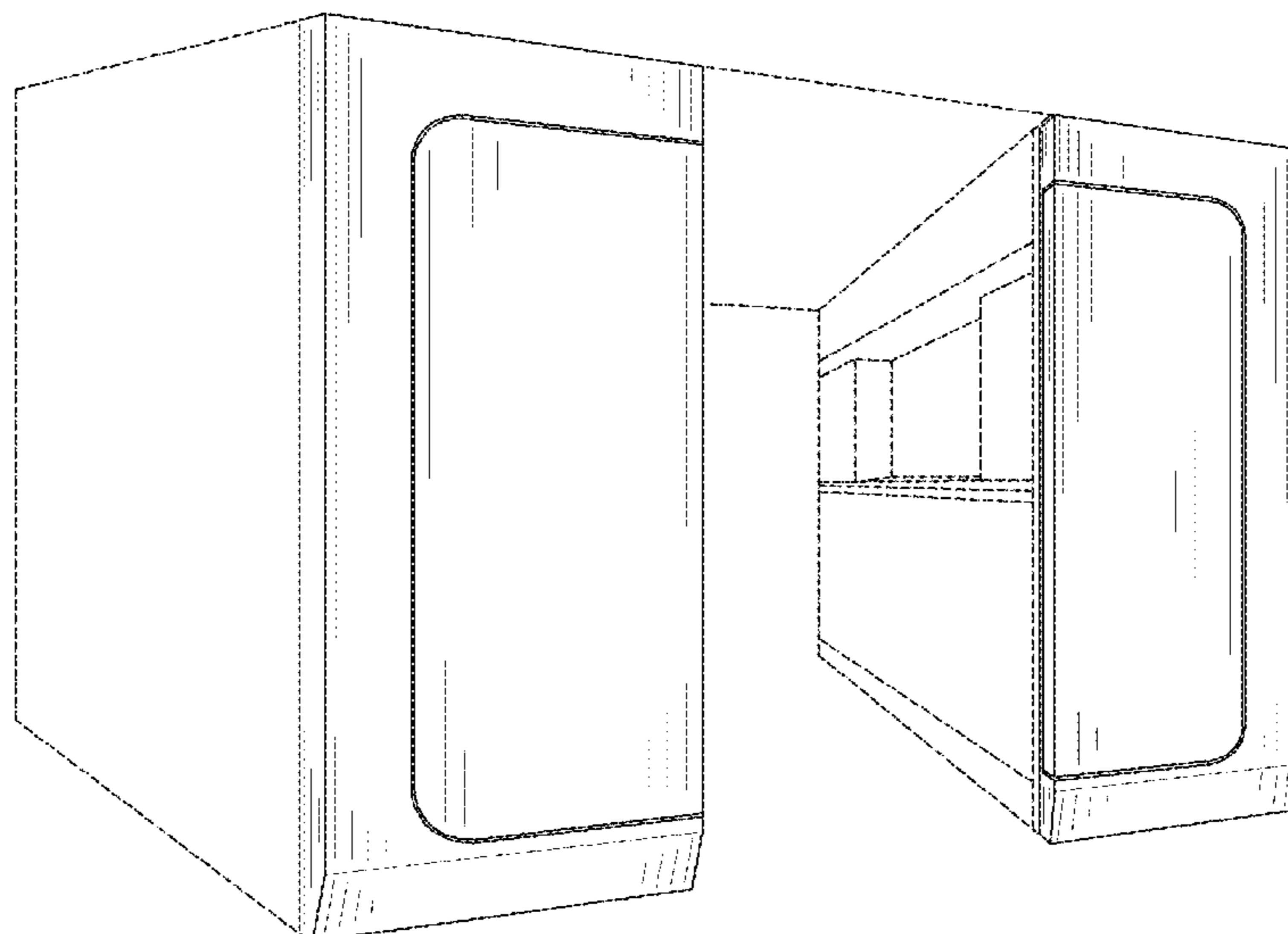
U.S. PATENT DOCUMENTS

- 3,693,293 A * 9/1972 Egan, Jr. E06B 3/4636 49/56
- D531,712 S * 11/2006 Loggen D23/305
- D766,790 S * 9/2016 Sethapun D12/195
- D805,655 S * 12/2017 Balas D25/48.3
- 9,920,559 B2 * 3/2018 Druckman E05D 15/0656
- 10,562,633 B2 * 2/2020 Kuyper B64D 11/0606
- D897,561 S * 9/2020 Grobe D25/59
- 2013/0111835 A1 * 5/2013 Harter B64D 11/0023 52/238.1

FOREIGN PATENT DOCUMENTS

- CN 301825638 * 2/2012
- CN 301833174 * 2/2012

1 Claim, 12 Drawing Sheets



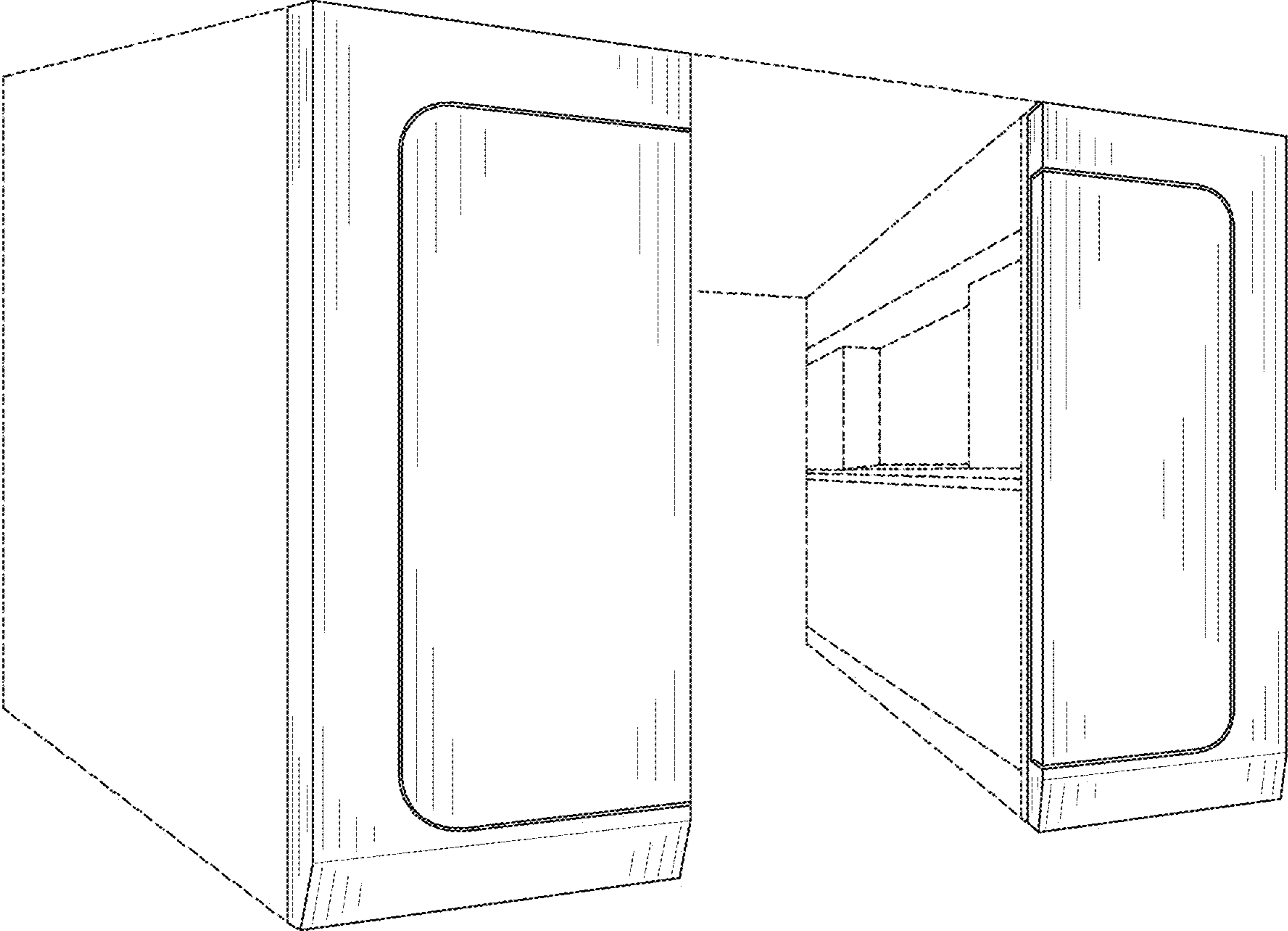


FIG. 1

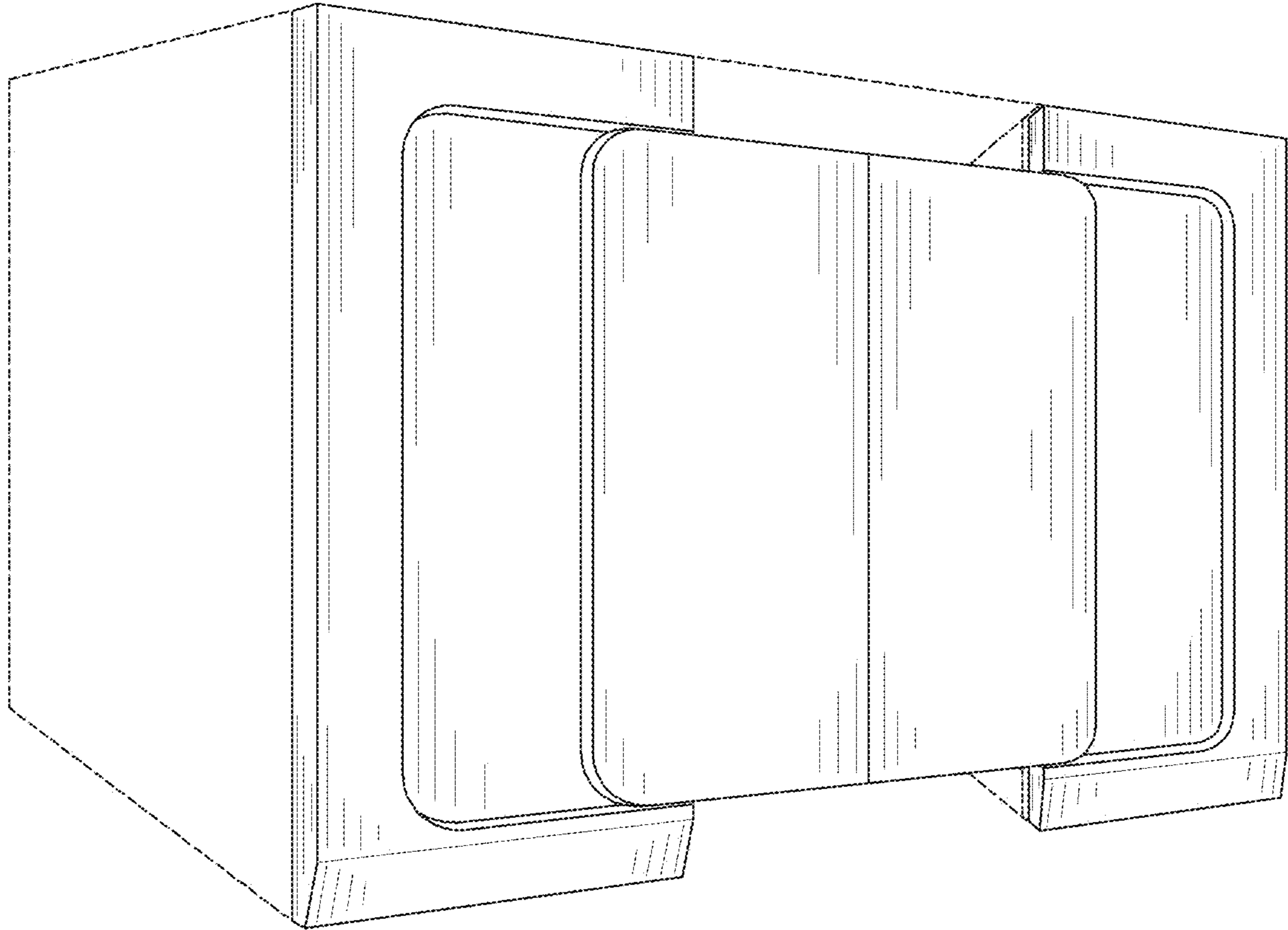


FIG. 2

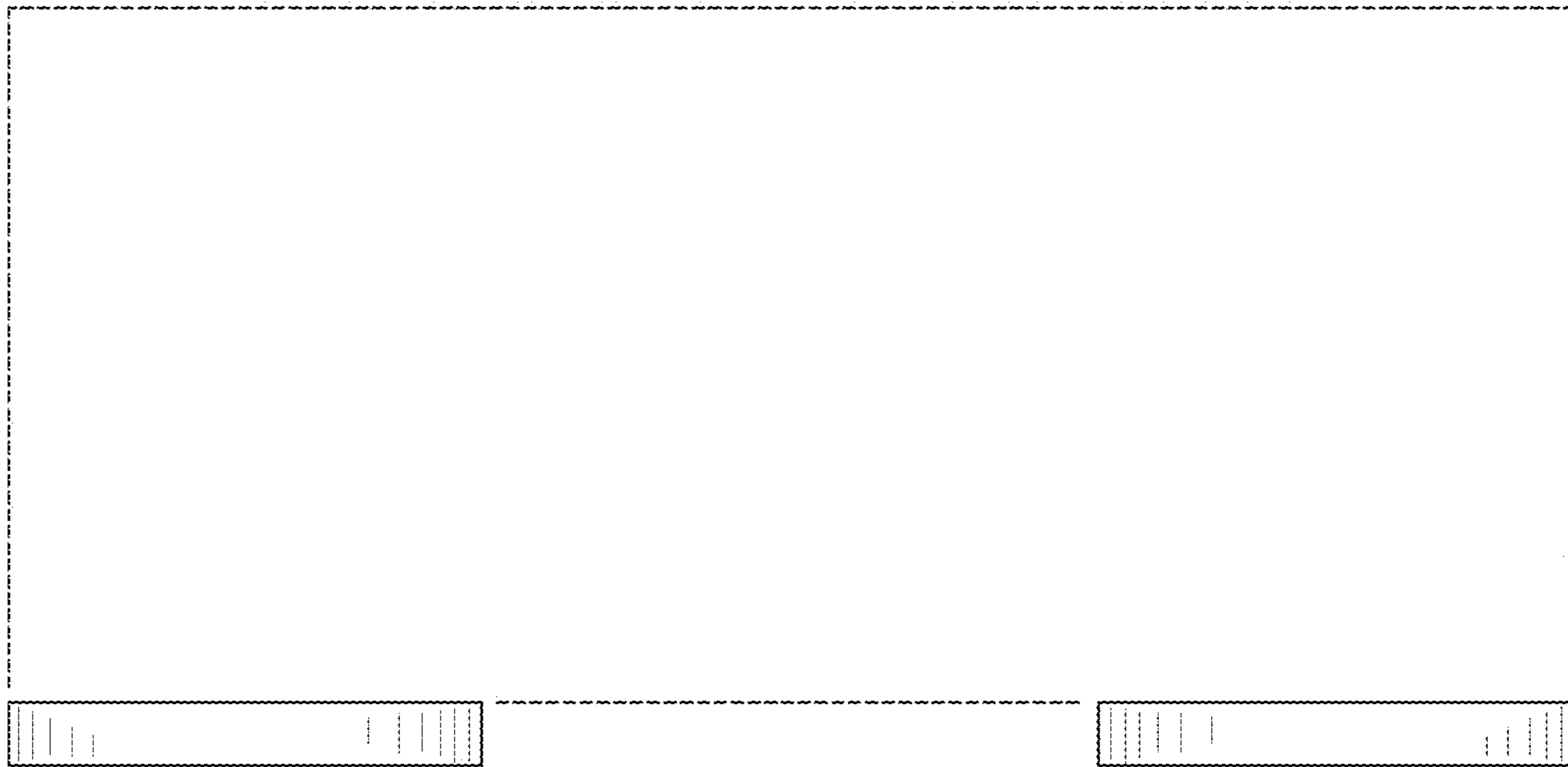


FIG. 3

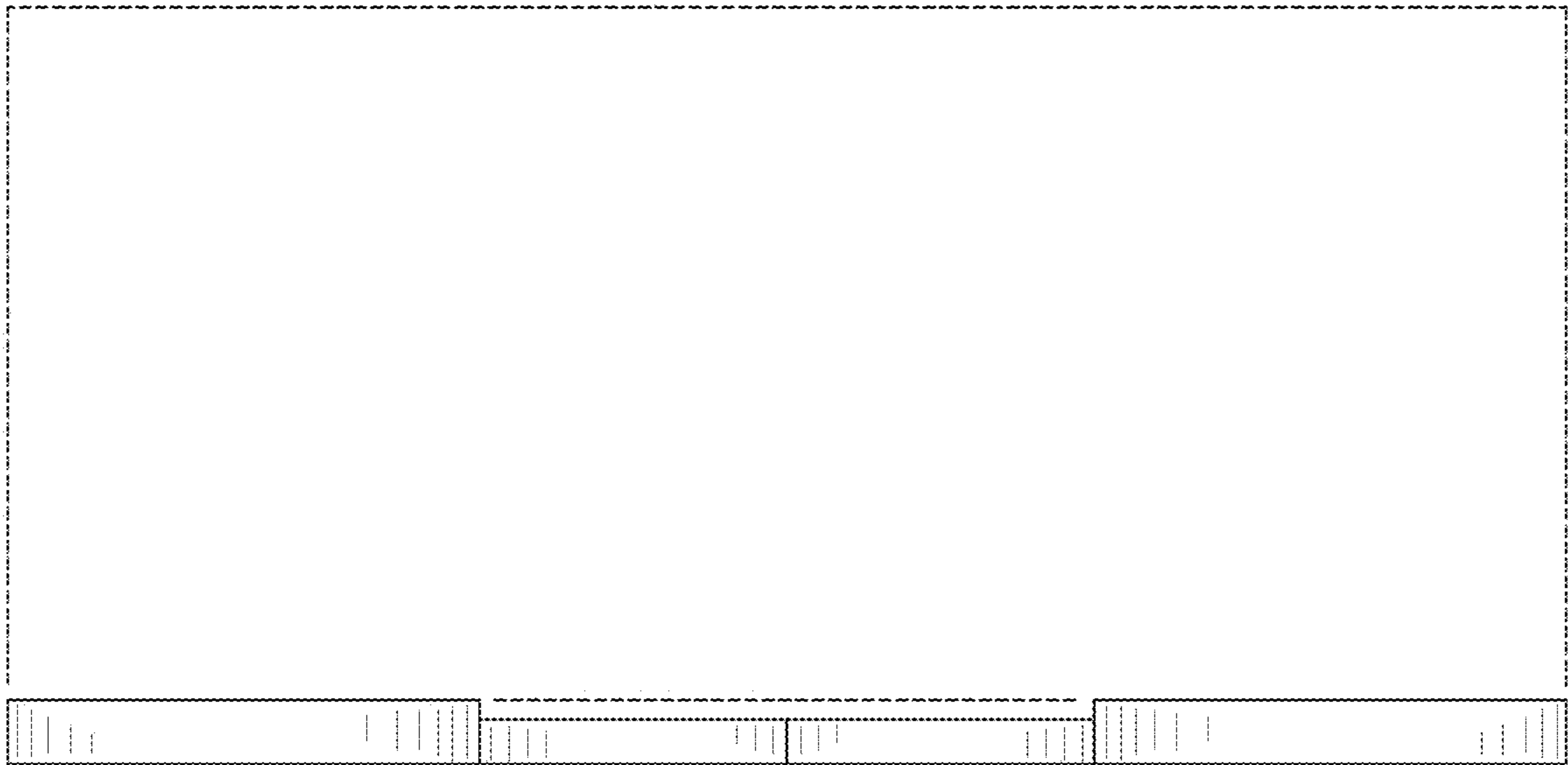


FIG. 4



FIG. 5

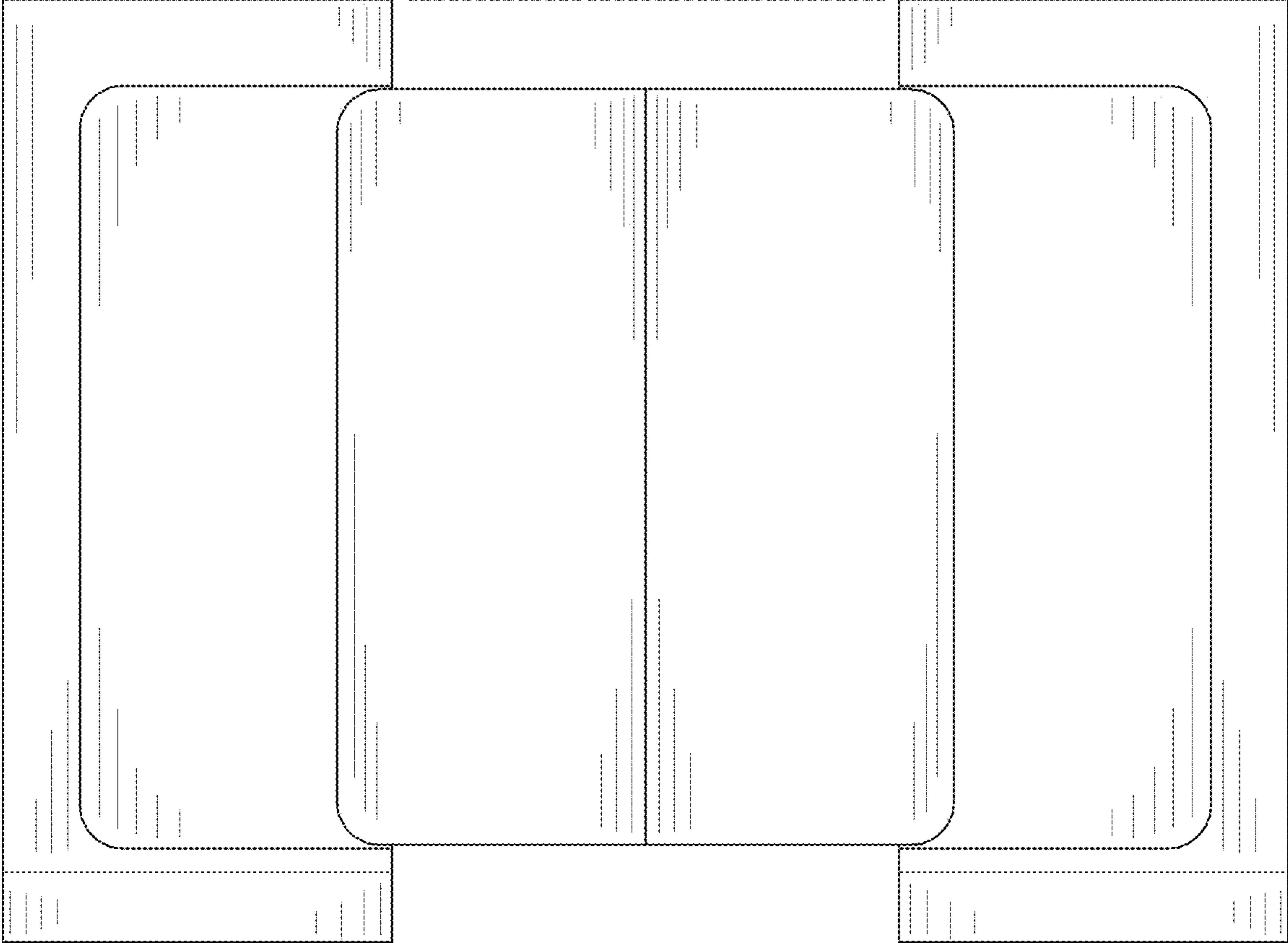


FIG. 6

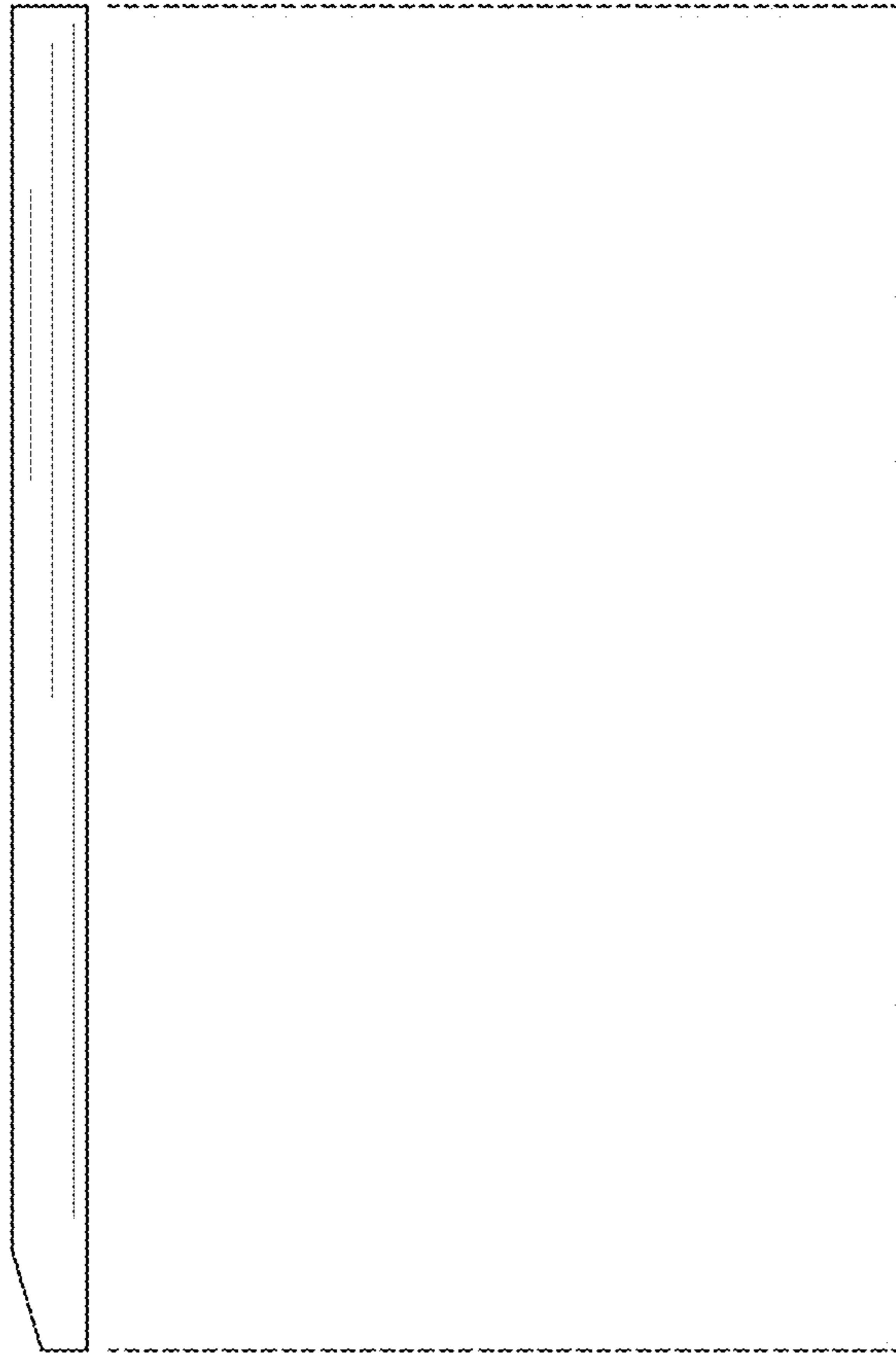


FIG. 7

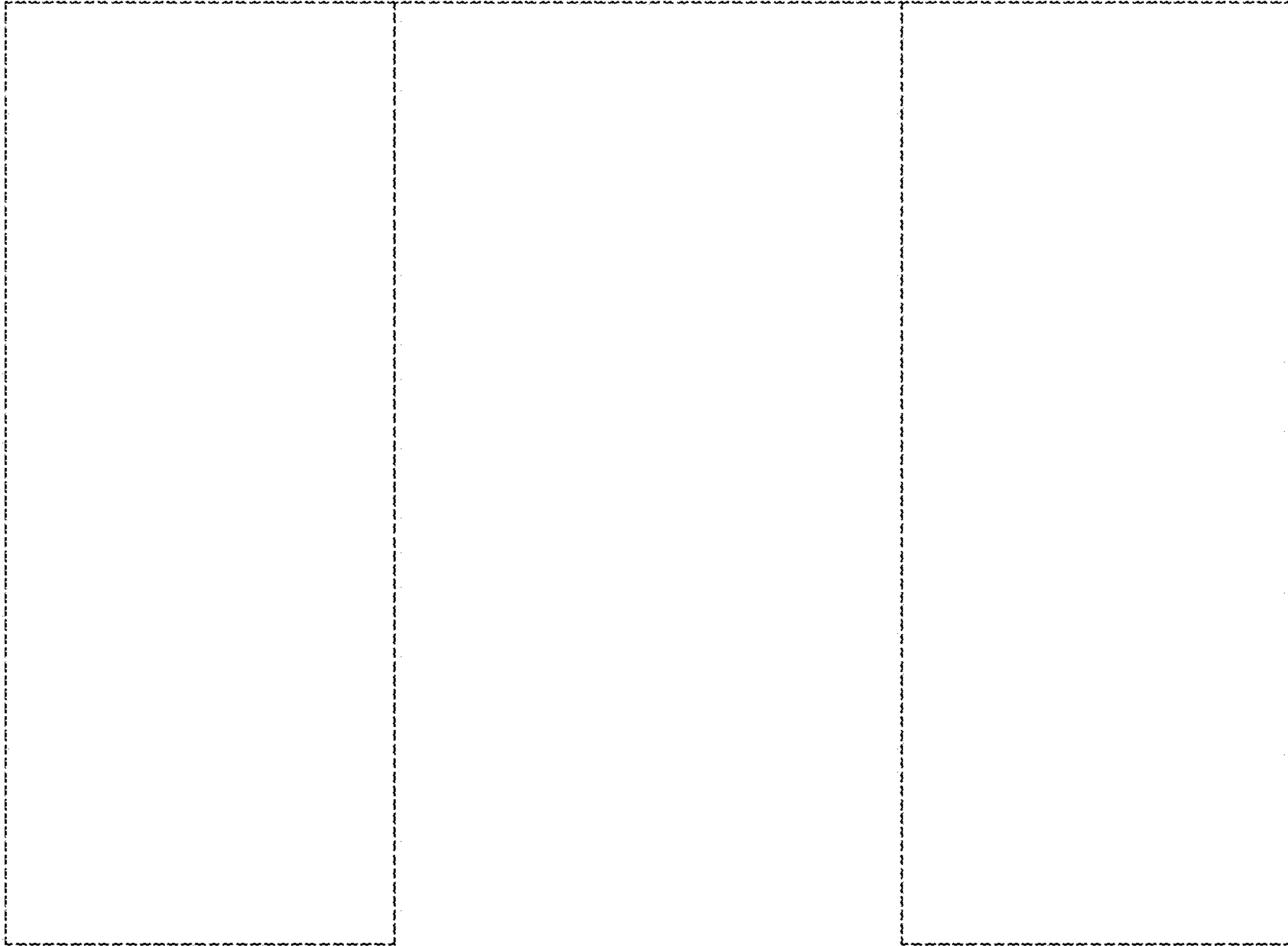


FIG. 8

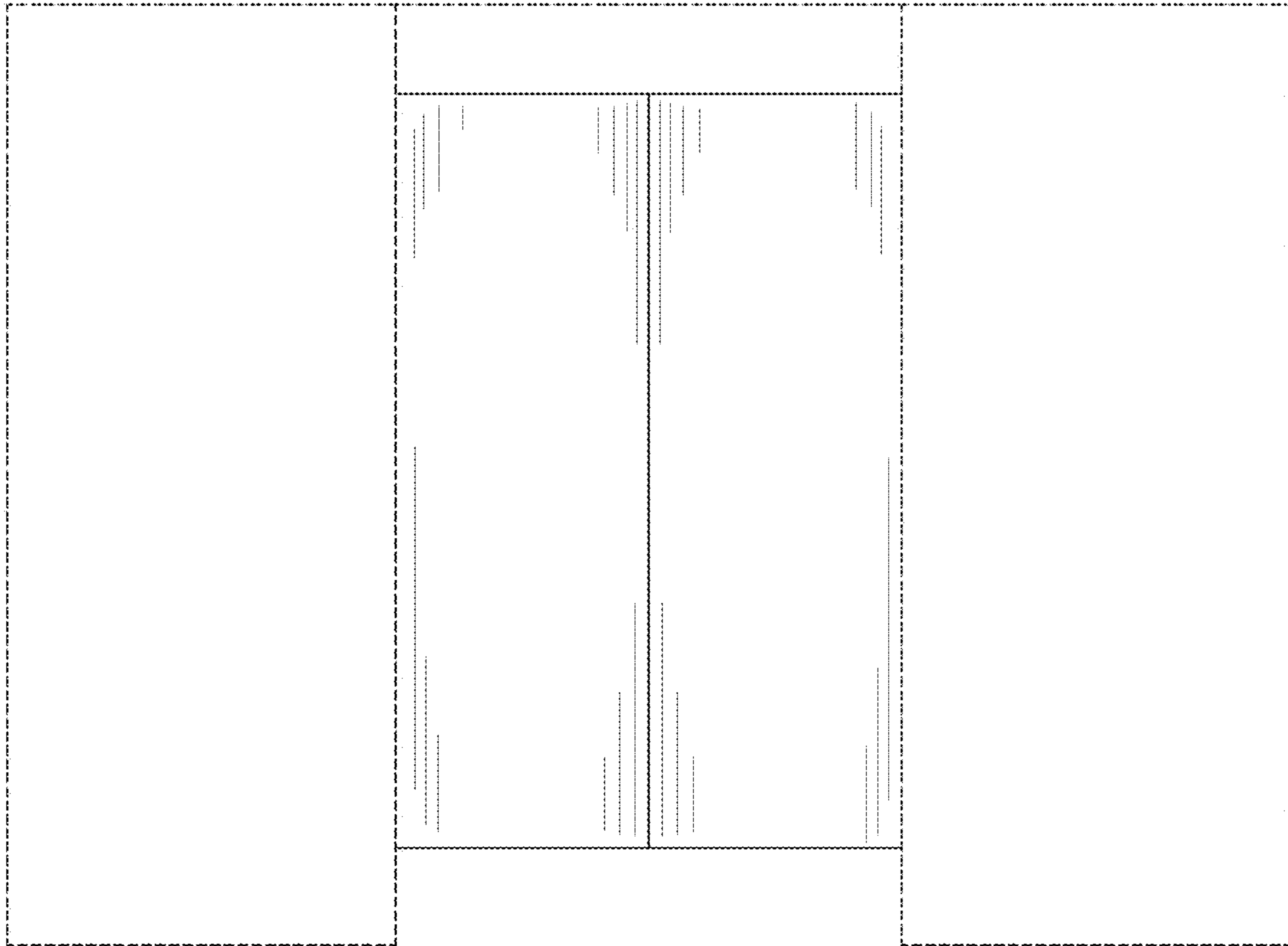


FIG. 9

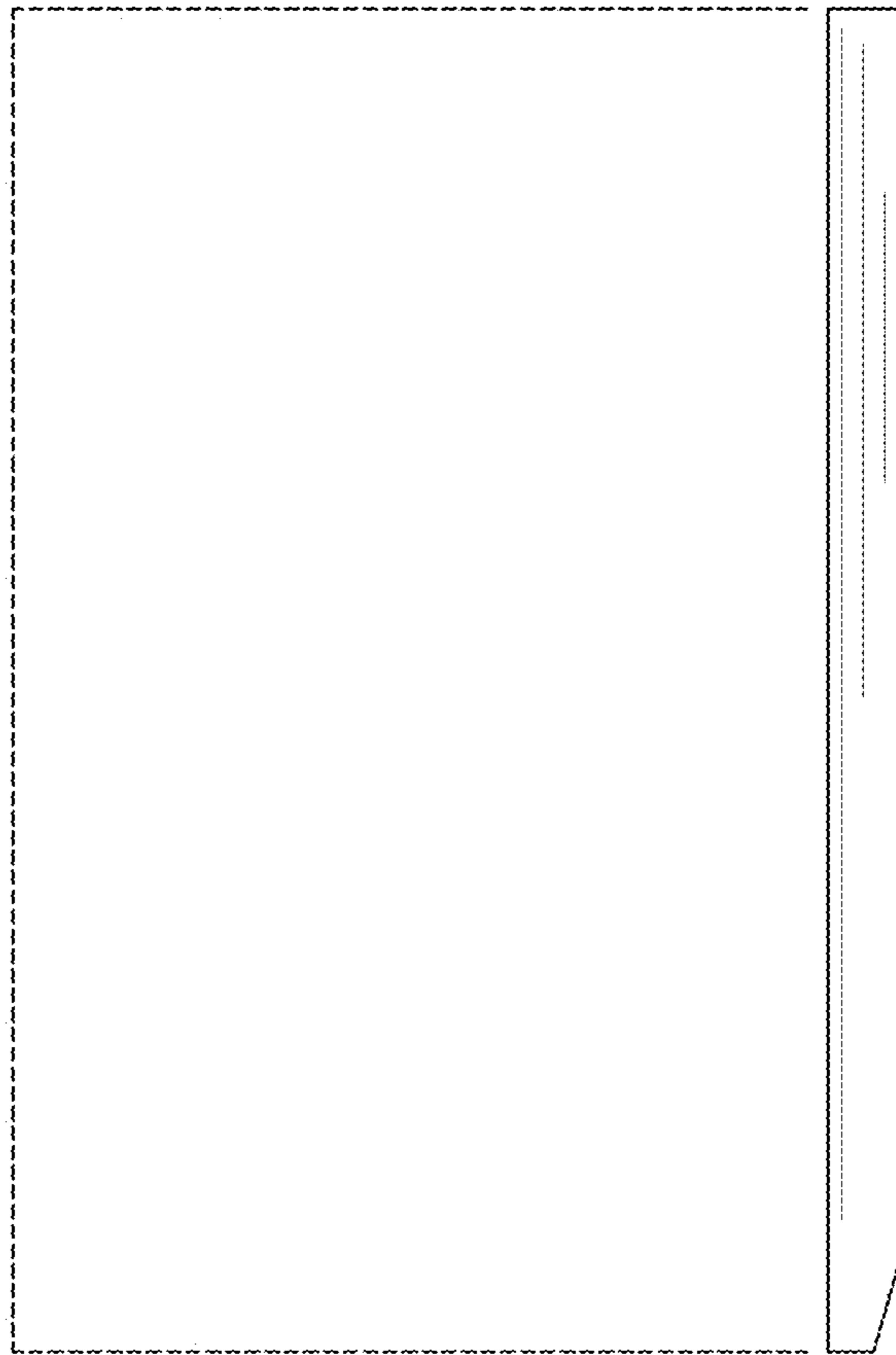


FIG. 10

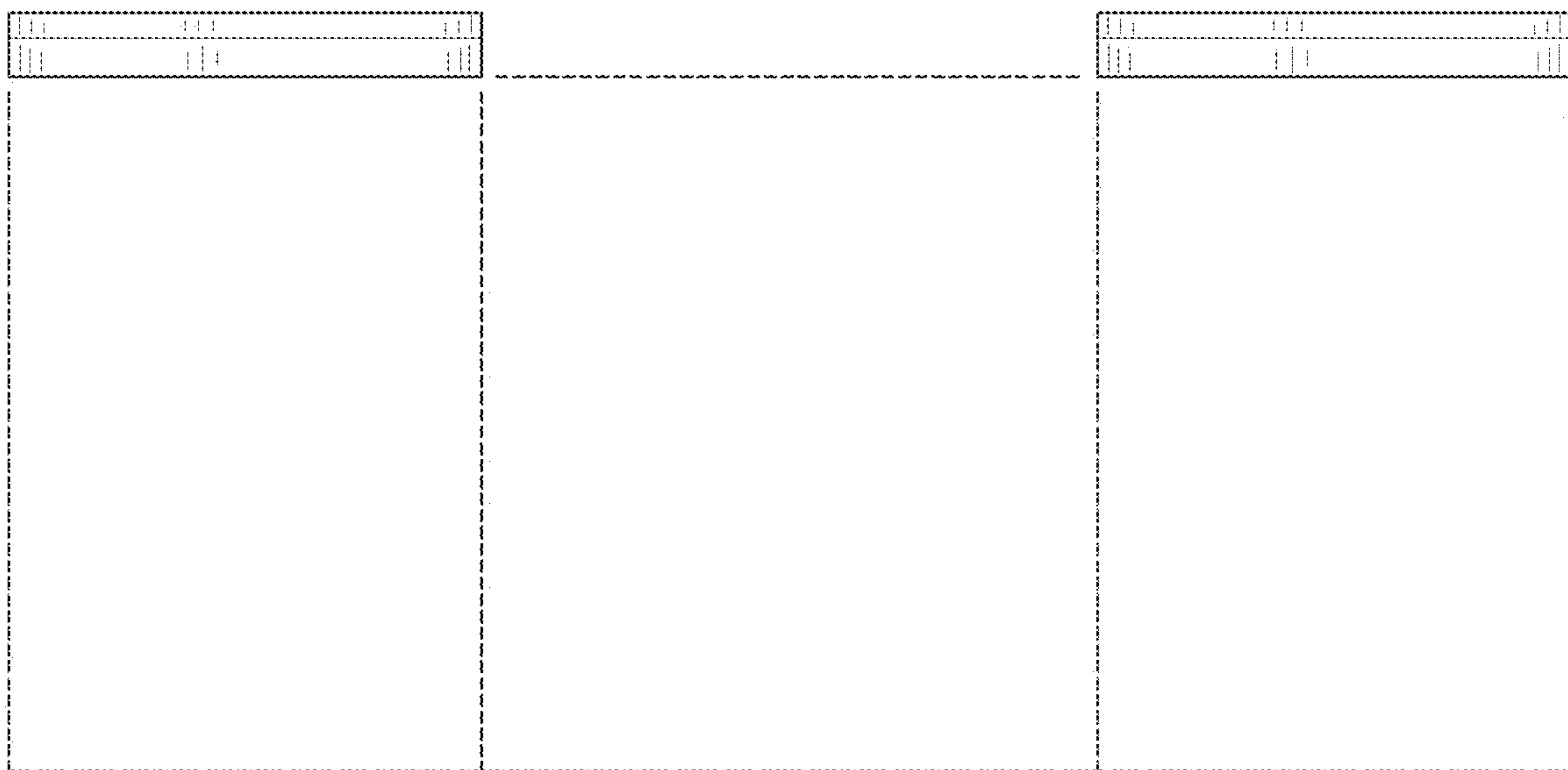


FIG. 11

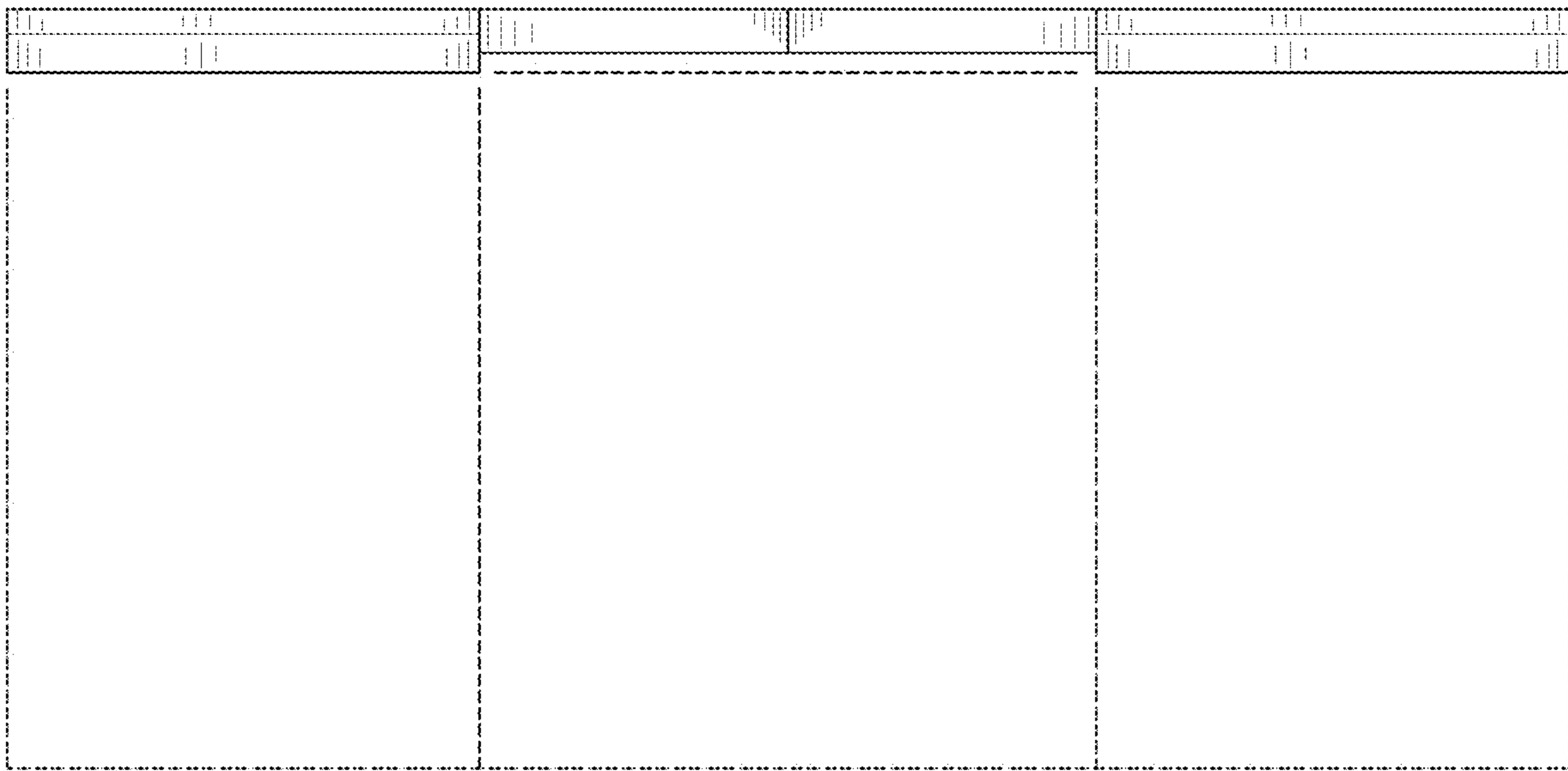


FIG. 12