



US00D916318S

(12) **United States Design Patent** (10) **Patent No.:** **US D916,318 S**
Sailors (45) **Date of Patent:** **** Apr. 13, 2021**

(54) **THERMAL SEPARATOR** 9,010,056 B2 * 4/2015 Ben David E04D 3/28
52/466
(71) Applicant: **Building Products Development LLC,** 9,121,176 B2 9/2015 Rites
Logansport, IN (US) 9,228,354 B2 1/2016 McClure
9,273,480 B2 * 3/2016 Larochelle E04G 23/0277
(72) Inventor: **Duane Sailors,** Logansport, IN (US) 9,725,903 B2 * 8/2017 Hostetler E04D 3/3602
9,926,699 B2 * 3/2018 Ben David E04B 1/68
10,385,571 B2 * 8/2019 Babcock E04D 3/362
(73) Assignee: **Building Products Development LLC,** D864,114 S * 10/2019 Greenberg D13/120
Logansport, IN (US) D873,440 S * 1/2020 Kendall D25/48.2
10,626,597 B2 * 4/2020 Strickland E04B 1/6812
10,626,662 B2 * 4/2020 Philips E06B 3/5828
10,815,657 B2 * 10/2020 Hortom E04B 1/61
(**) Term: **15 Years** 2005/0011154 A1 1/2005 Kim

(21) Appl. No.: **29/683,372**

(22) Filed: **Mar. 12, 2019**

(51) **LOC (13) Cl.** **25-02**

(52) **U.S. Cl.**
USPC **D25/55**

(58) **Field of Classification Search**
USPC D25/55, 48.2
CPC ... E04B 1/6815; E04B 1/6807; E04D 13/165;
E04D 3/3608; E04D 3/3601; E04D
2003/3612; E04D 2003/3615; E06B 3/30;
E06B 1/34
See application file for complete search history.

(56) **References Cited**

U.S. PATENT DOCUMENTS

4,110,948 A 9/1978 Maier, Jr.
4,383,423 A * 5/1983 Lenglet F25B 9/065
137/625.11
5,181,360 A 1/1993 Shingler
7,712,273 B2 5/2010 Panasik et al.
8,109,051 B2 * 2/2012 Showers E06B 3/6715
52/204.53
8,122,667 B2 2/2012 Ferge et al.
D689,200 S * 9/2013 Elizarraras D25/55
8,621,805 B2 1/2014 McClure
8,627,628 B2 1/2014 McClure
D701,323 S * 3/2014 Fortun E06B 1/70
D25/48.2
8,826,616 B1 * 9/2014 Gosselin E06B 3/9616
52/309.3

FOREIGN PATENT DOCUMENTS

ES 1065135 6/2007
ES 1065136 6/2007

* cited by examiner

Primary Examiner — Doris Clark
(74) *Attorney, Agent, or Firm* — Sheridan Ross P.C.

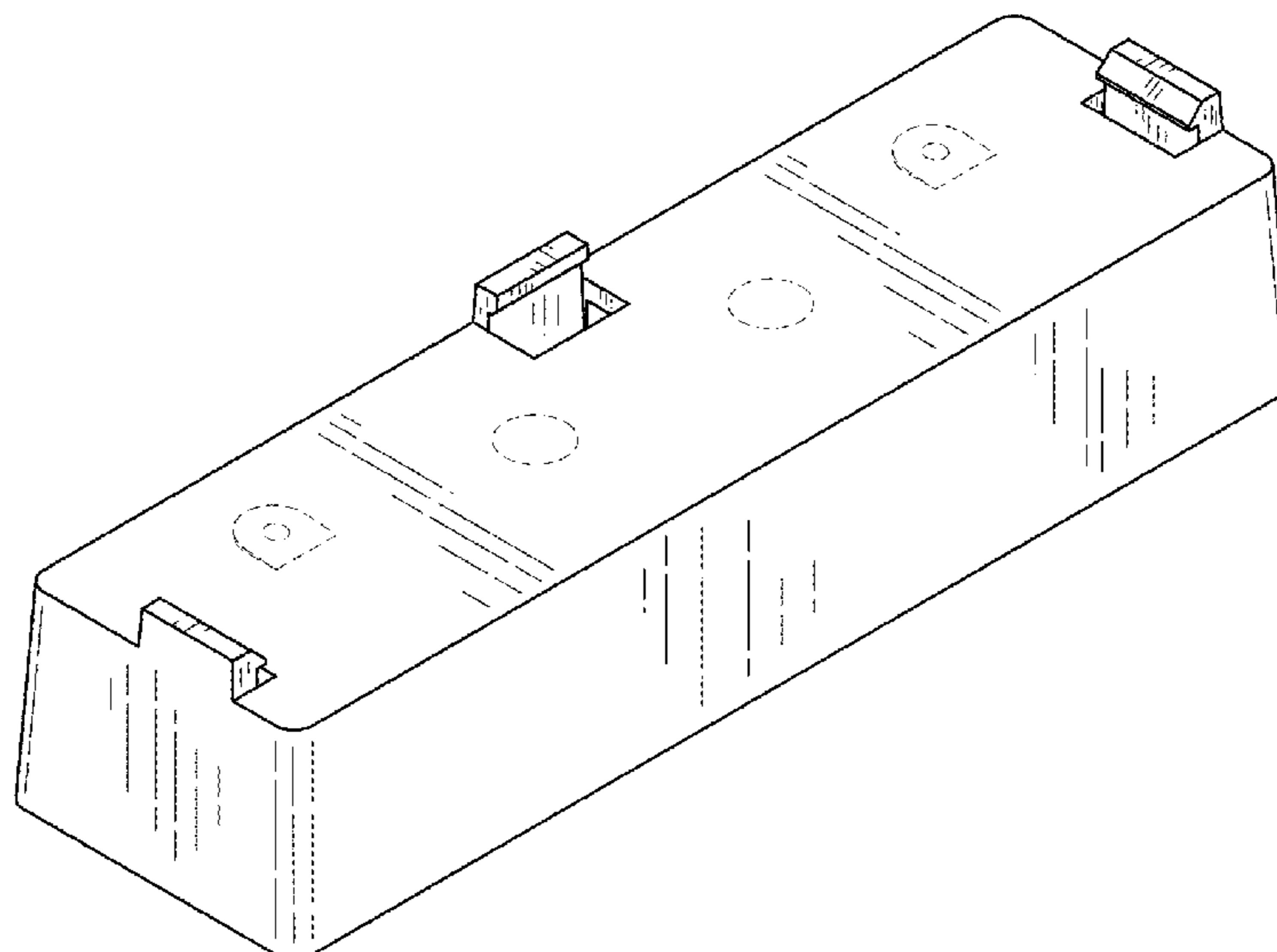
(57) **CLAIM**

The ornamental design for a thermal separator, as shown and described.

DESCRIPTION

FIG. 1 is a top perspective view of a thermal separator showing my new design;
FIG. 2 is a bottom perspective view thereof;
FIG. 3 is a front elevation view thereof;
FIG. 4 is a rear elevation view thereof;
FIG. 5 is a right elevation view thereof;
FIG. 6 is a left elevation view thereof;
FIG. 7 is a top plan view thereof; and,
FIG. 8 is a bottom plan view thereof.
The dashed lines show portions of the thermal separator which form no part of the claimed design.

1 Claim, 7 Drawing Sheets



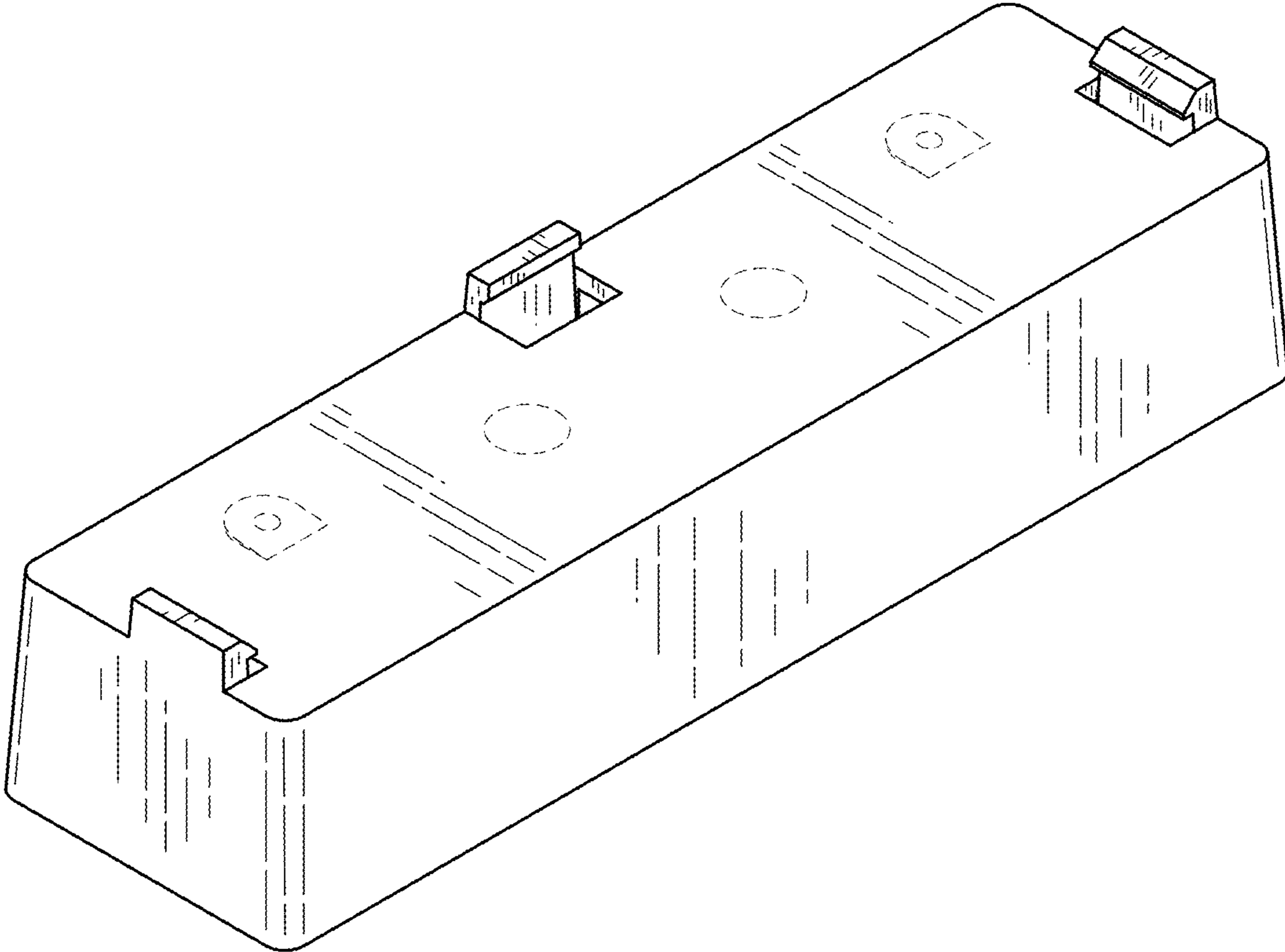


FIG.1

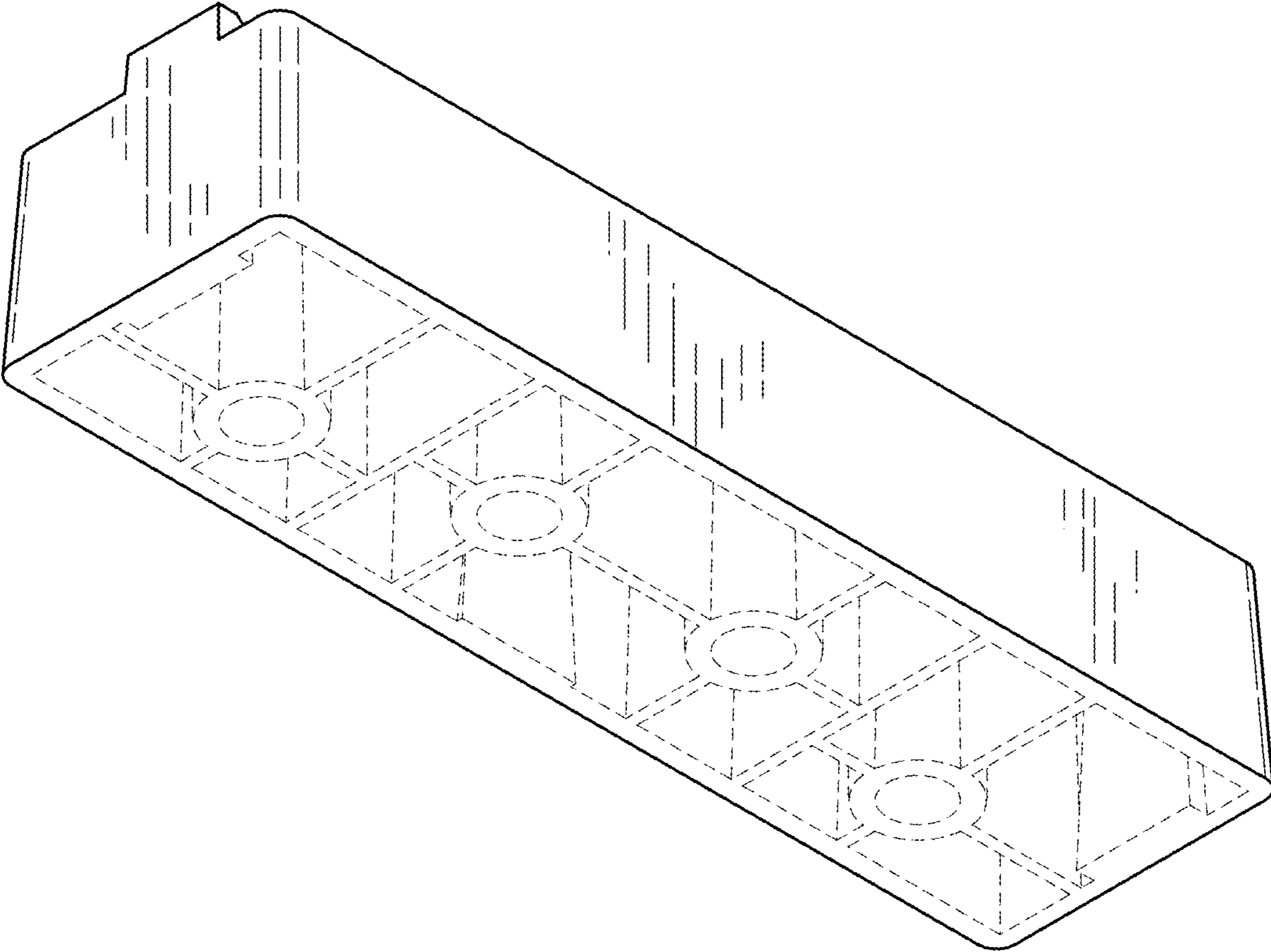


FIG.2

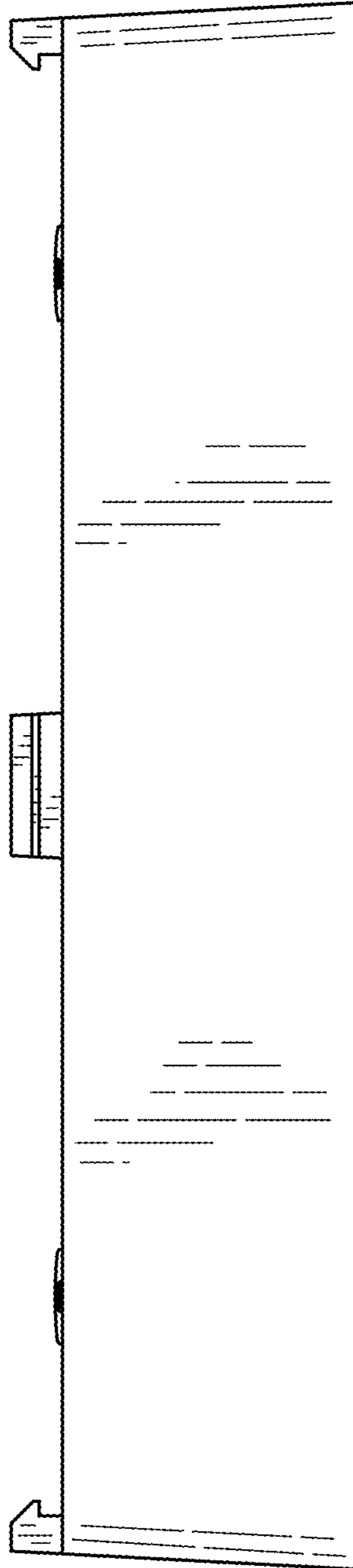


FIG.3

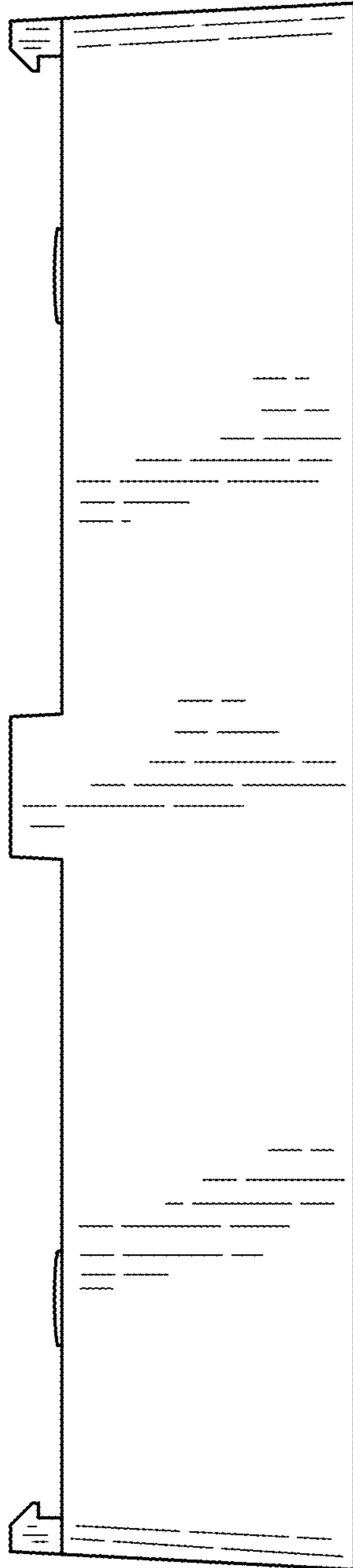


FIG.4

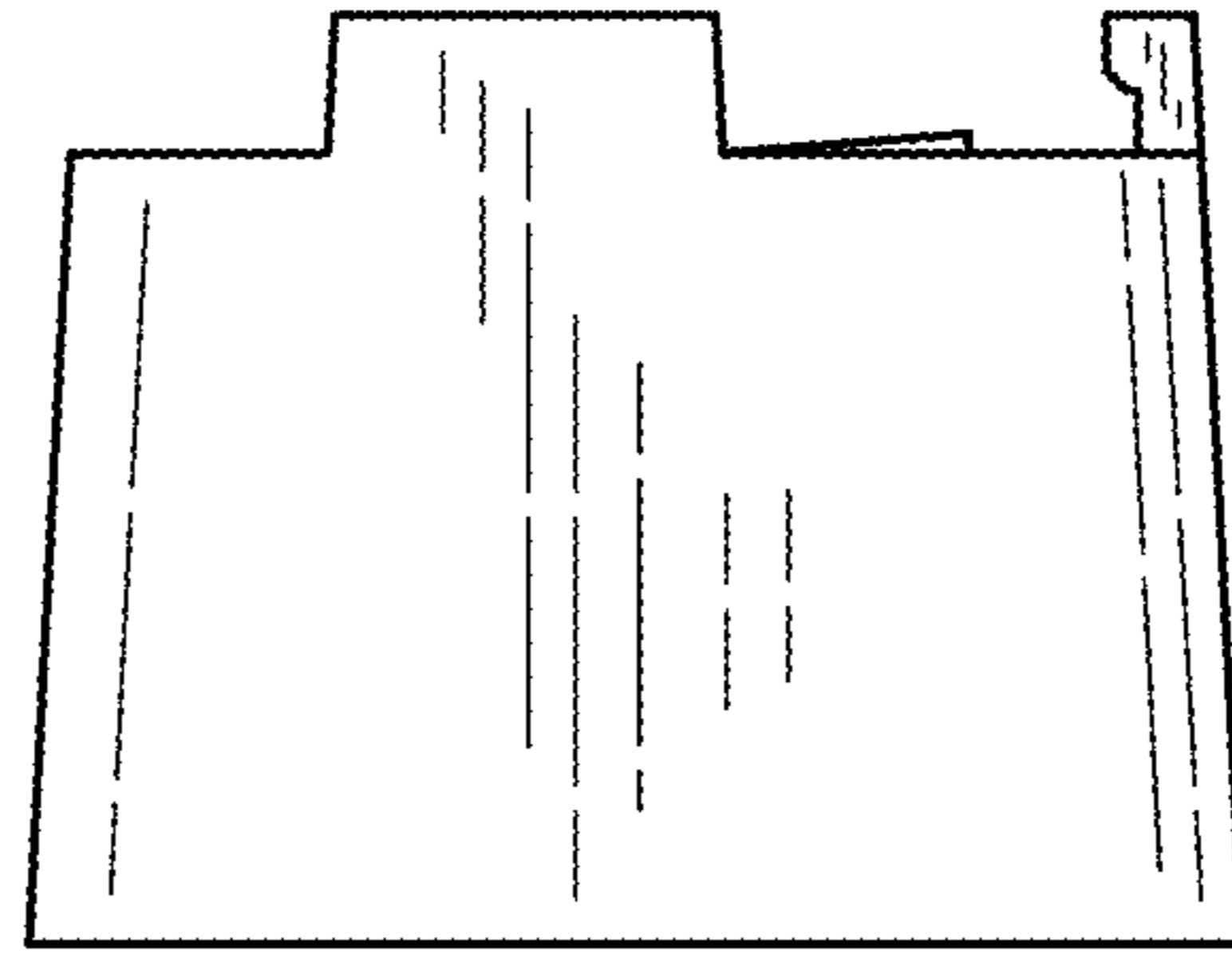


FIG. 5

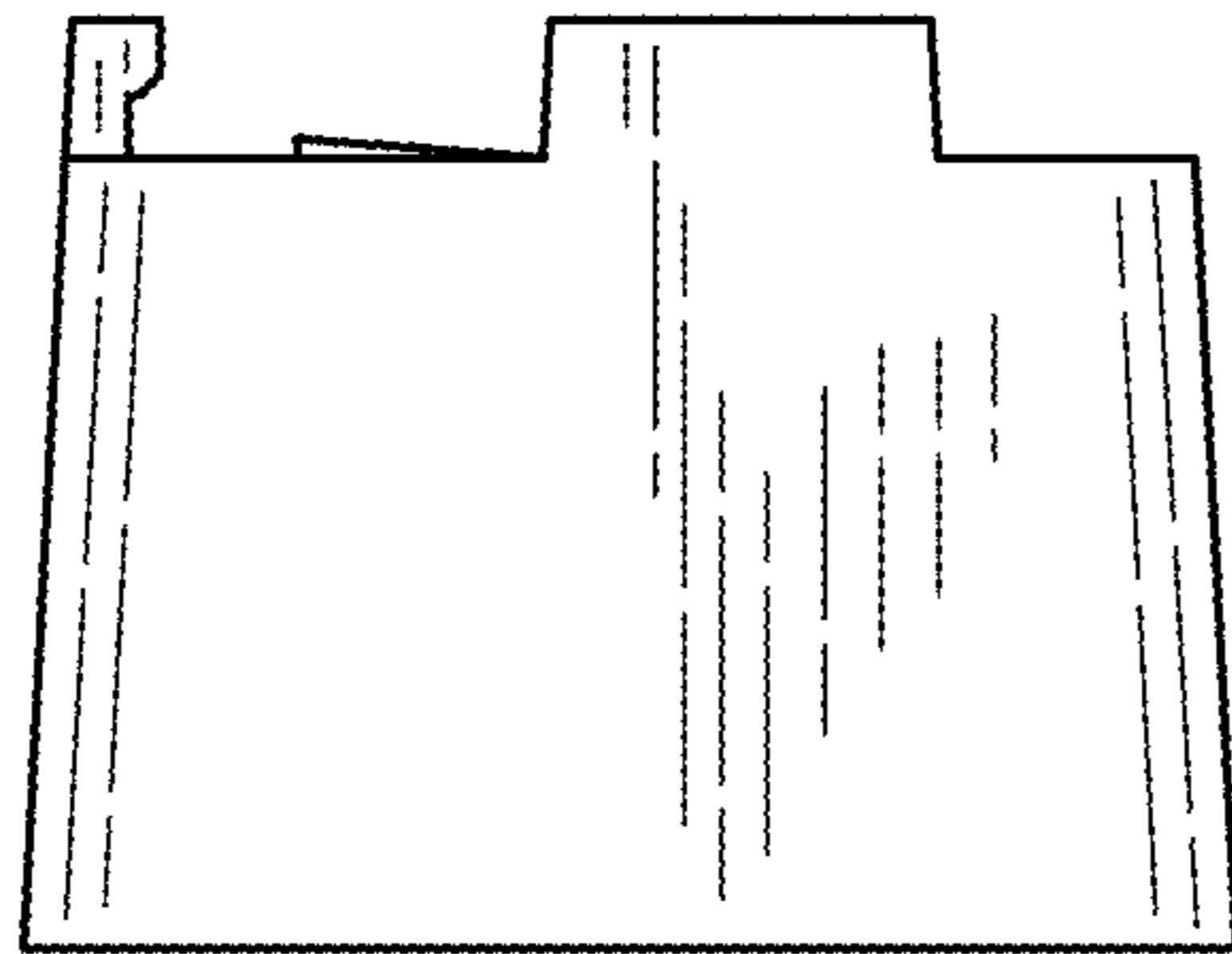


FIG. 6

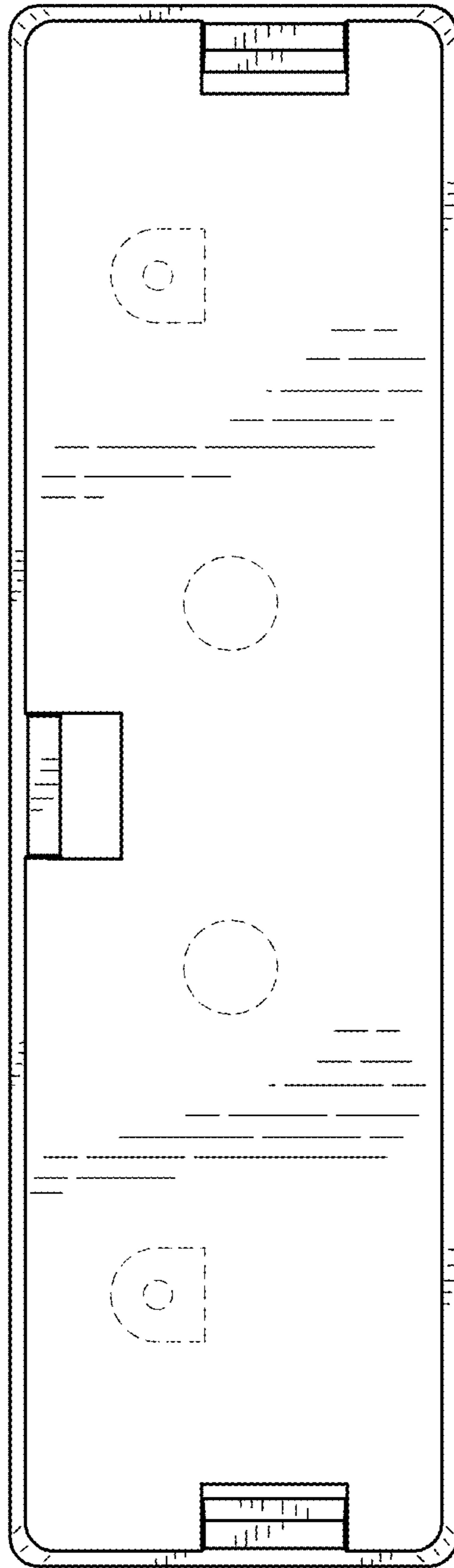


FIG.7

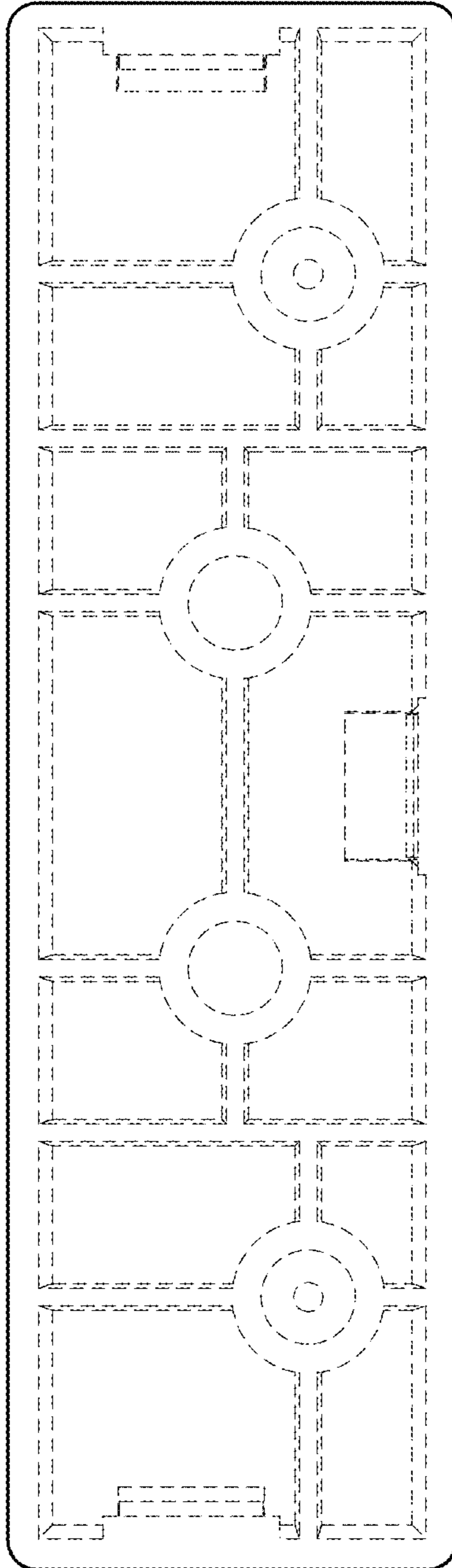


FIG. 8