



US00D916314S

(12) **United States Design Patent** (10) **Patent No.:** **US D916,314 S**
Fernandes Mateus (45) **Date of Patent:** **** Apr. 13, 2021**

(54) **STORAGE CONTAINER**

(71) Applicant: **Biopharma Supplies Ltd**, Sheffield (GB)

(72) Inventor: **Tiago Miguel Fernandes Mateus**, London (GB)

(73) Assignee: **Biopharma Supplies Ltd**, Sheffield (GB)

(**) Term: **15 Years**

(21) Appl. No.: **29/683,763**

(22) Filed: **Mar. 15, 2019**

(30) **Foreign Application Priority Data**

Sep. 18, 2018 (GB) 6044067

(51) **LOC (13) Cl.** **24-01**

(52) **U.S. Cl.**
USPC **D24/227**

(58) **Field of Classification Search**

USPC D3/200, 201, 203.1, 203.2, 204, 205, D3/273-274, 276, 283, 284, 294-298, D3/302, 315, 901, 903, 316, 327; D9/414, 418, 420, 422-426, 428, 430, D9/432, 503, 504, 434; D7/300.2, 505, D7/641, 701, 703; D27/172, 183, 184, D27/186, 187, 189, 190, 191; D28/9, 73, D28/76, 78, 82, 91; D6/659, 663, 667, D6/671.1; 206/6.1, 703, 705; D24/224, D24/227, 229

CPC A45C 11/05; A45C 11/16; A45C 11/34; A45C 11/36; A45C 13/005; A45D 33/00; A45D 33/003; A45D 33/006; A45D 33/24; B65D 1/22; B65D 2585/08; B65D 85/07; B65D 85/08; B65D 85/20; B65D 85/22; B65D 85/28; A01N 1/0268; A01N 1/0273

See application file for complete search history.

(56) **References Cited**

U.S. PATENT DOCUMENTS

2,172,196 A * 9/1939 Flamm B23K 35/40
206/427
2,267,113 A * 12/1941 Kyprie A61J 9/06
248/102
D135,624 S * 5/1943 Kanter D27/186
2,844,346 A * 7/1958 Six A47G 23/0241
248/141
D219,395 S * 12/1970 Didion D7/622
4,429,542 A * 2/1984 Sakao A01N 1/02
62/62
D275,229 S * 8/1984 Sanderson D24/227
D318,017 S * 7/1991 Patterson D7/622
D335,925 S * 5/1993 Newman D24/128
D443,933 S * 6/2001 Schindler D24/199

(Continued)

OTHER PUBLICATIONS

Cryobox Vessel & IV Bag Vessel, posted at biophs.com, no posting date, retrieved Dec. 8, 2020, online, URL:https://biophs.com/ (Year: 2020).*

Primary Examiner — Lilyana Bekic

Assistant Examiner — Mary Shannon Malley

(74) *Attorney, Agent, or Firm* — Seed IP Law Group LLP

(57) **CLAIM**

The ornamental design for a storage container, as shown and described.

DESCRIPTION

FIG. 1 is an isometric view of a storage container showing my new design.

FIG. 2 is a front view thereof.

FIG. 3 is a right side view thereof.

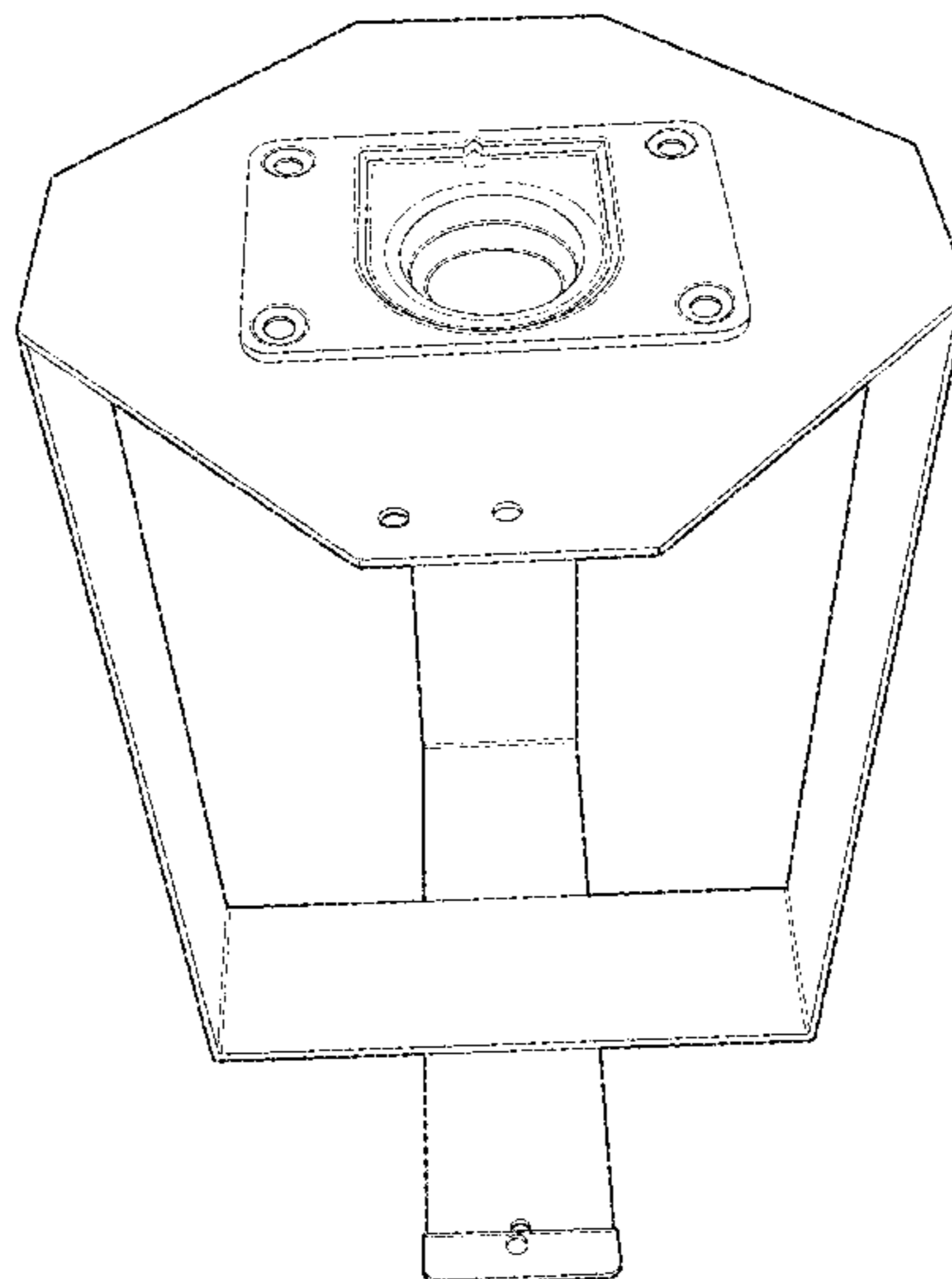
FIG. 4 is a rear view thereof.

FIG. 5 is a left side view thereof.

FIG. 6 is a top view thereof; and,

FIG. 7 is a bottom view thereof.

1 Claim, 7 Drawing Sheets



(56)

References Cited

U.S. PATENT DOCUMENTS

D448,980	S	*	10/2001	Fredrickson	D3/315
D468,014	S	*	12/2002	Girod	D24/122
D499,804	S	*	12/2004	Sherman	D24/127
D529,622	S	*	10/2006	Hadjis	D24/229
D543,055	S	*	5/2007	Au	D3/298
D595,862	S	*	7/2009	Suzuki	D24/227
D711,540	S	*	8/2014	Steward, Jr.	D24/161
D716,554	S	*	11/2014	Chen	D3/315
D741,065	S	*	10/2015	Louthan, Jr.	D3/315
D789,091	S	*	6/2017	Lai	D3/315
D826,398	S	*	8/2018	Eaton	D24/128
D828,729	S	*	9/2018	Kent	D7/630
D829,924	S	*	10/2018	Bohm	D24/227
D847,371	S	*	4/2019	Koseoglu	D24/227
D868,286	S	*	11/2019	Kneisel	D24/227
D888,984	S	*	6/2020	Solakian	D24/227
2018/0306493	A1	*	10/2018	James	A01N 1/0268
2020/0281191	A1	*	9/2020	Ally	A01N 1/0257

* cited by examiner

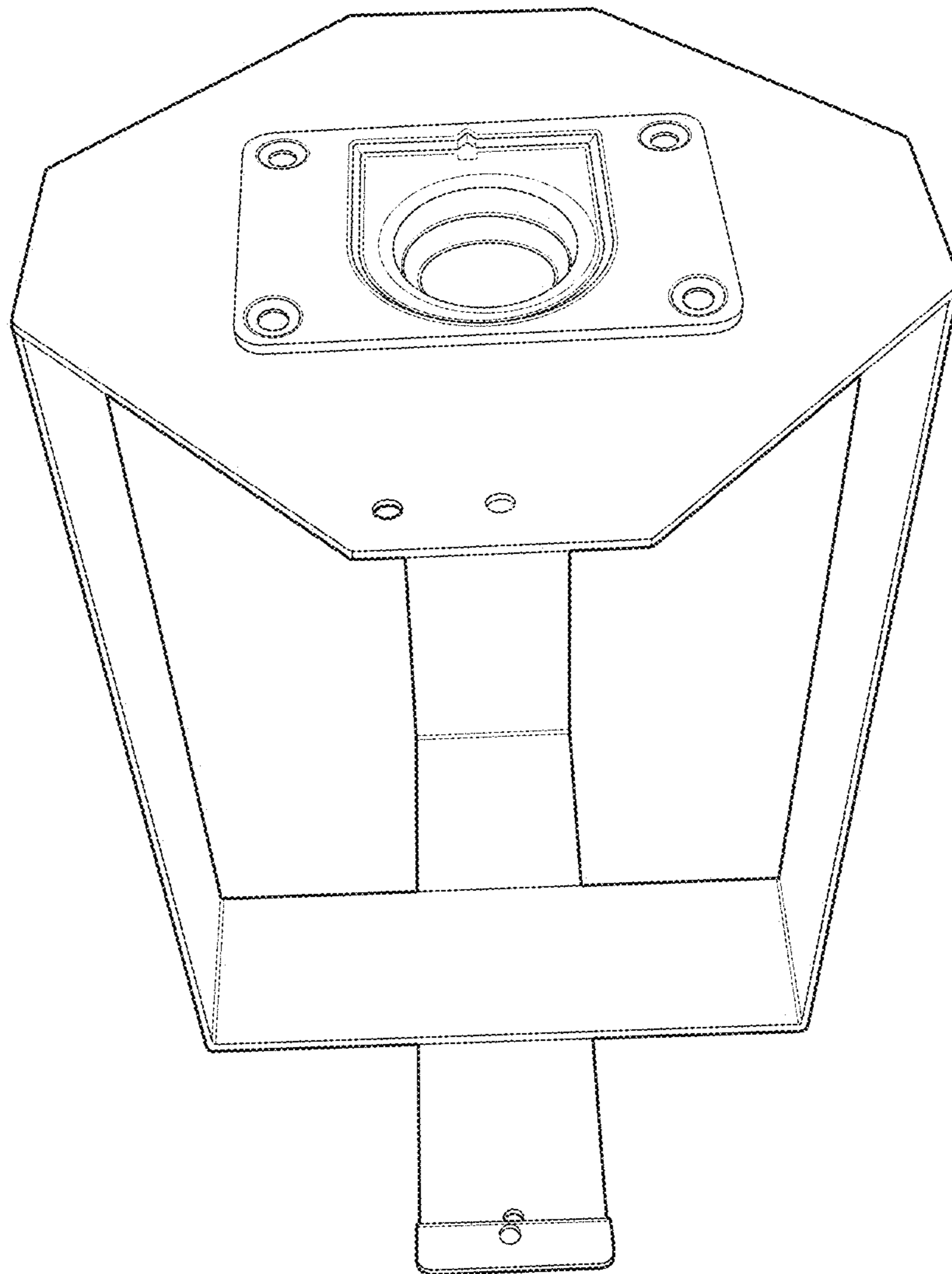


FIG. 1

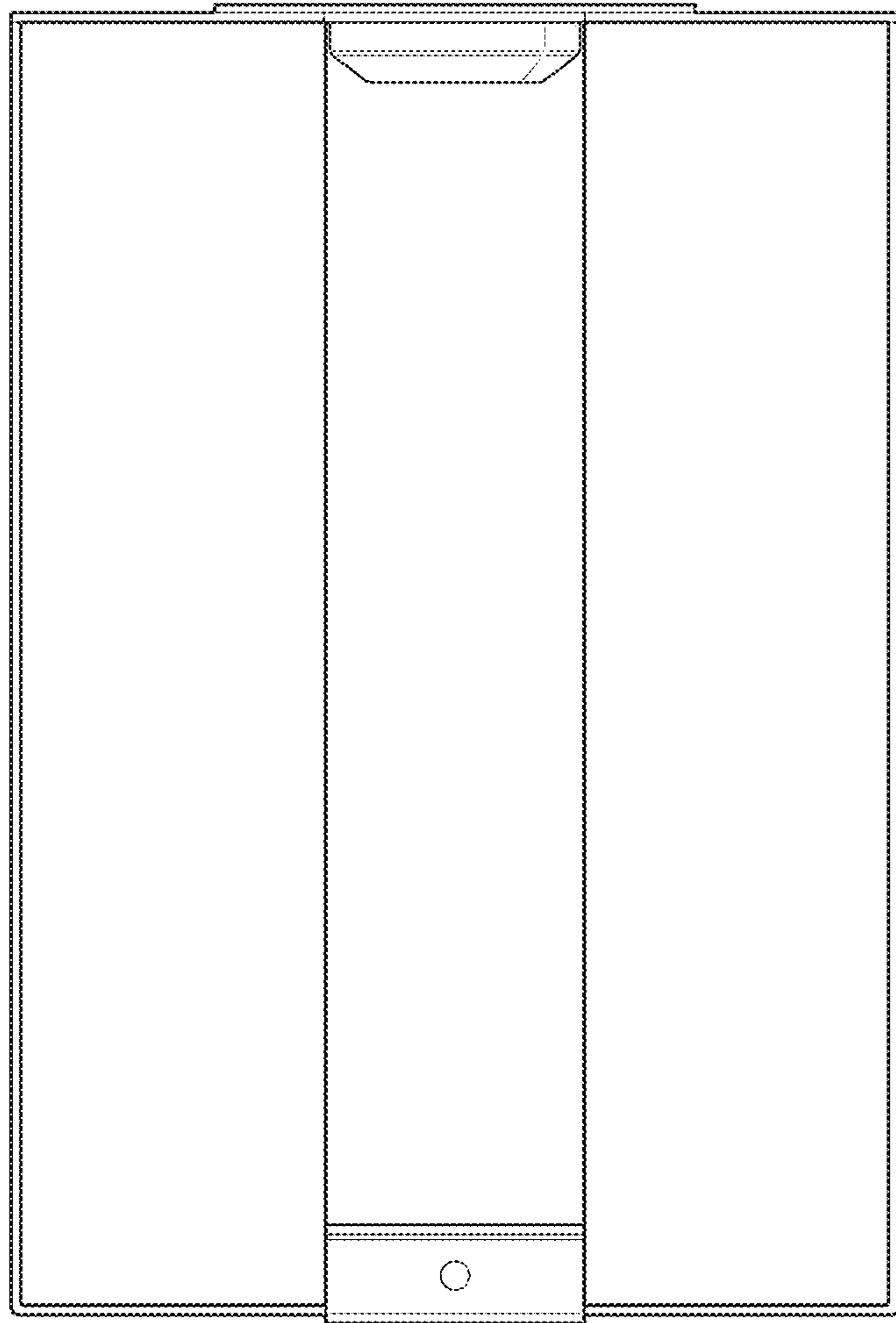


FIG. 2

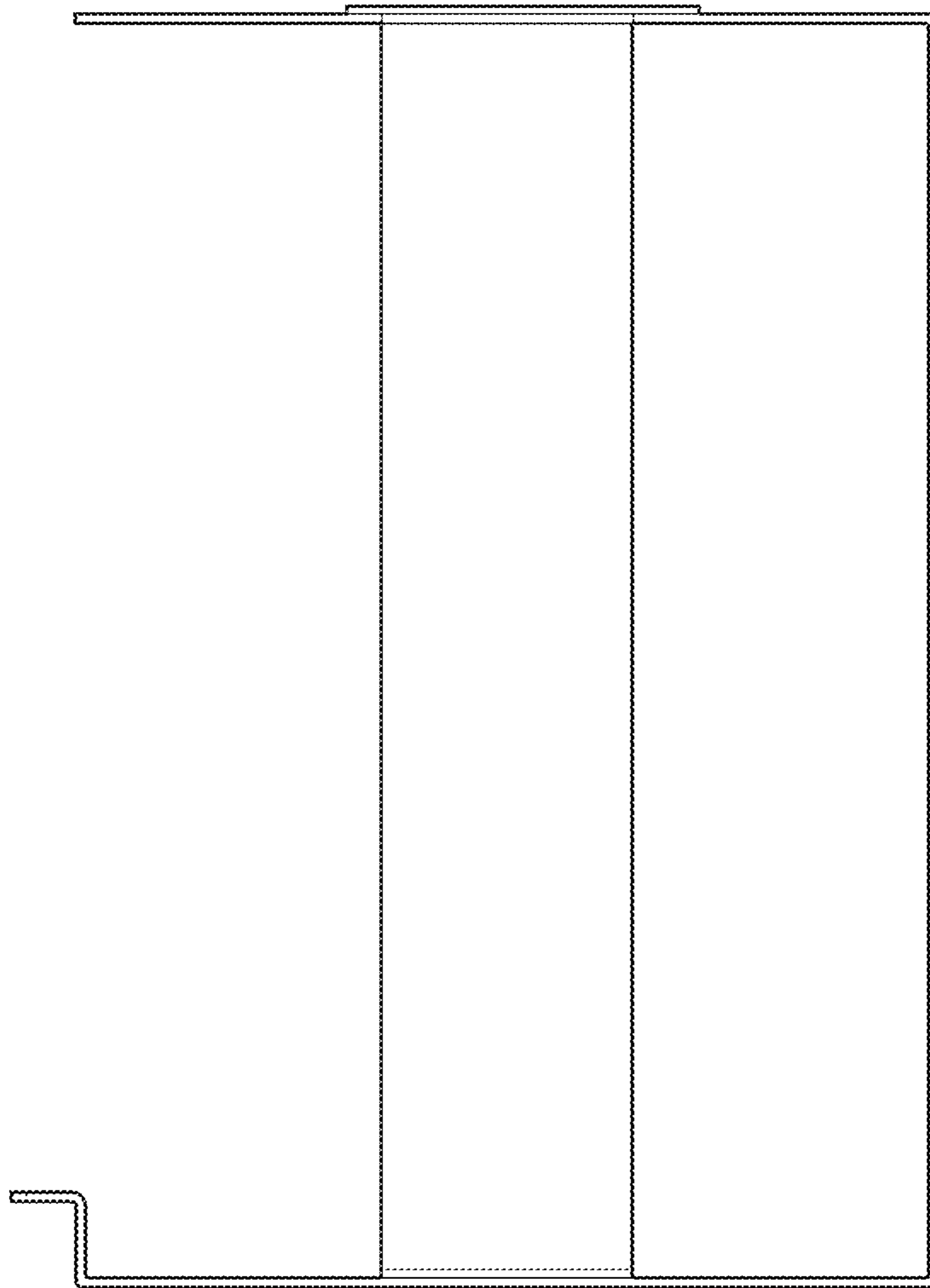


FIG. 3

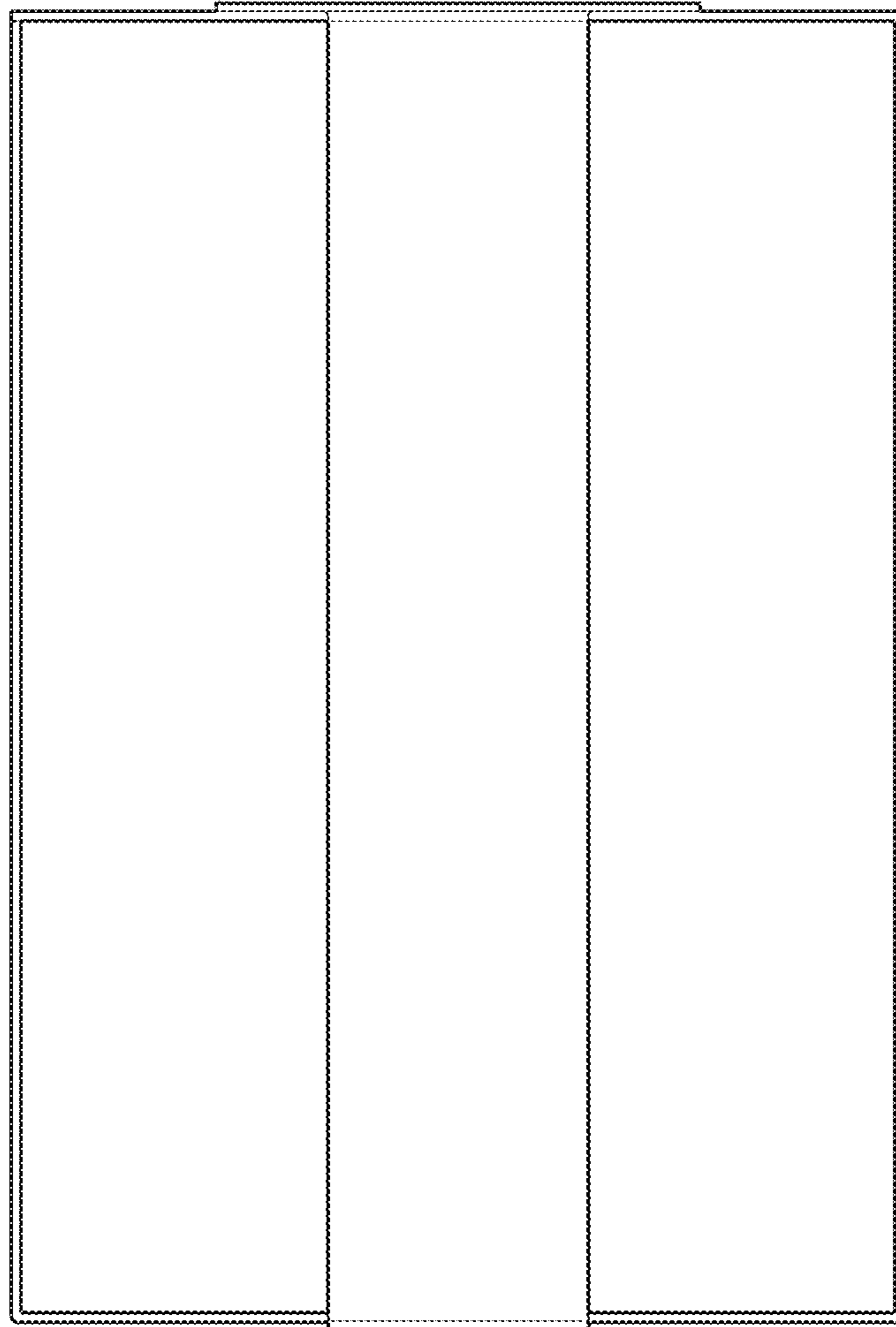


FIG. 4

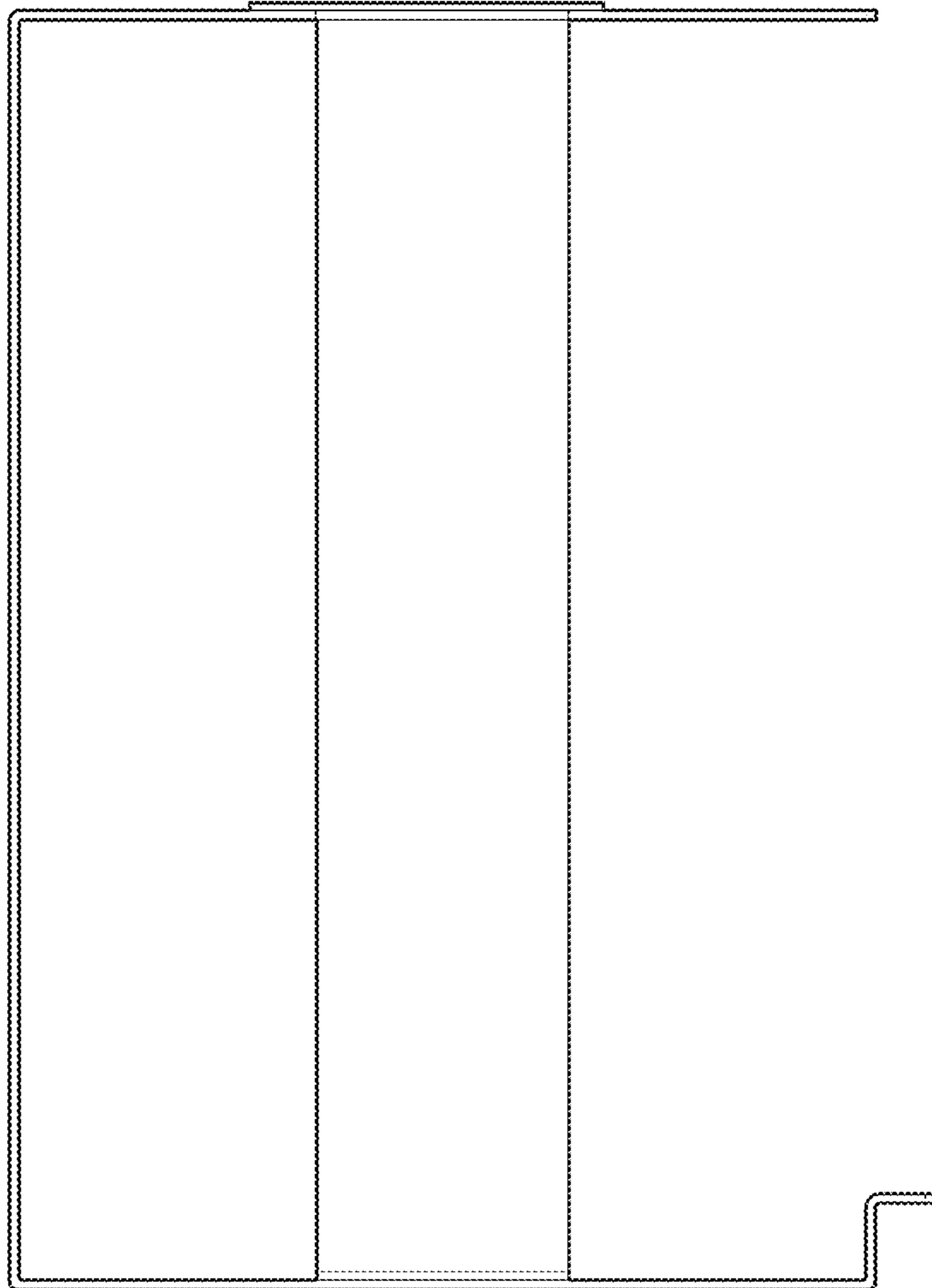


FIG. 5

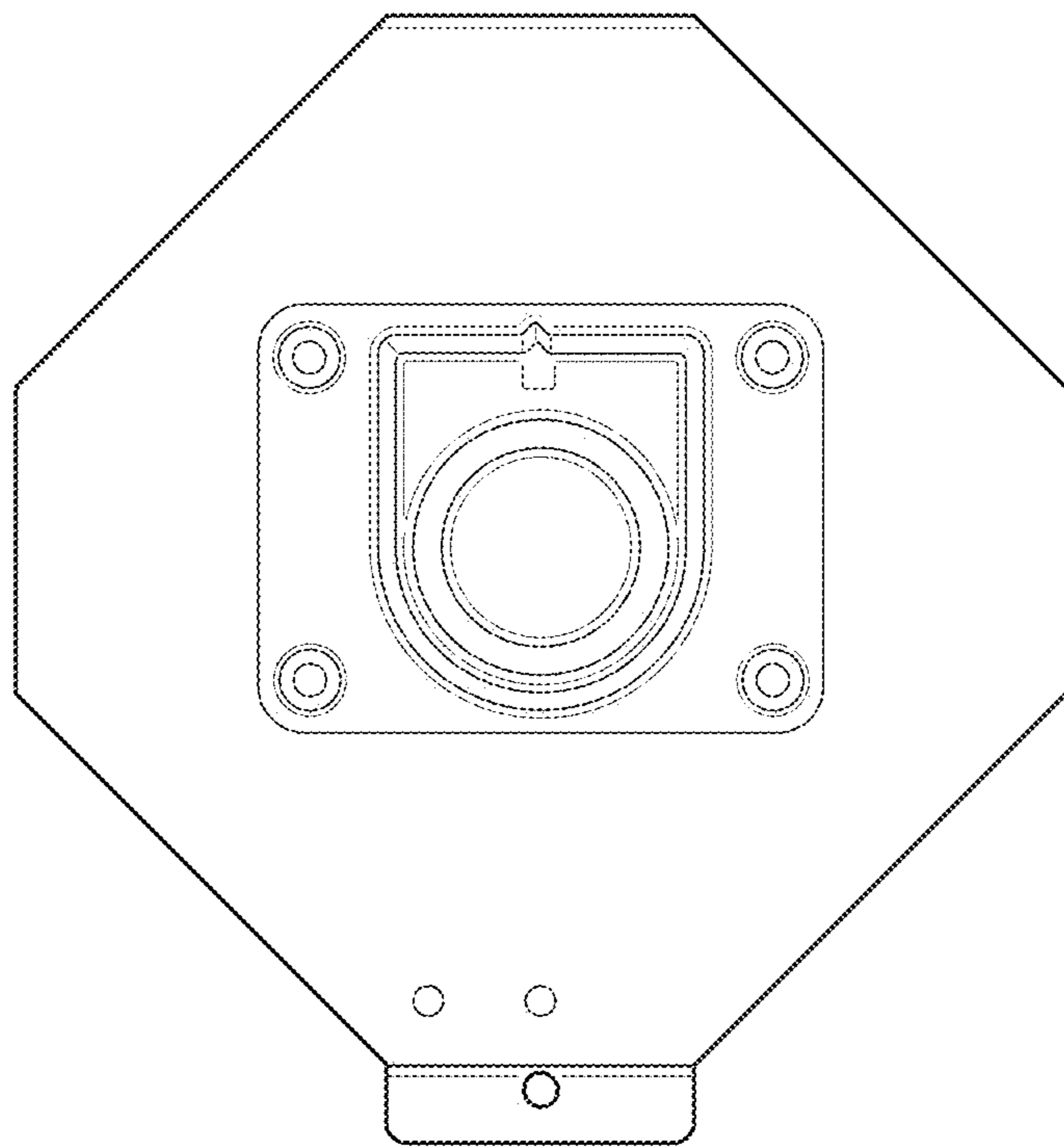


FIG. 6

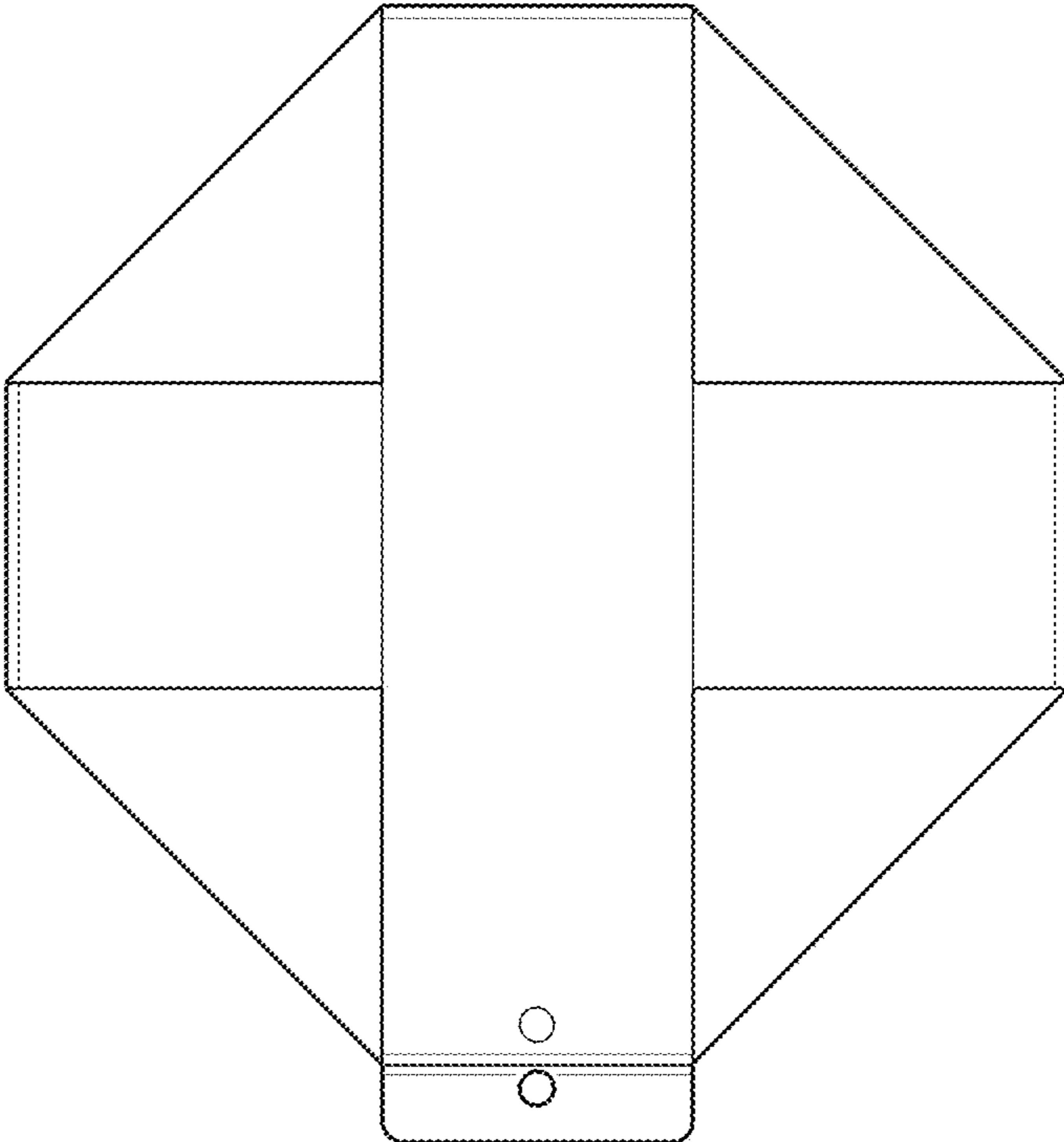


FIG. 7