



US00D916309S

(12) **United States Design Patent** (10) **Patent No.:** **US D916,309 S**
Mataki et al. (45) **Date of Patent:** **** Apr. 13, 2021**

(54) **CHIP FOR THE ANALYSIS OF BIOCHEMICAL REACTIONS**

(71) Applicant: **Nippon Chemiphar Co. Ltd.**, Tokyo (JP)

(72) Inventors: **Takahiro Mataki**, Tokyo (JP); **Mai Egami**, Misato (JP); **Norio Tanimoto**, Misato (JP); **Kenji Uemura**, Misato (JP)

(**) Term: **15 Years**

(21) Appl. No.: **35/507,971**

(22) Filed: **Dec. 14, 2018**

(80) **Hague Agreement Data**

Int. Filing Date: **Dec. 14, 2018**

Int. Reg. No.: **DM/204343**

Int. Reg. Date: **Dec. 14, 2018**

Int. Reg. Pub. Date: **Dec. 6, 2019**

(51) **LOC (13) Cl.** **24-02**

(52) **U.S. Cl.**
USPC **D24/216**

(58) **Field of Classification Search**
USPC D24/107, 108, 119, 121, 128, 185, 186, D24/216, 217, 218, 219, 220, 221, 222, D24/223, 224, 225, 226, 227, 228, 229, D24/230, 231, 232, 233, 234
CPC A61B 2560/0487; A61B 2562/0295; A61B 5/002; A61B 5/0022; G01N 1/22; G01N 1/2273; G01N 2001/2276; G01N 2001/2291

See application file for complete search history.

(56) **References Cited**

U.S. PATENT DOCUMENTS

D806,890 S *	1/2018	Williams	D24/216
D852,975 S *	7/2019	Jones	D24/216
D854,704 S *	7/2019	LiCalzi	D24/216
D864,000 S *	10/2019	Staton	D10/81
D868,991 S *	12/2019	Norton	D24/216
D882,432 S *	4/2020	Yee	A61B 5/6898 D10/81
D898,216 S *	10/2020	Nicolas	D24/216

* cited by examiner

Primary Examiner — Samantha Q Lawrence

(74) *Attorney, Agent, or Firm* — Sughrue Mion, PLLC

(57) **CLAIM**

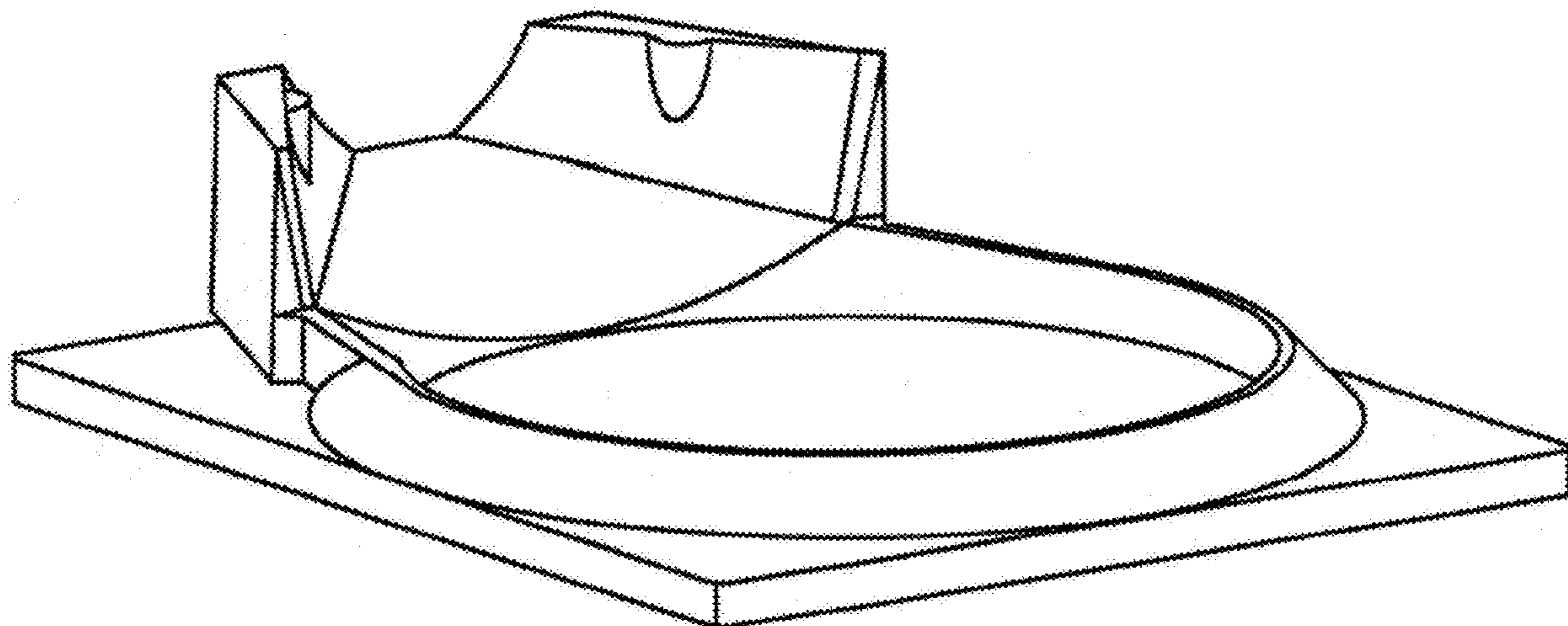
The ornamental design for a chip for the analysis of biochemical reactions, as shown and described.

DESCRIPTION

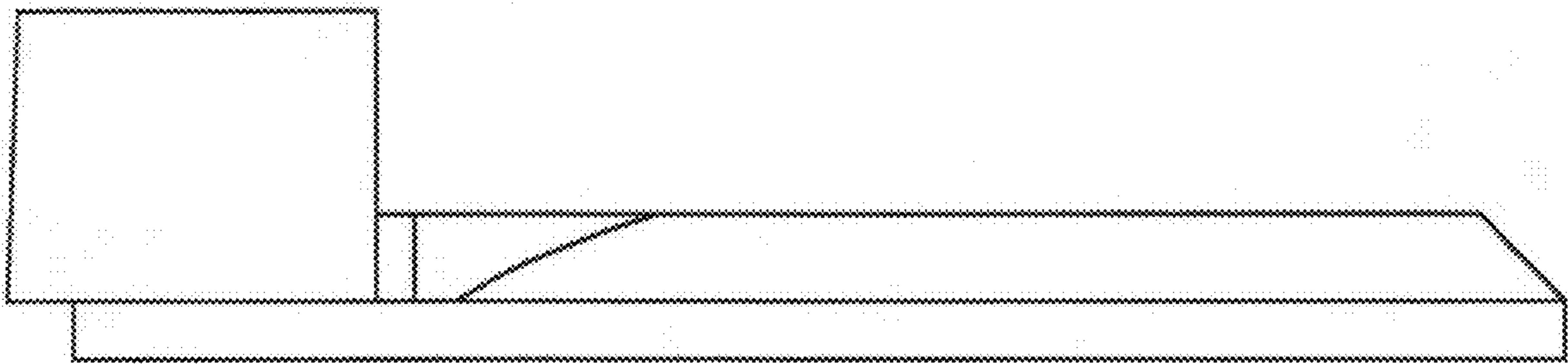
1. Chip for the analysis of biochemical reactions

- Fig. 1.1 is a front view thereof;
- Fig. 1.2 is a back view thereof;
- Fig. 1.3 is a top view thereof;
- Fig. 1.4 is a bottom view thereof;
- Fig. 1.5 is a right view thereof;
- Fig. 1.6 is a left view thereof;
- Fig. 1.7 is a cross sectional view thereof; and
- Fig. 1.8 is a perspective view thereof.

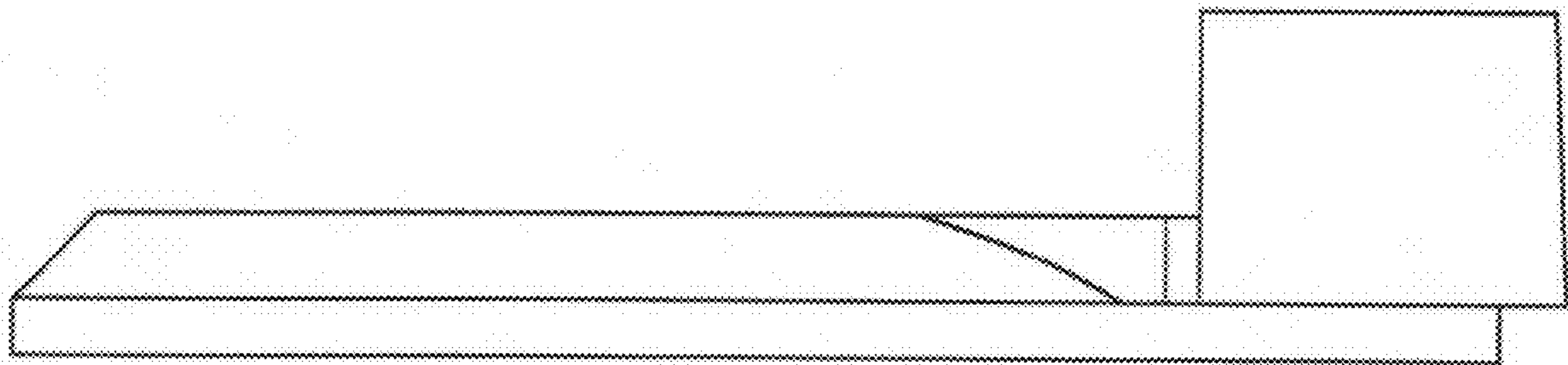
1 Claim, 8 Drawing Sheets



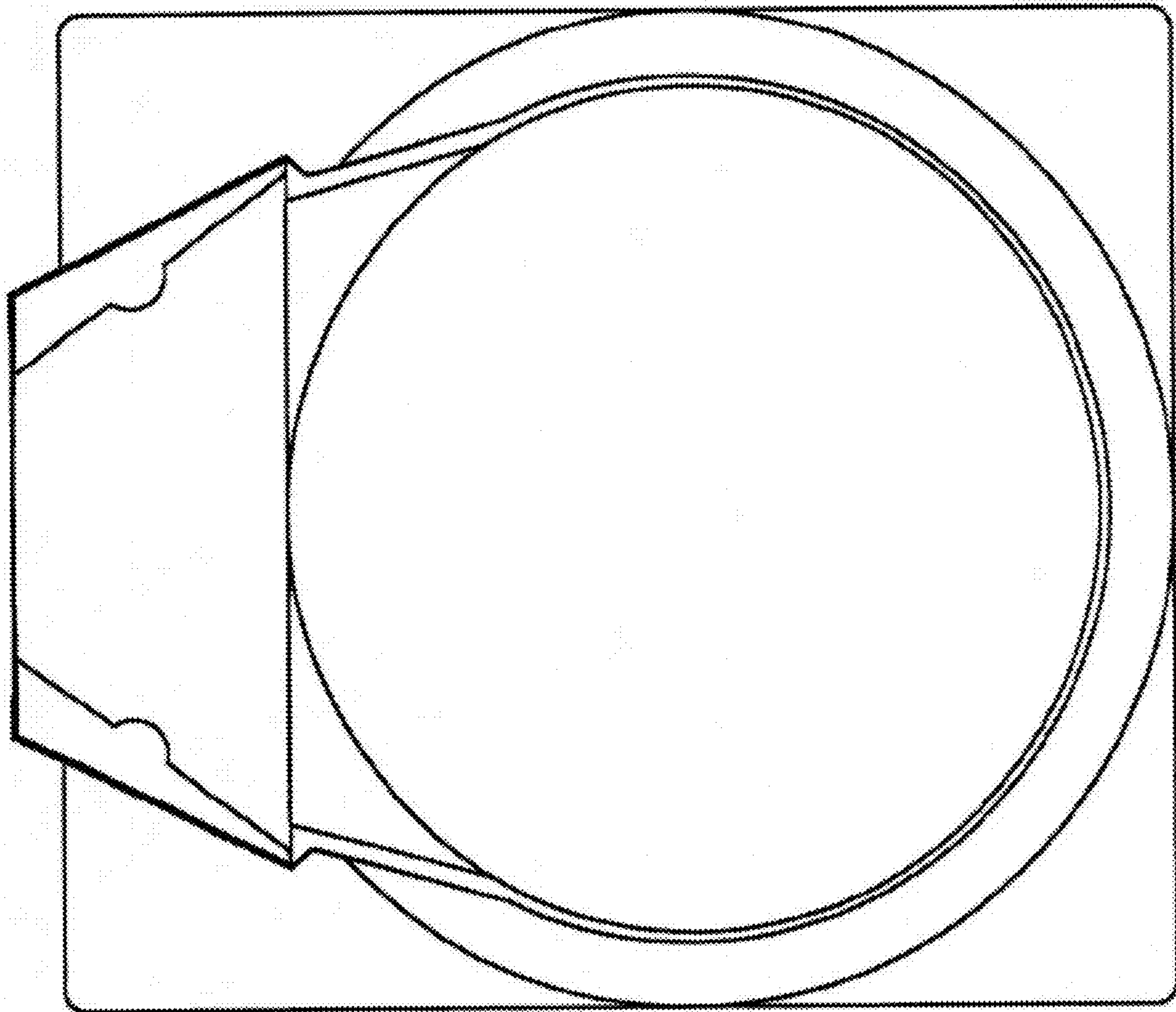
1.1



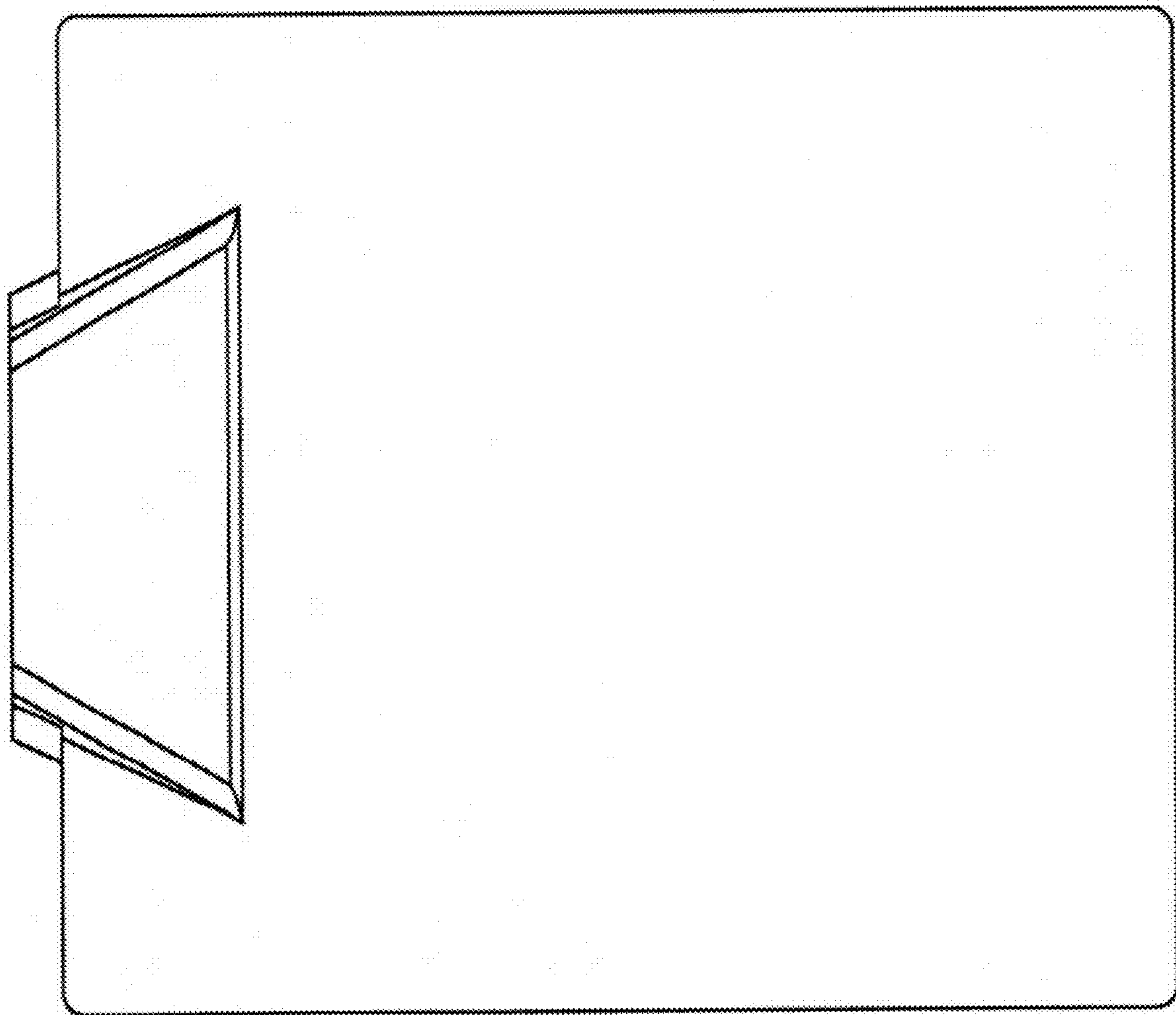
1.2



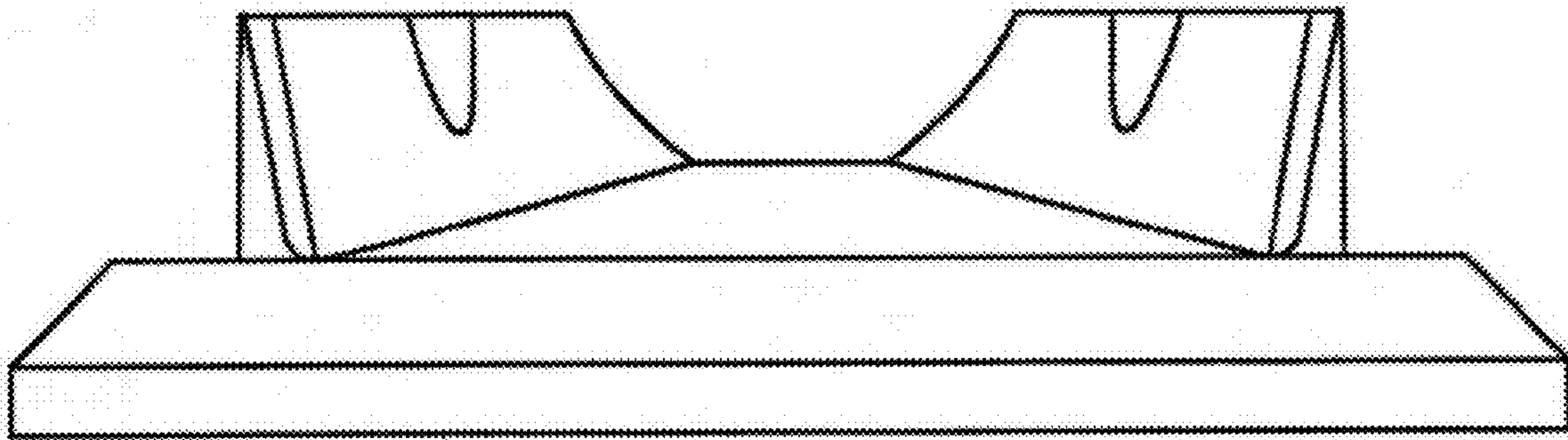
1.3



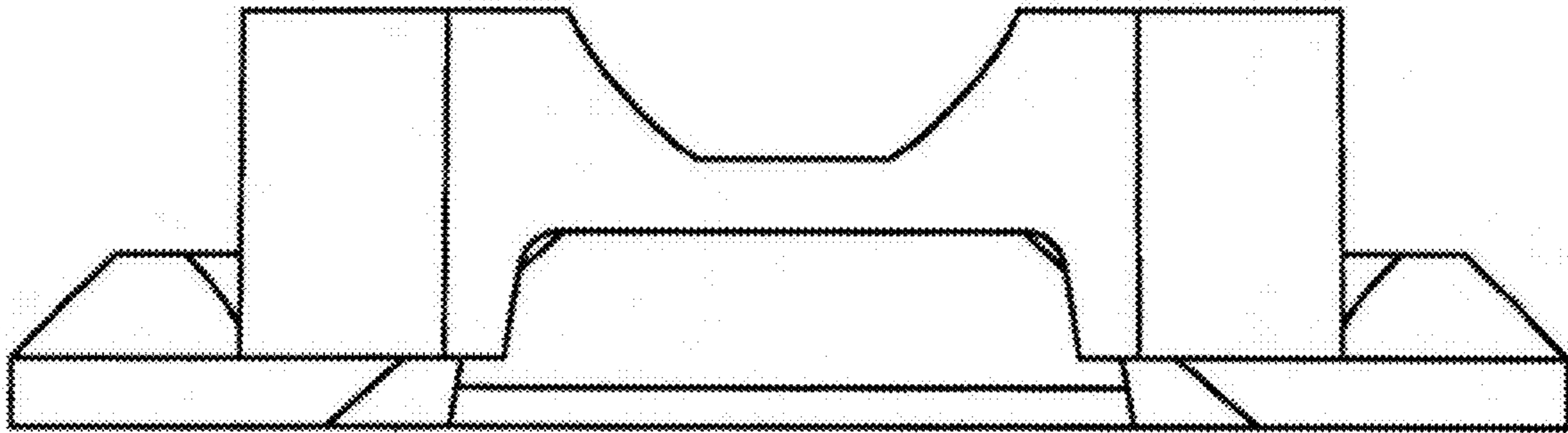
14



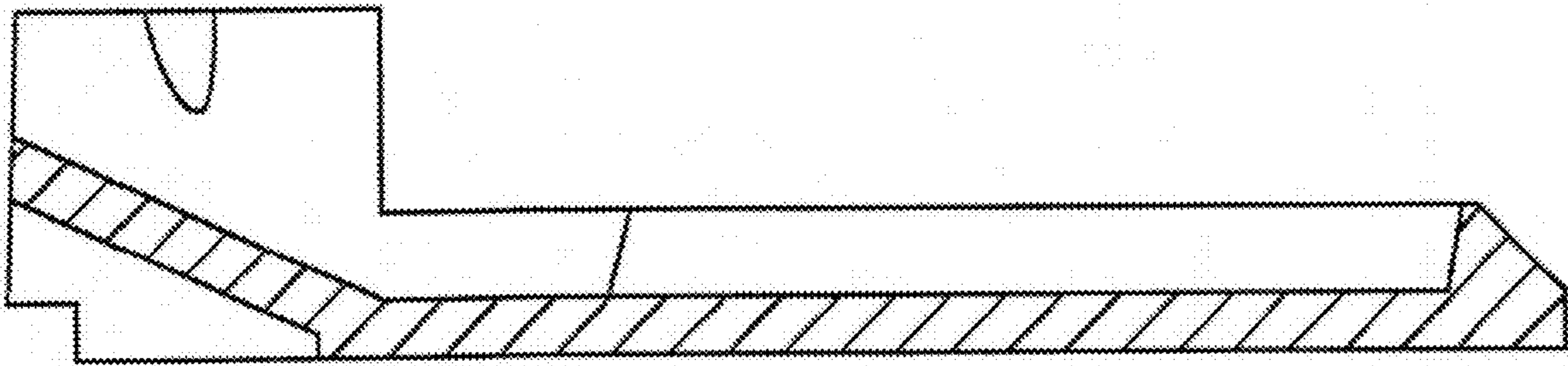
1.5



1.6



1.7



1.8

