



US00D916307S

(12) **United States Design Patent** (10) **Patent No.:** **US D916,307 S**
Xiong (45) **Date of Patent:** **** Apr. 13, 2021**

(54) **MESSAGE GUN**
(71) Applicant: **Jieqing Xiong**, Shenzhen (CN)
(72) Inventor: **Jieqing Xiong**, Shenzhen (CN)
(**) Term: **15 Years**
(21) Appl. No.: **29/680,886**
(22) Filed: **Feb. 21, 2019**
(51) **LOC (13) Cl.** **28-03**
(52) **U.S. Cl.**
USPC **D24/215**
(58) **Field of Classification Search**
USPC 601/15, 18, 19, 27, 28, 29, 30, 31, 32,
601/46, 47, 48, 52, 72, 99, 112, 113, 118,
601/135, 137, DIG. 12, DIG. 14, DIG. 15,
601/DIG. 16, DIG. 17; D24/200, 211,
D24/212, 213, 214, 215; D30/160;
600/38, 39, 40, 41; D8/14.1
CPC A61H 7/001; A61H 39/04; A61H 7/007;
A61H 2015/0014; A61B 17/1325
See application file for complete search history.

(56) **References Cited**

U.S. PATENT DOCUMENTS

5,197,459 A * 3/1993 Henkin A61H 33/027
601/112
D388,175 S * 12/1997 Lie D24/215
D407,498 S * 3/1999 Cooper D24/214
D430,938 S * 9/2000 Lee D24/214
D435,913 S * 1/2001 Harris D24/214
D448,852 S * 10/2001 Engelen D24/215
D553,252 S * 10/2007 Masuda D24/214
D555,255 S * 11/2007 Masuda D24/214
D609,817 S * 2/2010 Piller D24/215
D706,433 S * 6/2014 Fuhr D24/200
D825,073 S * 8/2018 Lenke D24/215
D836,792 S * 12/2018 Fuhner D24/215
D838,378 S * 1/2019 Cao D24/215
D847,362 S * 4/2019 Tang D24/215
D847,364 S * 4/2019 Lee D24/215

D848,013 S * 5/2019 Fuhner D24/215
D848,632 S * 5/2019 Fuhner D24/215
10,314,762 B1 * 6/2019 Marton A61H 1/008
D855,822 S * 8/2019 Marton D24/215
D859,681 S * 9/2019 Tang D24/214
D863,571 S * 10/2019 Yang D24/200
D865,209 S * 10/2019 Nichols D24/214
2002/0188233 A1 * 12/2002 Denyes A61H 19/34
601/46
2006/0058714 A1 * 3/2006 Rhoades A46B 15/0034
601/72

(Continued)

OTHER PUBLICATIONS

Amazon, "Youlism Muscle Massage Gun", Mar. 5, 2019. https://www.amazon.com/Youlism-Muscle-Massage-Gun-Percussion/dp/B082CZ9THS/ref=cm_cr_ar_p_d_product_top?ie=UTF8. Shown on p. 1. (Year: 2019).*

Primary Examiner — Cynthia Ramirez
Assistant Examiner — Michael A Maharajh

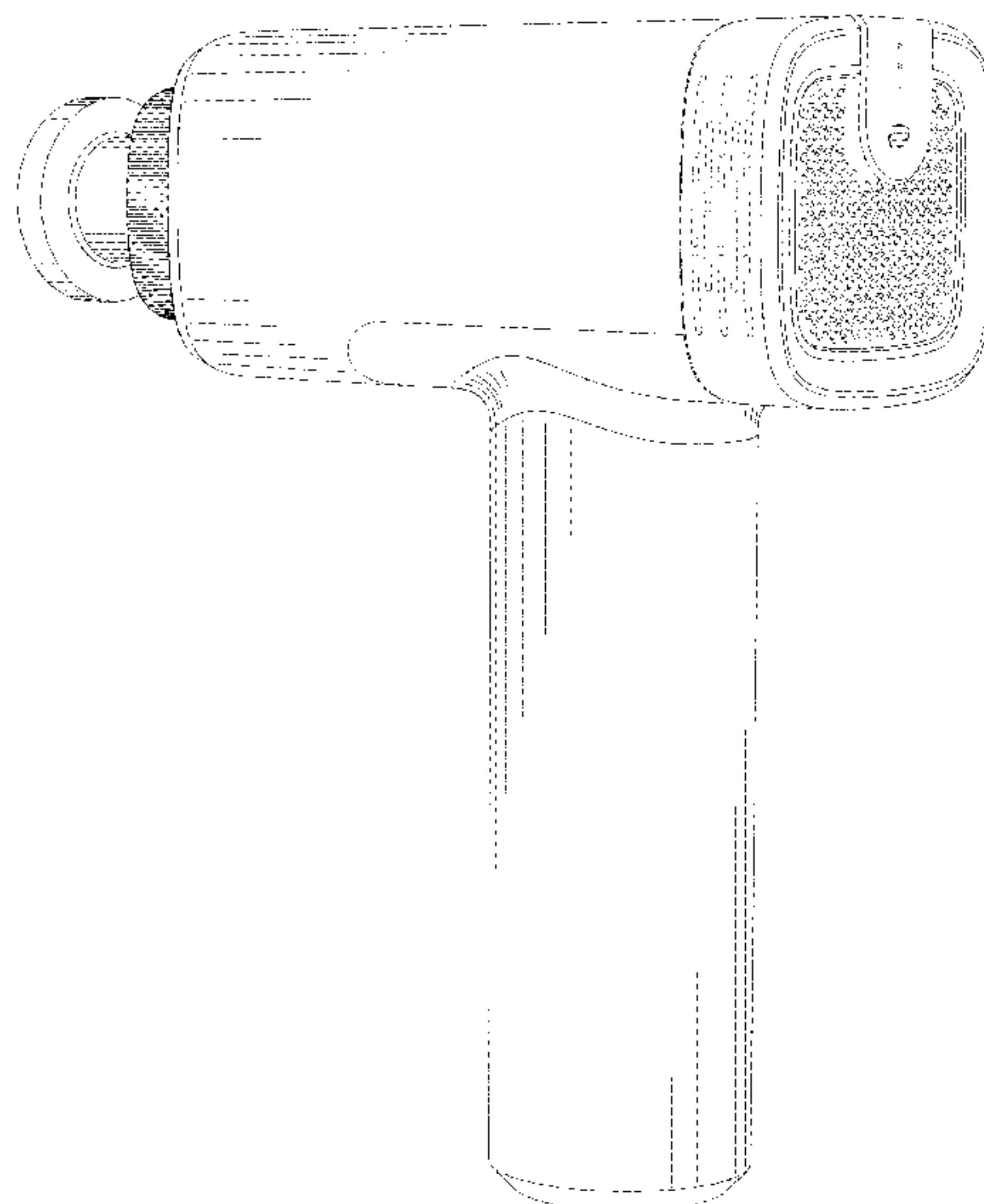
(57) **CLAIM**

The ornamental design for a massage gun, as shown and described.

DESCRIPTION

FIG. 1 is a rear perspective view of the massage gun showing my new design;
FIG. 2 is a front perspective view thereof;
FIG. 3 is a rear elevational view thereof;
FIG. 4 is a front elevational view thereof;
FIG. 5 is a right side elevational view thereof;
FIG. 6 is a left side elevational view thereof;
FIG. 7 is a top plan view thereof; and,
FIG. 8 is a bottom plan view thereof.
The broken lines shown in the figures are for the purpose of illustrating portions of the massage gun, which form no part of the claimed design.

1 Claim, 8 Drawing Sheets



(56)

References Cited

U.S. PATENT DOCUMENTS

2010/0160841 A1* 6/2010 Wu A61H 7/004
601/135
2010/0274162 A1* 10/2010 Evans A61F 7/007
601/15
2011/0009783 A1* 1/2011 Dverin A61B 18/14
601/137
2013/0046212 A1* 2/2013 Nichols A46B 7/04
601/18
2015/0119771 A1* 4/2015 Roberts A61H 39/04
601/135

* cited by examiner

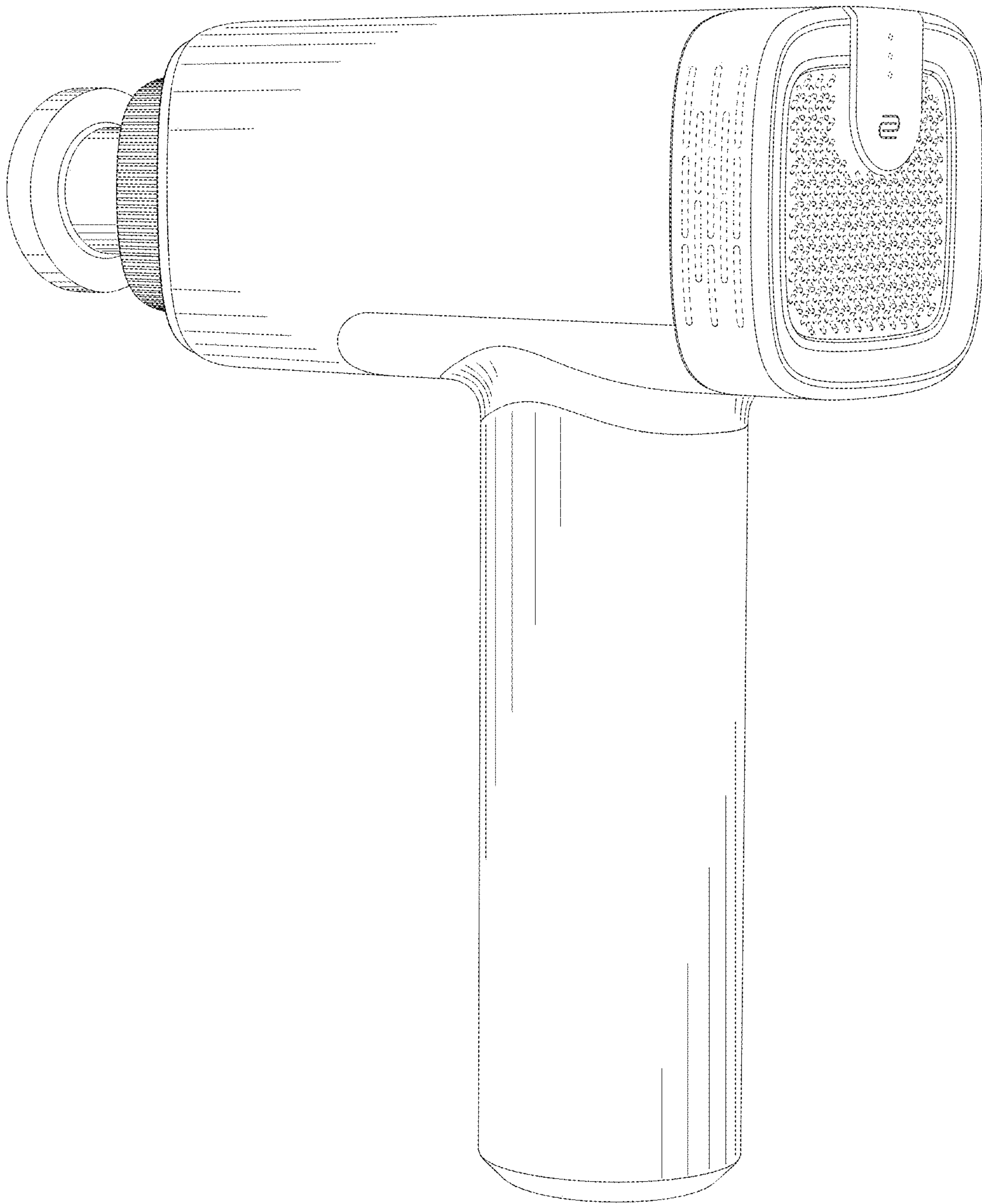


FIG.1

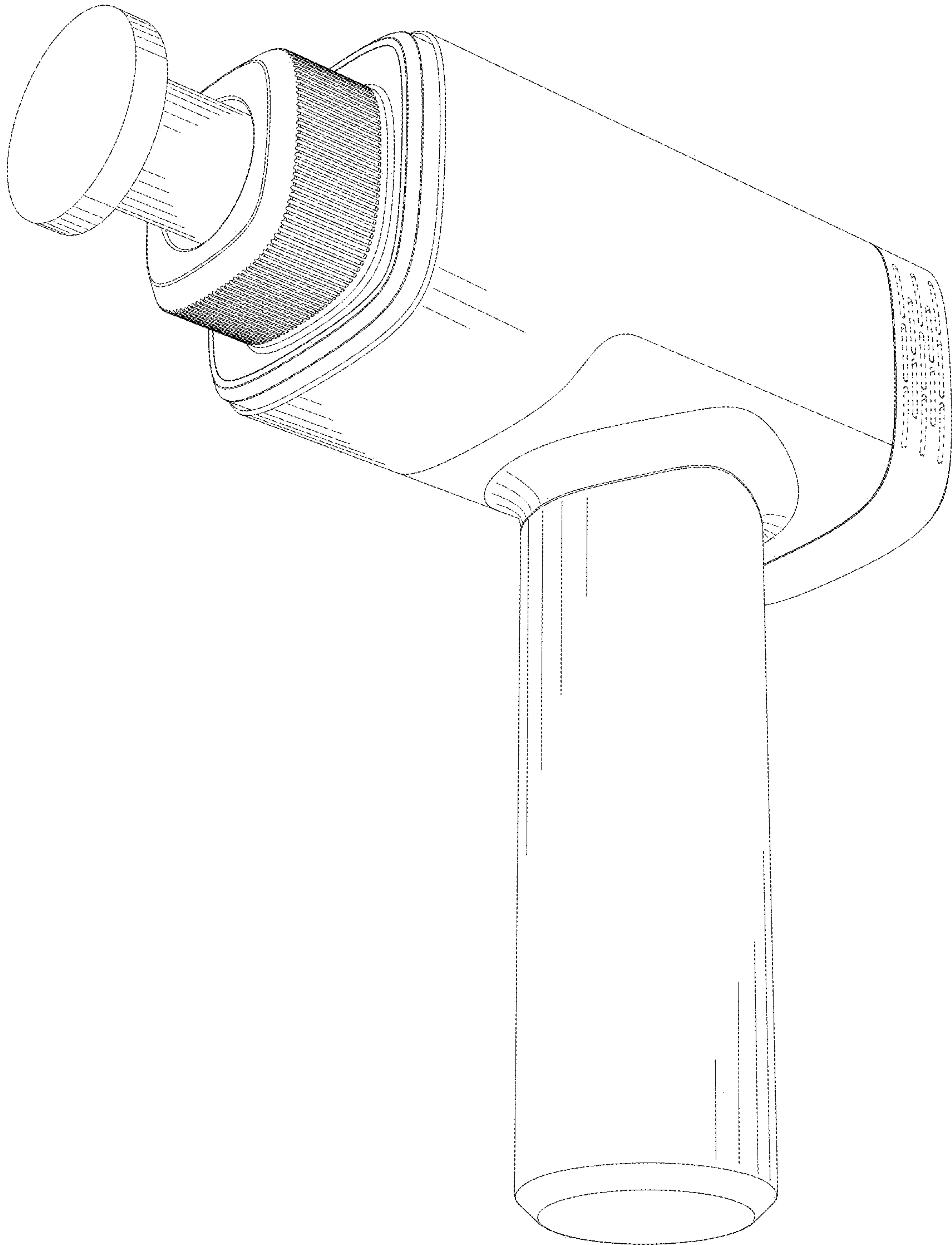


FIG.2

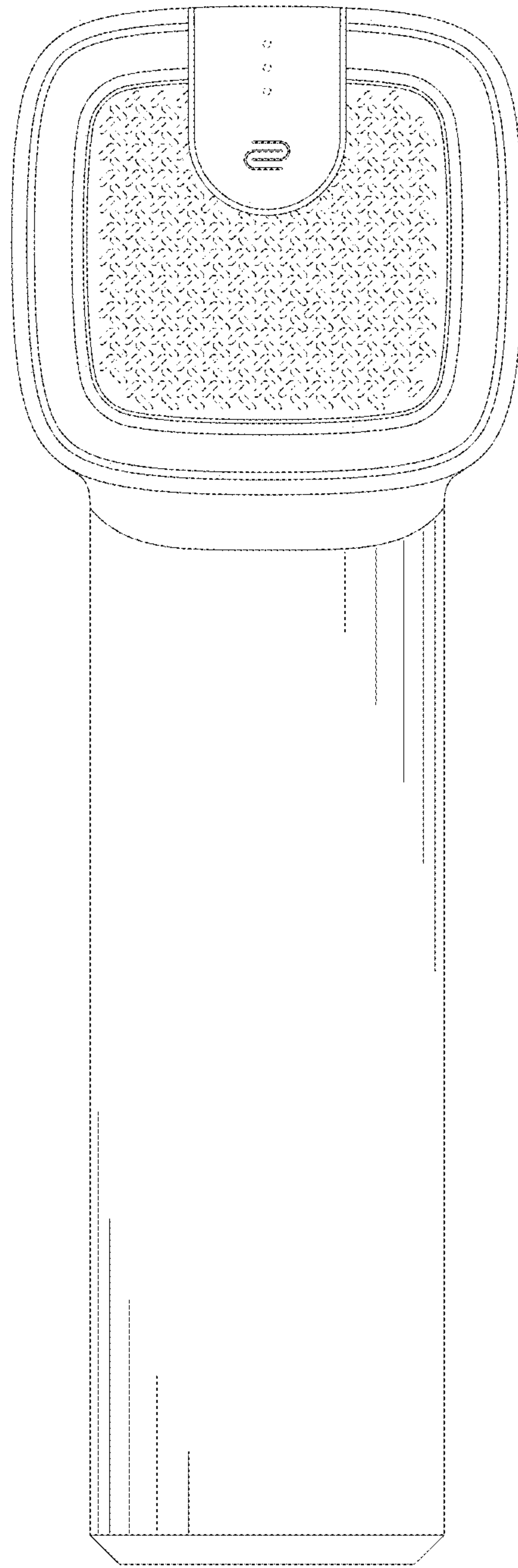


FIG.3

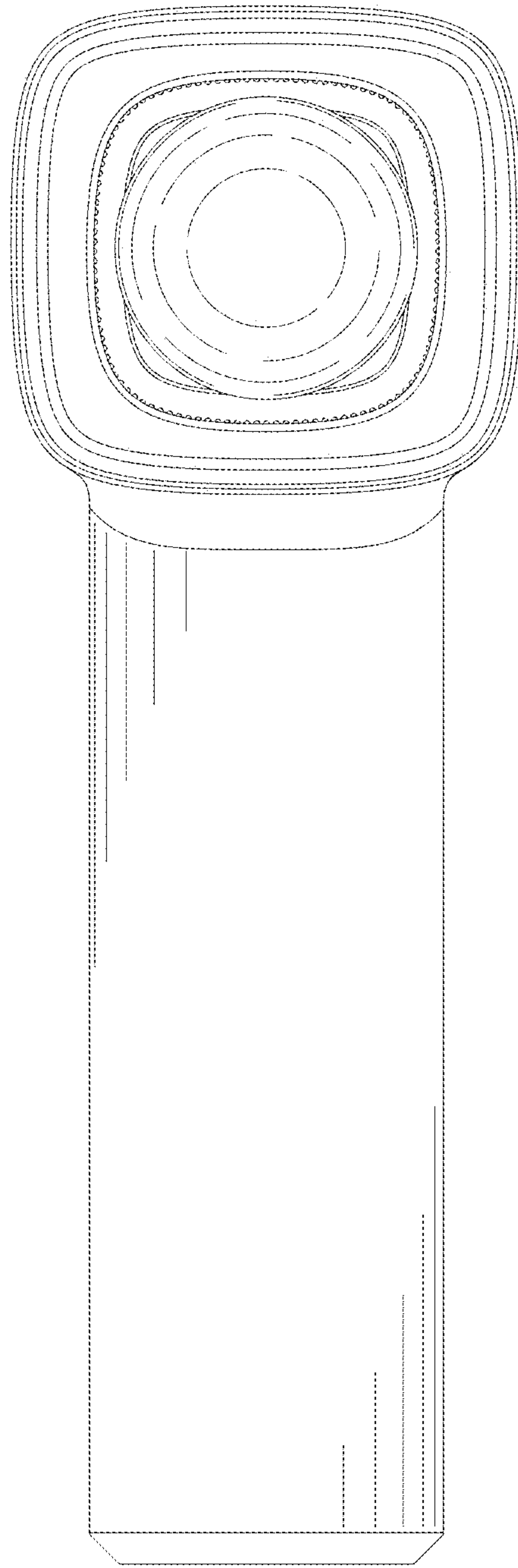


FIG.4

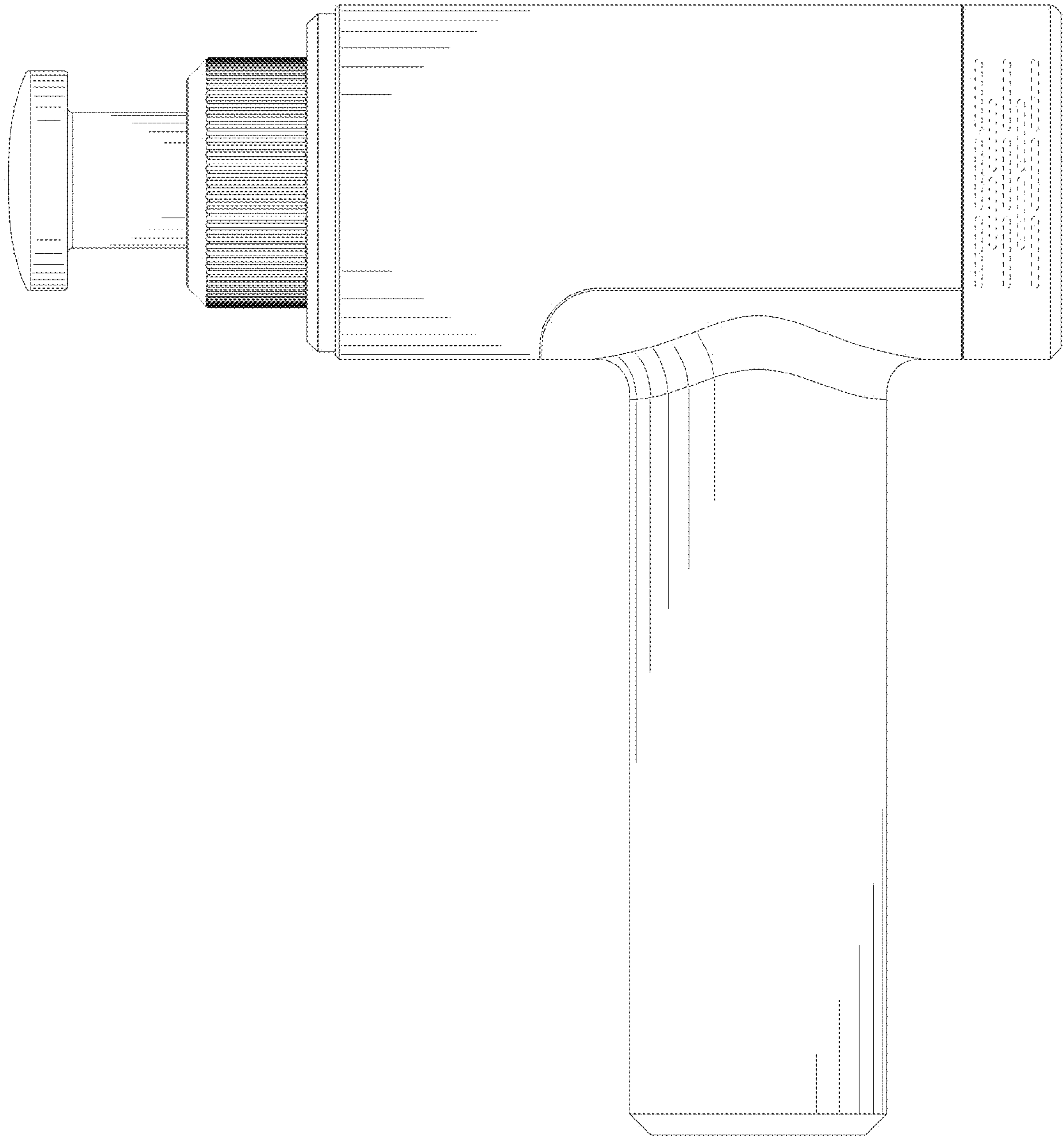


FIG. 5

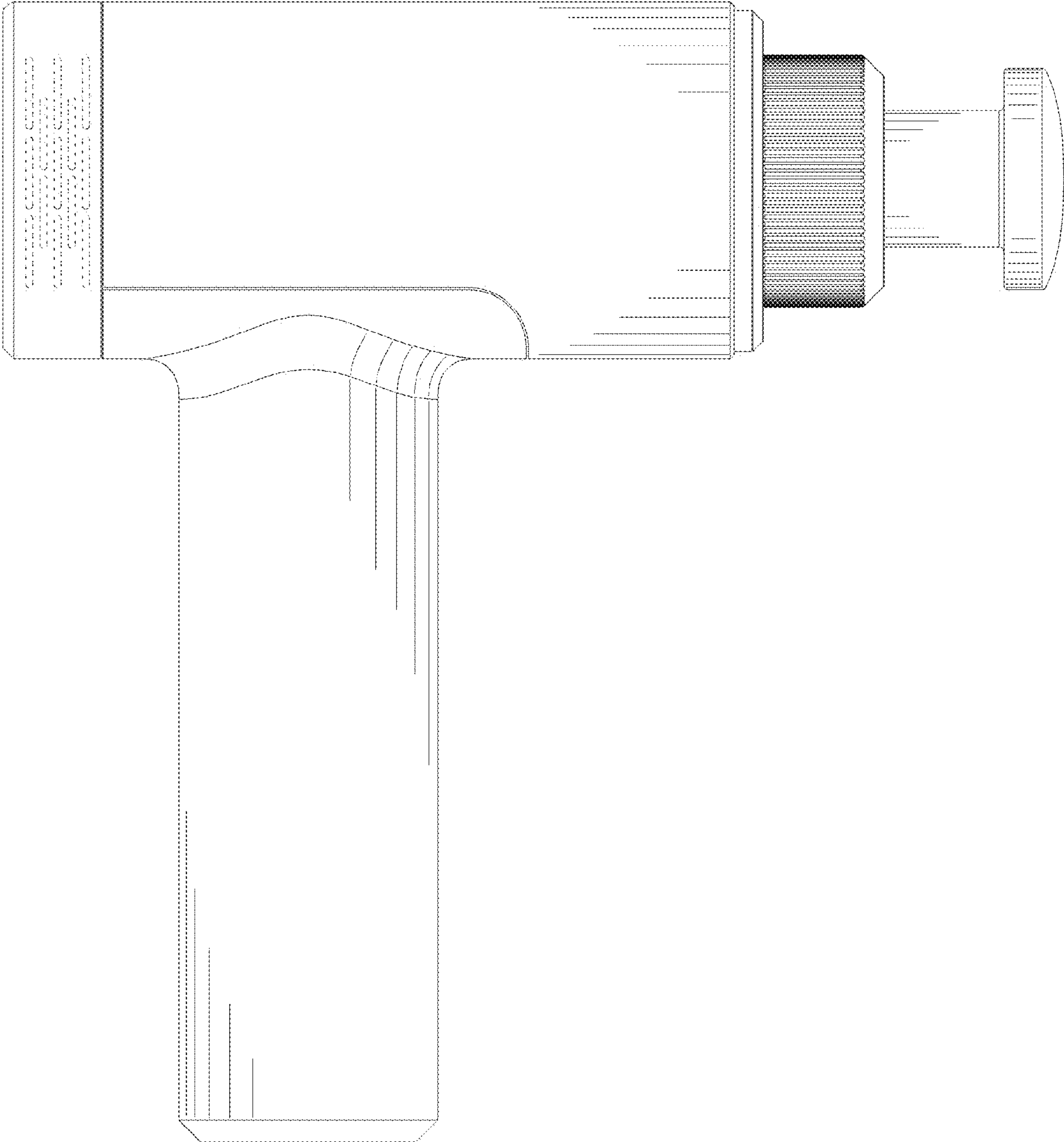


FIG.6

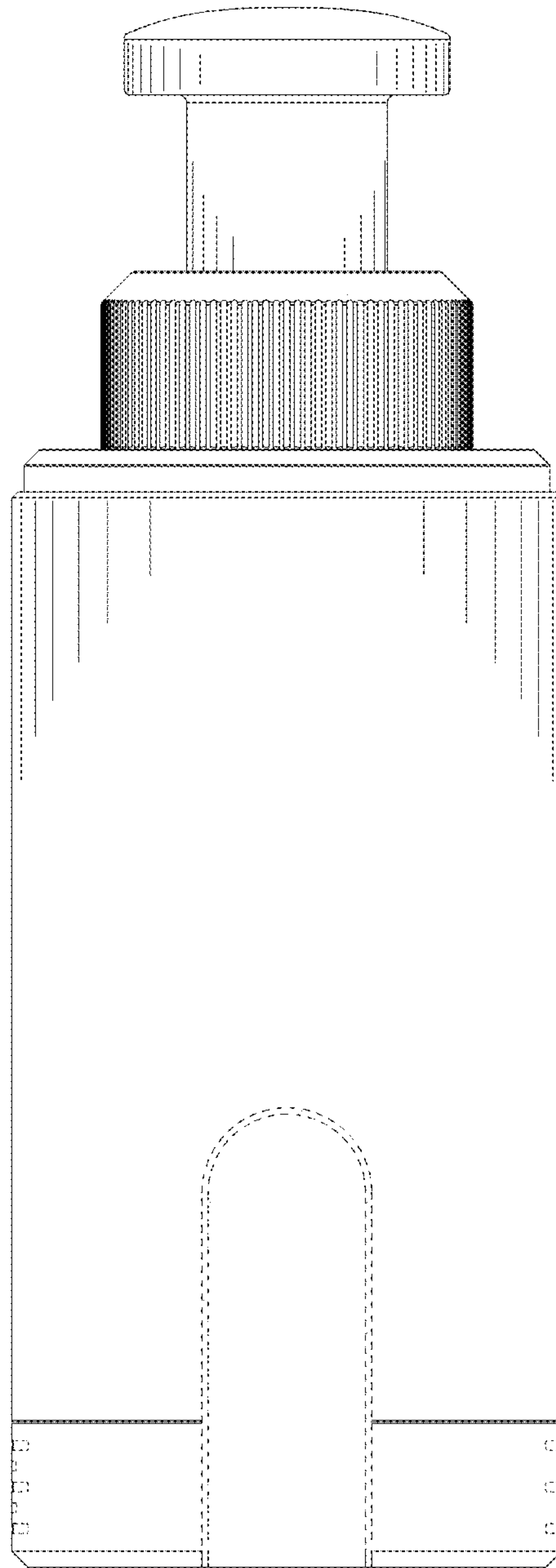


FIG.7

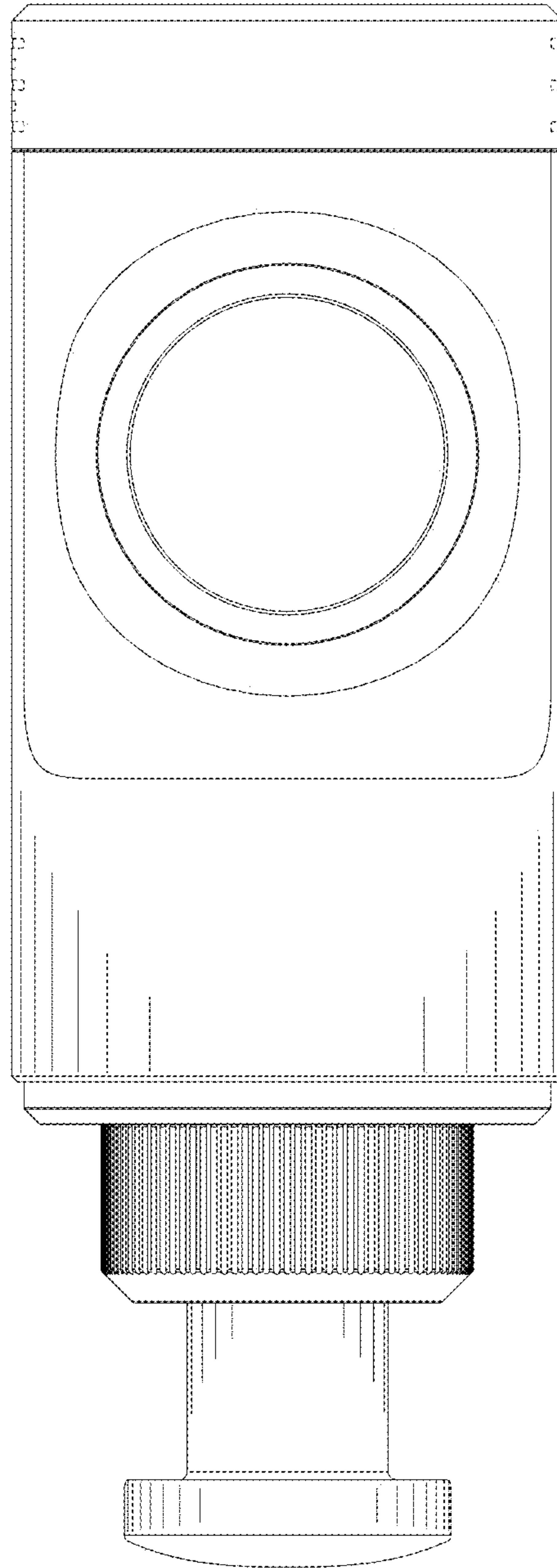


FIG.8