



US00D916303S

(12) **United States Design Patent**
Taylor

(10) **Patent No.:** **US D916,303 S**

(45) **Date of Patent:** **** Apr. 13, 2021**

(54) **NECK GASKET FOR FACE SOAKING
DEVICE**

(71) Applicant: **John Richard Taylor**, Arp, TX (US)

(72) Inventor: **John Richard Taylor**, Arp, TX (US)

(**) Term: **15 Years**

(21) Appl. No.: **29/697,818**

(22) Filed: **Jul. 11, 2019**

Related U.S. Application Data

(60) Division of application No. 29/612,665, filed on Aug. 2, 2017, now Pat. No. Des. 864,403, and a
(Continued)

(51) **LOC (13) Cl.** **24-01**

(52) **U.S. Cl.**

USPC **D24/205**

(58) **Field of Classification Search**

USPC D24/201–205, 213, 206, 200, 158, 189;
D23/276–278, 280.1–280.3; D6/360,
D6/336, 338, 364, 365, 708, 708.17,
D6/708.18, 716, 716.1; D28/56, 61, 7, 4;
4/557, 558; D29/108; 128/858; 211/50,
211/70.1, 72; 248/174, 152; 2/15;
428/79; D5/4, 7, 56, 58, 59, 61, 63, 99;
D20/22

(Continued)

(56) **References Cited**

U.S. PATENT DOCUMENTS

1,446,841 A 2/1923 Dietsche
2,475,259 A 4/1945 Singleton

(Continued)

FOREIGN PATENT DOCUMENTS

EP 0930033 A1 7/1999
EP 2868218 A1 6/2015

(Continued)

OTHER PUBLICATIONS

Curved scrapers, posted at veritastools.com, no posting date, retrieved Dec. 2, 2020, online, URL: <http://www.veritastools.com/Products/Page.aspx?p=149> (Year: 2020).*

(Continued)

Primary Examiner — Lilyana Bekic

Assistant Examiner — Mary Shannon Malley

(74) *Attorney, Agent, or Firm* — Eric Kelly

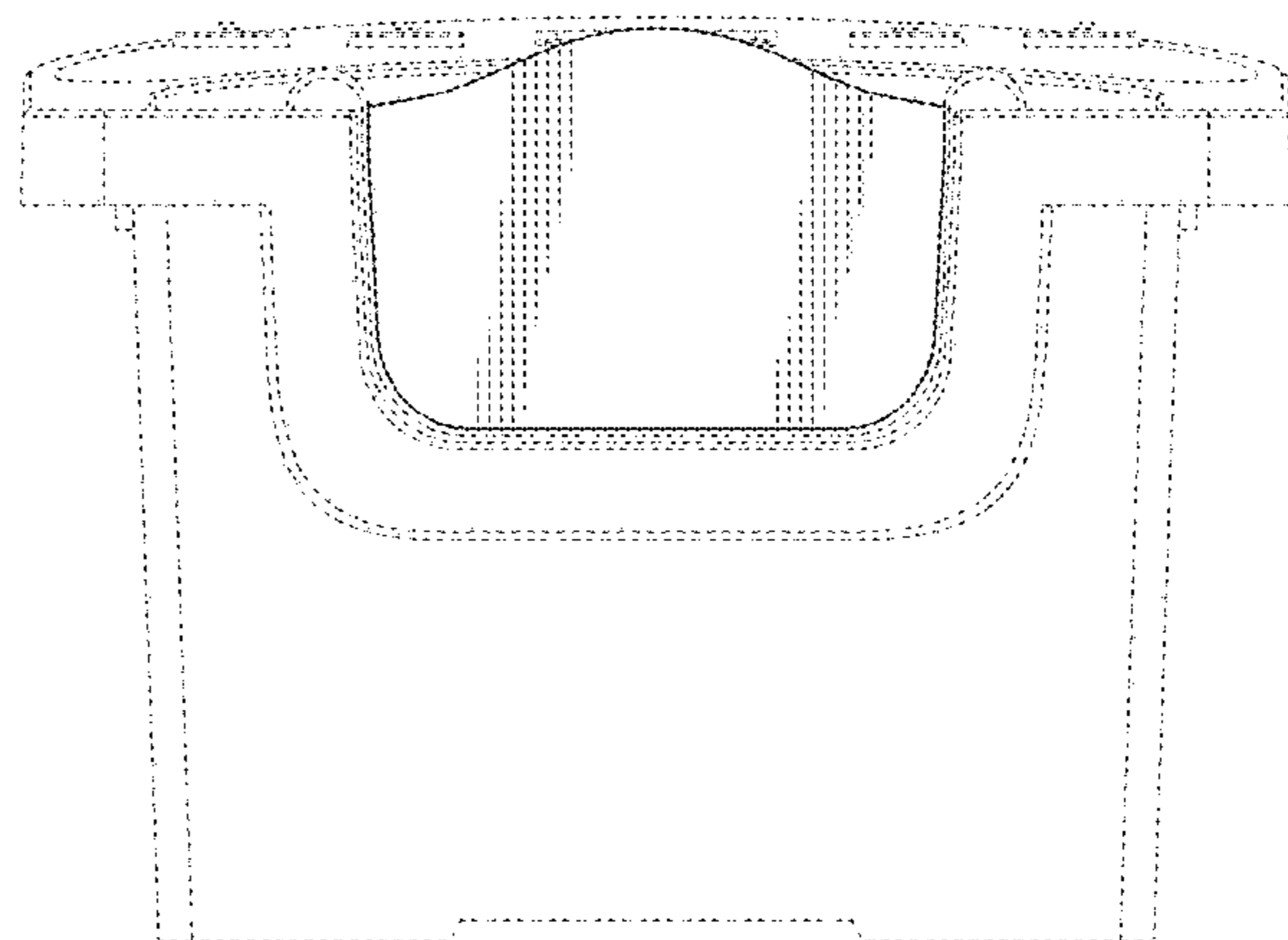
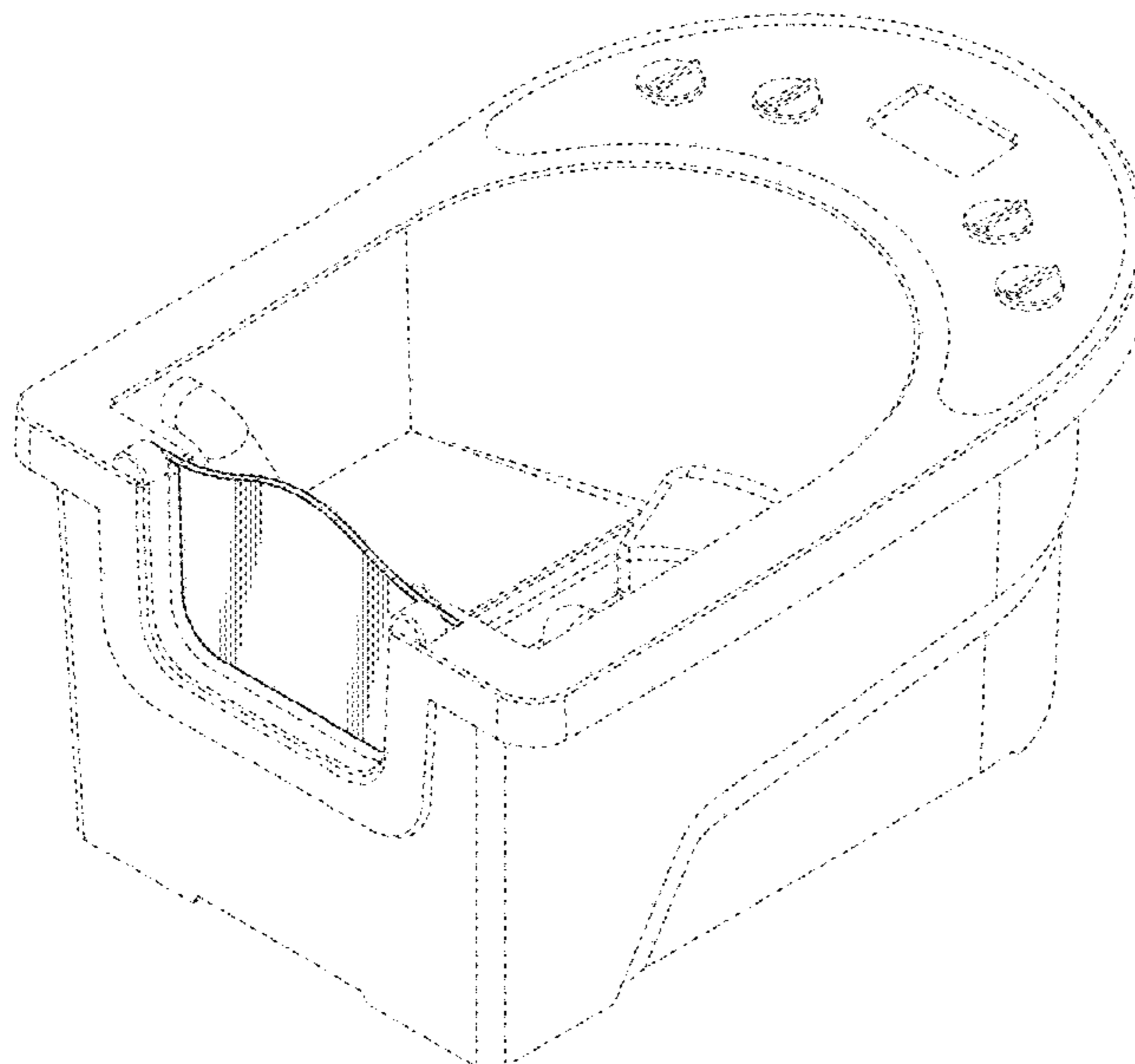
(57) **CLAIM**

What is claimed is the ornamental design for a neck gasket for face soaking device, as shown and described.

DESCRIPTION

FIG. 1 depicts a perspective view of a neck gasket for face soaking device shown in the face soaking device; FIG. 2 depicts a front view of the neck gasket for face soaking device shown in the face soaking device; FIG. 3 depicts a back view of the face soaking device, wherein the neck gasket is not visible; FIG. 4 depicts a left-side view of the neck gasket for face soaking device shown in the face soaking device; FIG. 5 depicts a right-side view of the neck gasket for face soaking device shown in the face soaking device; FIG. 6 depicts a top view of the neck gasket for face soaking device shown in the face soaking device; and, FIG. 7 may depicts a bottom view of the face soaking device, wherein the neck gasket is not visible. The broken lines showing a face soaking device are for the purpose of illustrating environmental subject matter that forms no part of the claimed design.

1 Claim, 7 Drawing Sheets



(56)

References Cited

OTHER PUBLICATIONS

Bin Divider, Black, $\frac{1}{8}$ in. L , PK6, posted at zoro.com, no posting date, retrieved Dec. 2, 2020, online, URL:<https://www.zoro.com/akro-mils-bin-divider-black-18-in-1-pk6-41230/i/G6096377/> (Year: 2020).*

Winco 12-Piece Plastic Dough Scraper, posted at walmart.com, no posting date, retrieved Dec. 2, 2020, online, URL: <https://www.walmart.com/ip/Winco-12-Piece-Plastic-Dough-Scraper/522406170?wmlspartner=wlp&selectedSellerId=14567&&adid=2222222227065511981&w0=&w1=g&w2=c&w3=169625461193&w4=pla-> (Year: 2020).*

The Inside Scalloped Screen Divider, posted at kaiyo.com, no posting date, retrieved Dec. 4, 2020, online, URL: <https://kaiyo.com/the-inside-the-inside-scalloped-screen-divider/> (Year: 2020).*

Making Scalloped Edge Greeting Cards, posted at auntannie.com, no posting date, retrieved Dec. 4, 2020, online, URL: <https://www.auntannie.com/GreetingCards/ScallopedEdge/> (Year: 2020).*

Peeler Modern Glam Foldable 3-Panel Vanity Mirror by Christopher Knight Home, posted at overstock.com, no posting date,

retrieved Dec. 4, 2020, online, URL:<https://www.overstock.com/Home-Garden/Peeler-Modern-Glam-Foldable-3-Panel-Vanity-Mirror-by-Christopher-Knight-Home-25.50-H-x-29.50-W-x-0.60-D/3205387> (Year: 2020).*

Pampered Chef Nylon Pan Scrapers Set of 3 in Brown, posted at amazon.com, available Feb. 24, 2019, retrieved Dec. 4, 2020, online, URL: <https://www.amazon.com/Pampered-Chef-Nylon-Scrapers-Brown/dp/B07P3X1Q5J> (Year: 2019).*

be26-minimal-circle-blur-art-illusion, posted at androidpapers.co, online URL:<http://androidpapers.co/be26-minimal-circle-blur-art-illustration/> (Year: 2019).

CNBTR 5PCS 88mm Universal HCS Flat Semicircle Saw Blades Black, posted at aliexpress.com, online, URL:<https://www.aliexpress.com/item/CNBTR-5PCS-88mm-Universal-HCS-Flat-Semicircle-Saw-Blades-Black/32777274663.html> (Years: 2019).

Find the area of shaded region in FIG. 12.48, where arc(APD, AQB, BRC, and CSD) are semicircles, posted Feb. 8, 2018, posted at sarthaks.com, online, URL:<https://www.sarthaks.com/32495/find-the-area-of-the-shaded-region-in-fig-12-48-where-arc-apd-brc-and-csd-are-semicircles> (Year: 2018).

* cited by examiner

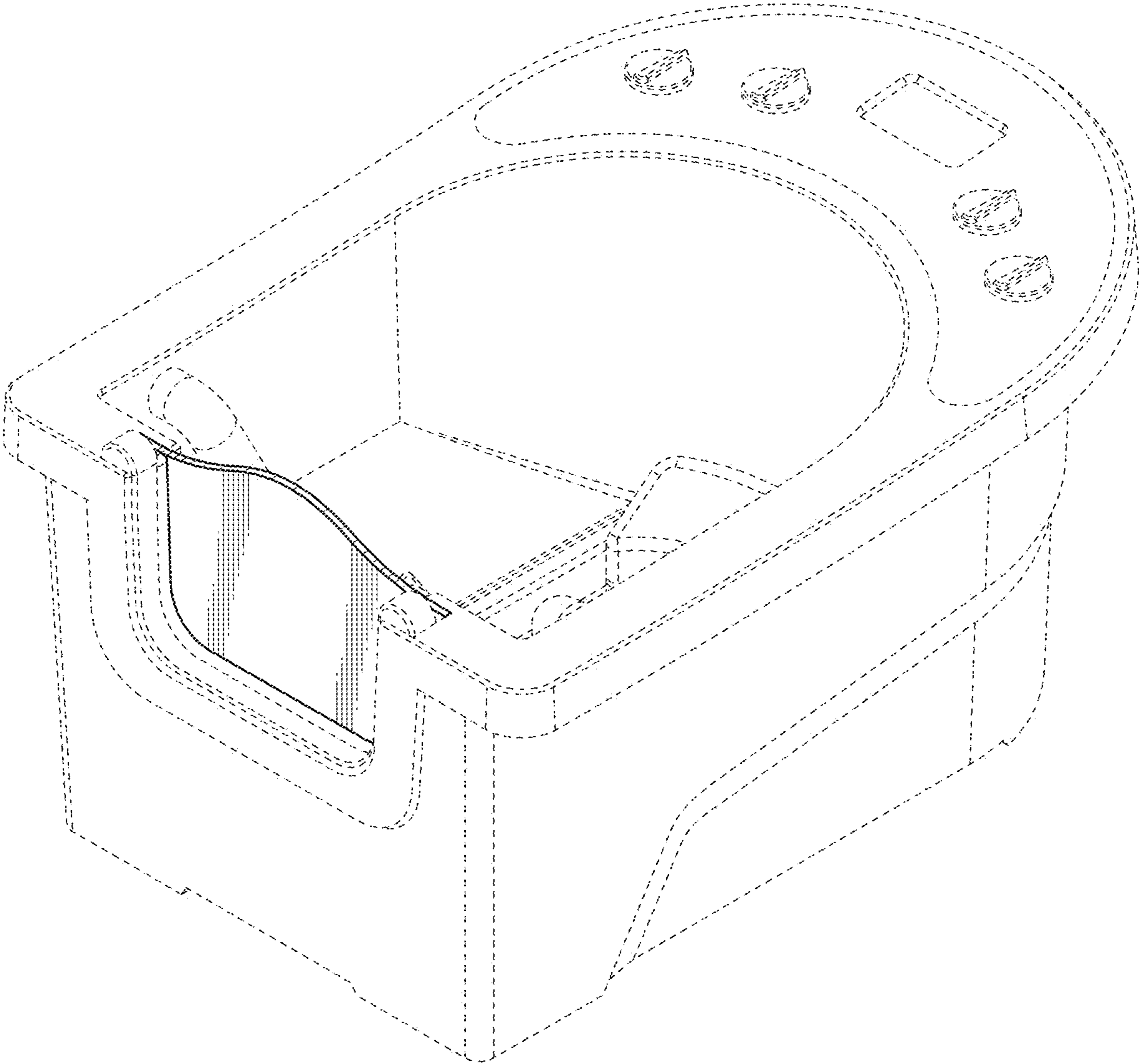


FIG. 1

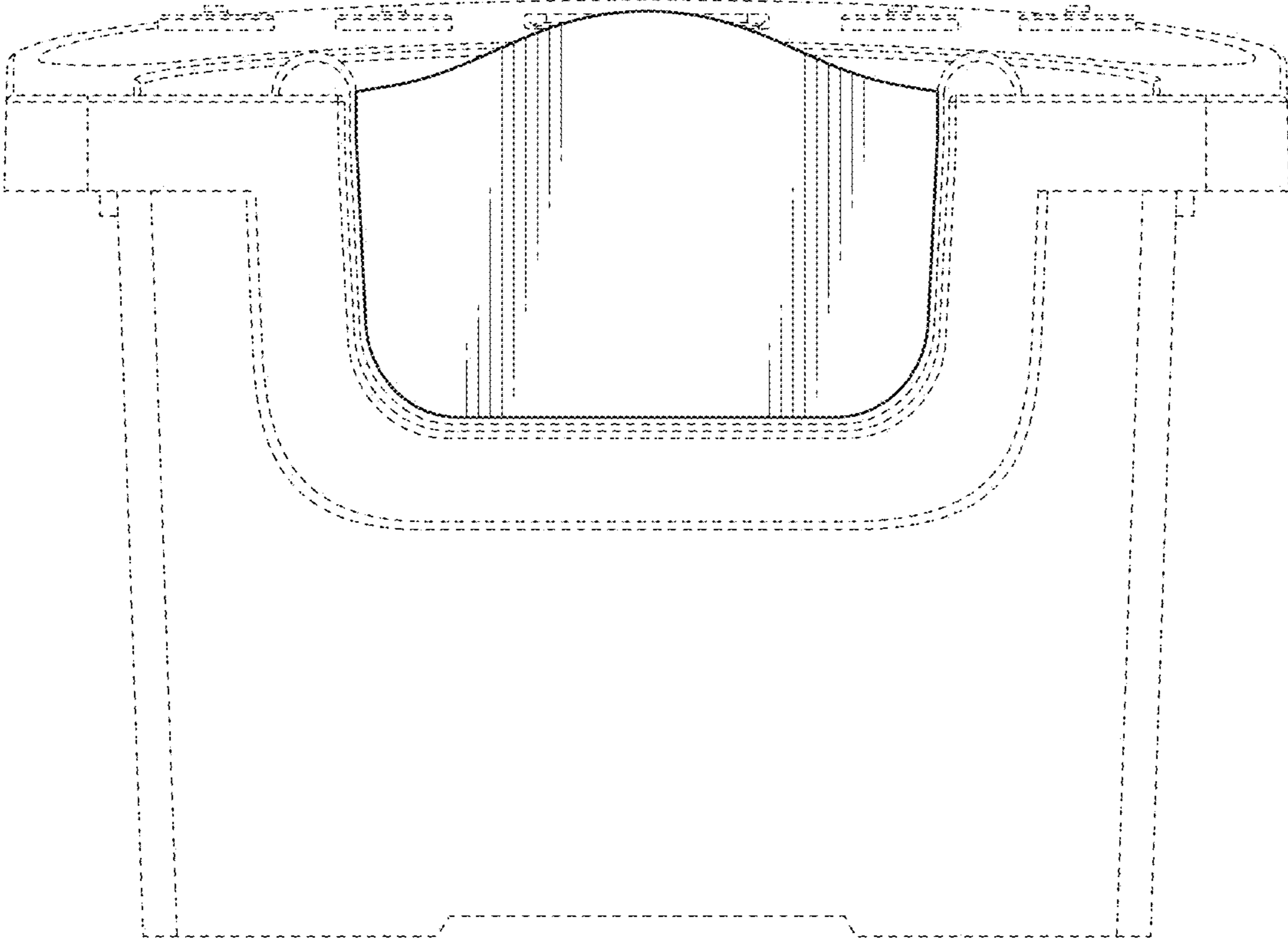


FIG. 2

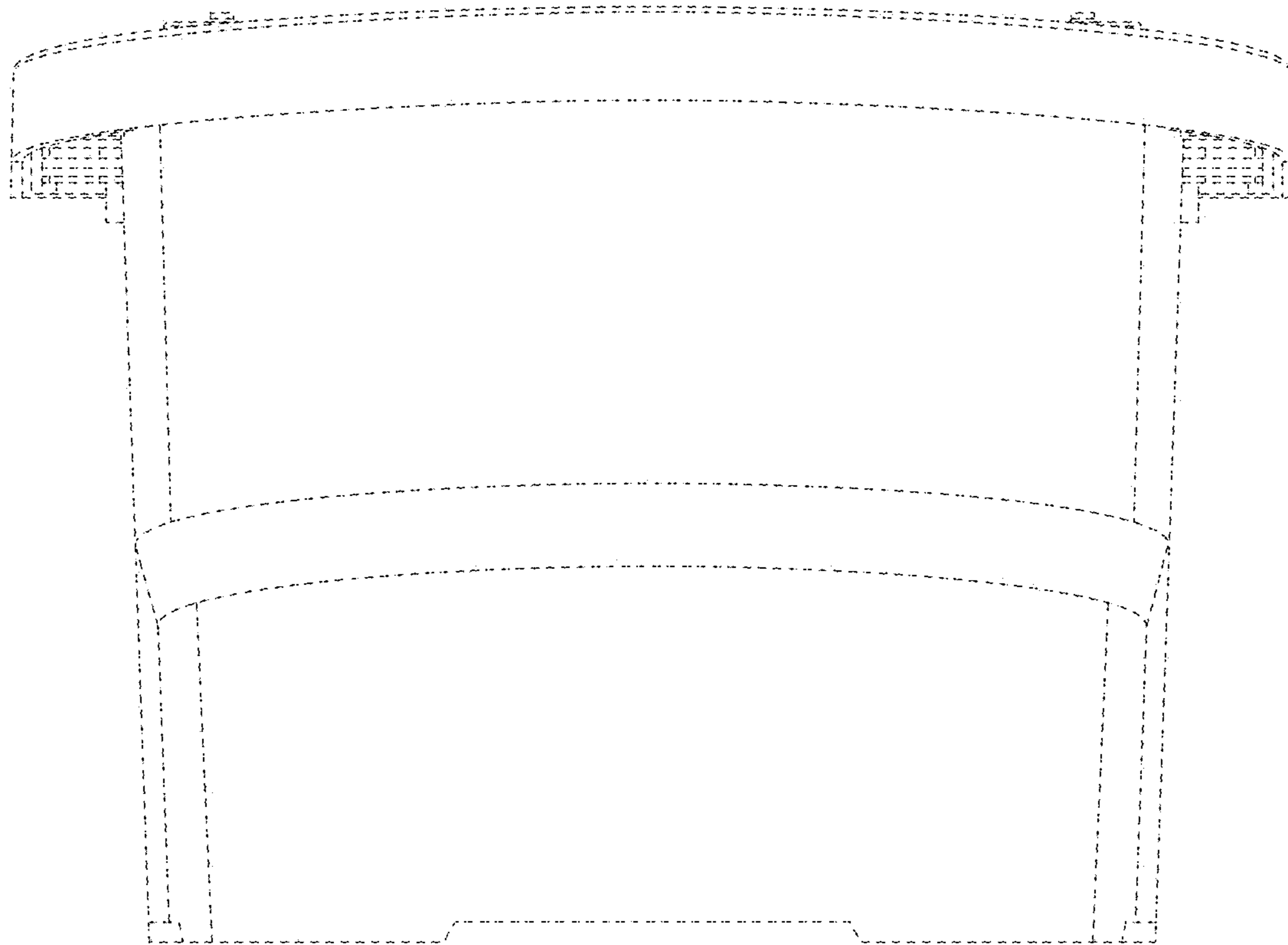


FIG. 3

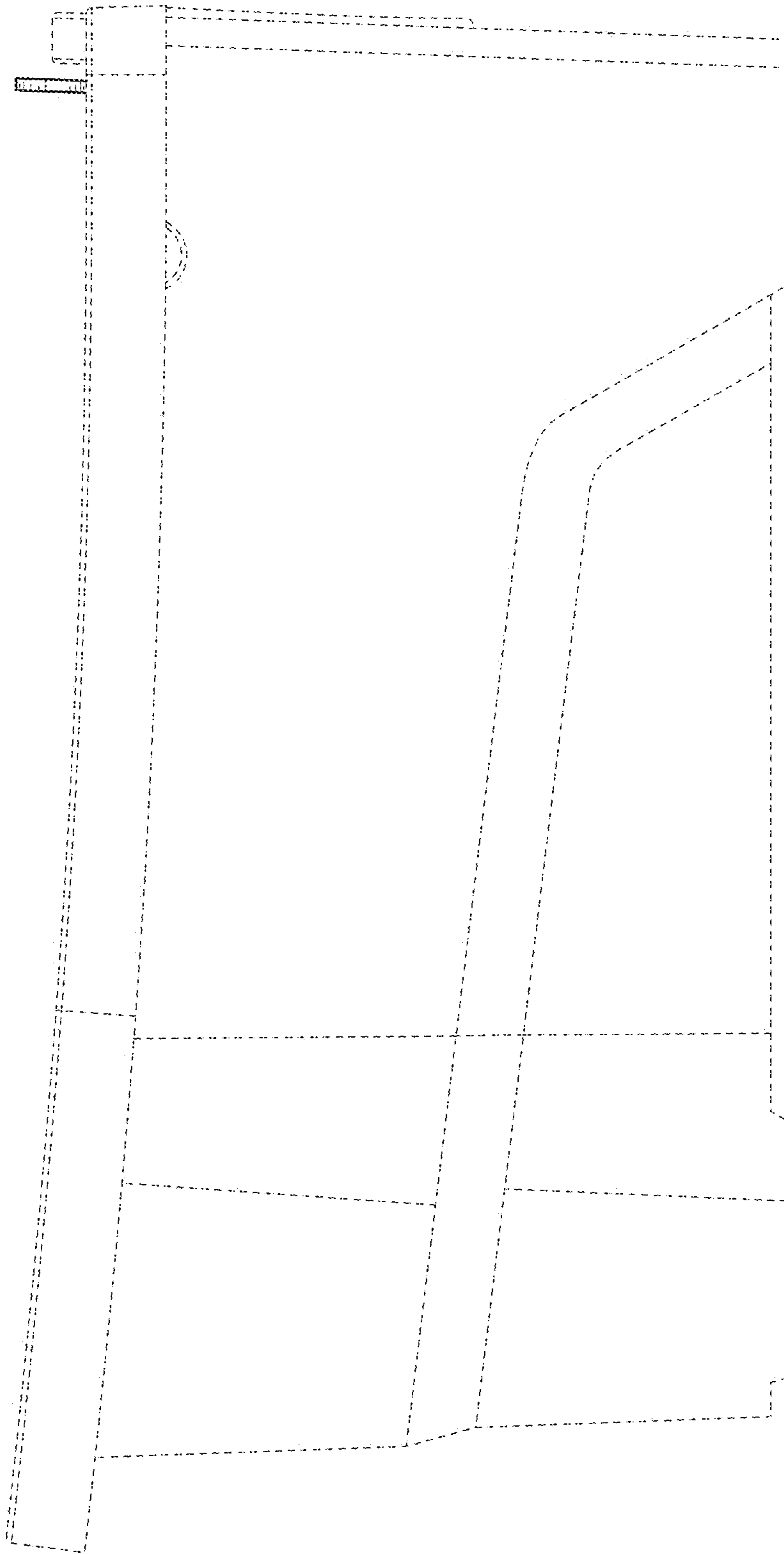


FIG. 4

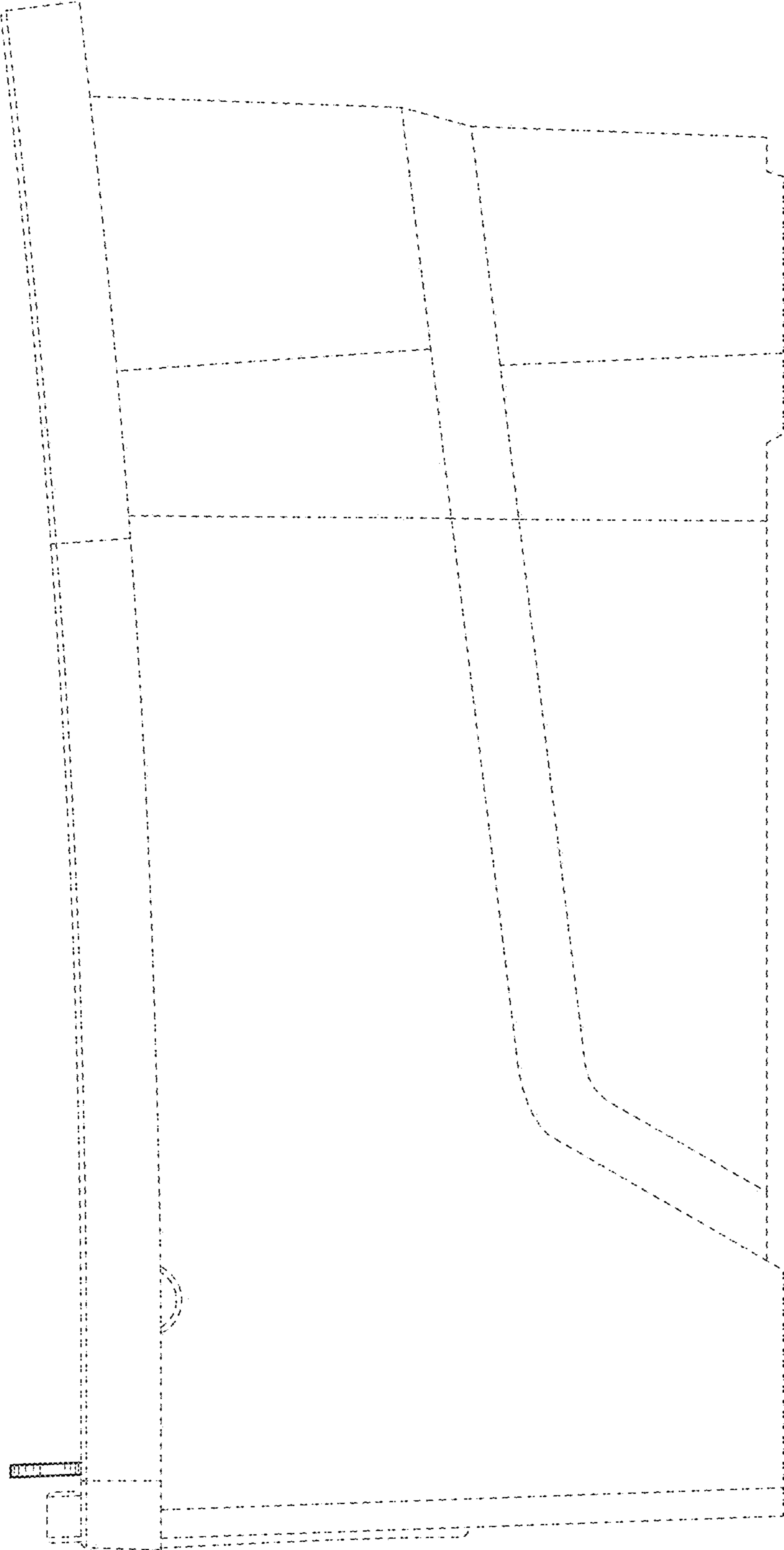


FIG. 5

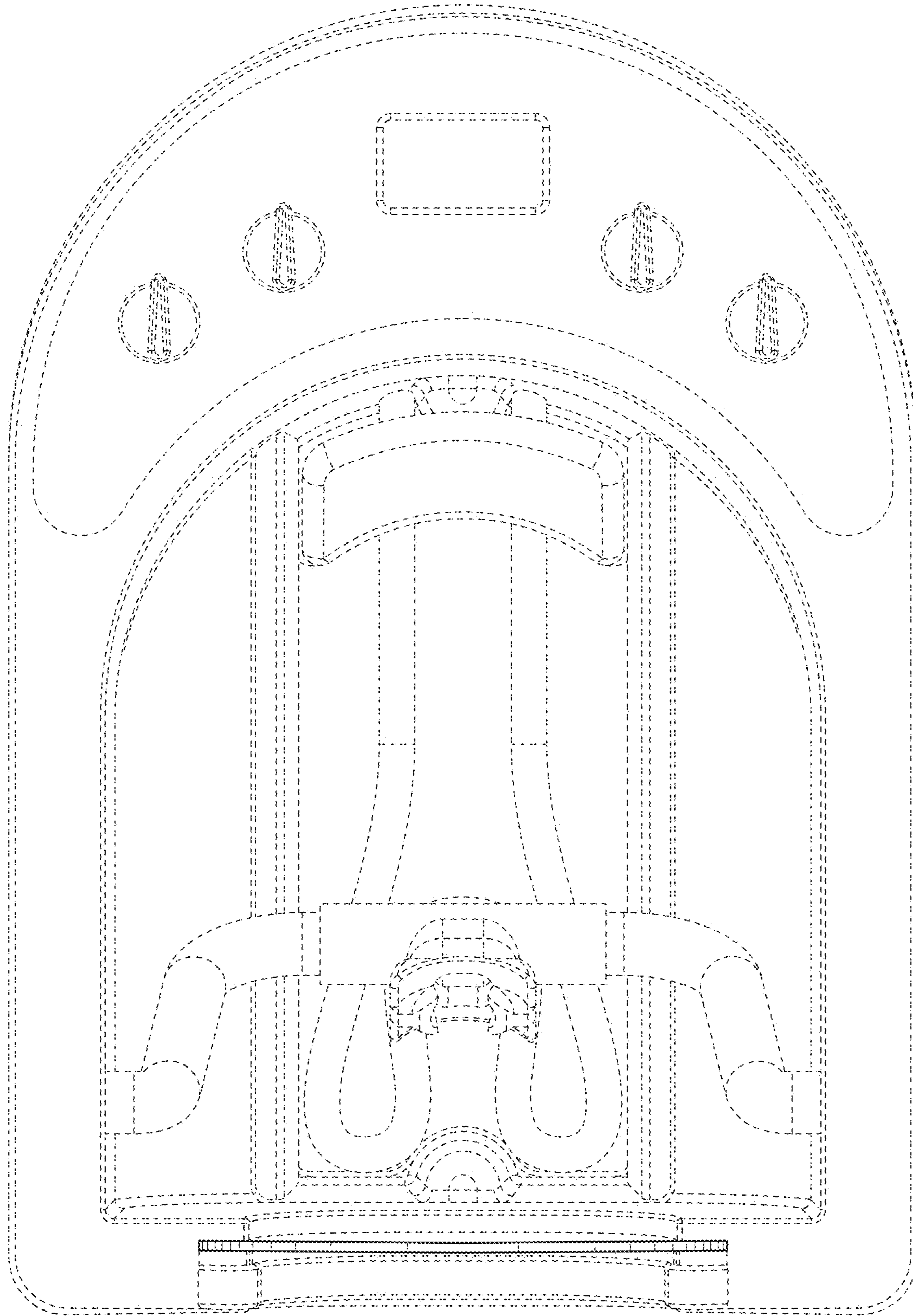


FIG. 6

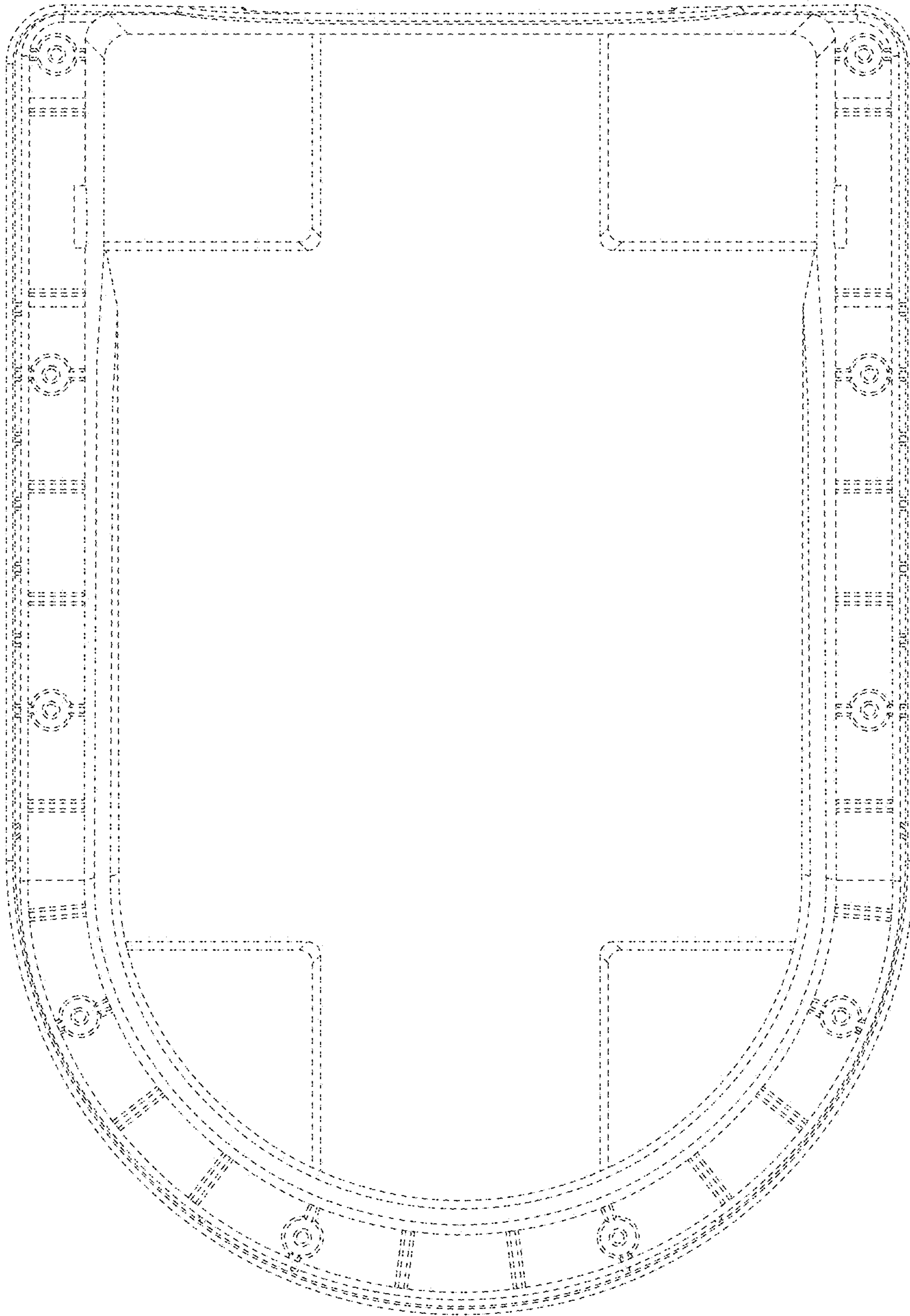


FIG. 7