



US00D916302S

(12) **United States Design Patent**
Yuval

(10) **Patent No.:** **US D916,302 S**
(45) **Date of Patent:** **** Apr. 13, 2021**

(54) **HAND HELD AESTHETIC TREATMENT APPARATUS**

(71) Applicant: **DEAD SEA PREMIER COSMETICS LABORATORIES LTD.,** Shoham (IL)

(72) Inventor: **Yaneev Yuval,** Shoham (IL)

(73) Assignee: **DEAD SEA PREMIER COSMETICS LABORATORIES LTD.,** Shoham (IL)

(**) Term: **15 Years**

(21) Appl. No.: **29/695,110**

(22) Filed: **Jun. 16, 2019**

(51) **LOC (13) Cl.** **28-03**

(52) **U.S. Cl.**
USPC **D24/200; D24/209**

(58) **Field of Classification Search**
USPC D24/200, 209–210, 214–215; 601/1, 46, 601/48, 64, 80; 607/96, 98–99; D4/100, D4/102; D28/7, 63
CPC A61N 1/00; A61N 1/0404; A61N 1/328; A61N 5/0616; A61N 5/06; A61N 5/0617; A61N 5/062; A61N 5/0622; A61N 2005/0643; A61N 2005/0644; A61N 2005/0651; A61N 2005/0652; A61B 18/203; A61B 2018/00452; A61B 2018/1807; A46B 5/021
See application file for complete search history.

(56) **References Cited**

U.S. PATENT DOCUMENTS

D323,034 S * 1/1992 Reinstein D24/200
D582,048 S * 12/2008 Chiu D24/200

D652,523 S * 1/2012 Bradley D24/209
D659,843 S * 5/2012 Wang D24/200
D759,256 S * 6/2016 Chen D24/200
D816,344 S * 5/2018 Tai D4/100
D883,675 S * 5/2020 Wong D4/102
2013/0158547 A1* 6/2013 David A61N 5/0616
606/41
2020/0170399 A1* 6/2020 Truong A61N 5/0616

* cited by examiner

Primary Examiner — Wan Laymon

(74) *Attorney, Agent, or Firm* — Mark M. Friedman

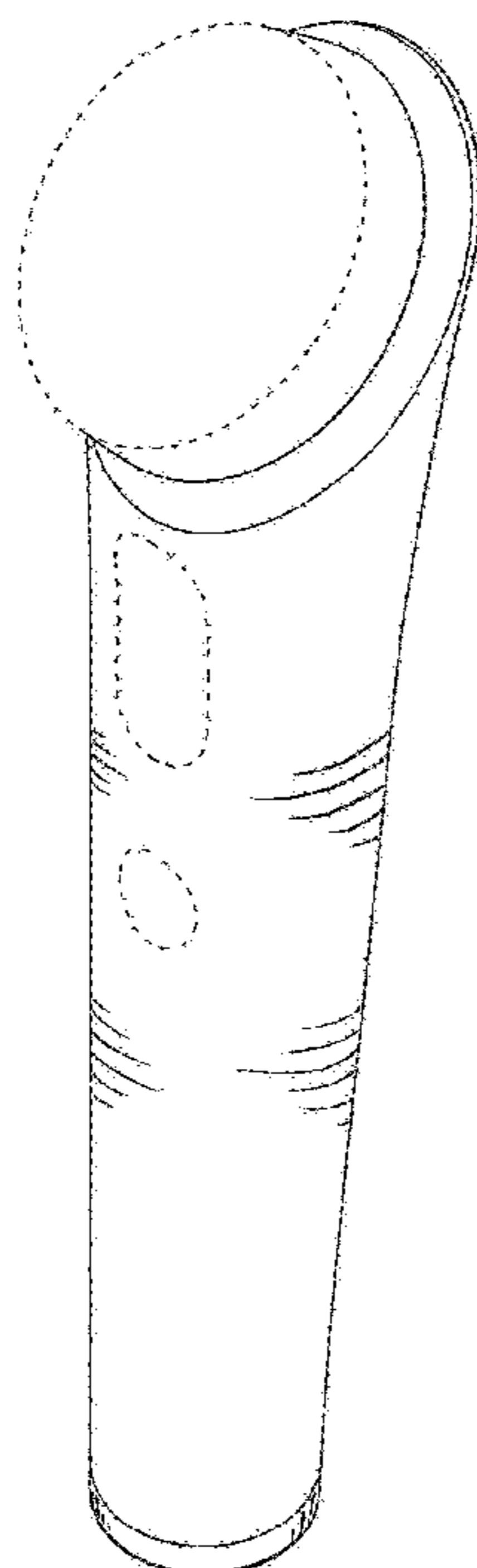
(57) **CLAIM**

The ornamental design for a hand held aesthetic treatment apparatus, as shown and described.

DESCRIPTION

FIG. 1 is a front view of a hand held aesthetic treatment apparatus showing my new design;
FIG. 2 is a rear view thereof;
FIG. 3 is a right side view thereof;
FIG. 4 is a left side view thereof;
FIG. 5 is a top view thereof;
FIG. 6 is a bottom view thereof; and,
FIG. 7 is a front left perspective view thereof.
The broken lines shown in the drawings illustrate portions of the hand held aesthetic treatment apparatus that form no part of the claimed design.

1 Claim, 7 Drawing Sheets



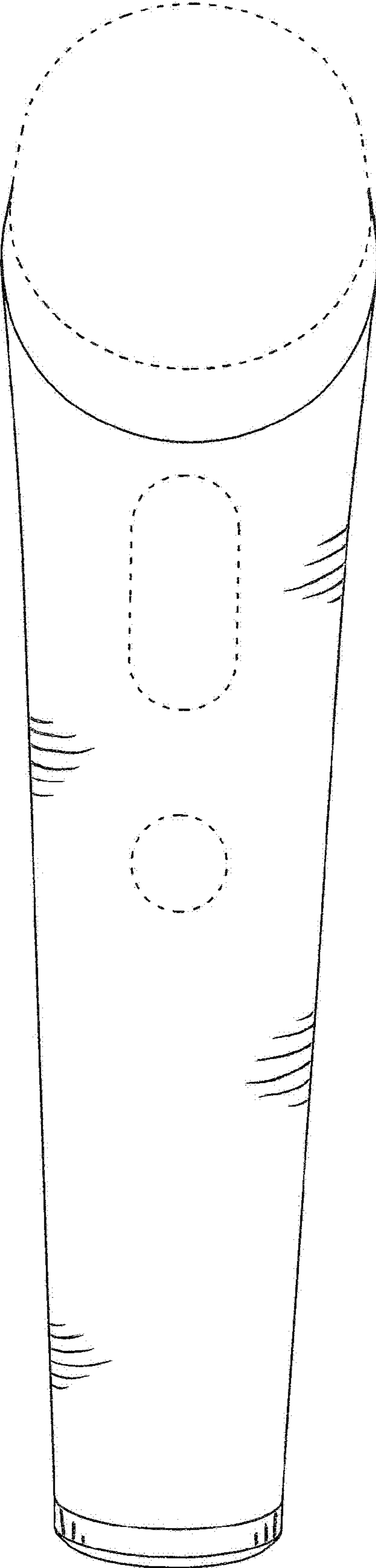


FIG. 1

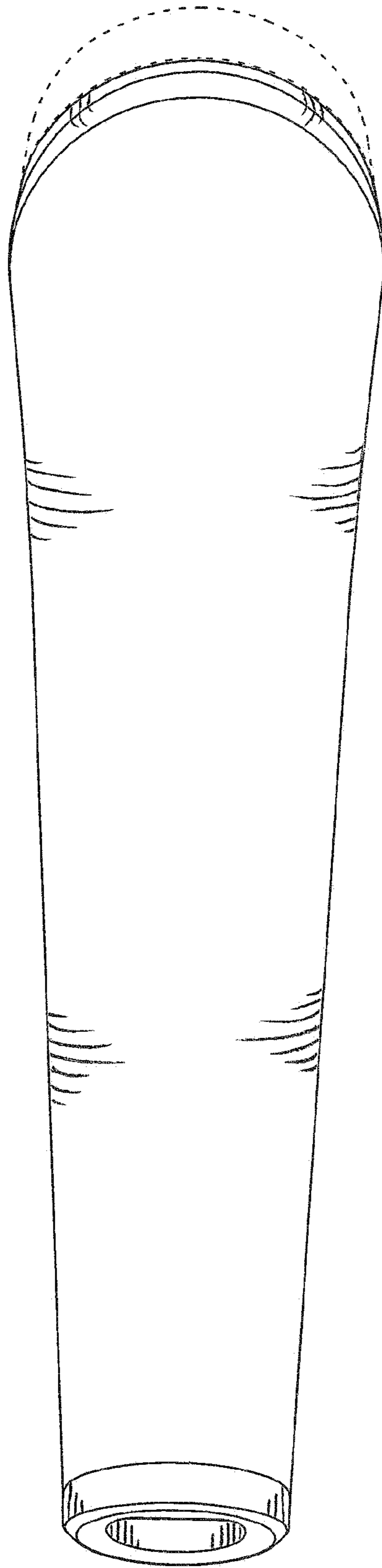


FIG. 2

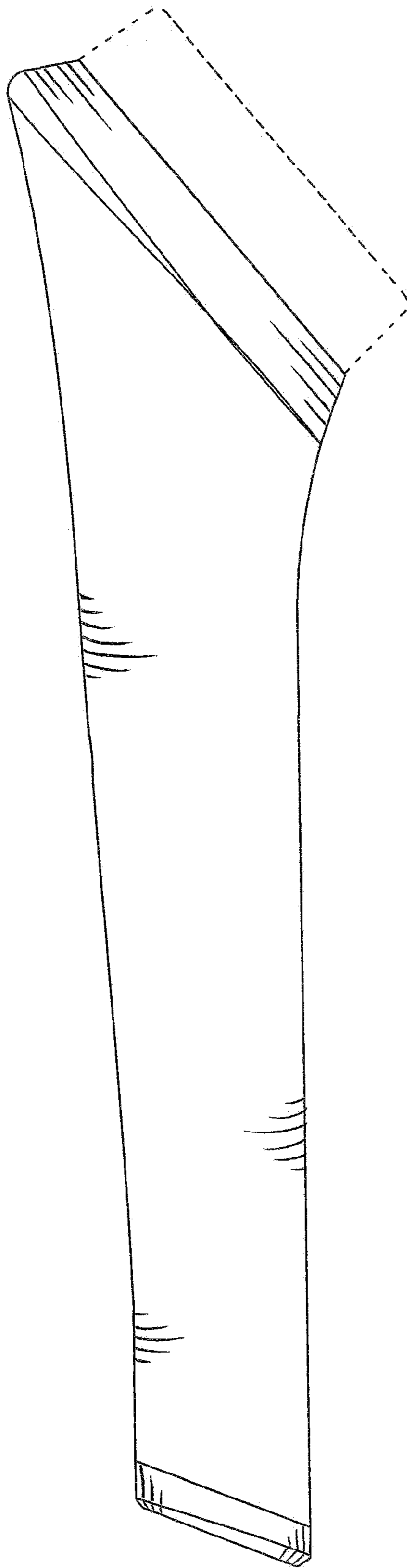


FIG. 3

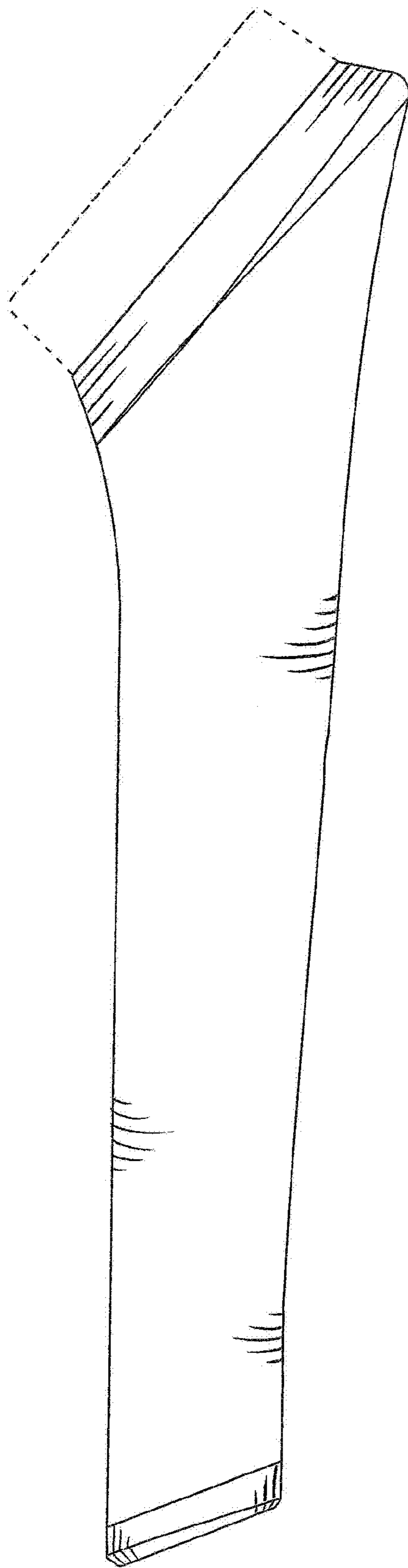


FIG. 4

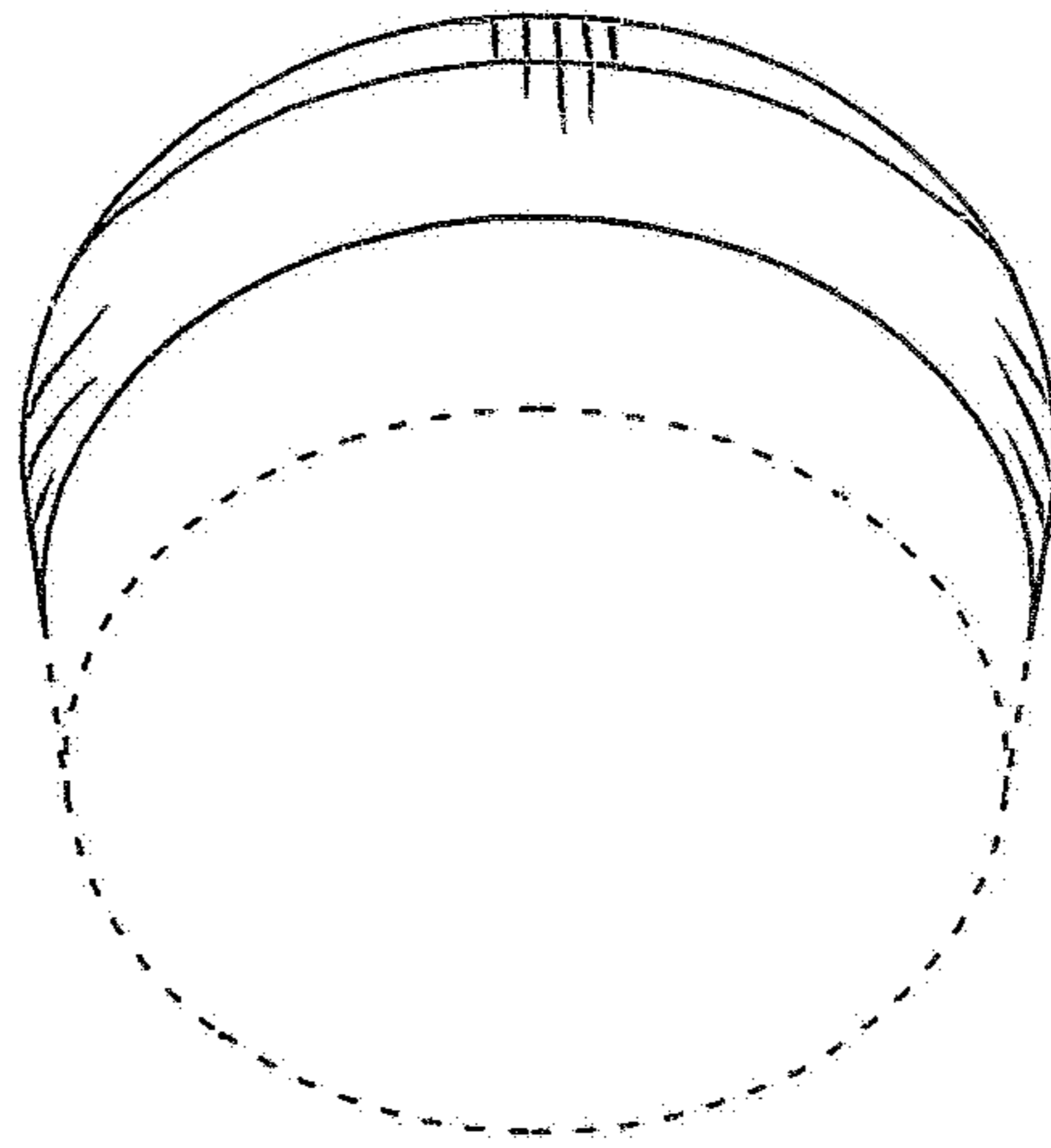


FIG. 5

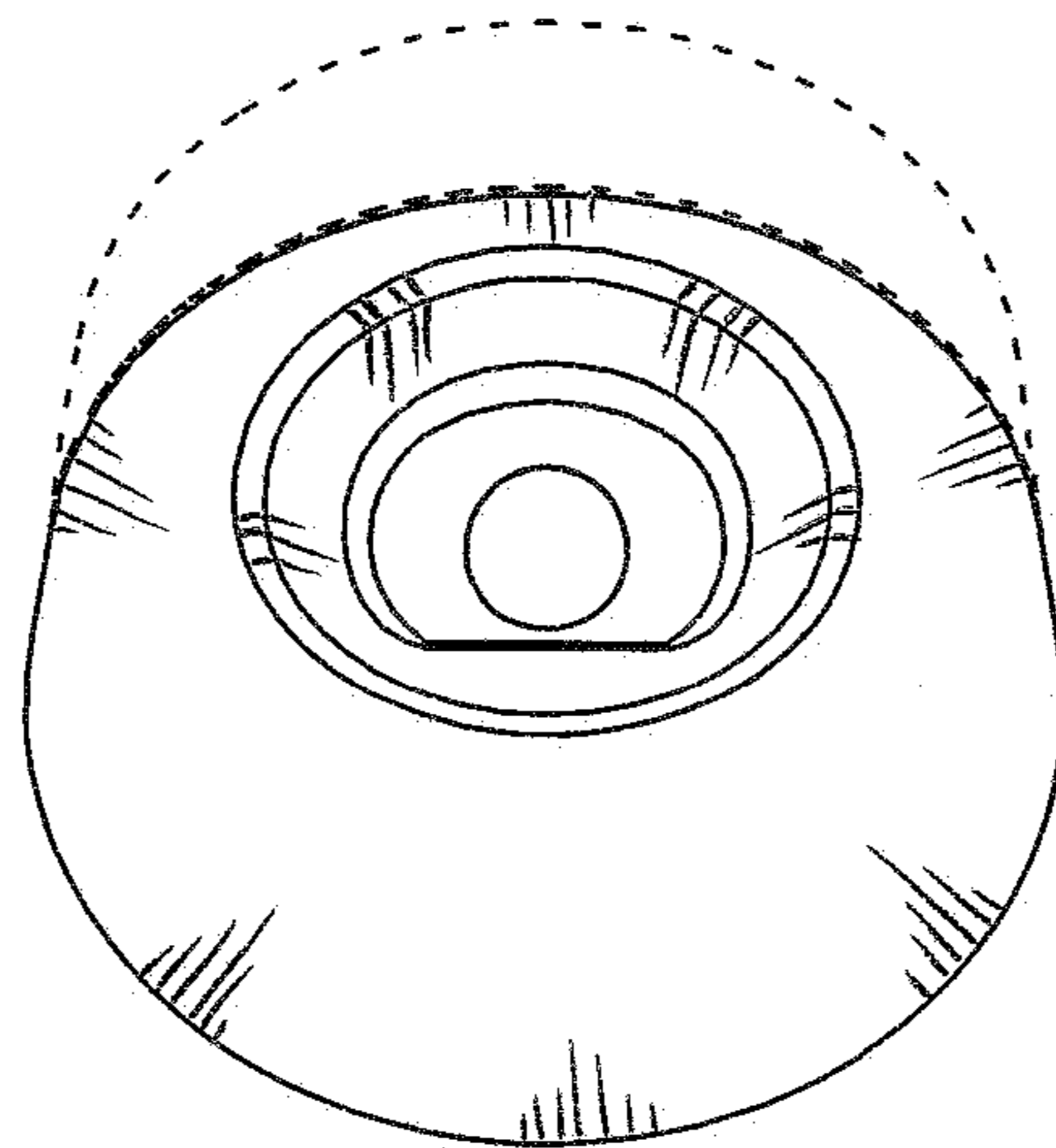


FIG. 6

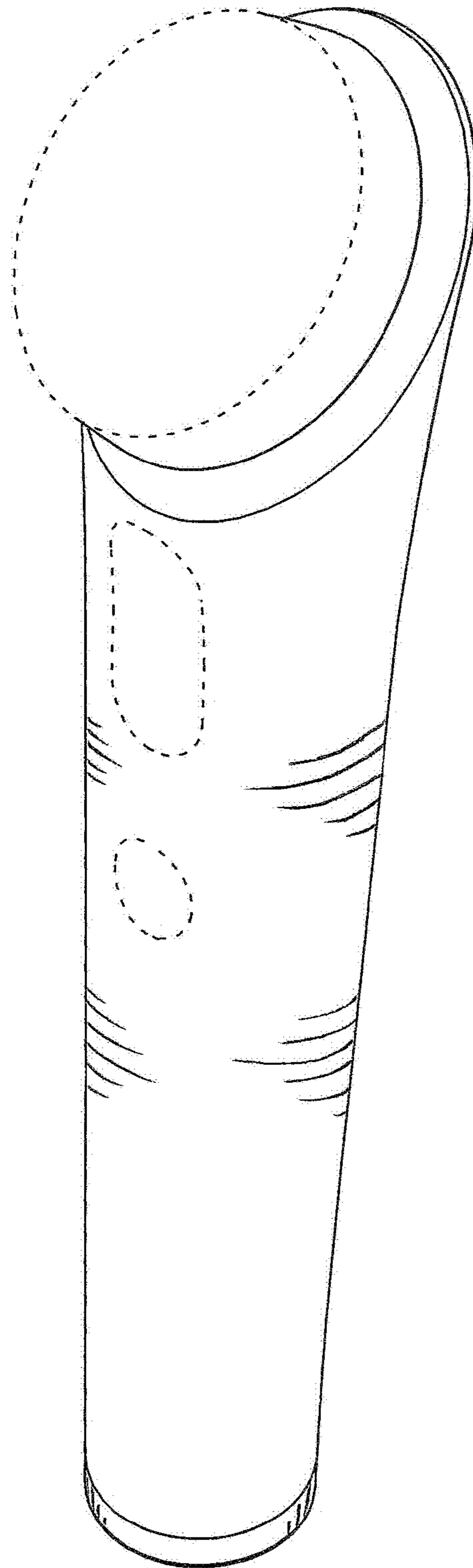


FIG. 7