



US00D916301S

(12) **United States Design Patent**  
**Yuval**

(10) **Patent No.:** **US D916,301 S**  
(45) **Date of Patent:** **\*\* Apr. 13, 2021**

(54) **HAND HELD LIGHT EMITTING  
AESTHETIC TREATMENT APPARATUS**

(71) Applicant: **DEAD SEA PREMIER COSMETICS  
LABORATORIES LTD.**, Shoham (IL)

(72) Inventor: **Yaneev Yuval**, Shoham (IL)

(73) Assignee: **DEAD SEA PREMIER COSMETICS  
LABORATORIES LTD.**, Shoham (IL)

(\*\*) Term: **15 Years**

(21) Appl. No.: **29/695,109**

(22) Filed: **Jun. 16, 2019**

(51) **LOC (13) Cl.** ..... **28-03**

(52) **U.S. Cl.**  
USPC ..... **D24/200**; D24/209

(58) **Field of Classification Search**  
USPC ..... D24/200, 209–210, 214–215; 601/1, 46,  
601/48, 64, 80; 607/96, 98–99; D28/13,  
D28/18  
CPC ..... A61N 1/00; A61N 1/0404; A61N 1/328;  
A61N 5/0616; A61N 5/06; A61N 5/0617;  
A61N 5/062; A61N 5/0622; A61N  
2005/0643; A61N 2005/0644; A61N  
2005/0651; A61N 2005/0652; A61B  
18/203; A61B 2018/00452; A61B  
2018/1807

See application file for complete search history.

(56) **References Cited**

**U.S. PATENT DOCUMENTS**

D323,034 S \* 1/1992 Reinstein ..... D24/200  
D366,703 S \* 1/1996 Huen ..... D24/200

D582,048 S \* 12/2008 Chiu ..... D24/200  
D652,523 S \* 1/2012 Bradley ..... D24/209  
D659,843 S \* 5/2012 Wang ..... D24/200  
D759,256 S \* 6/2016 Chen ..... D24/200  
2013/0158547 A1\* 6/2013 David ..... A61N 5/0616  
606/41  
2014/0358066 A1\* 12/2014 Nuccitelli ..... A61N 1/00  
604/20  
2020/0170399 A1\* 6/2020 Truong ..... A61N 5/0616

\* cited by examiner

*Primary Examiner* — Wan Laymon

(74) *Attorney, Agent, or Firm* — Mark M. Friedman

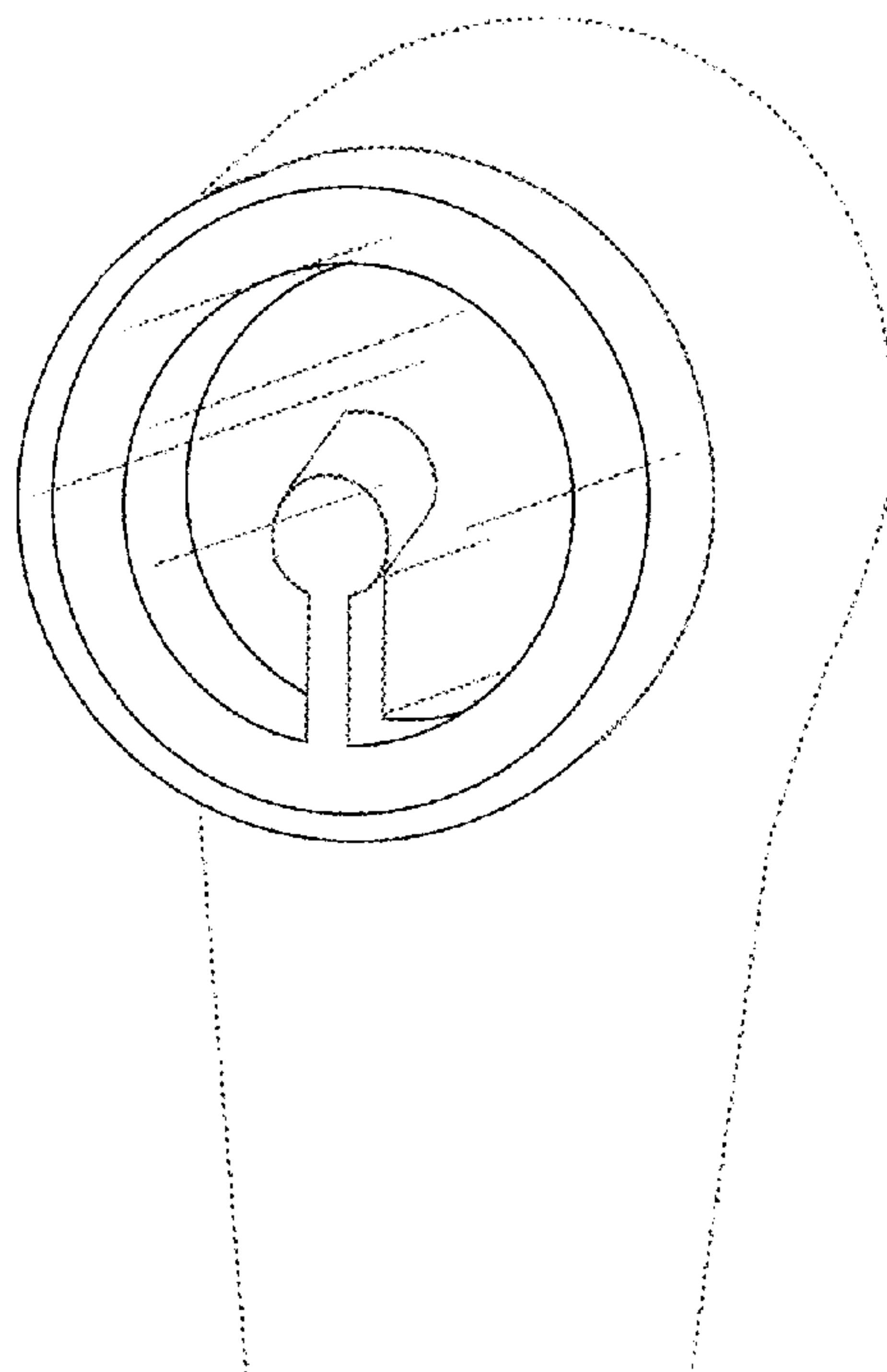
(57) **CLAIM**

The ornamental design for a hand held light emitting aesthetic treatment apparatus, as shown and described.

**DESCRIPTION**

FIG. 1 is a front view of a hand held light emitting aesthetic treatment apparatus showing my new design;  
FIG. 2 is a rear view thereof;  
FIG. 3 is a right side view thereof;  
FIG. 4 is a left side view thereof;  
FIG. 5 is a top view thereof;  
FIG. 6 is a bottom view thereof; and,  
FIG. 7 is a front left perspective view thereof.  
The broken lines shown in the drawings illustrate portions of the hand held light emitting aesthetic treatment apparatus that form no part of the claimed design.

**1 Claim, 7 Drawing Sheets**



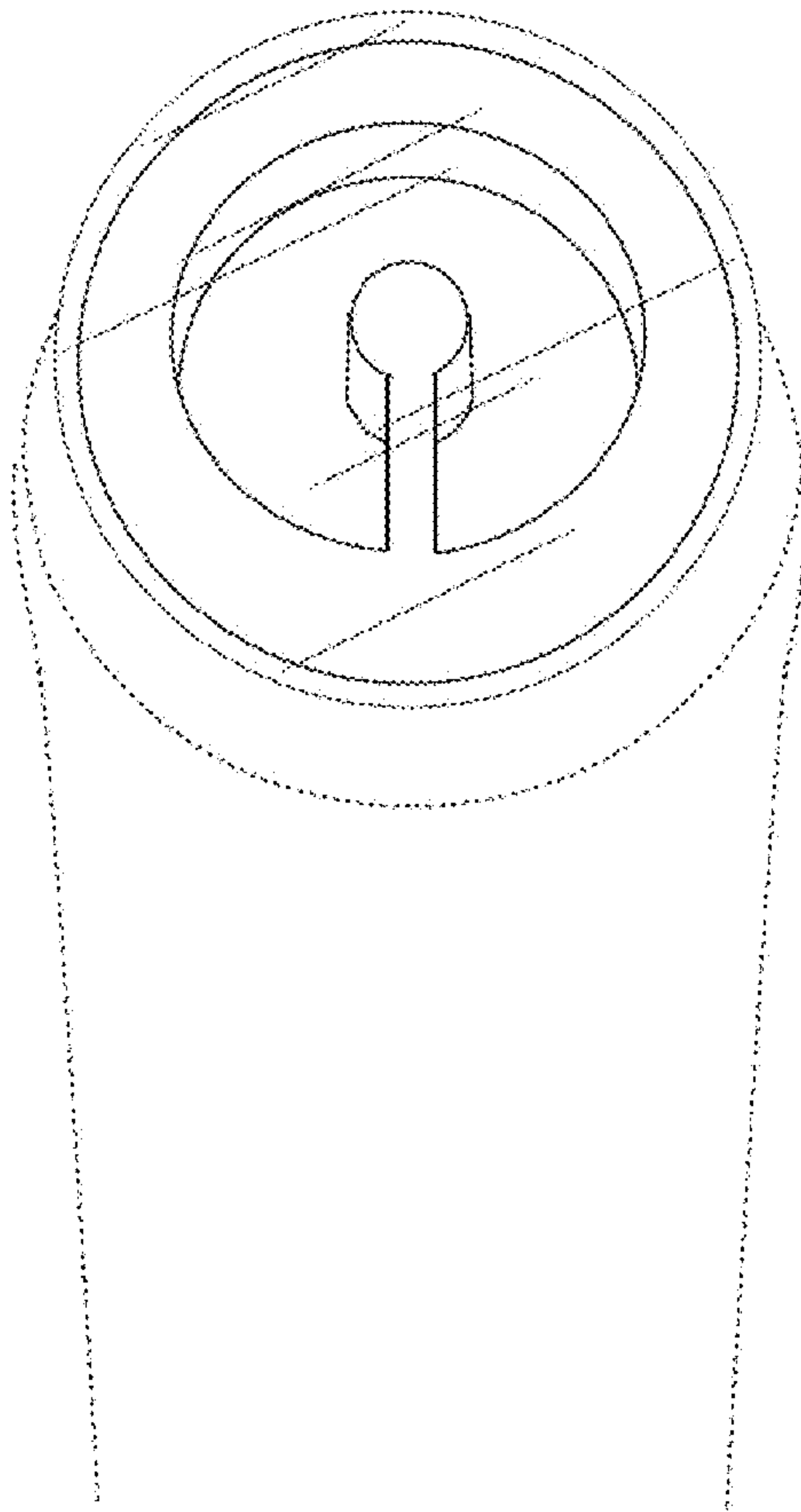


Fig. 1

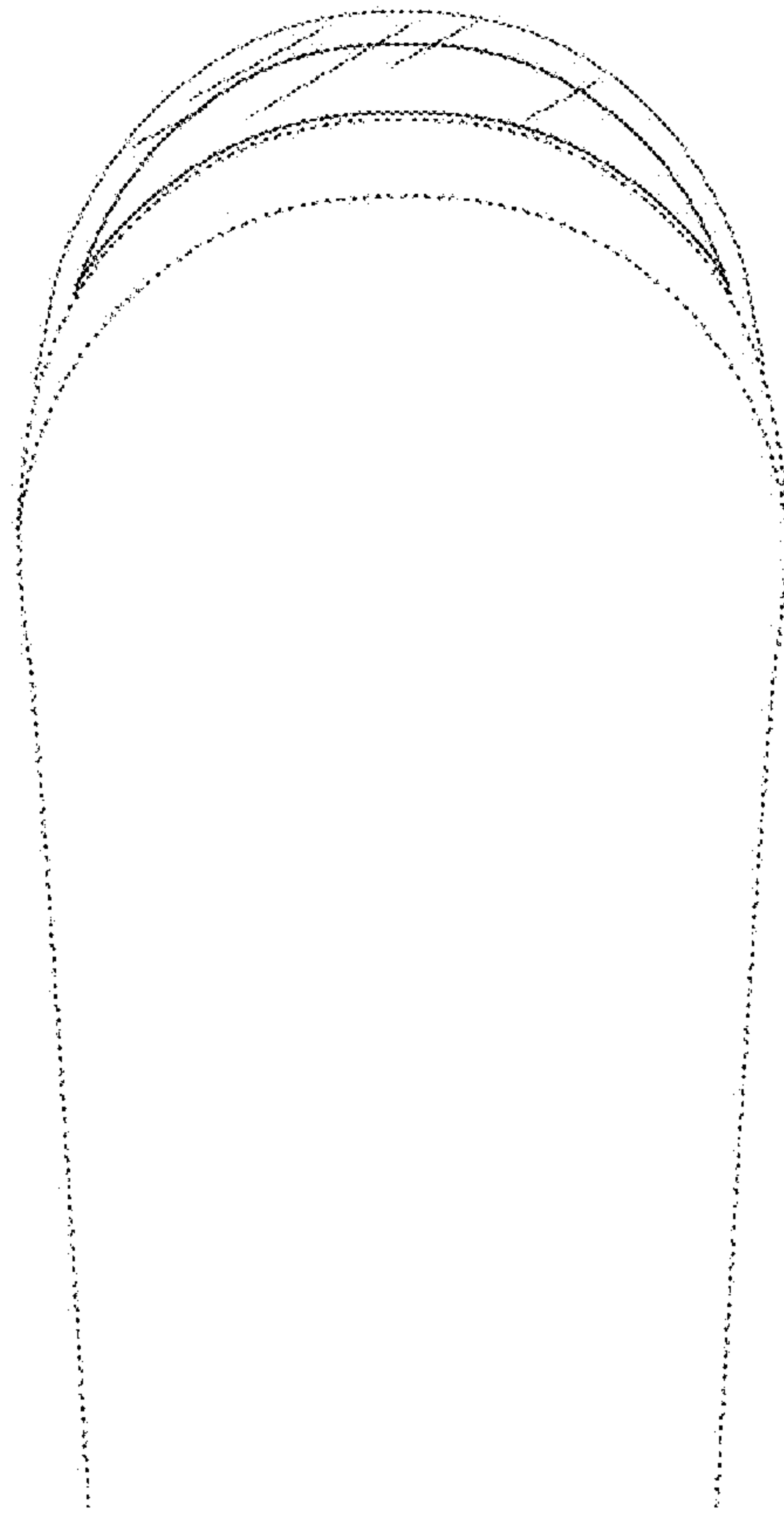


Fig. 2

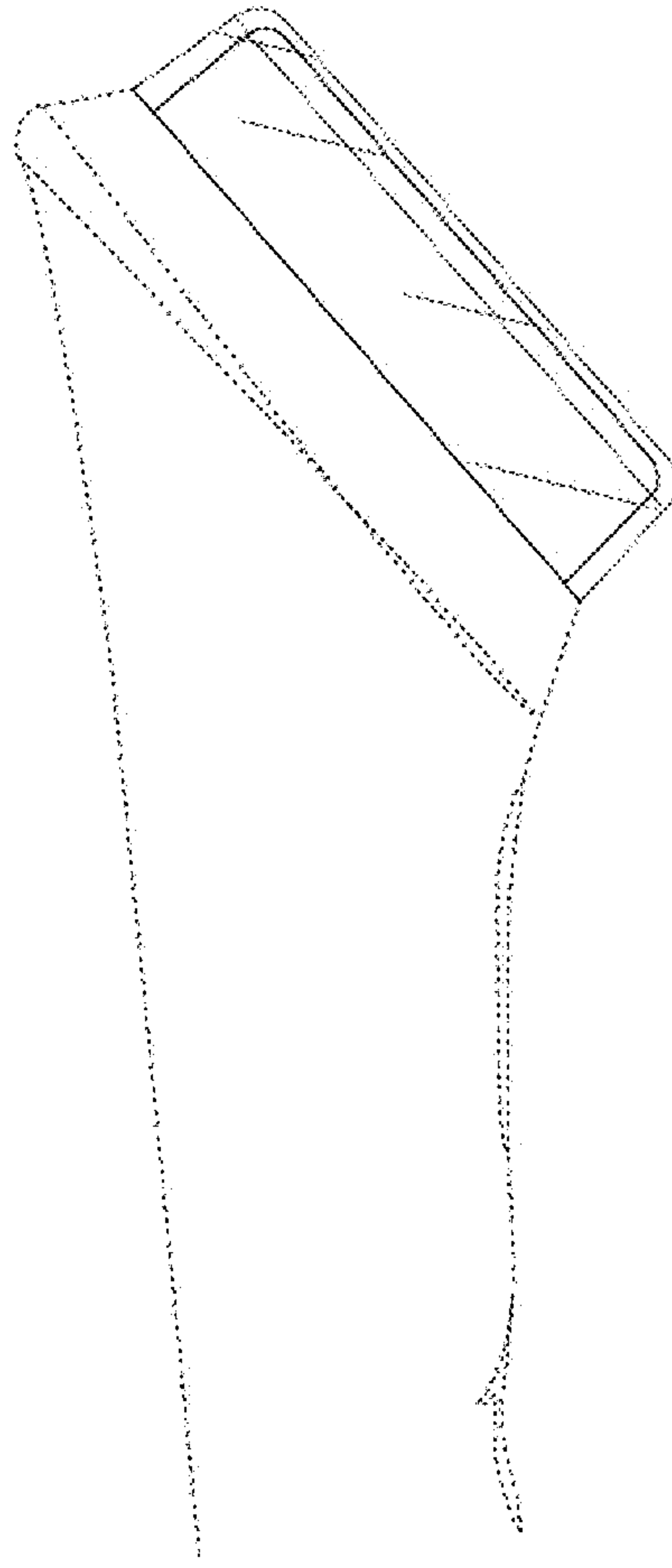


Fig. 3

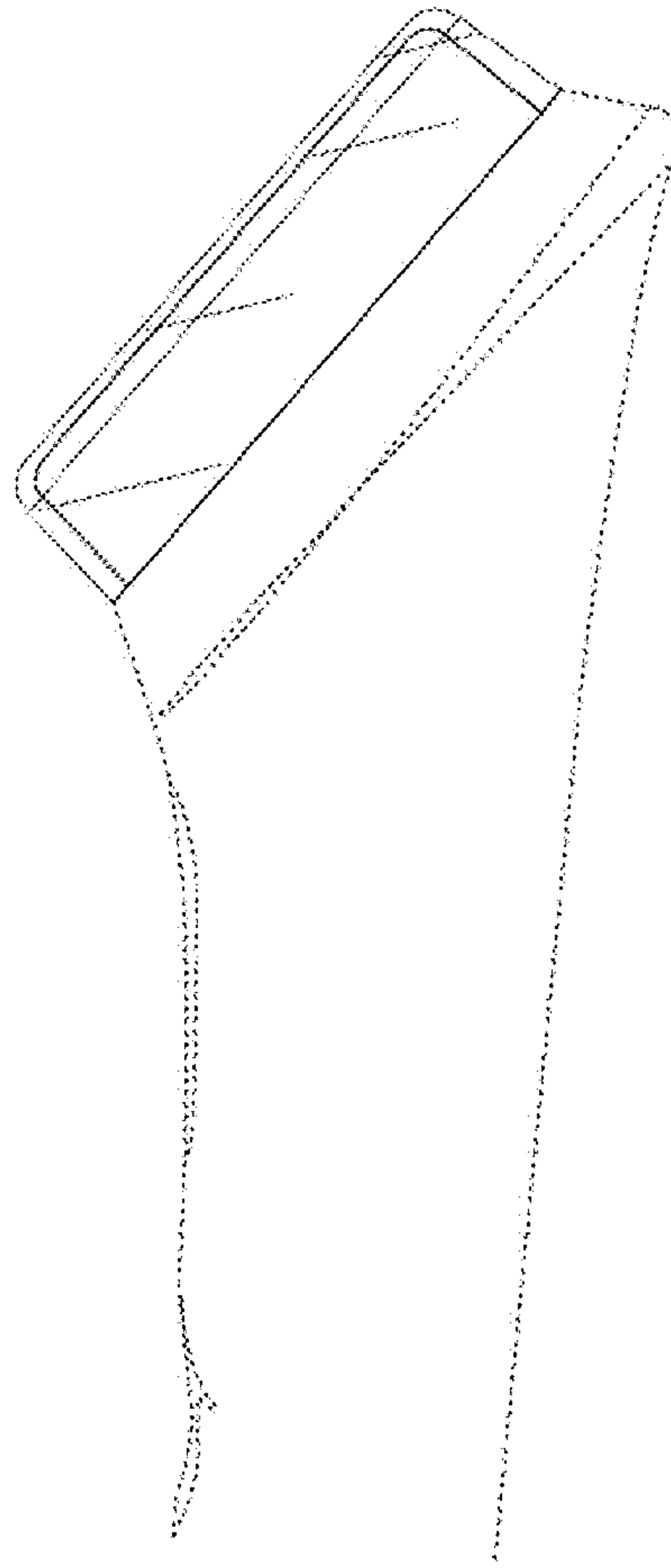


fig. 4

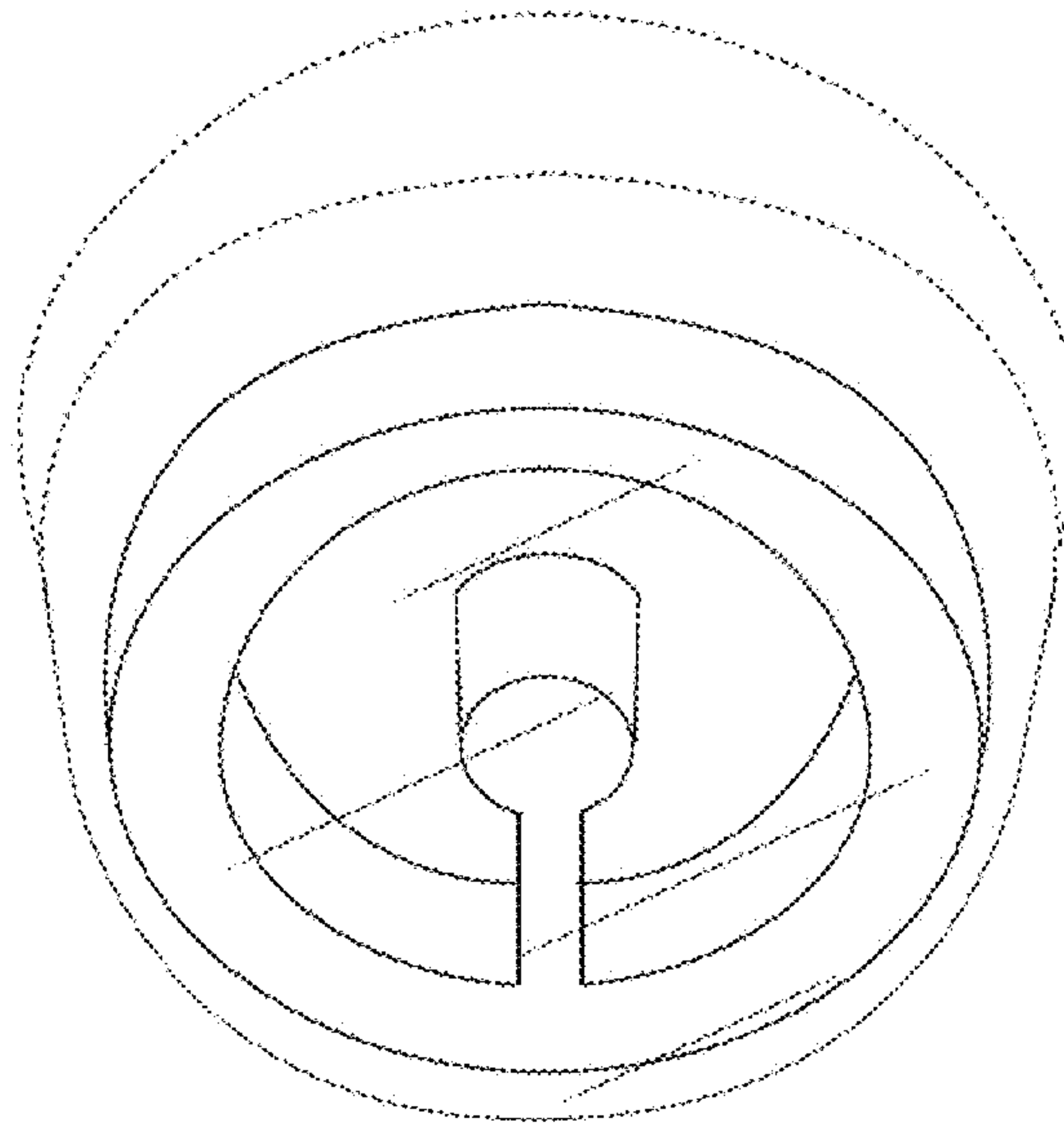


Fig. 5

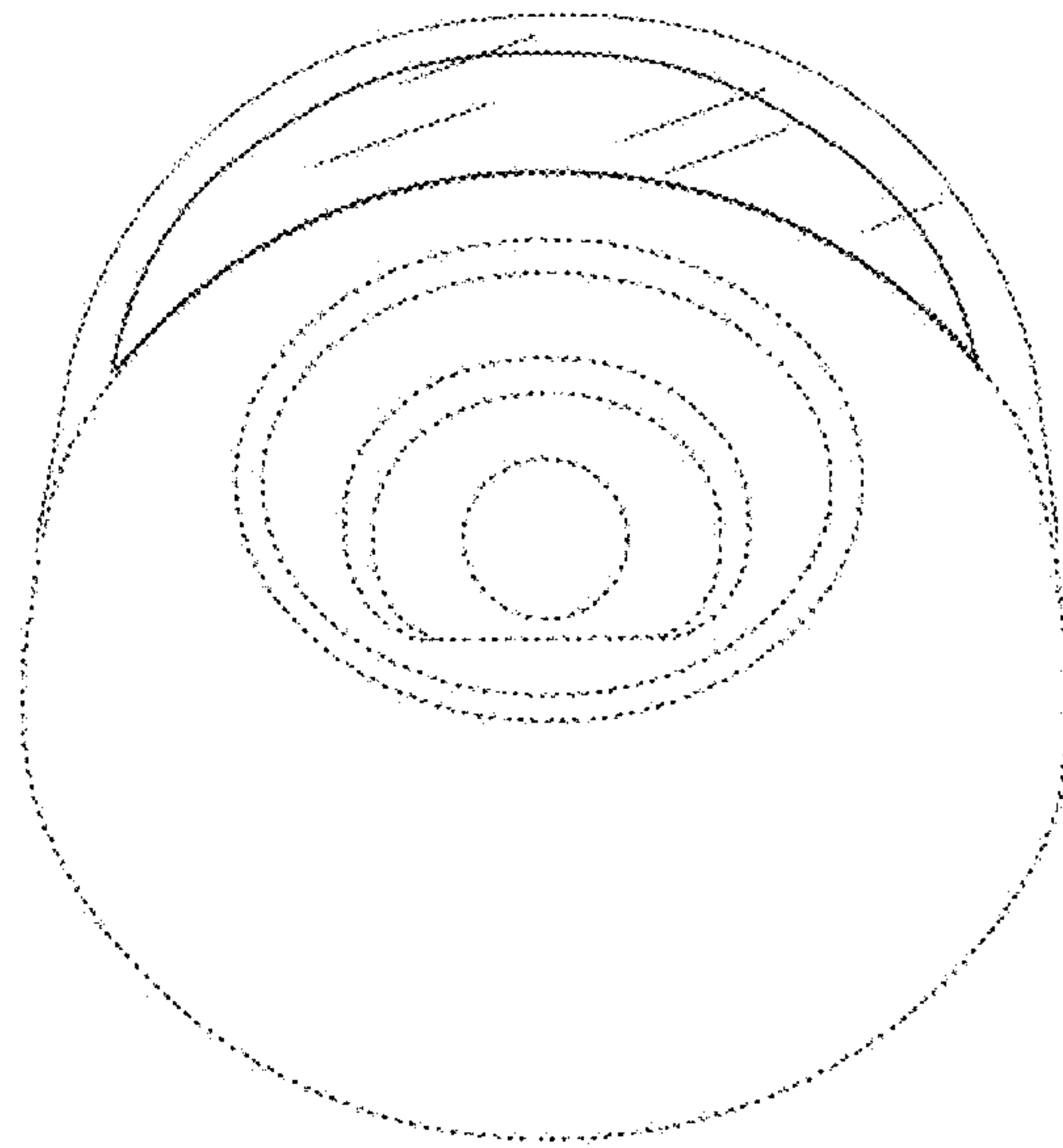


Fig. 6

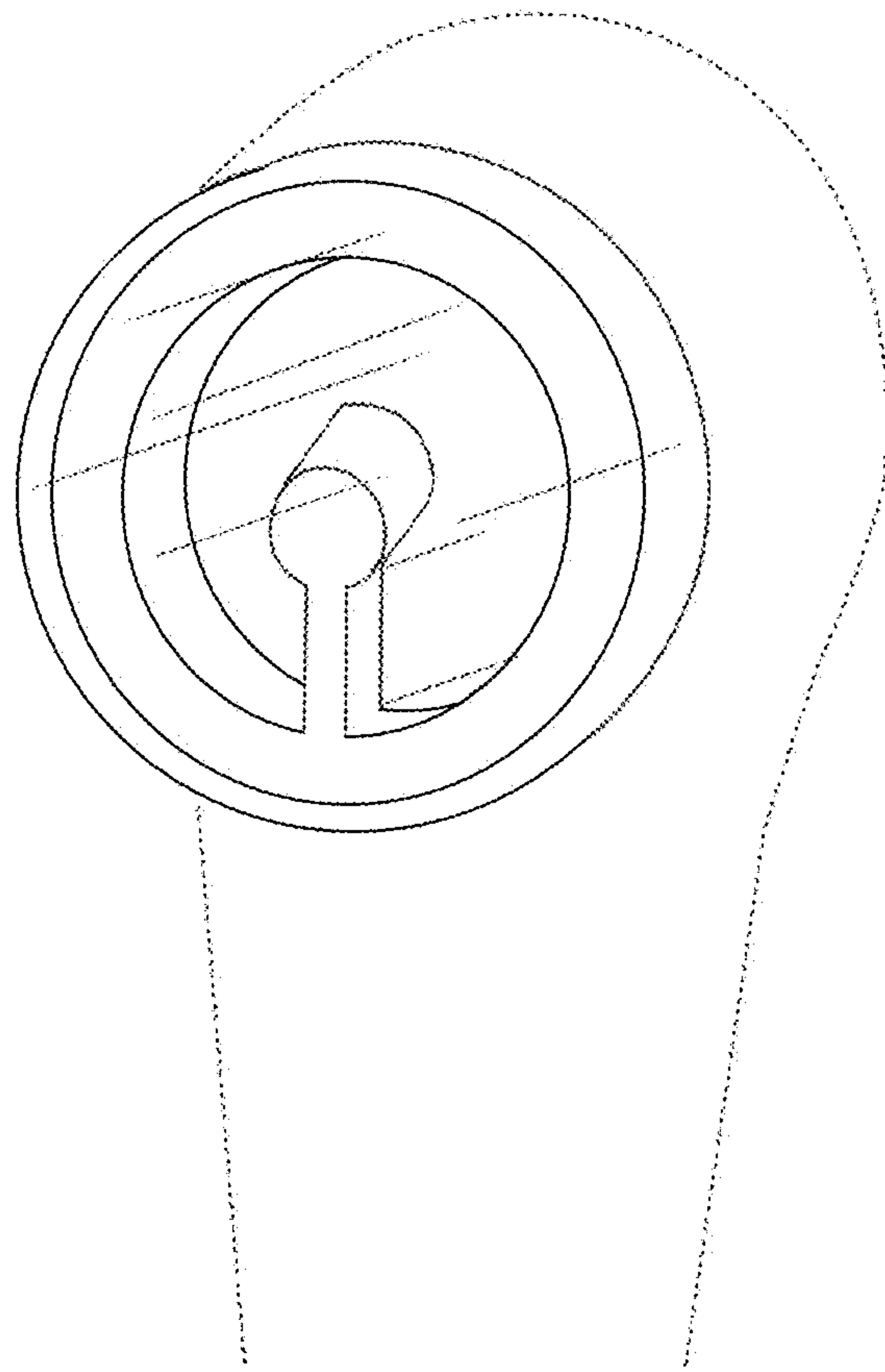


Fig. 7