



US00D916299S

(12) **United States Design Patent**
Crawford

(10) **Patent No.:** **US D916,299 S**

(45) **Date of Patent:** **** Apr. 13, 2021**

(54) **INGROWN TOENAIL BRACE**

(71) Applicant: **Peter Crawford**, Kuri Kuri (AU)

(72) Inventor: **Peter Crawford**, Kuri Kuri (AU)

(**) Term: **15 Years**

(21) Appl. No.: **29/643,790**

(22) Filed: **Apr. 11, 2018**

(30) **Foreign Application Priority Data**

Dec. 22, 2017 (AU) 201717925

(51) **LOC (13) Cl.** **24-04**

(52) **U.S. Cl.**
USPC **D24/192**

(58) **Field of Classification Search**
USPC D24/188–194, 199, 200, 206, 212–215;
D8/395; D9/434, 435, 443; D19/65;
D32/44

CPC A61F 2002/4235
See application file for complete search history.

(56) **References Cited**

U.S. PATENT DOCUMENTS

D299,008 S	*	12/1988	Nasland	D8/395
D301,548 S	*	6/1989	Weaver	D9/434
D303,216 S	*	9/1989	Hoffman	D9/434
D317,116 S	*	5/1991	Nimtz	D32/64
D321,209 S	*	10/1991	Hiomori	D19/100
D363,660 S	*	10/1995	Kim	D9/434
D374,170 S	*	10/1996	Slaski	D32/61
D420,912 S	*	2/2000	Vaught	D9/435
D447,048 S	*	8/2001	Beloff	D8/395
D454,296 S	*	3/2002	Masson	D8/395
D745,381 S	*	12/2015	Head, Jr.	D8/395

D757,533 S	*	5/2016	Ormsbee	D8/395
D774,391 S	*	12/2016	Aguero-Hernandez	D9/443
D816,472 S	*	5/2018	Kim	D8/395
D829,541 S	*	10/2018	Montgomery	D8/395
D830,159 S	*	10/2018	Montgomery	D8/395
D834,933 S	*	12/2018	Pi	D8/395

OTHER PUBLICATIONS

123rf. Stock Photo—plastic Grip clip studio cutout. No date specified.
https://www.123rf.com/photo_8133479_plastic-grip-clip-studio-cutout.html (Year: 0).*

* cited by examiner

Primary Examiner — Darcey E Gottschalk

(57) **CLAIM**

The ornamental design for an ingrown toenail brace, as shown and described.

DESCRIPTION

FIG. 1 is an upper perspective view of an ingrown toenail brace according to the present application.

FIG. 2 is a lower perspective view of the ingrown toenail brace of FIG. 1.

FIG. 3 is a top view of the ingrown toenail brace of FIG. 1.

FIG. 4 is a bottom view of the ingrown toenail brace of FIG. 1.

FIG. 5 is a left view of the ingrown toenail brace of FIG. 1.

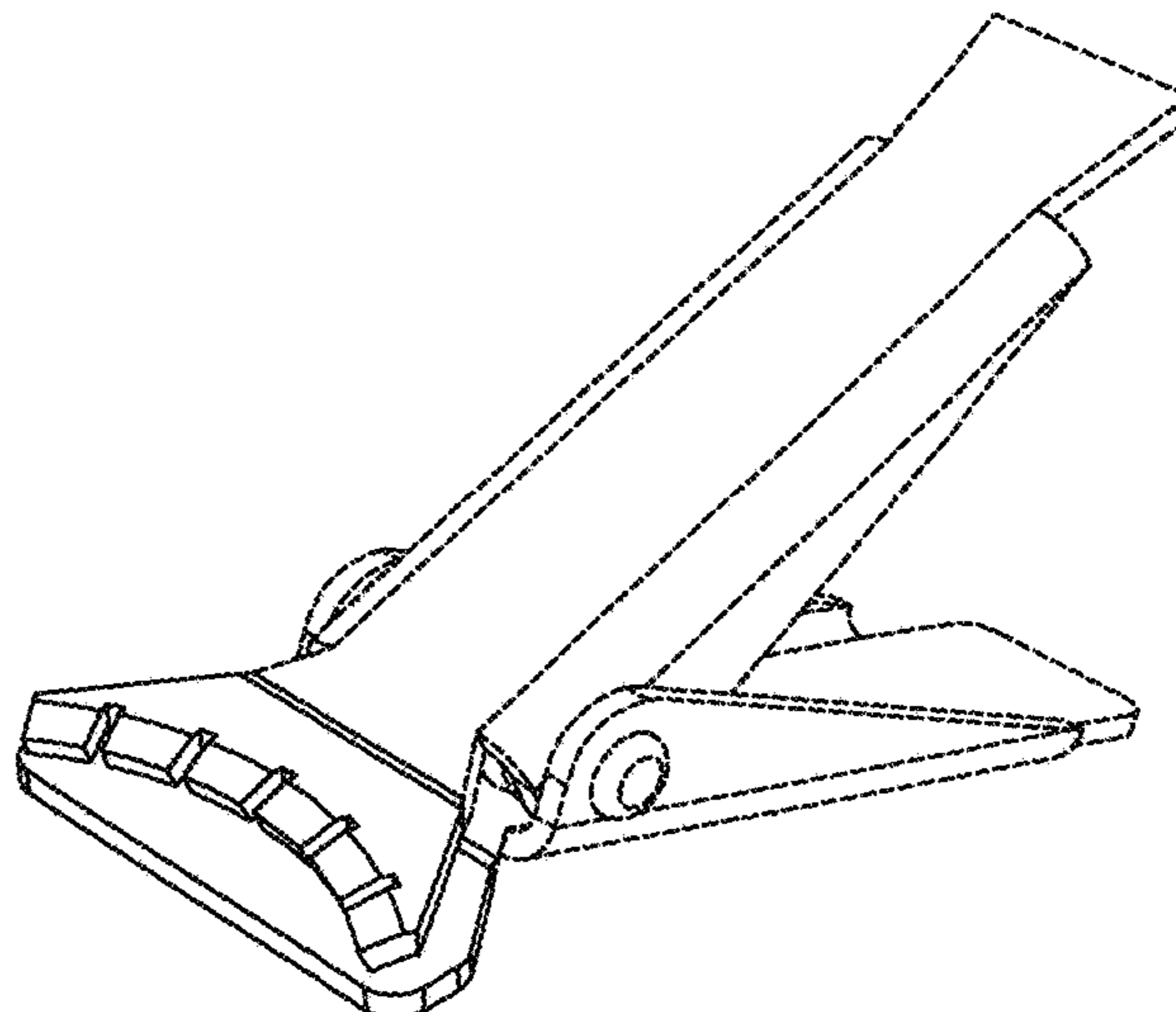
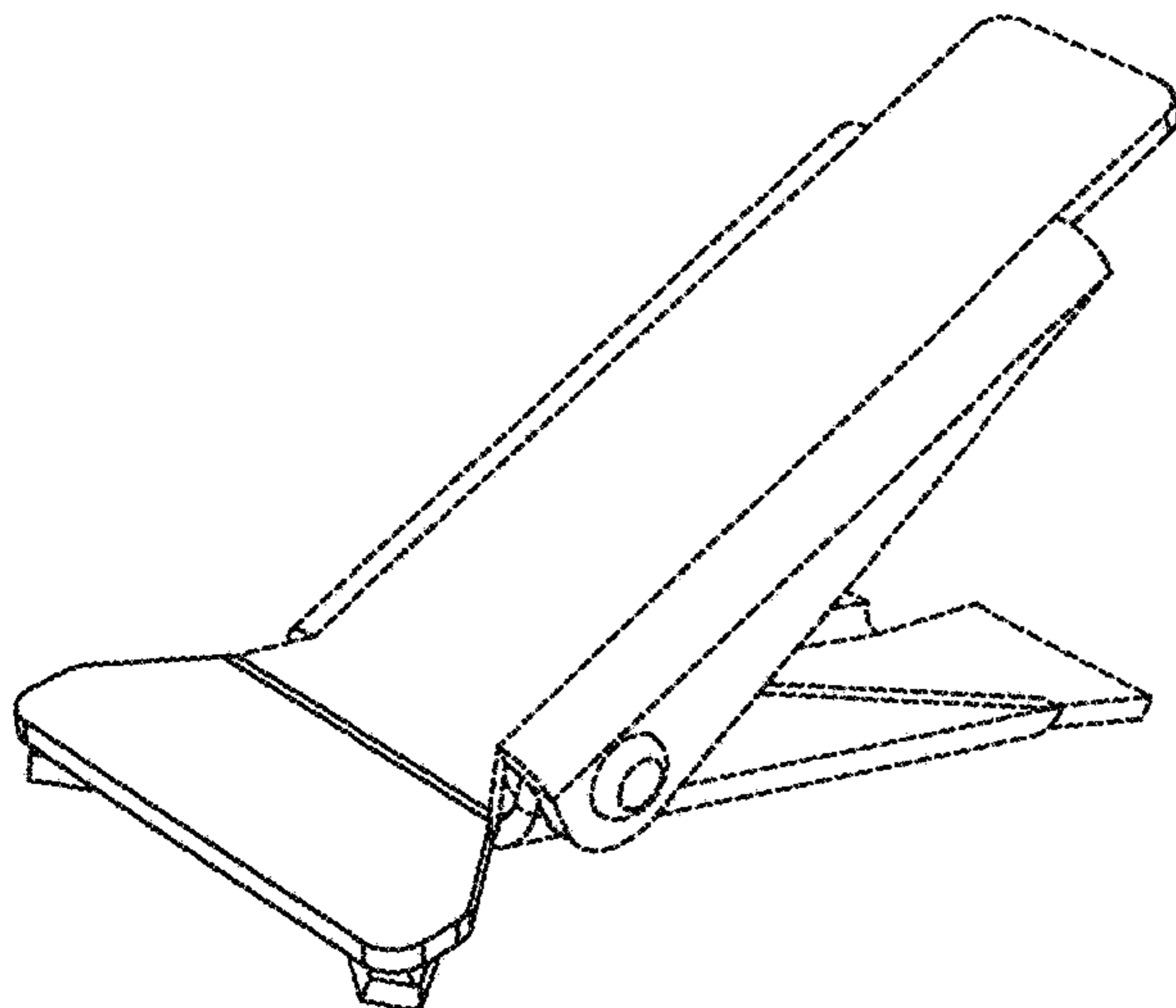
FIG. 6 is a right view of the ingrown toenail brace of FIG. 1.

FIG. 7 is a front view of the ingrown toenail brace of FIG. 1; and,

FIG. 8 is a rear view of the ingrown toenail brace of FIG. 1.

The broken lines depict portions of the ingrown toenail brace that form no part of the claim.

1 Claim, 5 Drawing Sheets



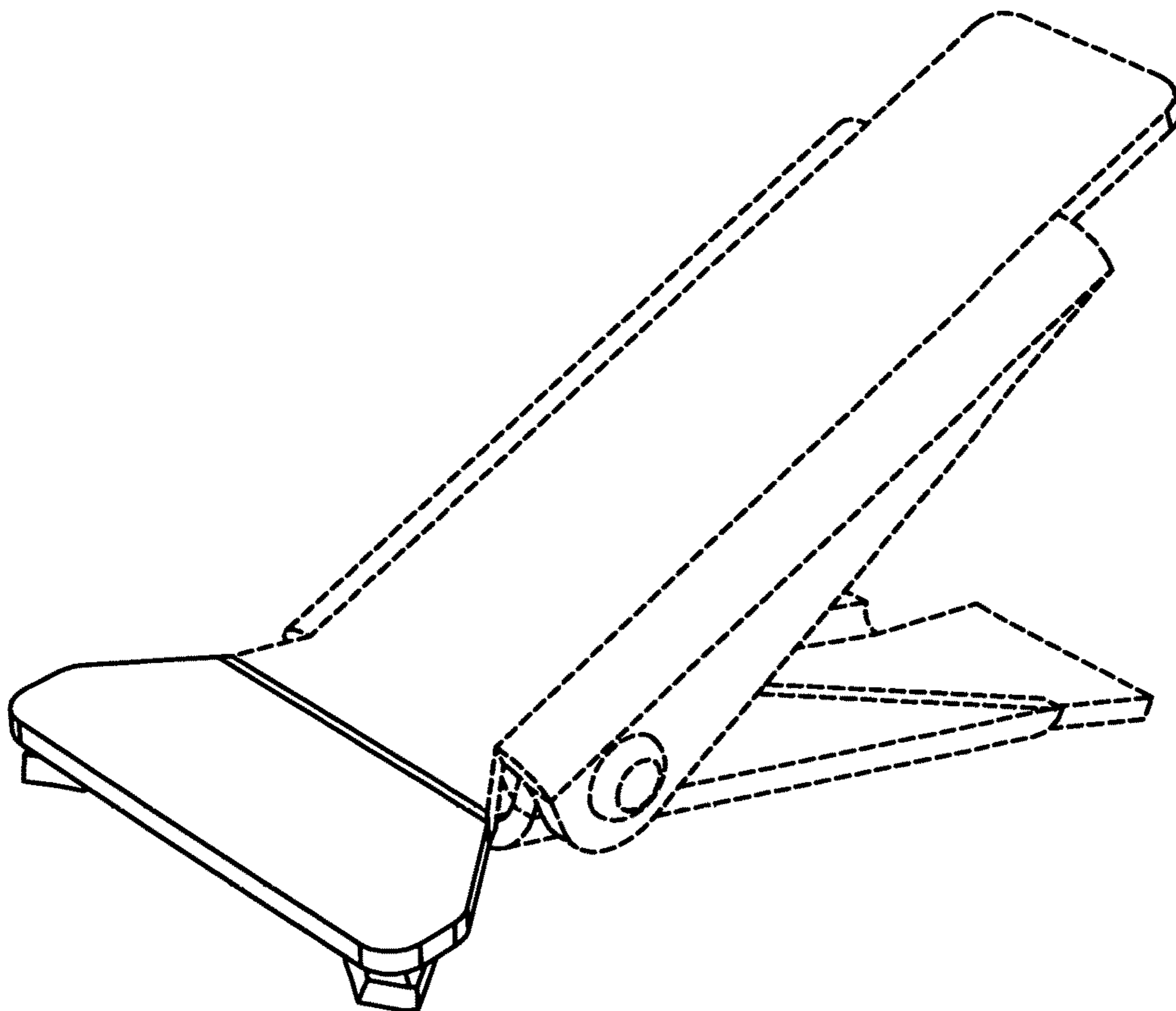


Fig. 1

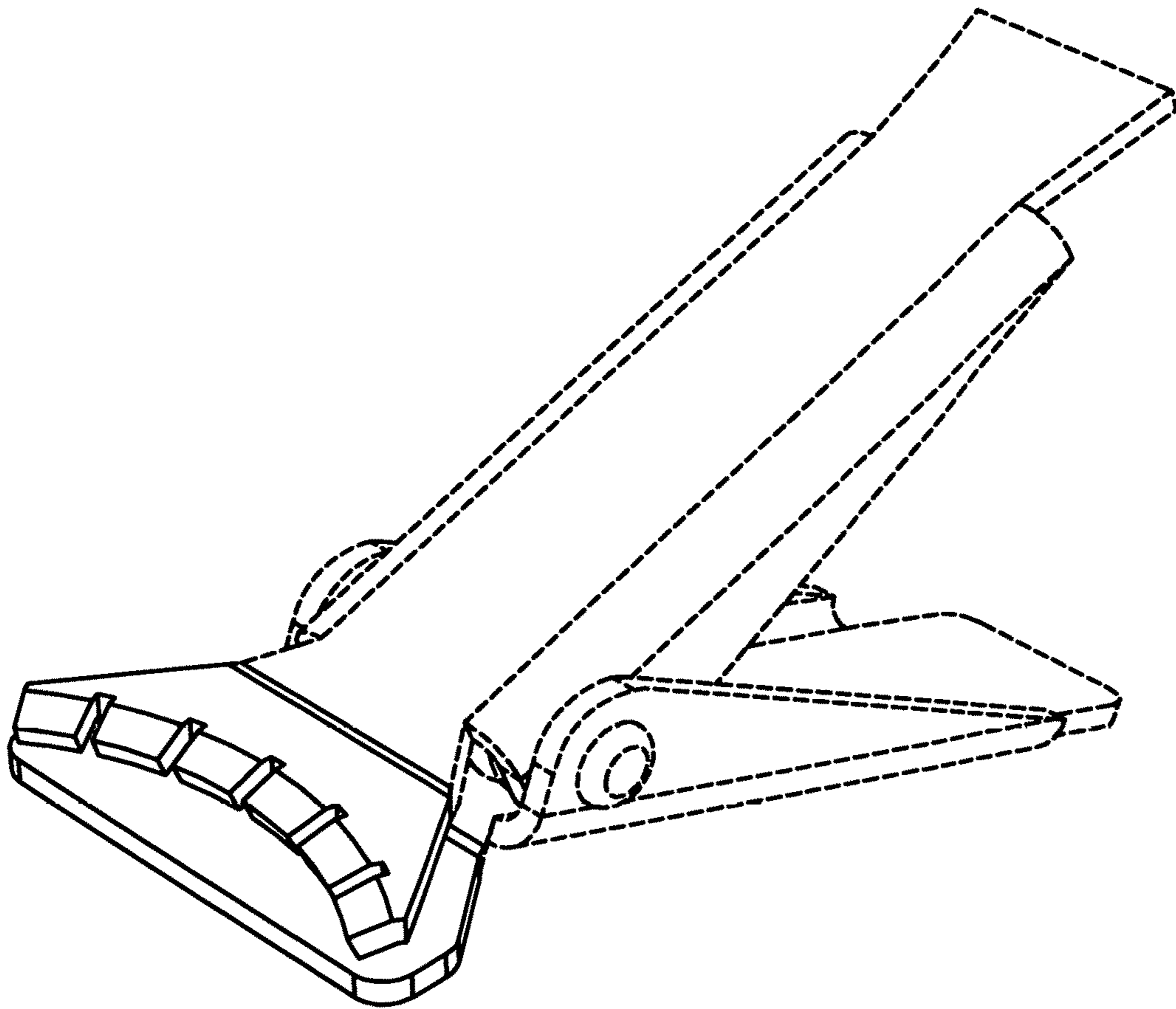


Fig. 2

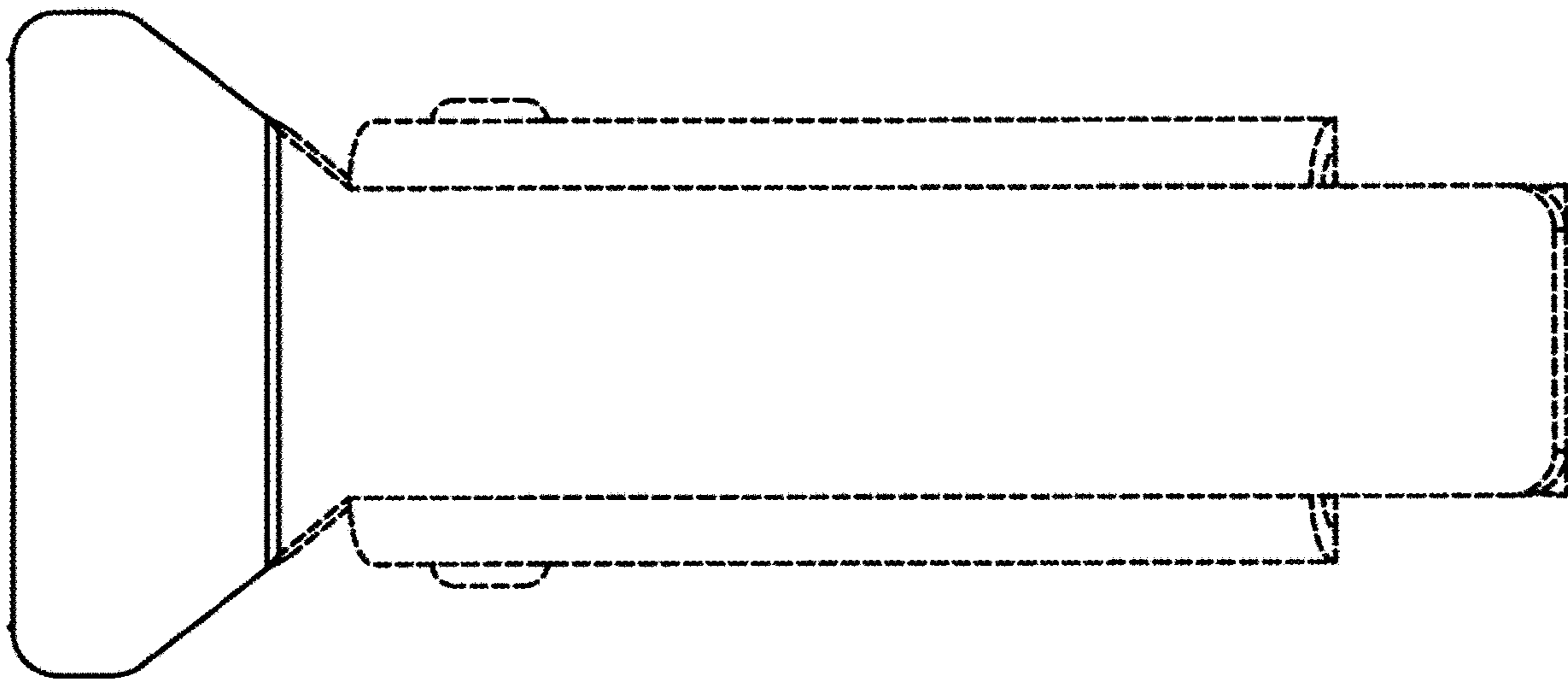


Fig. 3

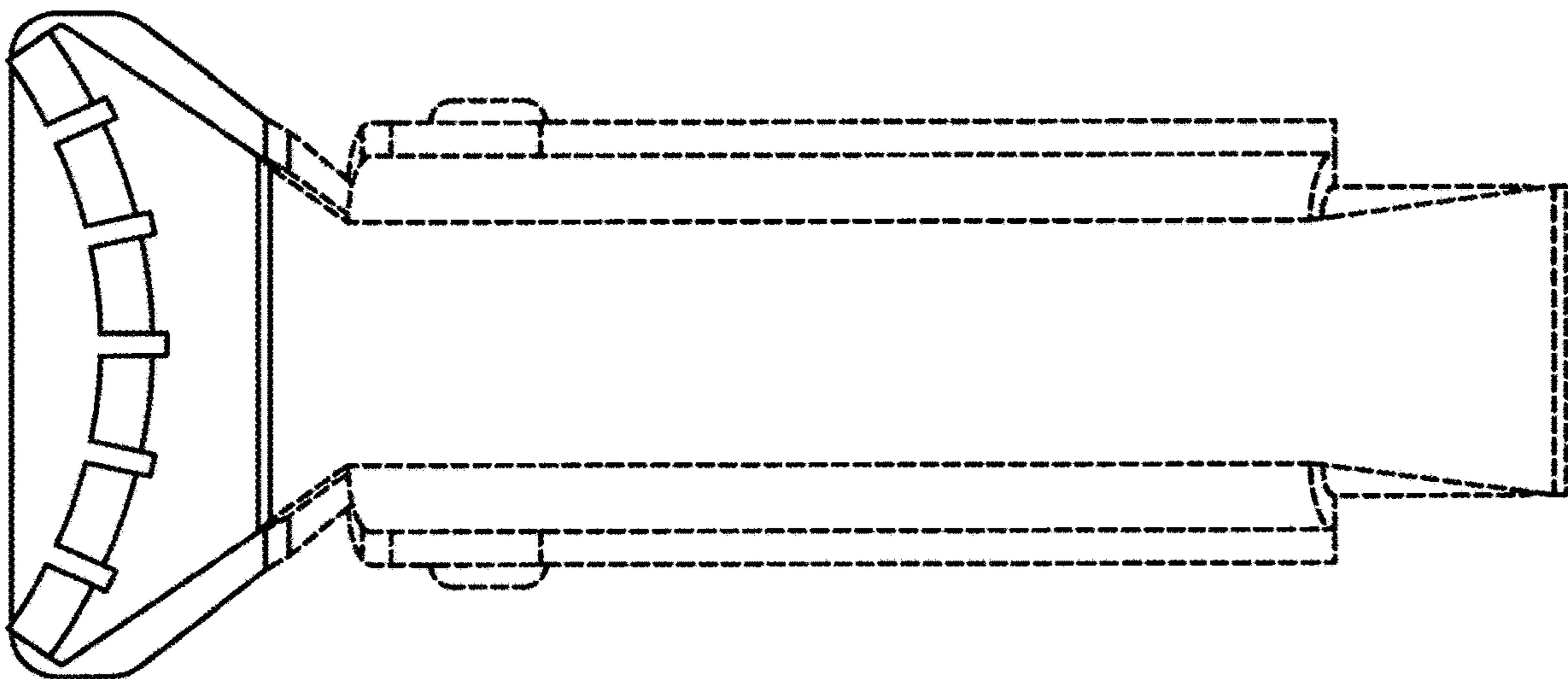


Fig. 4

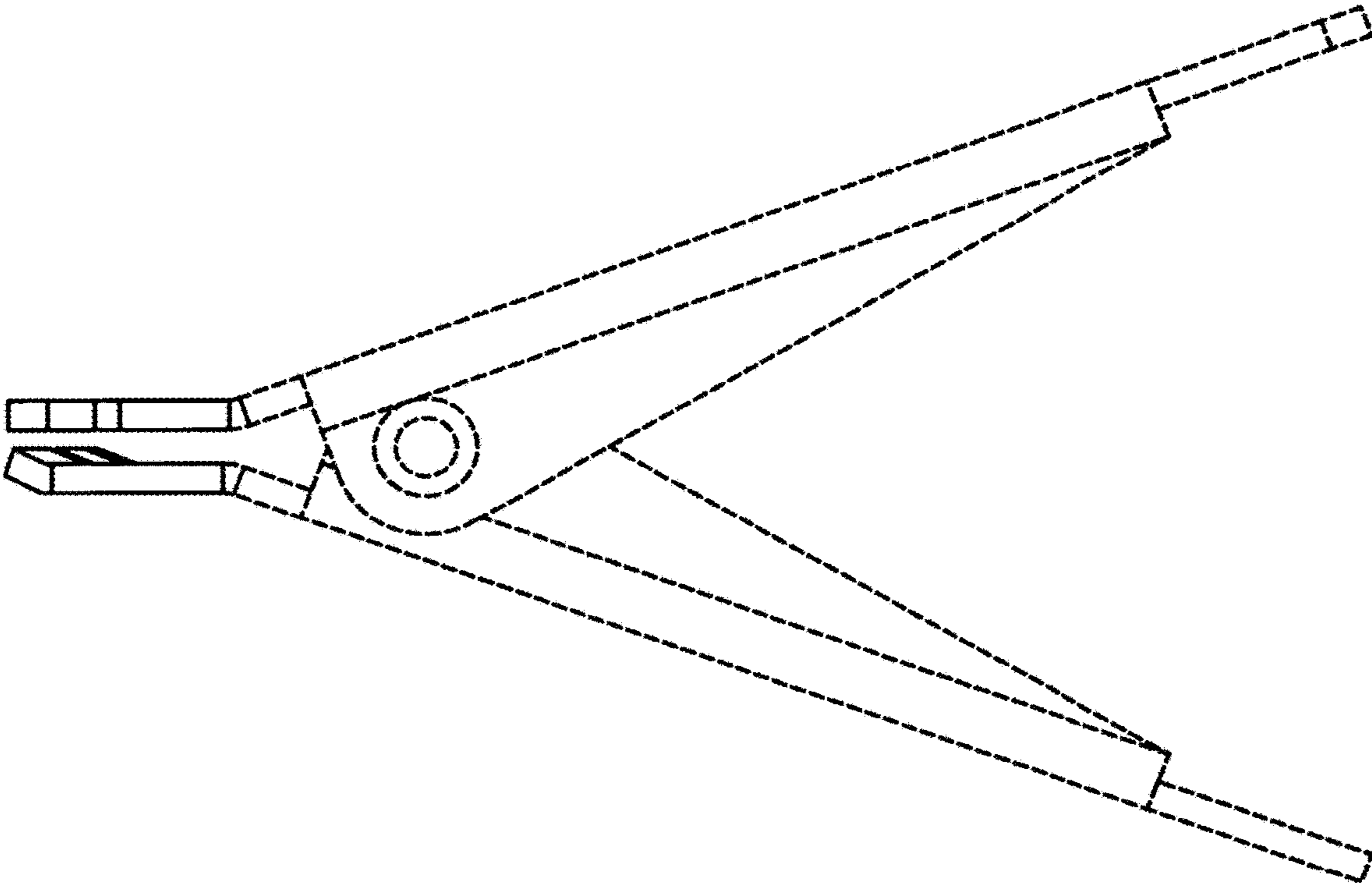


Fig. 5

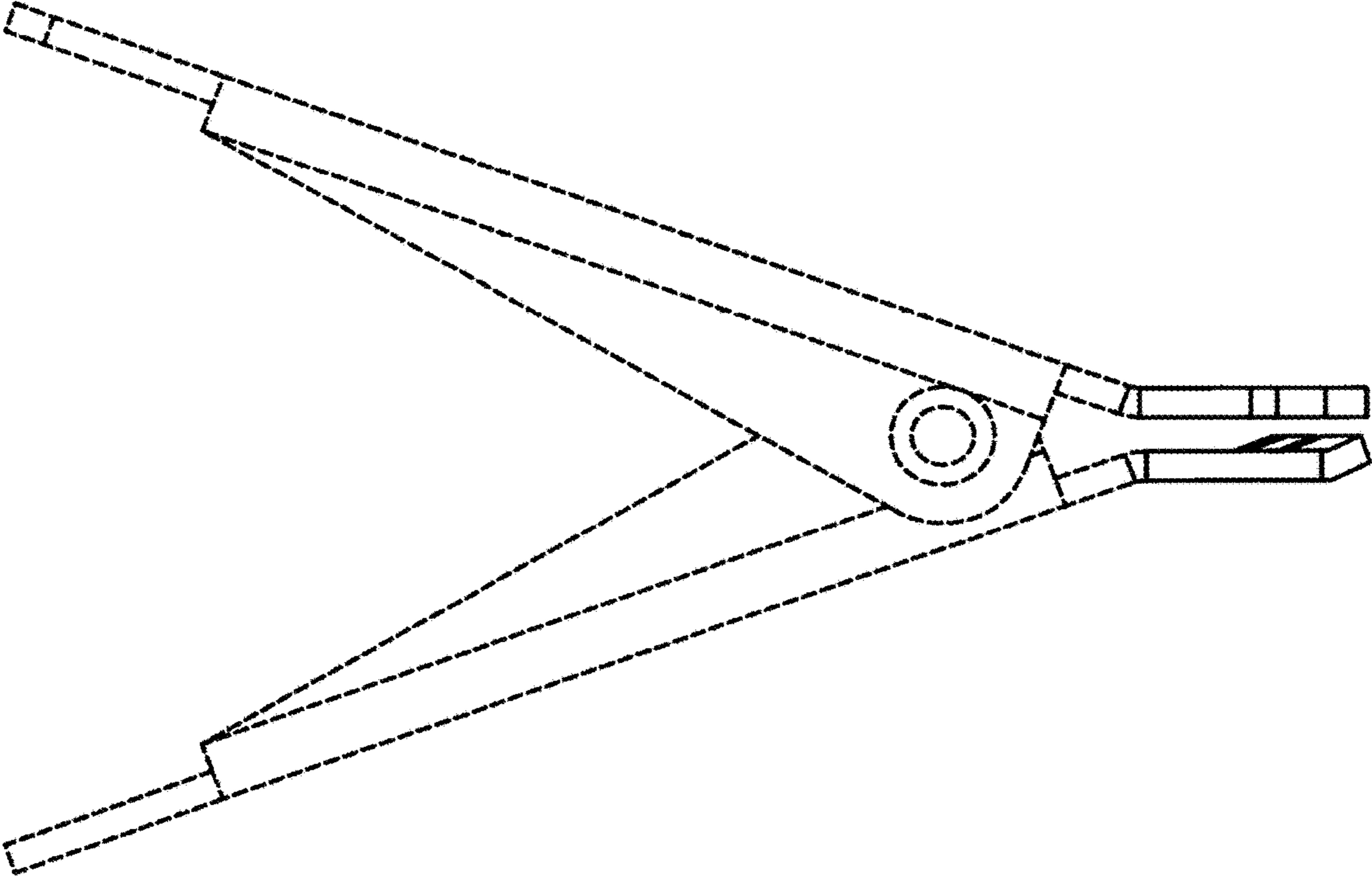


Fig. 6

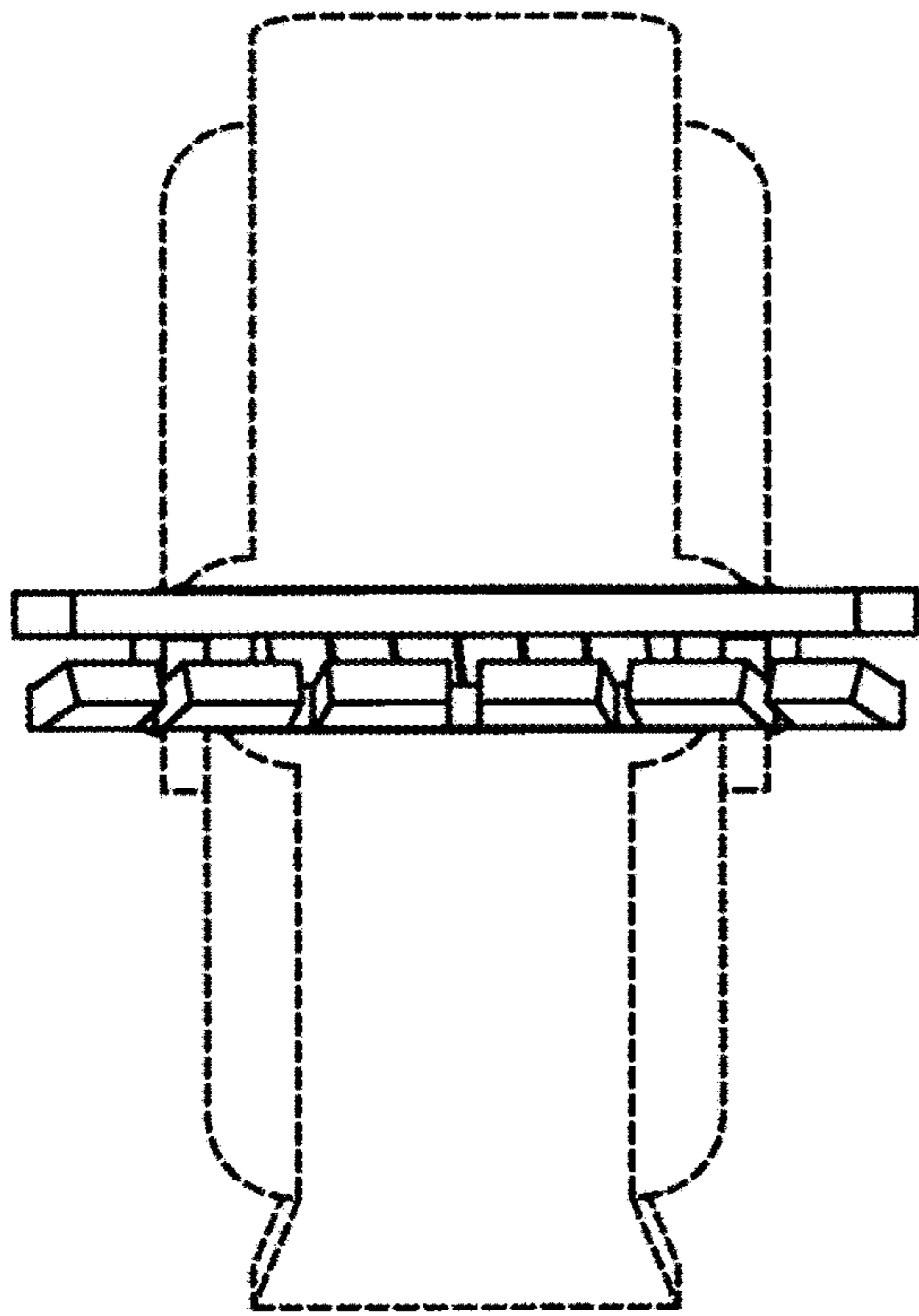


Fig. 7

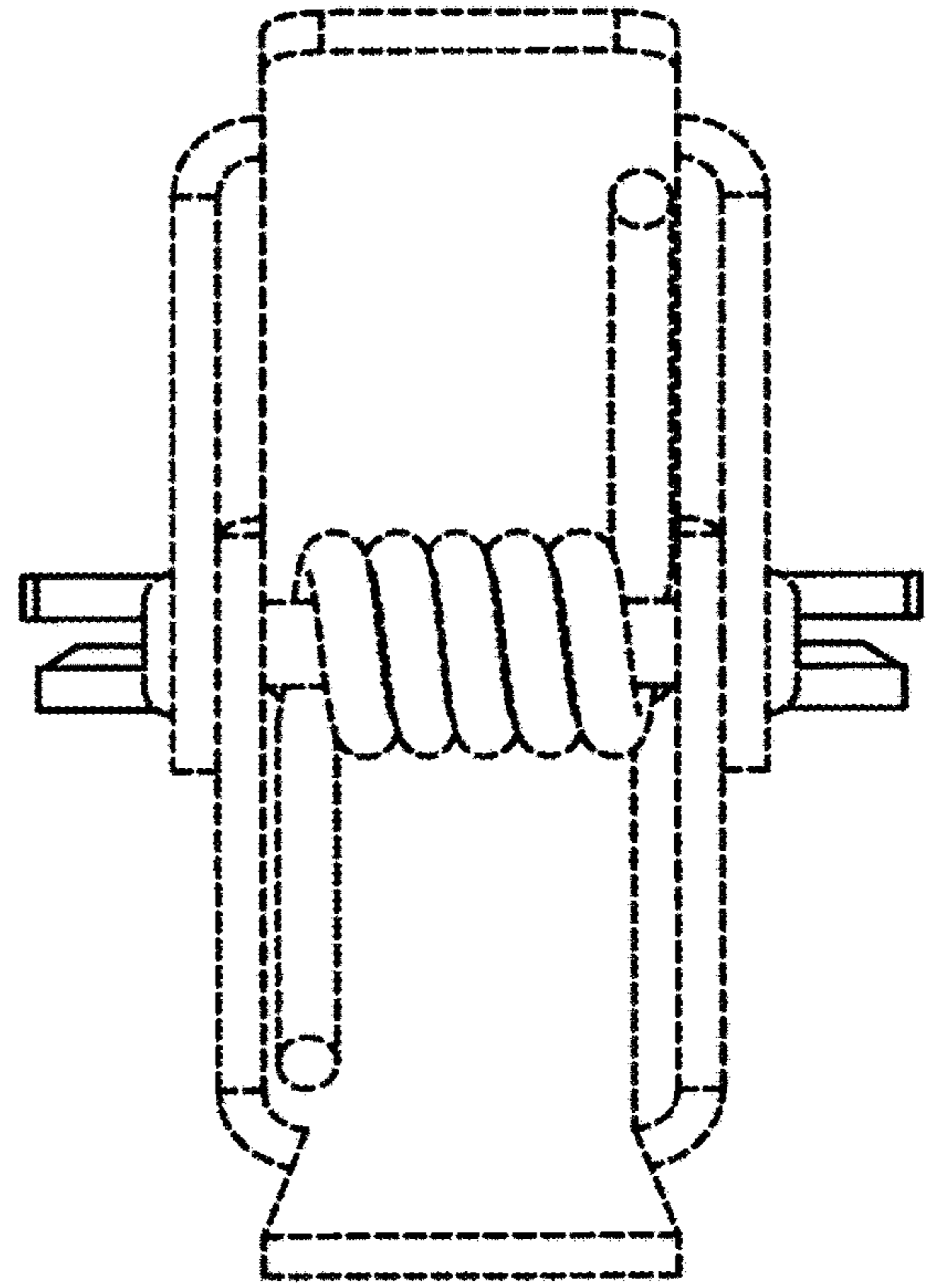


Fig. 8