



US00D916292S

(12) **United States Design Patent**
Takahashi

(10) **Patent No.:** **US D916,292 S**

(45) **Date of Patent:** **** Apr. 13, 2021**

(54) **FOOT CONTROL FOR DENTAL EQUIPMENT**

(71) Applicant: **Nakanishi Inc.**, Kanuma (JP)

(72) Inventor: **Wataru Takahashi**, Kanuma (JP)

(73) Assignee: **Nakanishi Inc.**, Kanuma (JP)

(**) Term: **15 Years**

(21) Appl. No.: **29/703,976**

(22) Filed: **Aug. 30, 2019**

(30) **Foreign Application Priority Data**

Mar. 1, 2019 (JP) 2019-004303

(51) **LOC (13) Cl.** **24-02**

(52) **U.S. Cl.**
USPC **D24/179; D13/167**

(58) **Field of Classification Search**
USPC D24/176-179, 107, 185; D13/167;
D15/72; 433/101
CPC G05G 1/30; A61C 1/0023; A61C 1/0007;
A61C 1/0015
See application file for complete search history.

(56) **References Cited**

U.S. PATENT DOCUMENTS

D542,233 S * 5/2007 Ido D13/167
D542,741 S * 5/2007 Ido D13/167

D586,919 S * 2/2009 Nielsen D24/179
8,692,657 B2 * 4/2014 Villette G05G 1/30
340/12.5
D713,529 S * 9/2014 Li D13/167
10,201,397 B1 * 2/2019 Jones A61C 1/0023
D877,336 S * 3/2020 Harada D13/167

* cited by examiner

Primary Examiner — Wan Laymon

(74) *Attorney, Agent, or Firm* — Banner & Witcoff, Ltd.

(57) **CLAIM**

The ornamental design for a foot control for dental equipment, as shown and described.

DESCRIPTION

FIG. 1 is a front perspective view of a foot control for dental equipment;
FIG. 2 is a rear perspective view thereof;
FIG. 3 is a front view thereof;
FIG. 4 is a rear view thereof;
FIG. 5 is a left side view thereof;
FIG. 6 is a right side view thereof;
FIG. 7 is a top view thereof; and,
FIG. 8 is a bottom view thereof.
The gray shading shown in the drawings is for indicating a three-dimensional shape of the article.

1 Claim, 8 Drawing Sheets

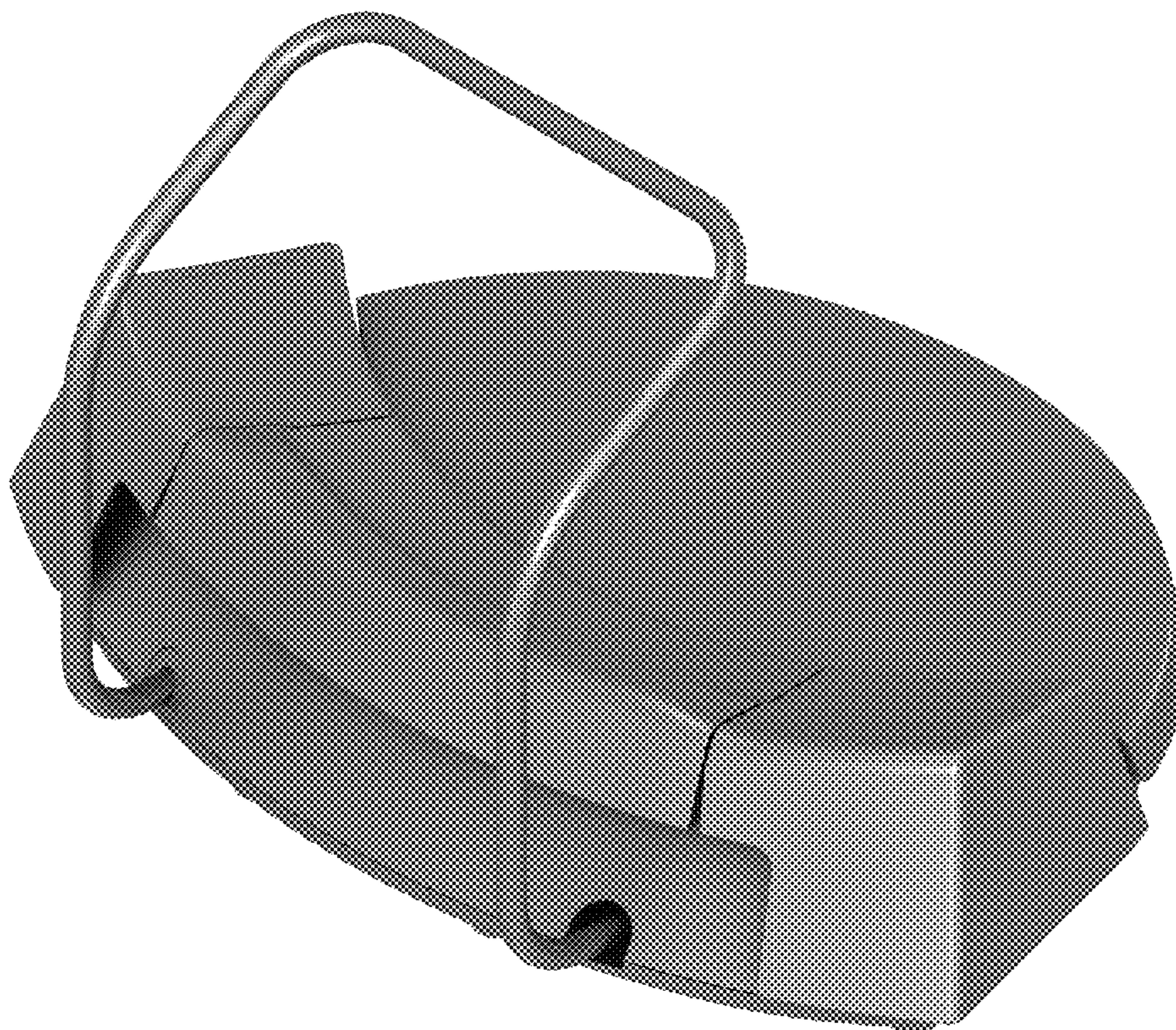


FIG. 1

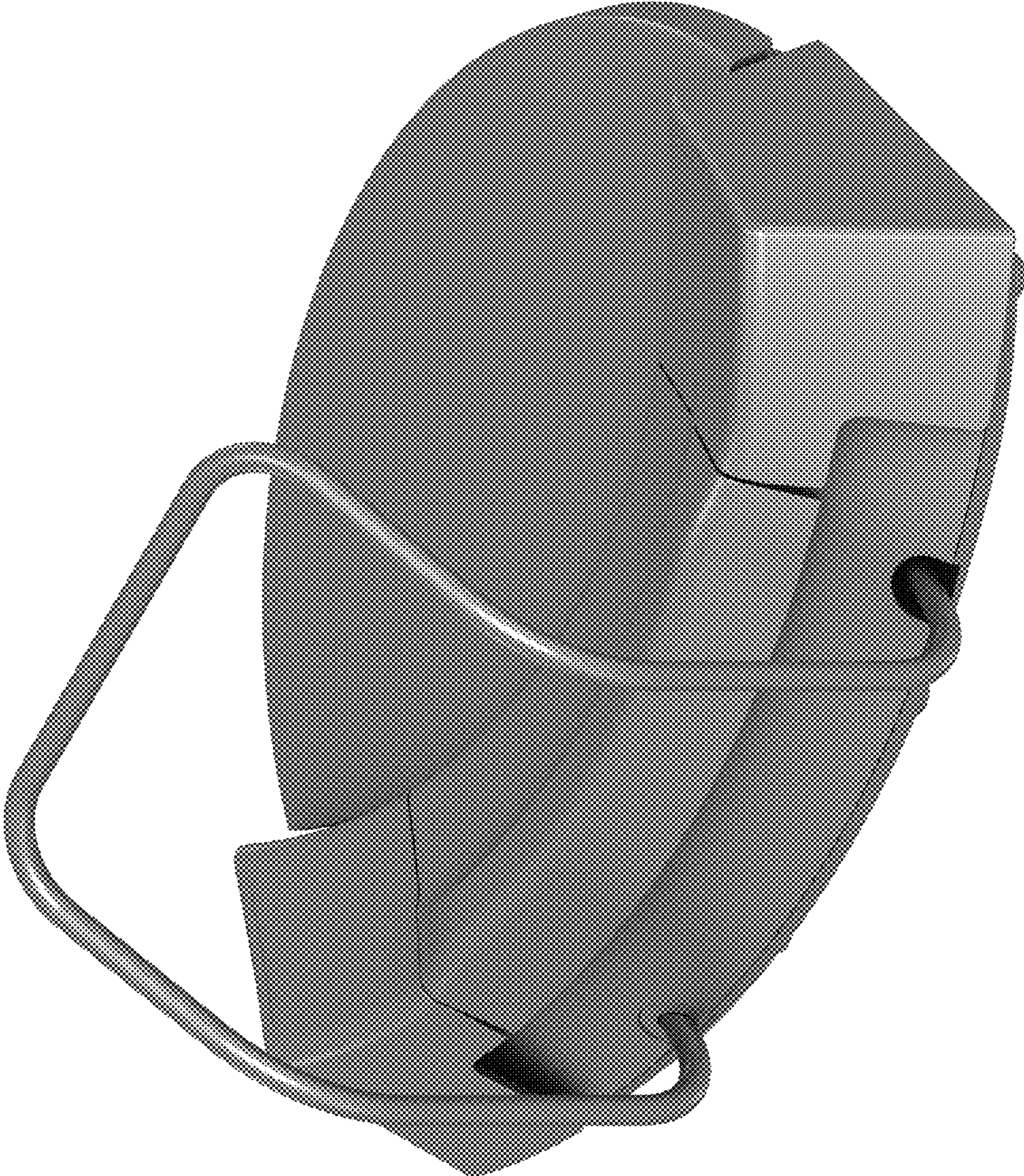


FIG. 2

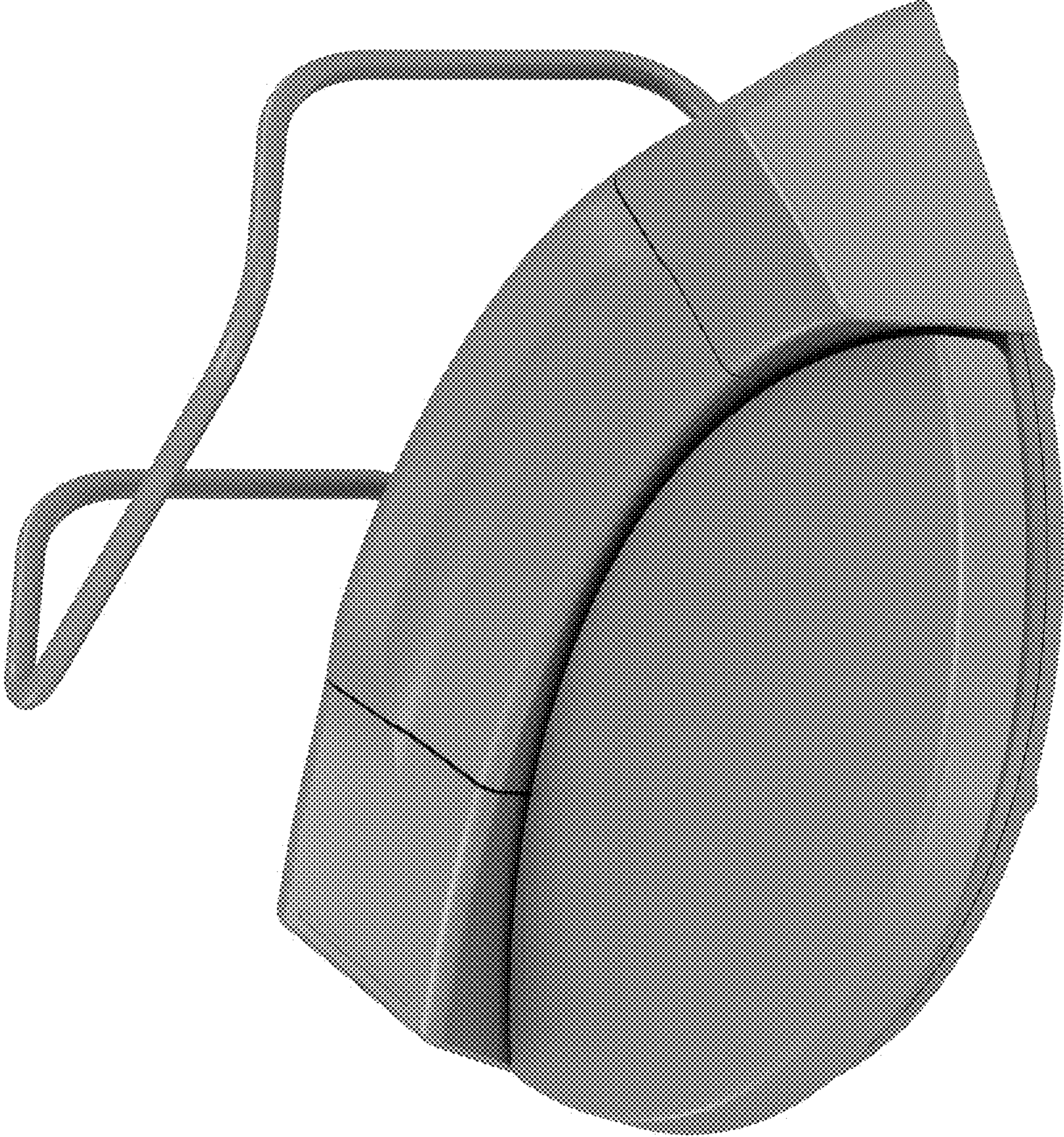


FIG. 3

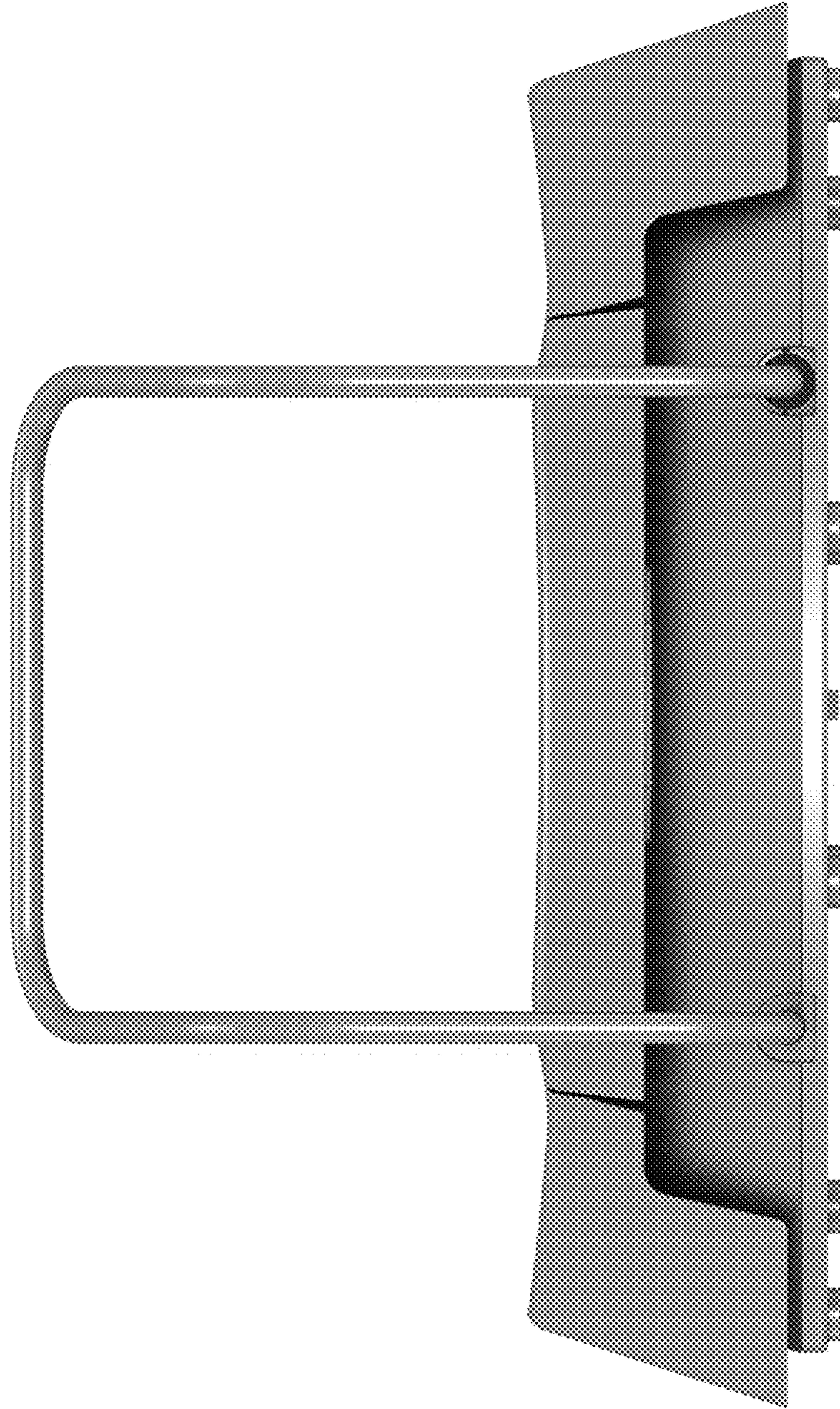


FIG. 4

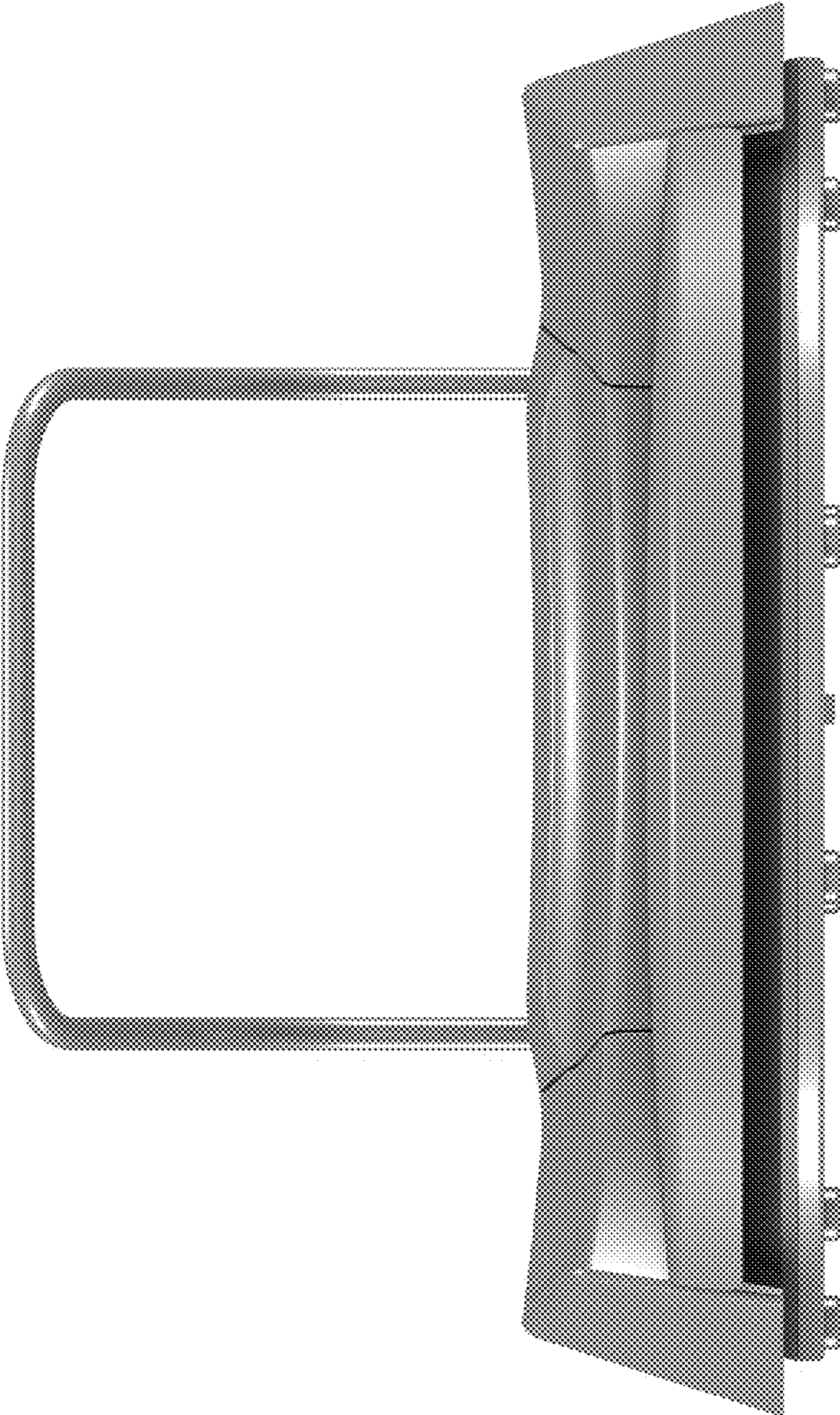


FIG. 5

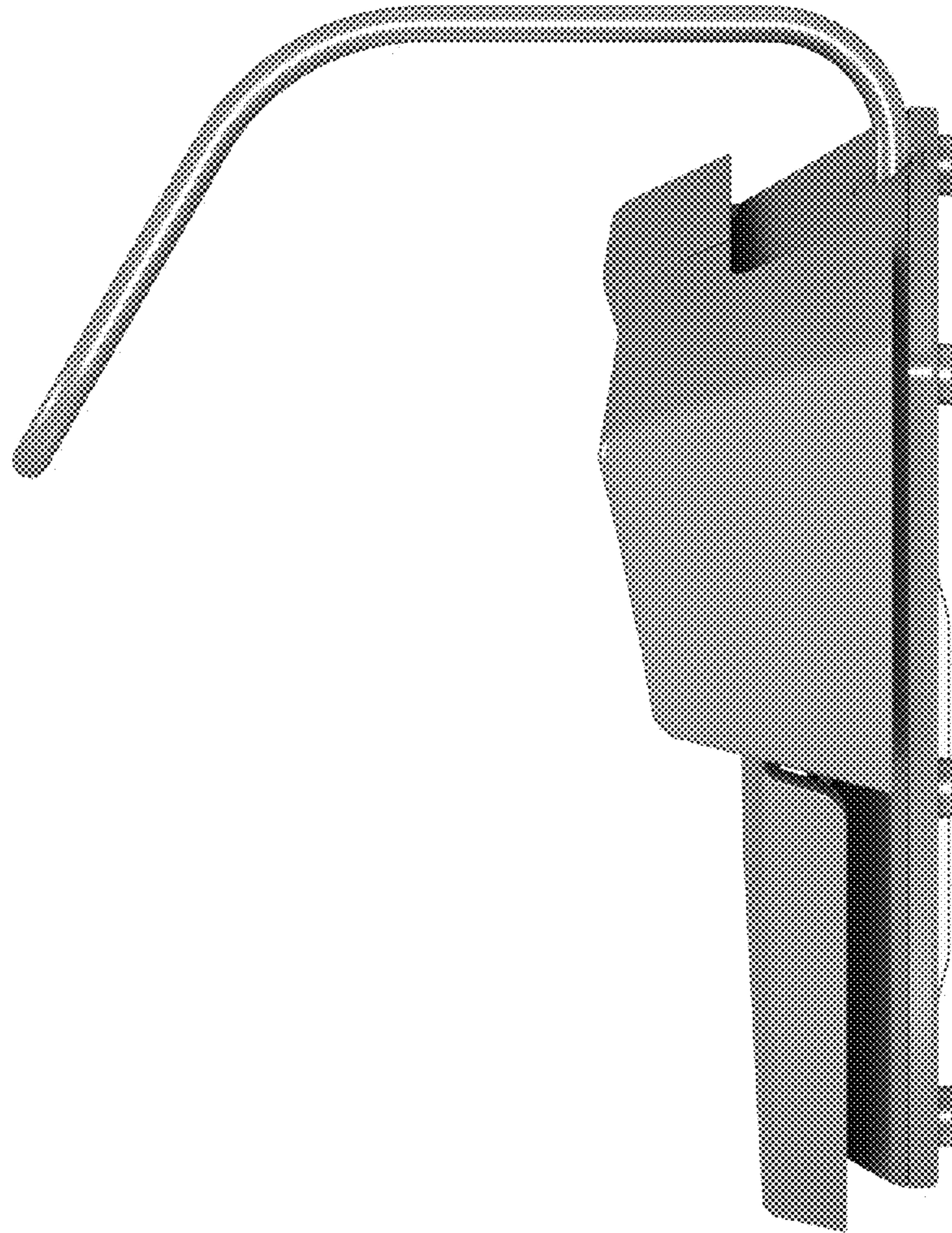


FIG. 6

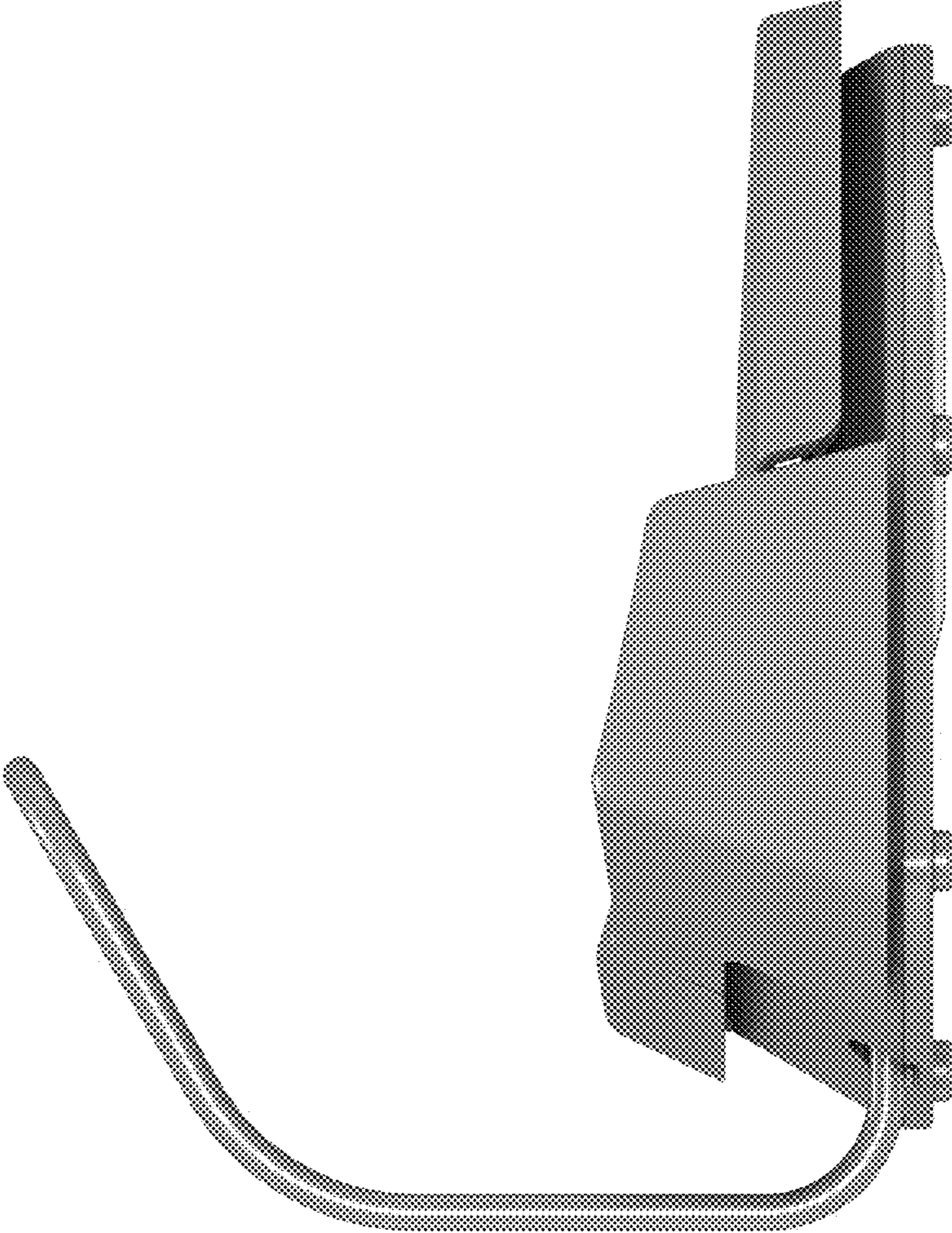


FIG. 7



FIG. 8

