



US00D916291S

(12) **United States Design Patent**  
**Fernando**

(10) **Patent No.:** **US D916,291 S**  
(45) **Date of Patent:** **\*\* Apr. 13, 2021**

(54) **EARPIECE**  
(71) Applicant: **OXIWEAR, INC.**, Arlington, VA (US)  
(72) Inventor: **Shavini Fernando**, Arlington, VA (US)  
(73) Assignee: **OXIWEAR, INC.**, Arlington, VA (US)  
(\*\*) Term: **15 Years**  
(21) Appl. No.: **29/695,171**

(22) Filed: **Jun. 17, 2019**  
(51) **LOC (13) Cl.** ..... **24-02**  
(52) **U.S. Cl.**  
USPC ..... **D24/169**; D14/223  
(58) **Field of Classification Search**  
USPC ..... D14/223, 205; D24/174, 169, 186, 187;  
381/380, 381; 455/90.3, 575.1, 569.1;  
D3/201, 294; D13/108  
CPC ..... H04R 1/10; H04R 25/00; H04R 1/1016;  
H04R 1/1066; H04R 5/033; H04R  
5/0335; H04R 1/1058; G02C 11/06;  
A61B 5/00; A61B 5/01; A61B 5/1455;  
A61B 5/024  
See application file for complete search history.

(56) **References Cited**

**U.S. PATENT DOCUMENTS**

3,145,872 A \* 8/1964 Hayes ..... B65D 47/148  
220/375  
D209,789 S \* 1/1968 Huston ..... D9/435  
D234,968 S \* 4/1975 Ervin ..... D26/67  
D260,134 S \* 8/1981 Bercu ..... D11/153  
D281,033 S \* 10/1985 Mohri ..... D3/295  
D333,560 S \* 3/1993 Miyashita ..... D3/218  
D337,177 S \* 7/1993 Tiramani ..... D28/76  
D350,757 S \* 9/1994 Carpenter ..... D14/223  
6,497,495 B1 \* 12/2002 Janz ..... A63H 33/042  
362/191  
6,580,800 B1 \* 6/2003 Yamasaki ..... H04R 1/105  
381/379

D485,390 S \* 1/2004 Stancik ..... D26/104  
6,677,078 B2 \* 1/2004 Reise ..... H01M 2/105  
429/159  
D504,672 S \* 5/2005 Hirano ..... D14/205  
D512,982 S \* 12/2005 Rodarte ..... D14/205  
D515,069 S \* 2/2006 Naito ..... D14/205  
7,010,137 B1 \* 3/2006 Leedom ..... A61B 5/6817  
381/328  
D551,216 S \* 9/2007 Wei ..... D14/223  
D586,935 S \* 2/2009 Lassen ..... D26/72  
D606,971 S \* 12/2009 Christopher ..... D14/205  
D621,389 S \* 8/2010 Nagayama ..... D14/223  
D633,899 S \* 3/2011 Zheng ..... D14/223

(Continued)

**FOREIGN PATENT DOCUMENTS**

CN 208799232 U 4/2019  
WO WO 2017/1196338 A1 7/2017

**OTHER PUBLICATIONS**

International Search Report and Written Opinion dated Sep. 28, 2020, for International Application No. PCT/US2020/038146.

*Primary Examiner* — Paula Allen Greene  
(74) *Attorney, Agent, or Firm* — Cooley LLP

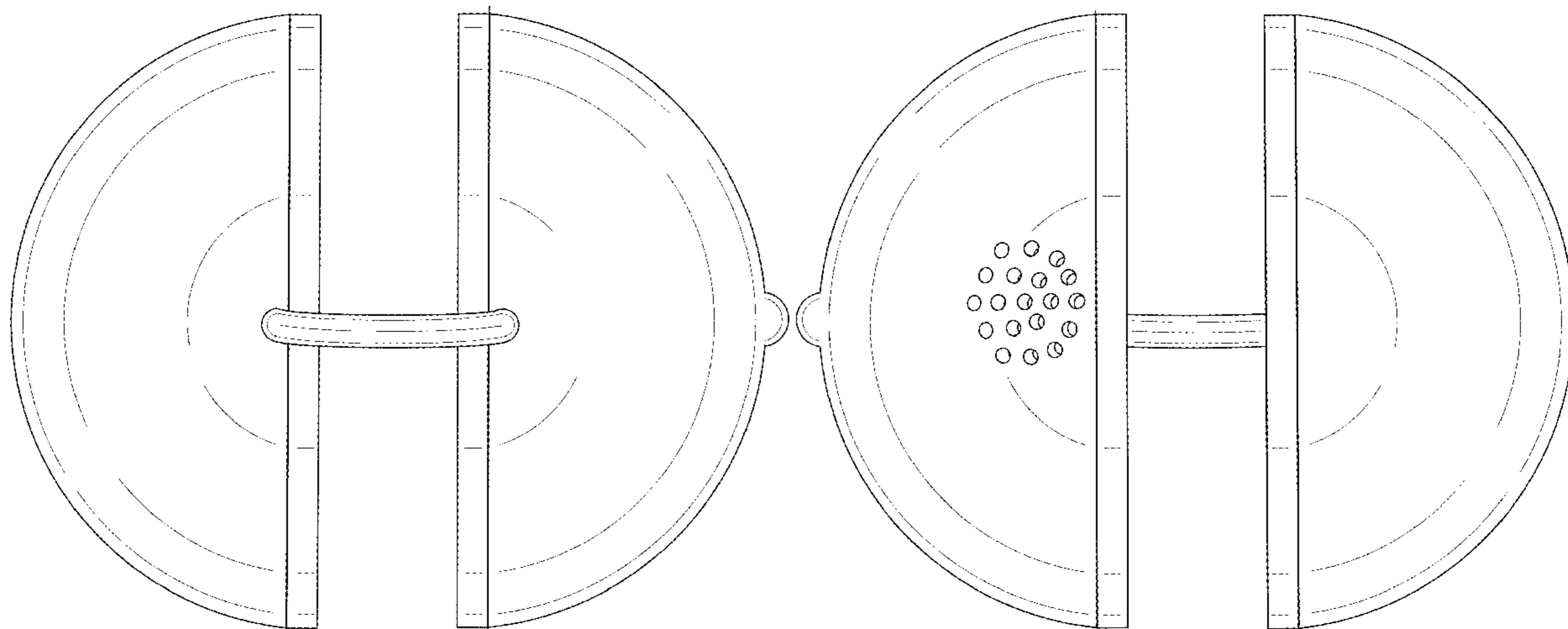
(57) **CLAIM**

The ornamental design for an earpiece, as shown and described.

**DESCRIPTION**

FIG. 1 is a top view of an earpiece showing my new design; FIG. 2 is a bottom view thereof; FIG. 3 is a rear view thereof; FIG. 4 is a front view thereof; FIG. 5 is a right side view thereof; FIG. 6 is a left side view thereof; FIG. 7 is a first perspective view thereof; and, FIG. 8 is a second perspective view thereof.

**1 Claim, 8 Drawing Sheets**



(56)

References Cited

U.S. PATENT DOCUMENTS

7,983,437 B2 \* 7/2011 Wong ..... H04R 1/1075  
 381/370  
 D648,470 S \* 11/2011 Rains ..... D26/60  
 D651,208 S \* 12/2011 Pacyga ..... D14/358  
 D652,817 S \* 1/2012 Lee ..... D14/205  
 D670,396 S \* 11/2012 Doogan ..... D24/200  
 D671,096 S \* 11/2012 Song ..... D14/223  
 8,345,912 B2 \* 1/2013 Akihiko ..... H04R 1/105  
 381/381  
 D683,331 S \* 5/2013 Nylen ..... D14/223  
 D698,026 S \* 1/2014 Kuwata ..... D24/174  
 D699,226 S \* 2/2014 Yoon ..... D14/223  
 D708,377 S \* 7/2014 Osiecki ..... D26/37  
 8,891,800 B1 \* 11/2014 Shaffer ..... H04R 1/1025  
 381/384  
 8,983,108 B2 \* 3/2015 Ho ..... H04R 1/1016  
 381/380  
 D727,301 S \* 4/2015 Smith ..... D14/223  
 D740,223 S \* 10/2015 Yoneta ..... D13/108  
 D740,786 S \* 10/2015 Huang ..... D14/205  
 D751,053 S \* 3/2016 Shin ..... D14/205  
 D756,971 S \* 5/2016 Park ..... D14/223  
 D758,901 S \* 6/2016 Benoit ..... D10/70  
 D771,599 S \* 11/2016 Kim ..... D14/223  
 D783,422 S \* 4/2017 Kashimoto ..... D10/50  
 D786,221 S \* 5/2017 Stoch ..... D14/223

D801,312 S \* 10/2017 Birger ..... H04R 1/1025  
 D14/223  
 D809,664 S \* 2/2018 Ma ..... D24/169  
 D814,457 S \* 4/2018 Willis ..... D14/344  
 D821,392 S \* 6/2018 Kwon ..... D14/344  
 D835,286 S \* 6/2018 Sebban ..... D24/187  
 D822,007 S \* 7/2018 Willis ..... D14/223  
 D846,264 S \* 4/2019 Wu ..... D3/201  
 D853,350 S \* 7/2019 Linden ..... D14/205  
 D853,358 S \* 7/2019 Damboulev ..... D14/223  
 D853,992 S \* 7/2019 Kuh ..... D14/223  
 D853,993 S \* 7/2019 Kuh ..... D14/223  
 D855,808 S \* 8/2019 Smith ..... D24/169  
 D863,261 S \* 10/2019 Zhu ..... D14/223  
 D873,217 S \* 1/2020 Zhang ..... D13/108  
 D880,458 S \* 4/2020 Minarsch ..... D14/223  
 D886,083 S \* 6/2020 Cho ..... D14/223  
 D890,136 S \* 7/2020 Cohen ..... D14/223  
 D891,774 S \* 8/2020 Yu ..... D3/294  
 D892,770 S \* 8/2020 Gao ..... D14/223  
 D894,123 S \* 8/2020 Xiong ..... D13/108  
 2009/0227852 A1 9/2009 Glaser  
 2011/0034783 A1 2/2011 Lisogurski et al.  
 2012/0253159 A1 10/2012 Medina et al.  
 2014/0243617 A1 8/2014 LeBoeuf et al.  
 2015/0305674 A1 10/2015 McPherson et al.  
 2016/0081562 A1 3/2016 Lachman  
 2017/0094394 A1 \* 3/2017 McPeak ..... H04R 1/1025  
 2019/0117159 A1 4/2019 Peeters  
 2020/0390402 A1 12/2020 Fernando

\* cited by examiner

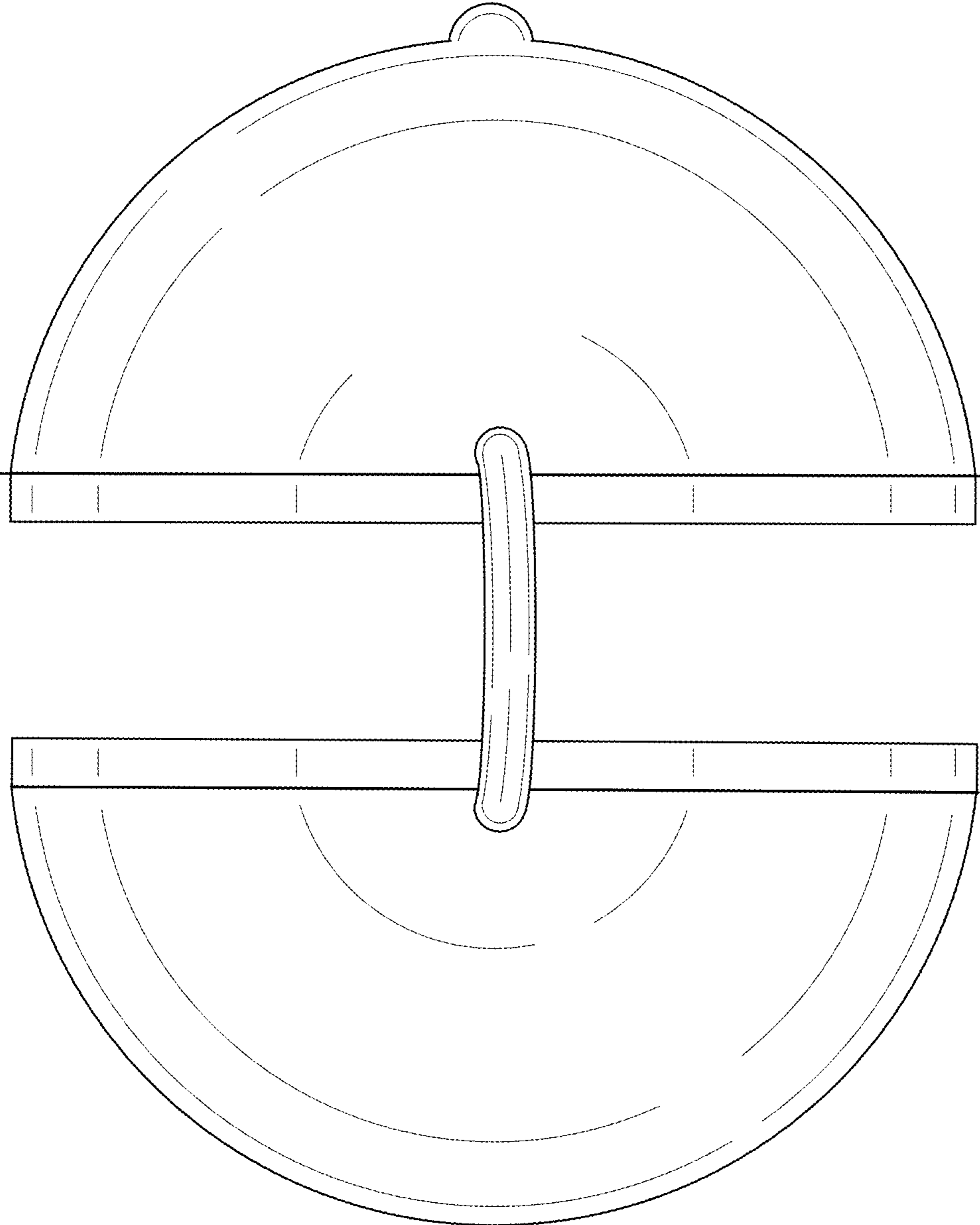


FIG. 1

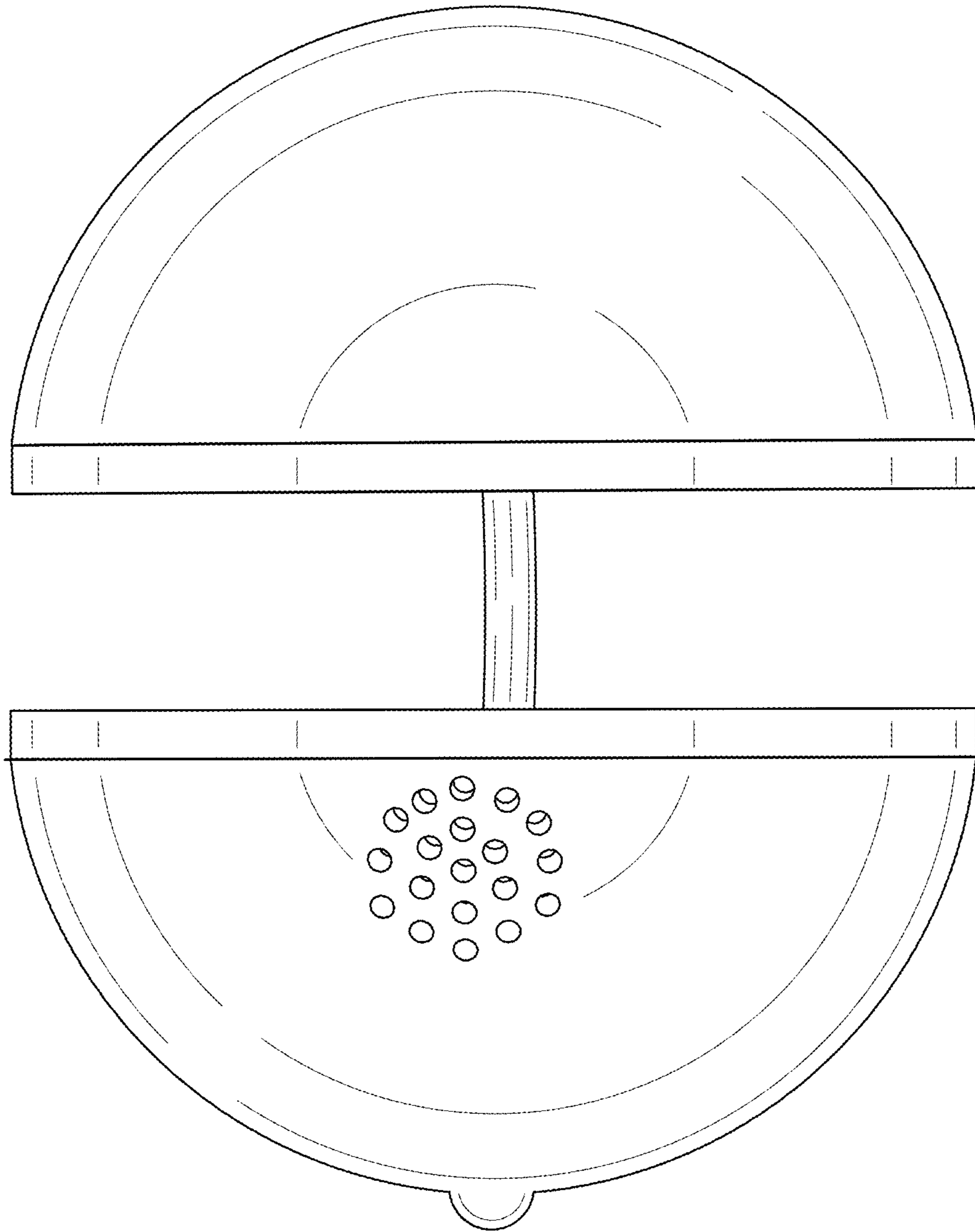


FIG. 2

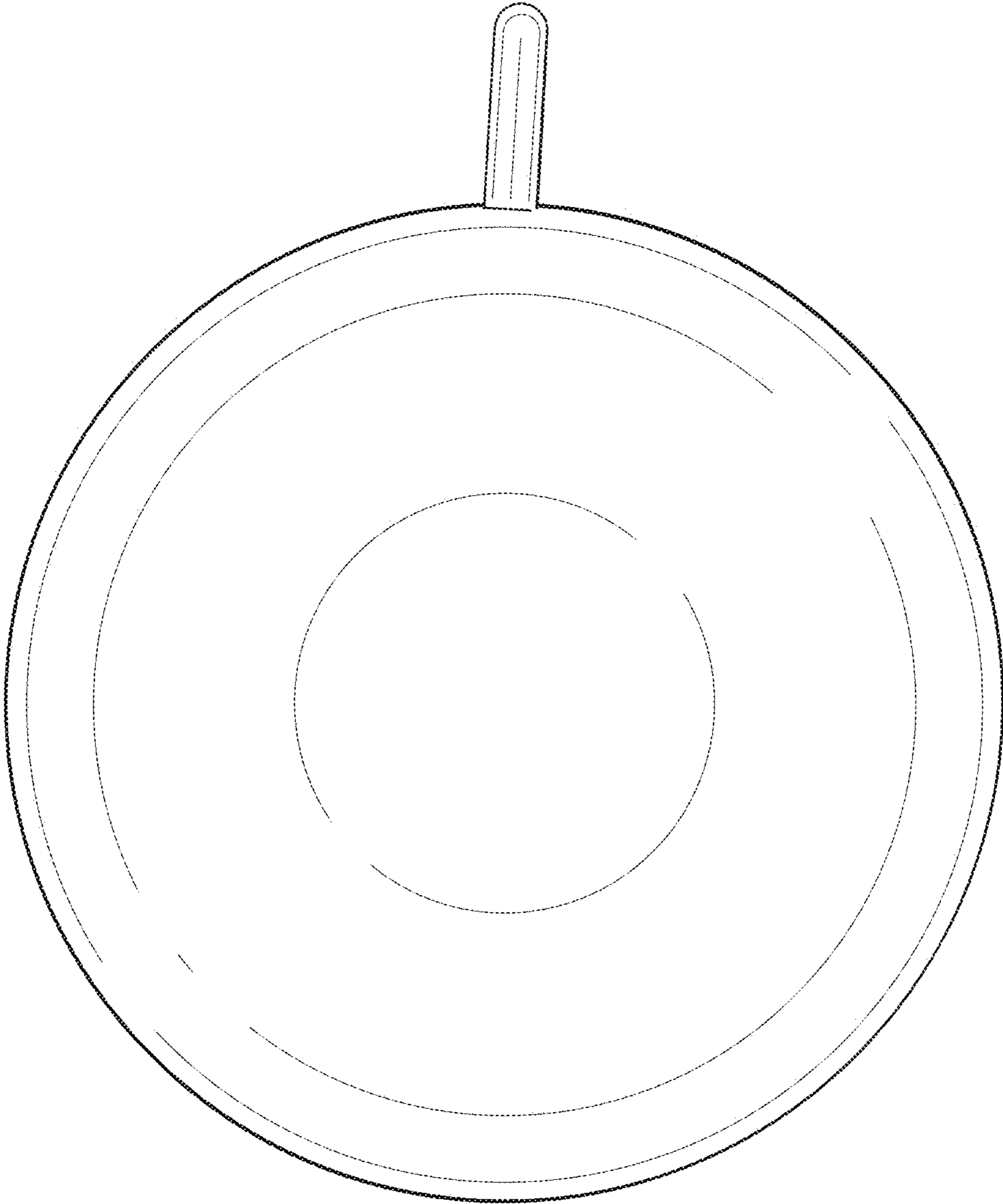


FIG. 3

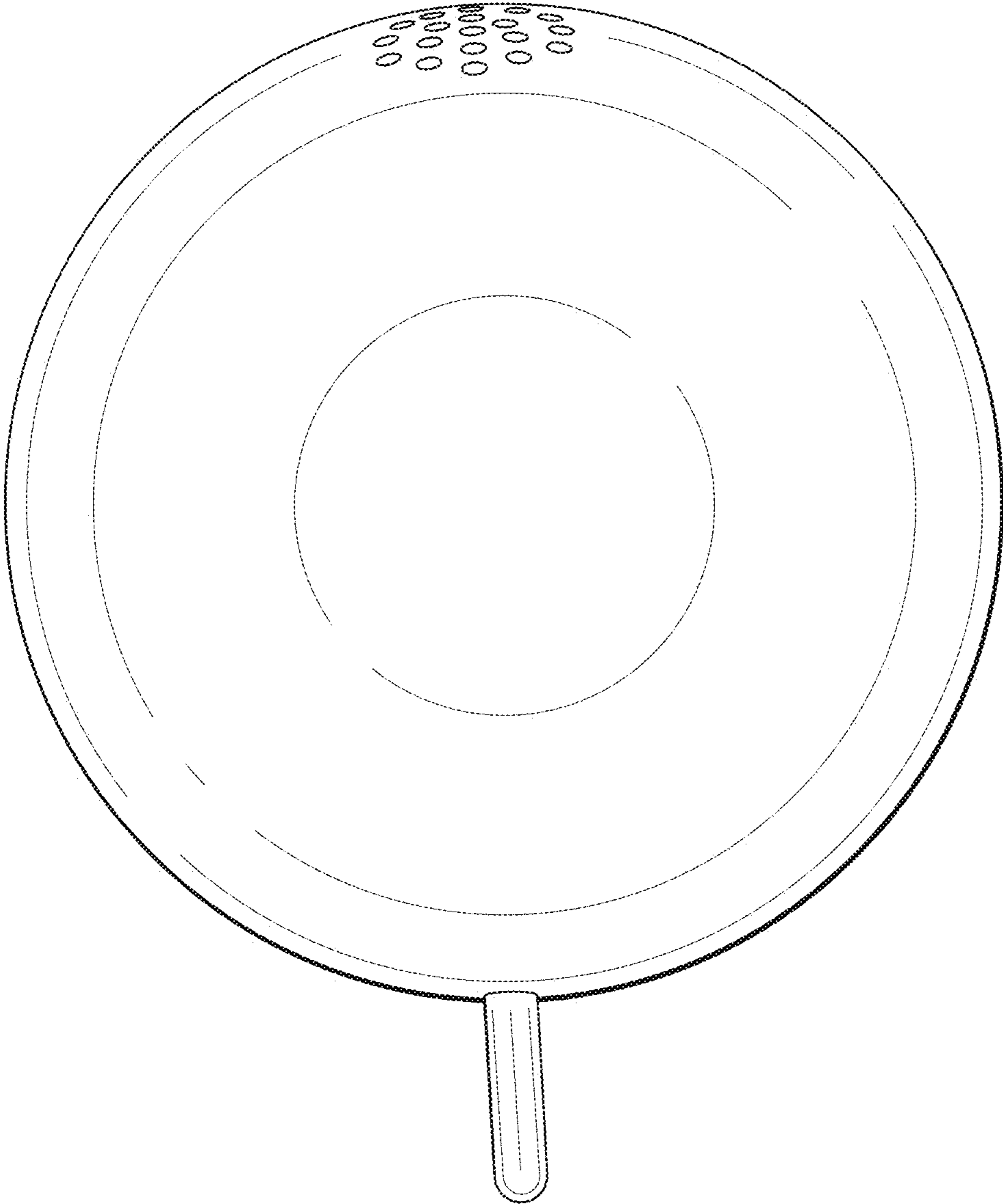


FIG. 4

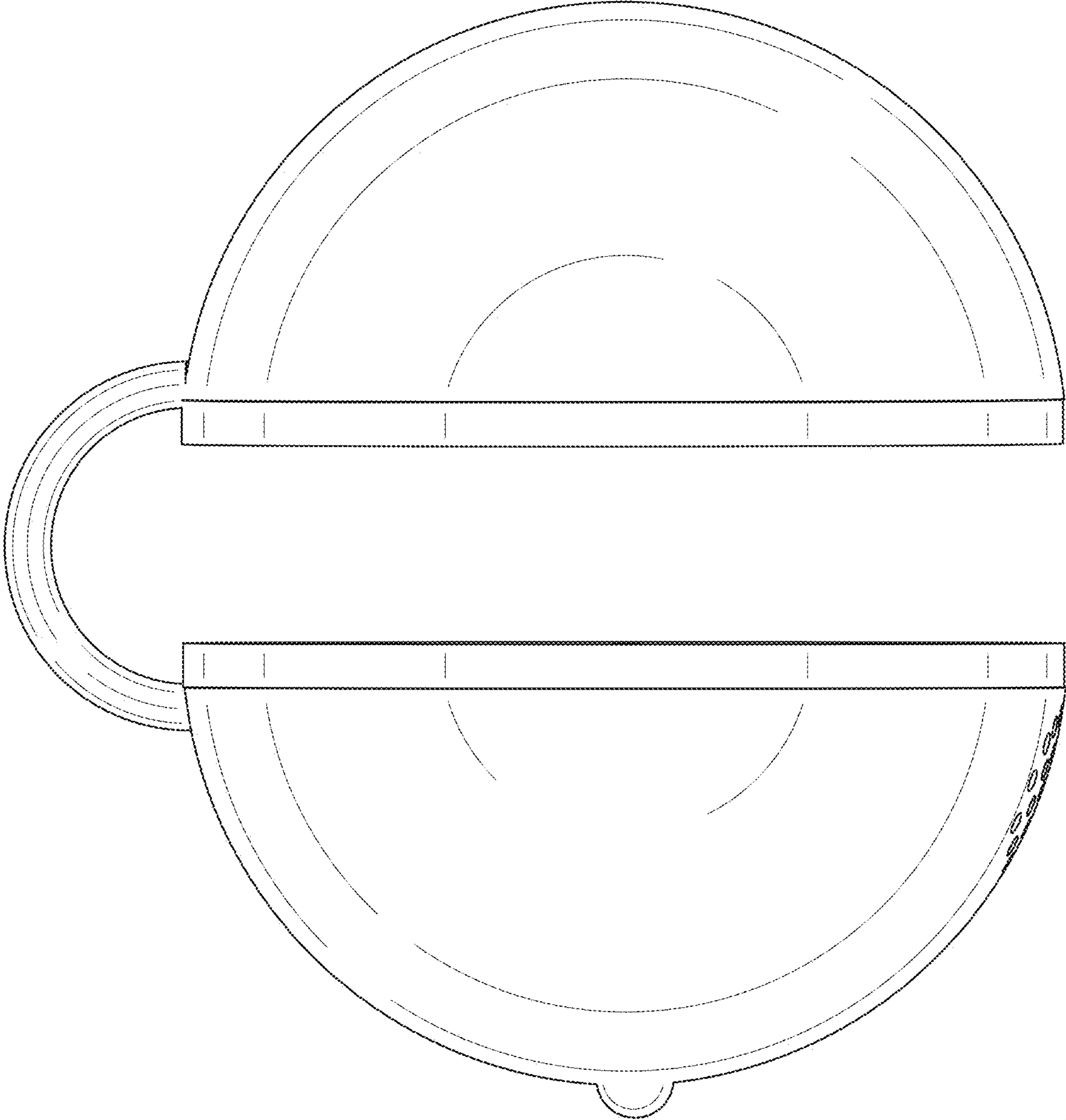


FIG. 5

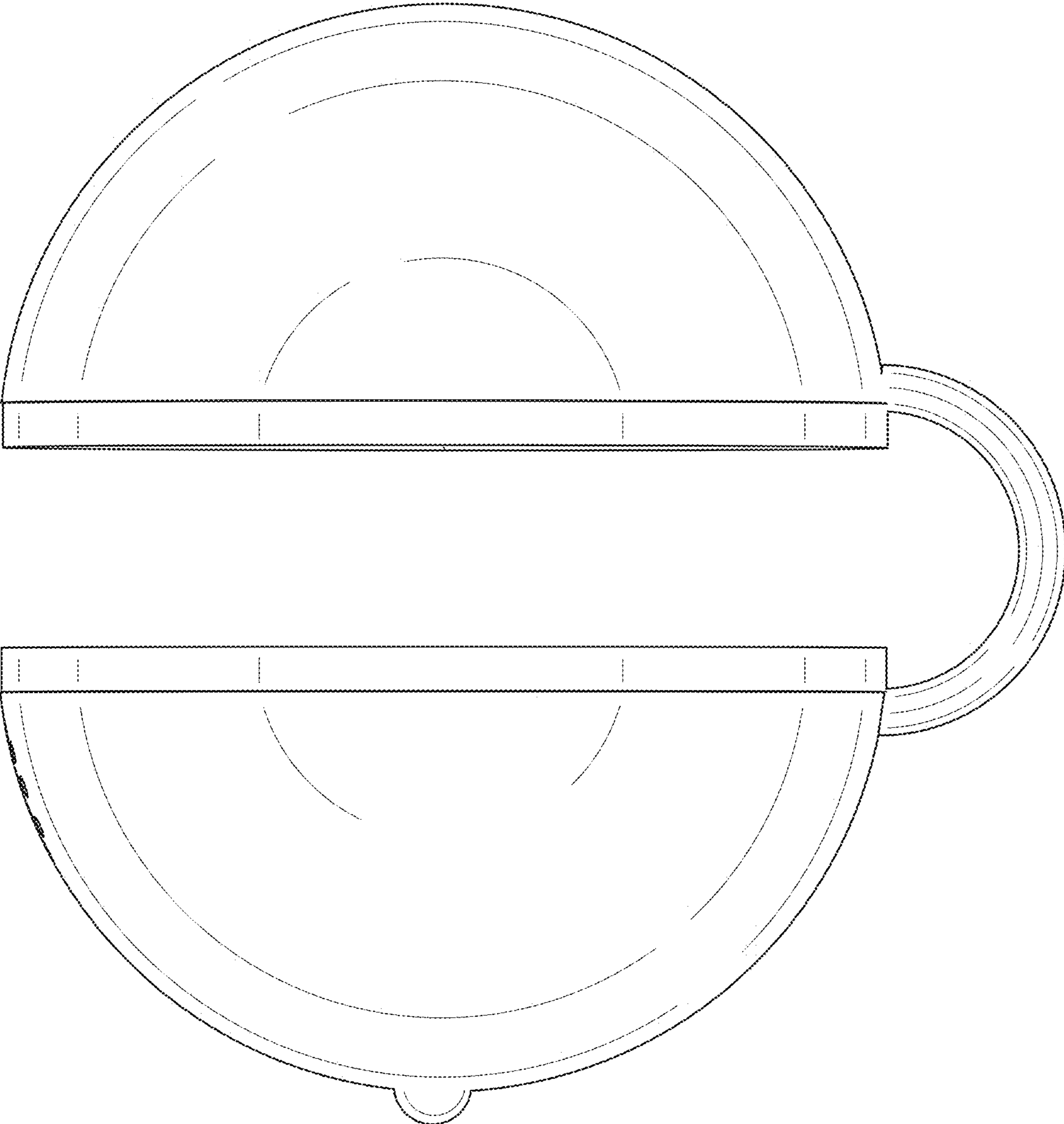


FIG. 6



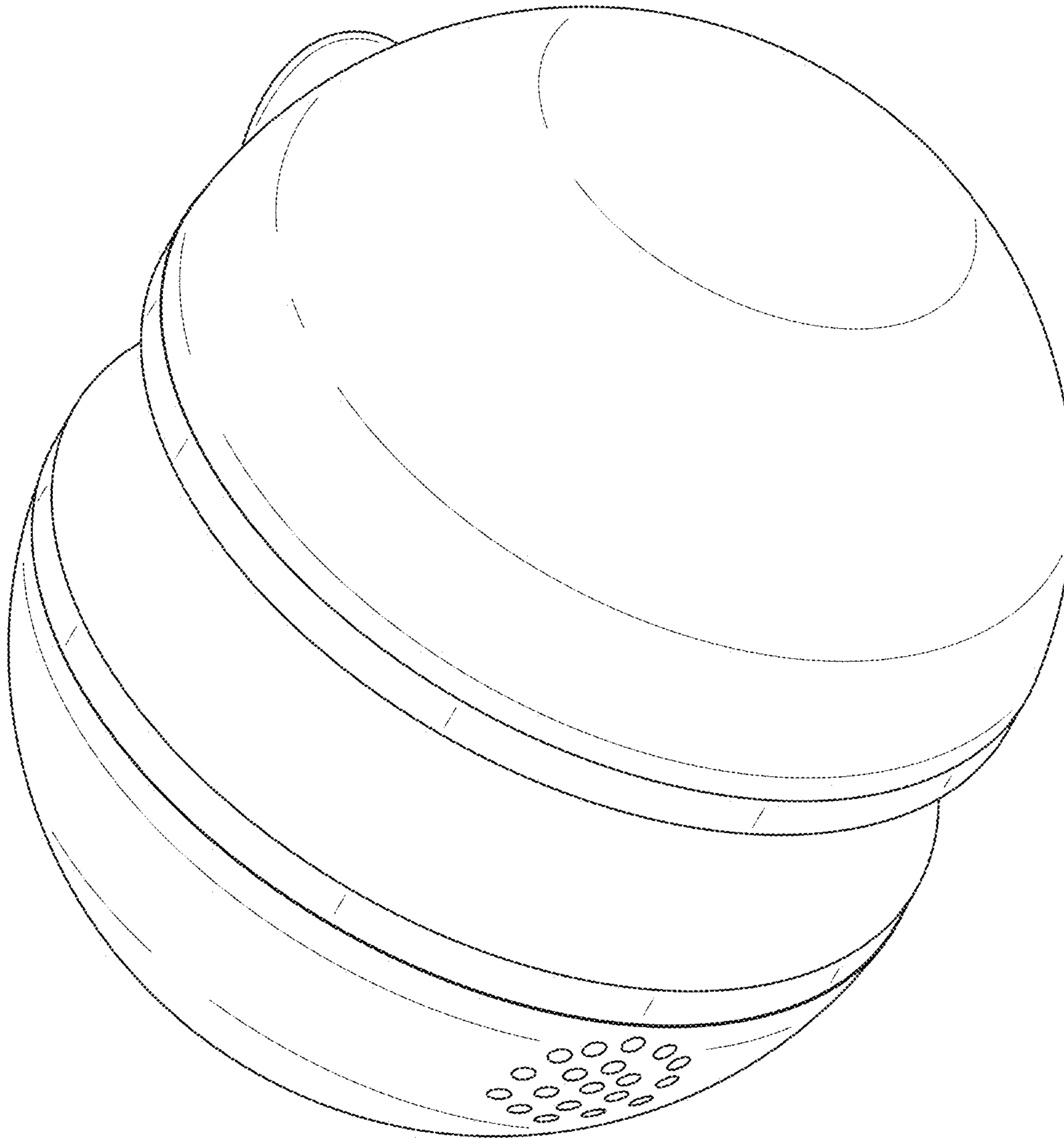


FIG. 7

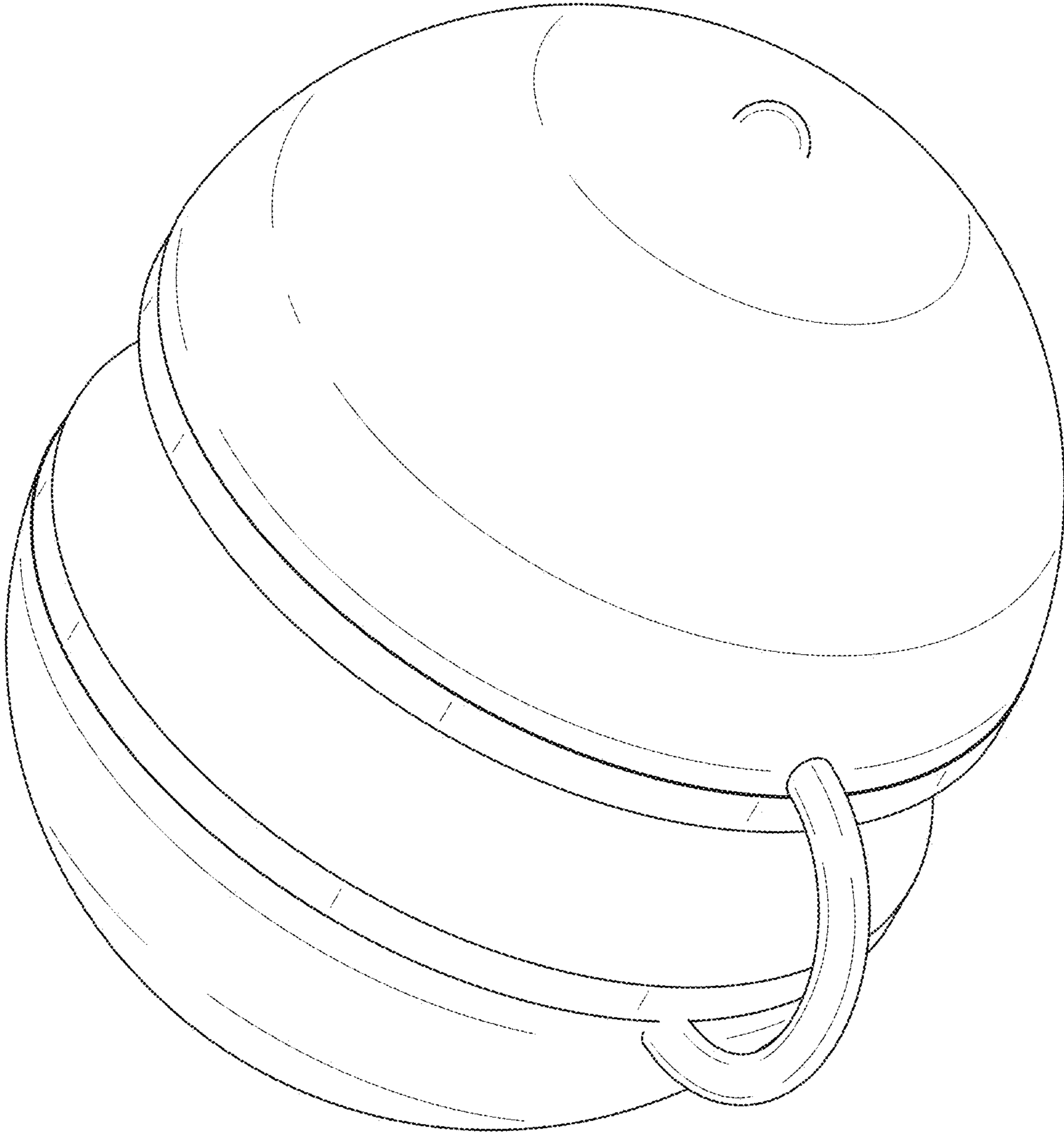


FIG. 8