



US00D916288S

(12) **United States Design Patent** (10) **Patent No.:** **US D916,288 S**  
**Hansen et al.** (45) **Date of Patent:** **\*\* Apr. 13, 2021**

(54) **HANDHELD INTRAORAL SCANNER**

(71) Applicant: **3Shape A/S**, Copenhagen K (DK)

(72) Inventors: **Eskild Hansen**, Copenhagen (DK);  
**Mikael Nielsen**, Copenhagen (DK);  
**Sindri Sighvatsson**, Copenhagen Ø  
(DK); **Casper Rasmussen**, Copenhagen  
K (DK); **Troels Arned**, Copenhagen K  
(DK); **Anders Larsen**, Copenhagen K  
(DK); **Rasmus Funk**, Copenhagen K  
(DK)

(73) Assignee: **3SHAPE A/S**, Copenhagen K (DK)

(\*\*) Term: **15 Years**

(21) Appl. No.: **29/683,254**

(22) Filed: **Mar. 12, 2019**

(51) **LOC (13) Cl.** ..... **24-02**

(52) **U.S. Cl.**  
USPC ..... **D24/152**

(58) **Field of Classification Search**  
USPC ..... D24/133, 137, 152, 158, 176, 177;  
D14/426, 453, 471; 362/20, 431;  
433/23, 30, 31; 348/66  
CPC .... A61C 1/06; A61C 1/07; A61C 1/10; A61C  
1/16; A61C 1/088; A61C 1/0053; A61C  
1/0015; A61C 19/00; A61C 19/003; A61C  
19/004; A61C 3/0085; F21S 8/085; A61B  
2018/0091; A61B 6/425; A61B 5/0088  
See application file for complete search history.

(56) **References Cited**

**U.S. PATENT DOCUMENTS**

5,771,067 A \* 6/1998 Williams ..... A61B 1/00177  
348/66  
D526,320 S \* 8/2006 Brandon ..... D14/426  
D542,802 S \* 5/2007 Woodcock ..... D14/426  
D558,345 S \* 12/2007 Witt ..... D24/152  
D674,091 S \* 1/2013 Carlson ..... D24/152

8,360,771 B2 1/2013 Stookey et al.  
D683,022 S \* 5/2013 Moon ..... D24/158  
D722,164 S \* 2/2015 Graham, II ..... D24/152  
D742,531 S \* 11/2015 Pippel ..... D24/187  
D774,193 S \* 12/2016 Makmel ..... D24/152  
D780,182 S \* 2/2017 Klein ..... D14/426  
D785,176 S \* 4/2017 Tseng ..... D24/152  
D806,248 S 12/2017 Makmel et al.  
D810,293 S \* 2/2018 Peel ..... D24/152  
D827,137 S 8/2018 Miller  
D829,325 S \* 9/2018 Frenkler ..... D24/138  
D838,273 S \* 1/2019 Memke ..... D14/426  
D862,697 S 10/2019 Kenworthy et al.

(Continued)

**OTHER PUBLICATIONS**

Design U.S. Appl. No. 29/683,257, filed Mar. 12, 2019.  
Design U.S. Appl. No. 29/683,258, filed Mar. 12, 2019.

*Primary Examiner* — Wan Laymon

*Assistant Examiner* — Clint A Samuel

(74) *Attorney, Agent, or Firm* — Polson Intellectual  
Property Law, PC; Margaret Polson

(57) **CLAIM**

The ornamental design for a handheld intraoral scanner, as shown and described.

**DESCRIPTION**

FIG. 1 is a left side isometric view of our new design for a handheld intraoral scanner.

FIG. 2 is a left side elevation view of FIG. 1.

FIG. 3 is a right side elevation view of FIG. 1.

FIG. 4 is a front side elevation view of FIG. 1.

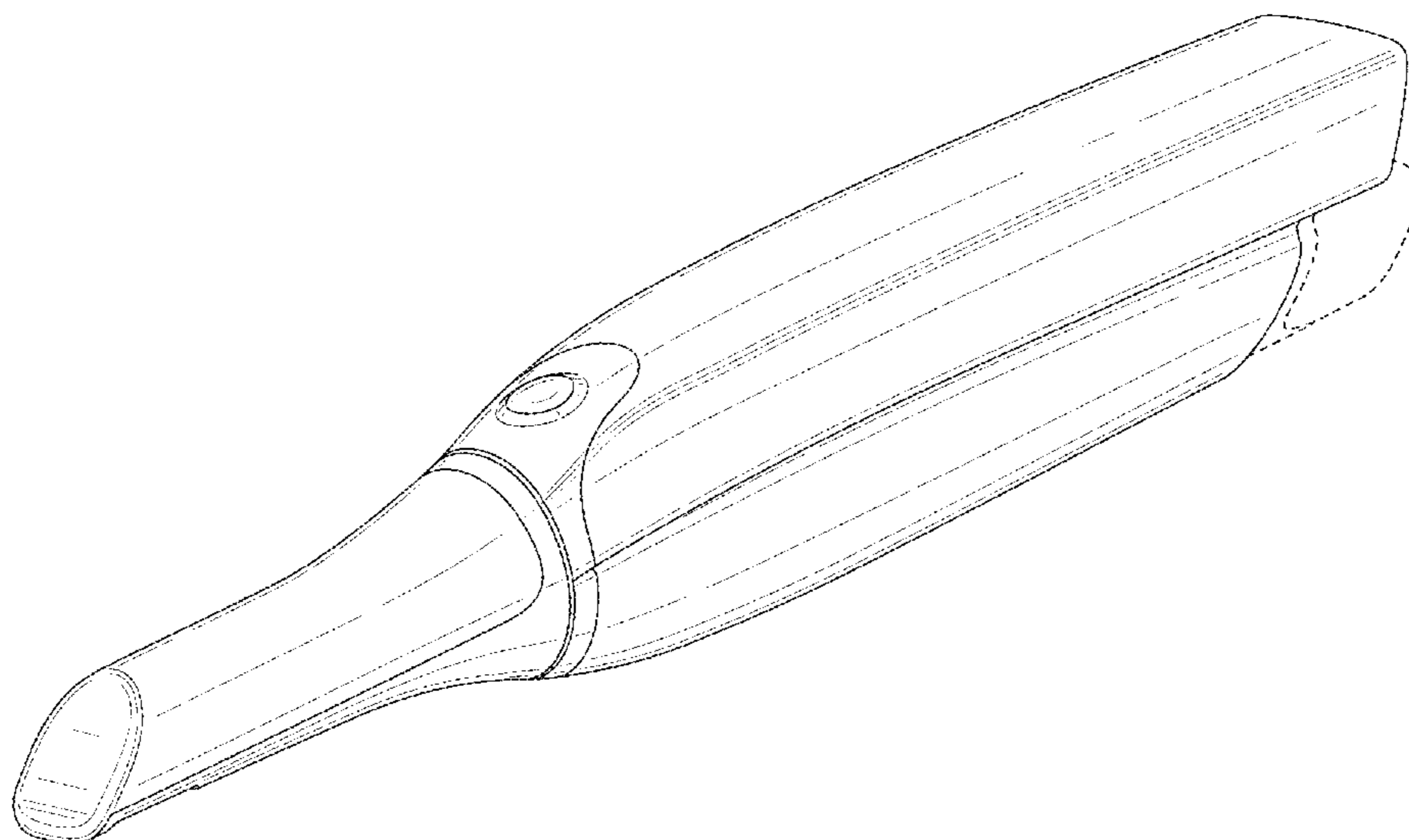
FIG. 5 is a back side elevation view of FIG. 1.

FIG. 6 is a top plan view of FIG. 1; and,

FIG. 7 is a bottom plan view of FIG. 1.

The broken lines shown in drawings are included for the purpose of illustrating portions of the handheld intraoral scanner, and form no part of the claimed design.

**1 Claim, 4 Drawing Sheets**



(56)

**References Cited**

U.S. PATENT DOCUMENTS

10,492,893 B2 12/2019 Van Der Poel et al.  
D878,588 S \* 3/2020 Chang ..... D24/152  
D908,160 S \* 1/2021 Sun ..... D16/208  
10,888,399 B2 \* 1/2021 Kopelman ..... A61B 34/25  
D910,182 S \* 2/2021 Dacosta ..... D24/158  
D910,850 S \* 2/2021 Hansen ..... D24/152  
2016/0256054 A1 9/2016 Hollenbeck et al.  
2016/0256245 A1 9/2016 Van Der Poel et al.  
2019/0142261 A1 5/2019 Kaneda  
2019/0183620 A1 \* 6/2019 Peterson ..... F21V 23/003  
2019/0247163 A1 \* 8/2019 Wu ..... A61C 9/0053  
2019/0269485 A1 9/2019 Elbaz et al.  
2020/0093371 A1 3/2020 Christie  
2020/0405140 A1 \* 12/2020 Lin ..... A61B 1/128  
2021/0045637 A1 \* 2/2021 Chang ..... A61B 5/0079

\* cited by examiner

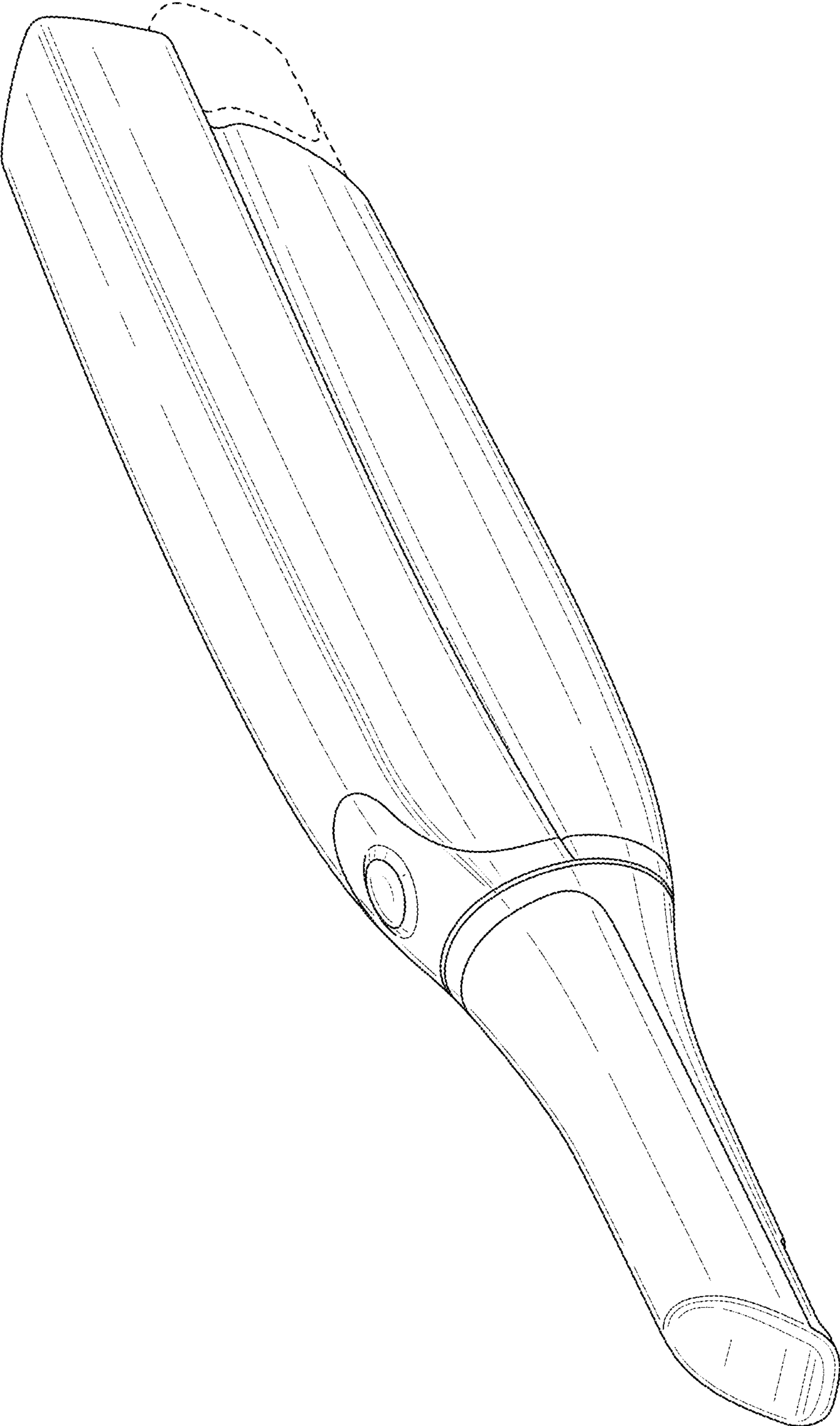


FIG. 1

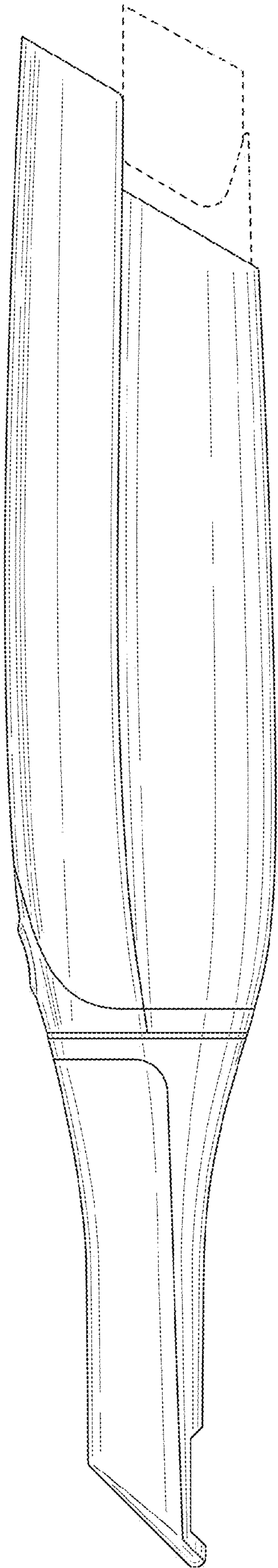


FIG. 2

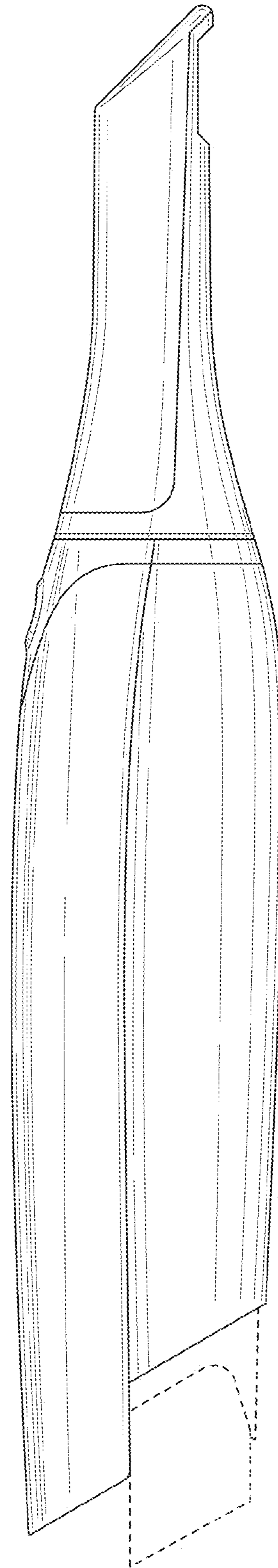


FIG. 3

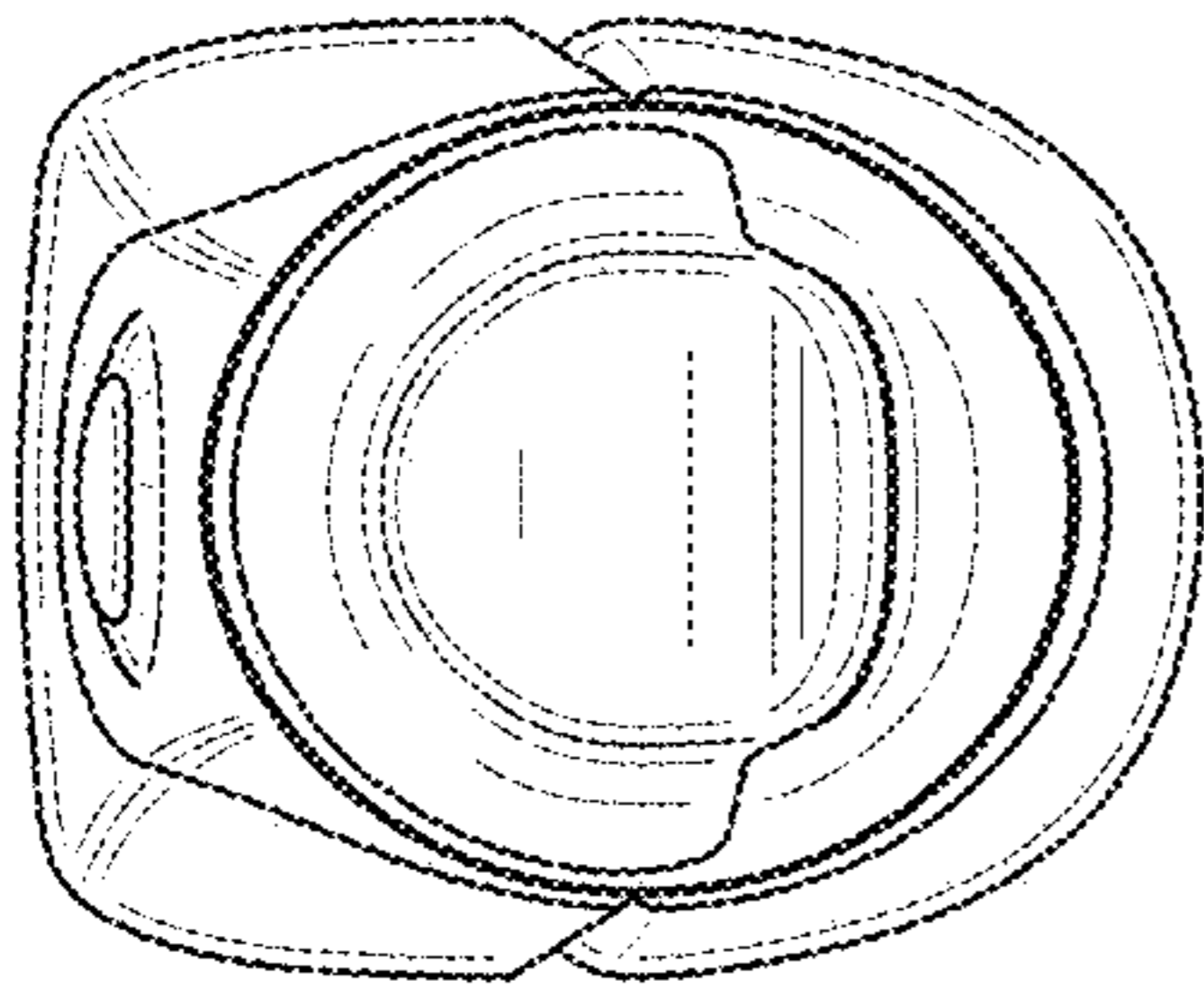


FIG. 4

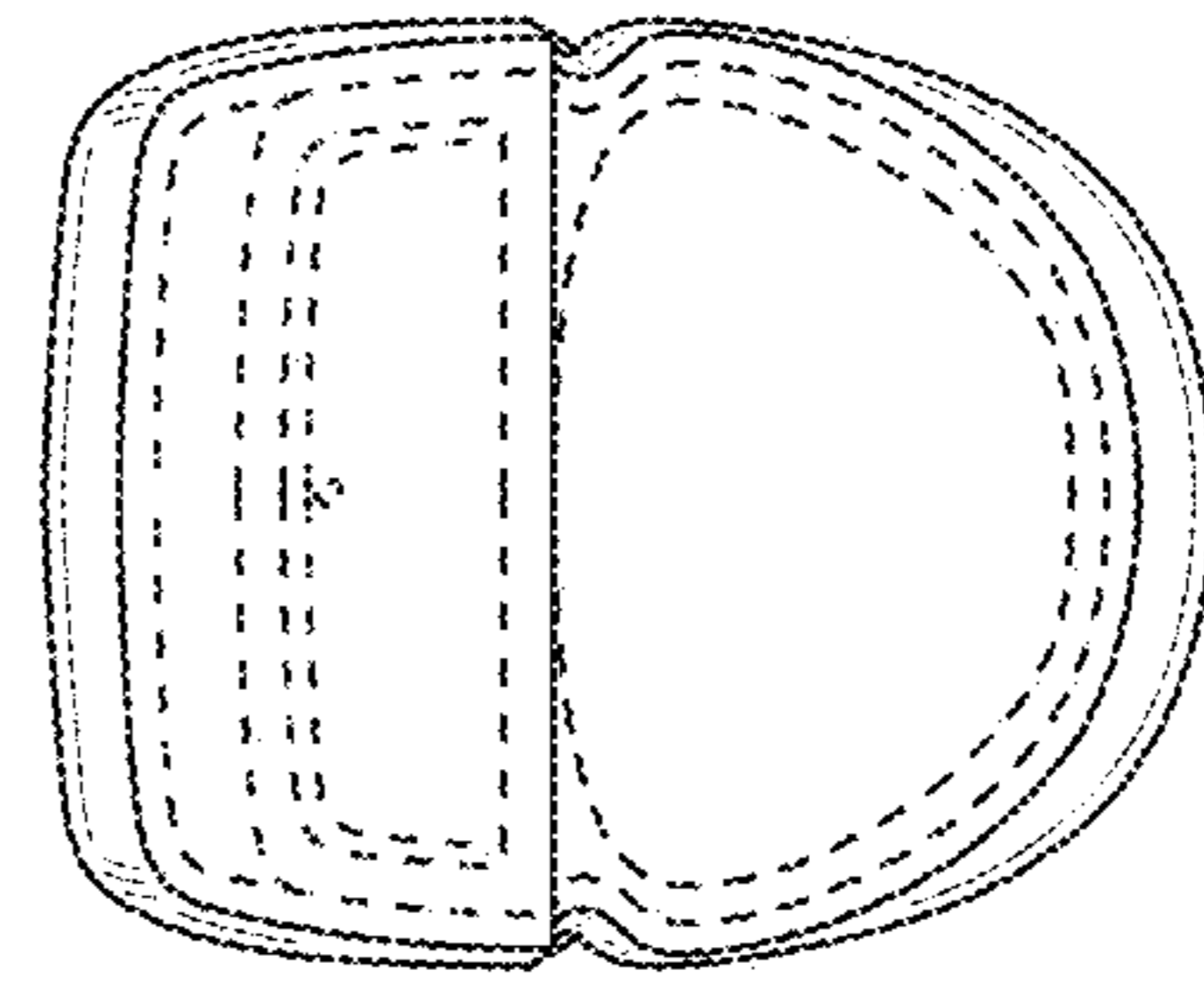


FIG. 5

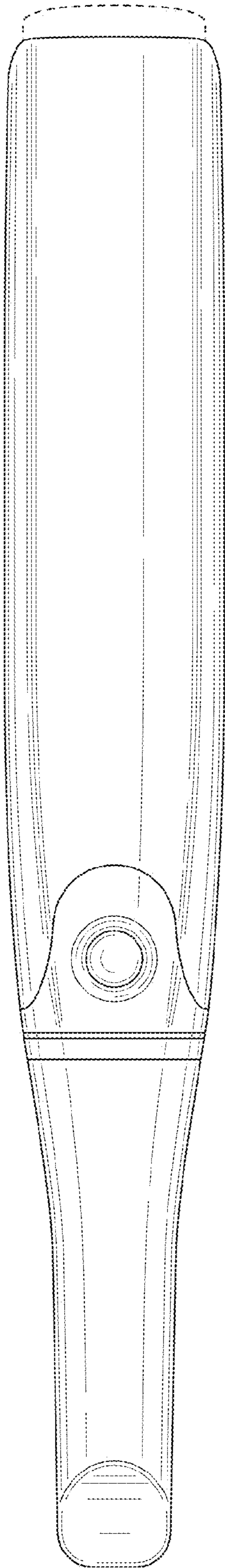


FIG. 6

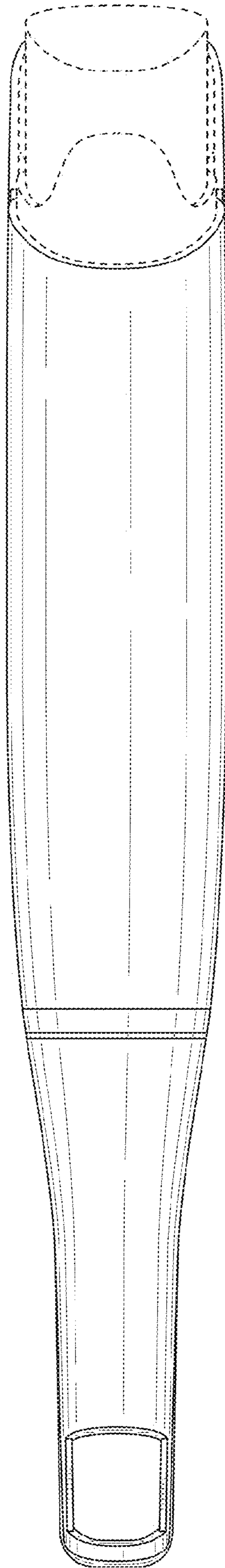


FIG. 7