



US00D916287S

(12) **United States Design Patent**
Marshall et al.

(10) **Patent No.:** **US D916,287 S**

(45) **Date of Patent:** **** Apr. 13, 2021**

(54) **DRILL ENGINE**

(71) Applicant: **VERSAH, LLC**, Jackson, MI (US)

(72) Inventors: **Todd Marshall**, Jackson, MI (US);
Zachary White, Jackson, MI (US)

(73) Assignee: **Versah LLC**, Jackson, MI (US)

(**) Term: **15 Years**

(21) Appl. No.: **29/677,064**

(22) Filed: **Jan. 16, 2019**

(51) **LOC (13) Cl.** **24-02**

(52) **U.S. Cl.**
USPC **D24/146**

(58) **Field of Classification Search**

USPC D24/112, 113, 130, 133, 134, 135, 138,
D24/144, 145, 146, 147, 148, 143, 170,
D24/127, 140, 164, 165, 167, 107;
D14/420; D13/101, 110, 112, 113, 114,
D13/115, 116, 118, 122
CPC ... A61B 17/06; A61B 17/089; A61B 17/1617;
A61B 17/3211; A61B 17/3417; A61B
17/1624; A61B 17/162; A61B 17/1622;
A61B 5/1411; A61B 2017/00424; A61B
17/32; A61B 17/320016; A61B 17/32053;
A61B 17/3494; A61B 2017/320004;
A61B 18/1206; A61B 18/1402; A61B
18/1815; A61B 18/042; A61B 5/02411;
C12N 5/0695; F02B 63/04; F02D 19/066;
F24H 9/02; H01R 13/64; H02K 21/042;
H02K 7/006

See application file for complete search history.

(56) **References Cited**

U.S. PATENT DOCUMENTS

D359,353 S * 6/1995 Butter D24/144
D400,249 S * 10/1998 Holubar D24/107
D446,306 S * 8/2001 Ochi D24/165
D459,813 S * 7/2002 Ramsey, III D14/336

D533,666 S * 12/2006 Kobayashi D24/165
D552,241 S * 10/2007 Bromley D24/170
D598,551 S * 8/2009 Miwa D24/186
D611,160 S * 3/2010 Fernie D24/209

(Continued)

FOREIGN PATENT DOCUMENTS

CN 301916025S S 5/2012
TW D148361 S1 7/2012

OTHER PUBLICATIONS

30W Complete Surgical Drill, [site visited Oct. 15, 2020], Available from Internet. URL: https://www.surgicalinstrumentsandsupplies.com/store1/Osada-Pedo-30W-Complete-Surgical-Drill-p_93292487 (Year: 2020).*

(Continued)

Primary Examiner — T Chase Nelson
Assistant Examiner — Kelly L Gross
(74) *Attorney, Agent, or Firm* — Endurance Law Group PLC

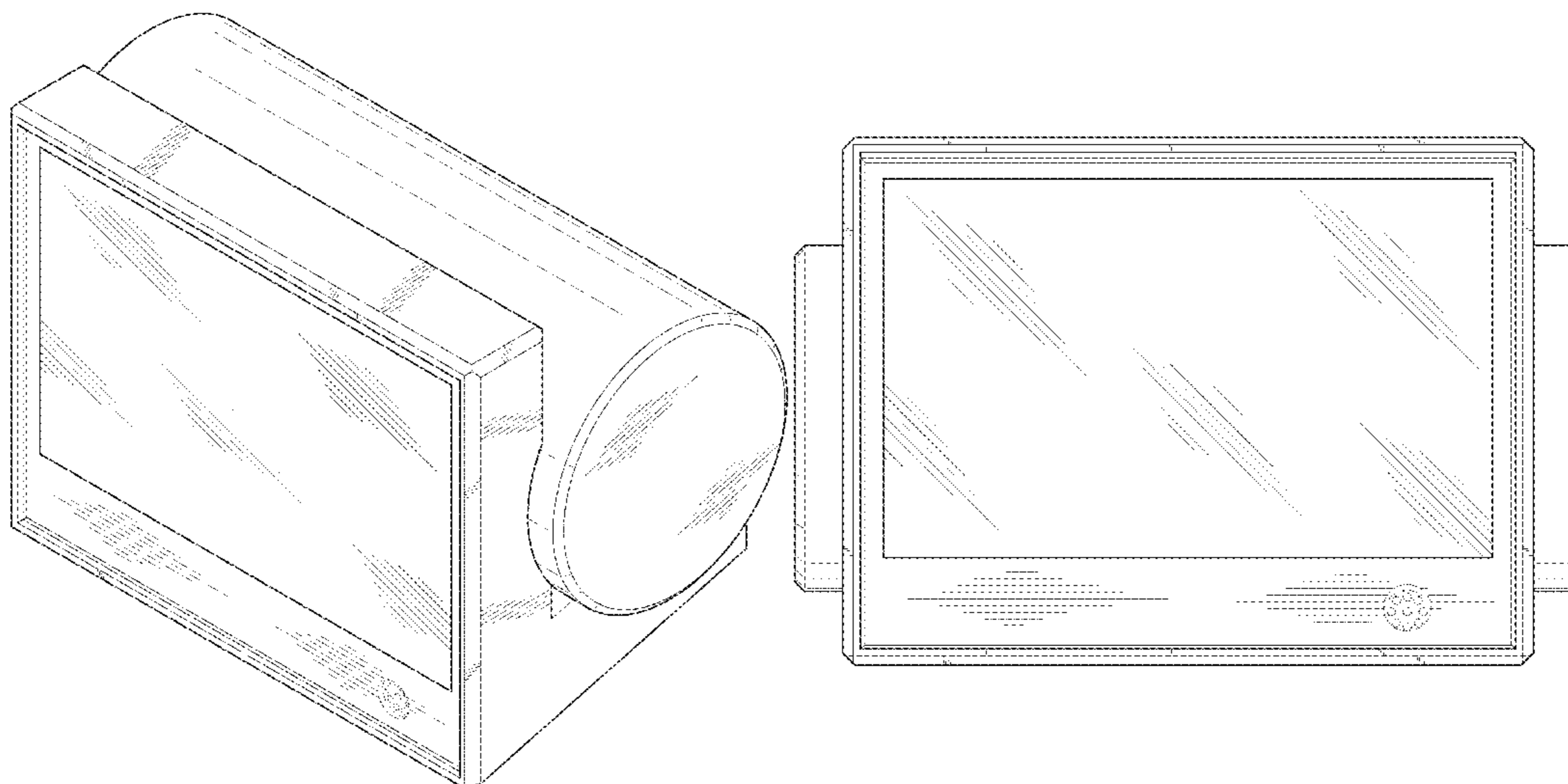
(57) **CLAIM**

We claim the ornamental design for a drill engine, as shown and described.

DESCRIPTION

FIG. 1 is perspective view of a drill engine of the type used to power a medical drilling device (not shown) according to the present invention;
FIG. 2 is a front view of the drill engine;
FIG. 3 is a left side view of the drill engine;
FIG. 4 is a right side view of the drill engine;
FIG. 5 is a rear view of the drill engine;
FIG. 6 is a top view of the drill engine; and,
FIG. 7 is a bottom view of the drill engine.
An exemplary power cord coupling is shown in broken lines in FIGS. 1 and 2, and forms no part of the patented design.

1 Claim, 7 Drawing Sheets



(56)

References Cited

U.S. PATENT DOCUMENTS

D612,503 S * 3/2010 Johnston D24/186
 D615,199 S * 5/2010 Zimmerli D24/137
 D618,351 S * 6/2010 Hara D24/165
 D651,319 S * 12/2011 Hara D24/165
 D654,592 S * 2/2012 Kawasaki D24/165
 D655,293 S * 3/2012 Gioscia D14/434
 D665,501 S * 8/2012 Shibata D24/165
 D671,886 S * 12/2012 Schacht D13/102
 D678,196 S * 3/2013 Miyachi D13/123
 D680,653 S * 4/2013 Fullerton D24/167
 D687,146 S * 7/2013 Juzkiw D24/170
 D693,314 S * 11/2013 McKeage D13/162
 D694,899 S * 12/2013 Cook D24/216
 D695,407 S * 12/2013 Price A61B 18/1206
 D24/170
 D699,356 S * 2/2014 Patil D24/164
 D703,311 S * 4/2014 Daly D24/110
 D703,735 S * 4/2014 Best D18/50
 D704,839 S * 5/2014 Juzkiw D24/170
 D708,184 S * 7/2014 Romanoff D14/422
 D712,352 S * 9/2014 George D13/112
 D717,439 S * 11/2014 Noguchi D24/165
 D717,459 S * 11/2014 Lin D24/216
 D722,165 S * 2/2015 Pukall D24/165
 D722,627 S * 2/2015 Leugers
 D728,121 S * 4/2015 Cook D24/216
 D729,732 S * 5/2015 Kasaba D13/112
 D734,859 S * 7/2015 Weichert D24/186
 D735,319 S * 7/2015 Sabin D24/111
 D736,933 S * 8/2015 Qiu D24/170
 D737,449 S * 8/2015 Zheng D24/170
 D739,031 S * 9/2015 Golden D24/186
 D739,037 S * 9/2015 Lin D24/216
 D739,365 S * 9/2015 Garcia D14/126
 D743,035 S * 11/2015 Uozumi D24/165
 D743,561 S * 11/2015 Maisch D24/186
 D753,311 S * 4/2016 Long D24/186
 D757,955 S * 5/2016 Johnson D24/209
 D759,230 S * 6/2016 Gordon D24/110
 D759,820 S * 6/2016 Blomquist D24/164
 D762,860 S * 8/2016 He D24/186
 D762,863 S * 8/2016 Kim D24/186
 D765,832 S * 9/2016 Hochman D24/111
 D767,756 S * 9/2016 Sabin D24/111
 D768,862 S * 10/2016 Werner D24/176
 D774,485 S * 12/2016 Kano D14/126
 D776,819 S * 1/2017 Vybornov D24/160
 D787,346 S * 5/2017 Rhein D10/70
 D789,362 S * 6/2017 Eljas D14/366

D801,926 S * 11/2017 Sakai D13/112
 D802,134 S * 11/2017 Geißler D24/144
 D802,768 S * 11/2017 Rider D24/165
 D809,143 S * 1/2018 Long D24/164
 D817,313 S * 5/2018 Horito D14/240
 D817,479 S * 5/2018 Sabin D24/111
 D817,480 S * 5/2018 Sabin D24/111
 D822,214 S * 7/2018 Iles D24/186
 D834,015 S * 11/2018 Case D14/371
 D835,281 S * 12/2018 Clifford D24/185
 D835,291 S * 12/2018 Lei D24/209
 D836,202 S * 12/2018 Andrews D24/167
 D845,503 S * 4/2019 Jensen D24/216
 D851,778 S * 6/2019 Stamm D24/216
 D854,160 S * 7/2019 Long D24/164
 D856,410 S * 8/2019 Lee D18/4.4
 D860,941 S * 9/2019 Wheeler D13/112
 D861,778 S * 10/2019 Day D18/4.4
 D871,500 S * 12/2019 Balar D18/4.5
 D873,823 S * 1/2020 Kurita D14/371
 D883,469 S * 5/2020 Inkrote D24/108
 D884,190 S * 5/2020 Canady D24/170
 D887,962 S * 6/2020 Ellman D13/101
 D889,668 S * 7/2020 Chiu D24/185
 D900,323 S * 10/2020 Wang D24/170
 D901,695 S * 11/2020 Zhou D24/186
 D902,490 S * 11/2020 Du D28/58
 D903,132 S * 11/2020 Shavit D24/200
 D903,133 S * 11/2020 Shavit D24/200
 D903,873 S * 12/2020 Alvarez D24/177
 D903,874 S * 12/2020 Alvarez D24/177
 D904,622 S * 12/2020 Kuester D24/186
 D905,058 S * 12/2020 Chen D14/385
 D905,654 S * 12/2020 Tani D14/141.3
 D906,256 S * 12/2020 Oishi D13/152
 D906,966 S * 1/2021 Koike D13/118
 D907,211 S * 1/2021 Spurling D24/169

OTHER PUBLICATIONS

CanalPro Jeni, [site visited Oct. 15, 2020], Available from Internet. URL: <https://nam.coltene.com/products/endodontics/endo-engines/canalpro-motors//canalpro-tm-jeni/> (Year: 2020).*

Bien Air Dental Implant Motor, [site visited Oct. 15, 2020], Available from Internet. URL: <https://www.dentala.co/products/bien-air-ichiro-pro-dental-implant-motor> (Year: 2020).*

Electromatic System [site visited Oct. 15, 2020], Available from Internet. URL: <https://www.kavo.com/dental-instruments/electromatic-system-couplers-motors-electric-motor-controller> (Year: 2020).*

* cited by examiner

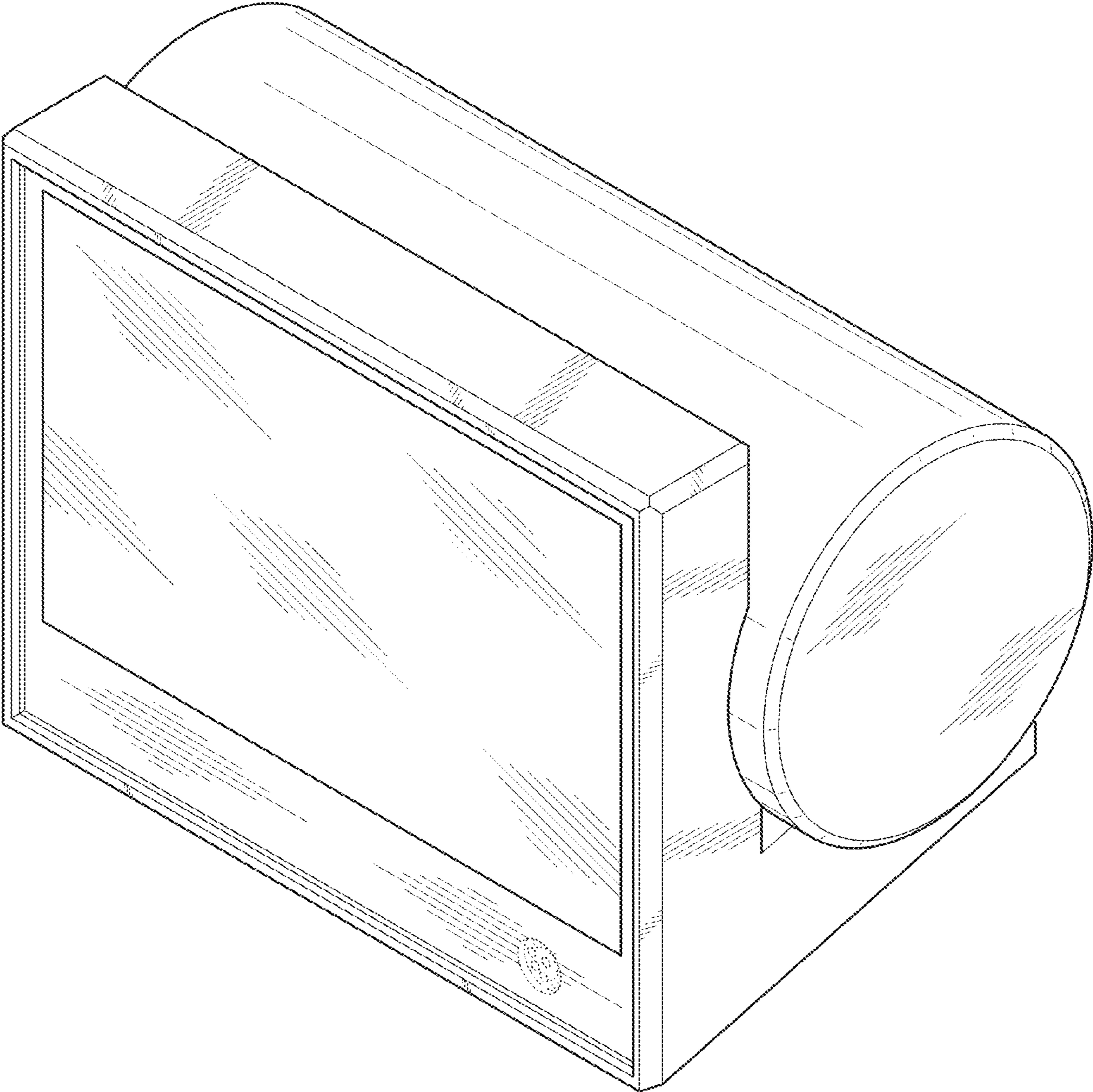


FIG. 1

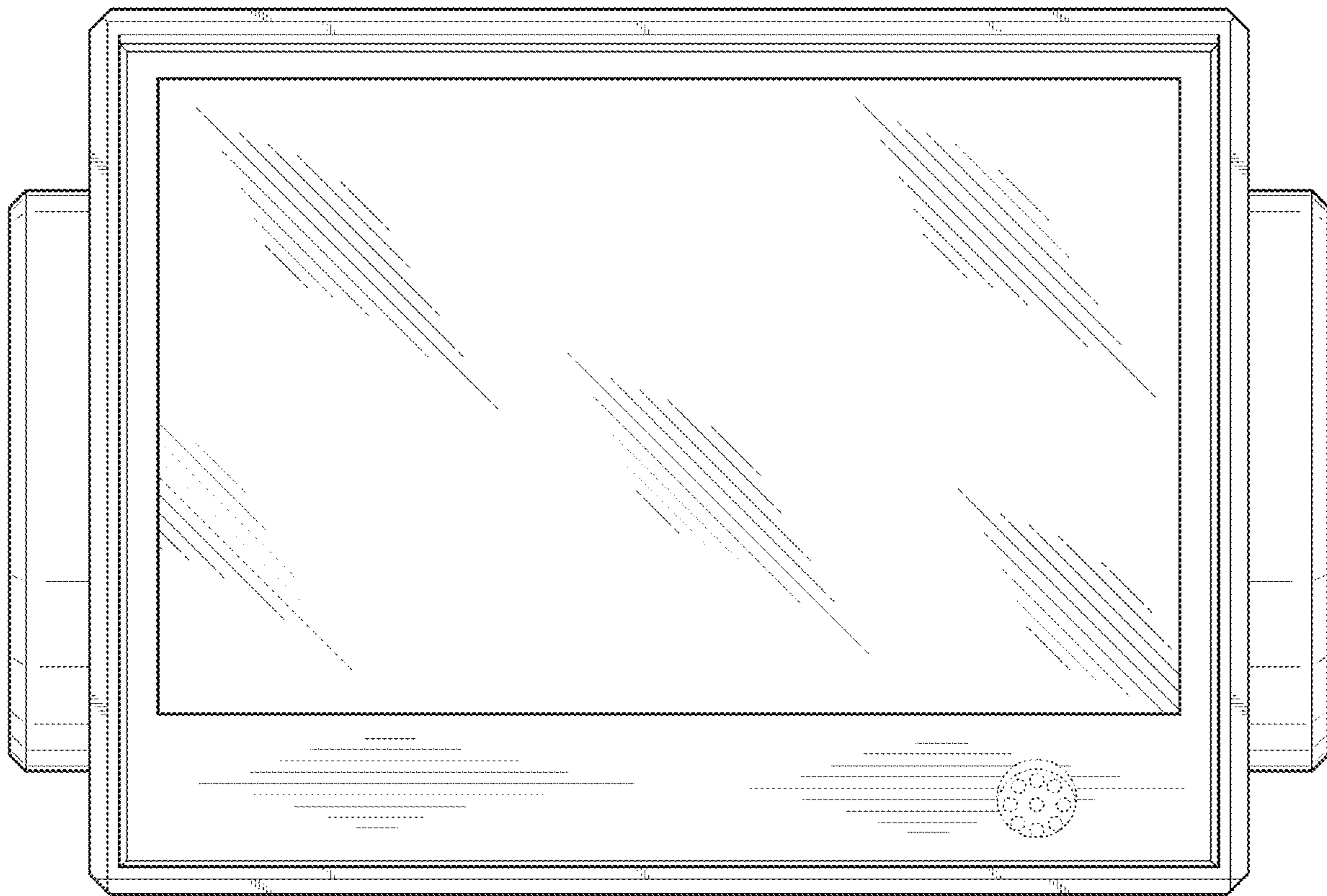


FIG. 2

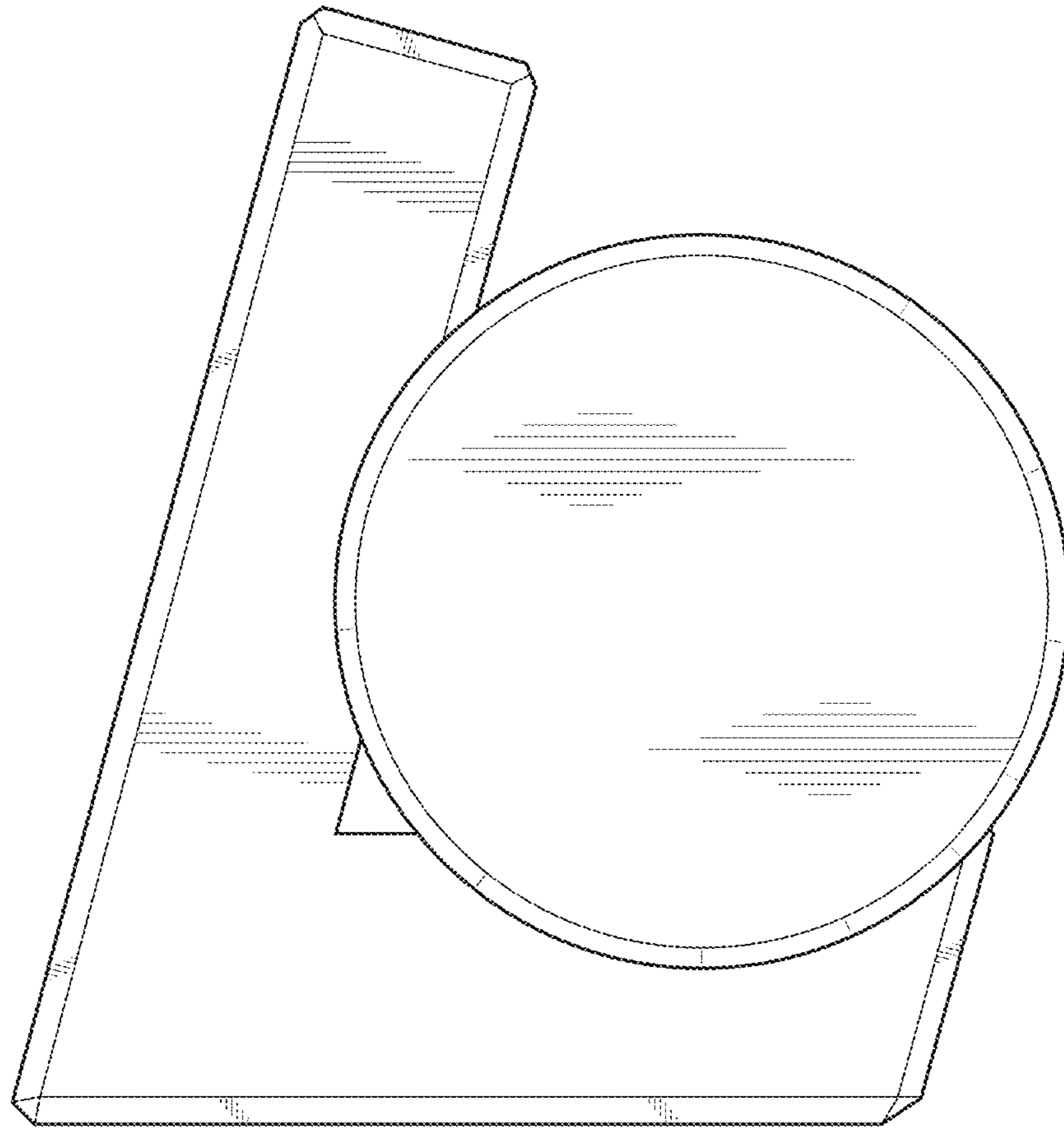


FIG. 3

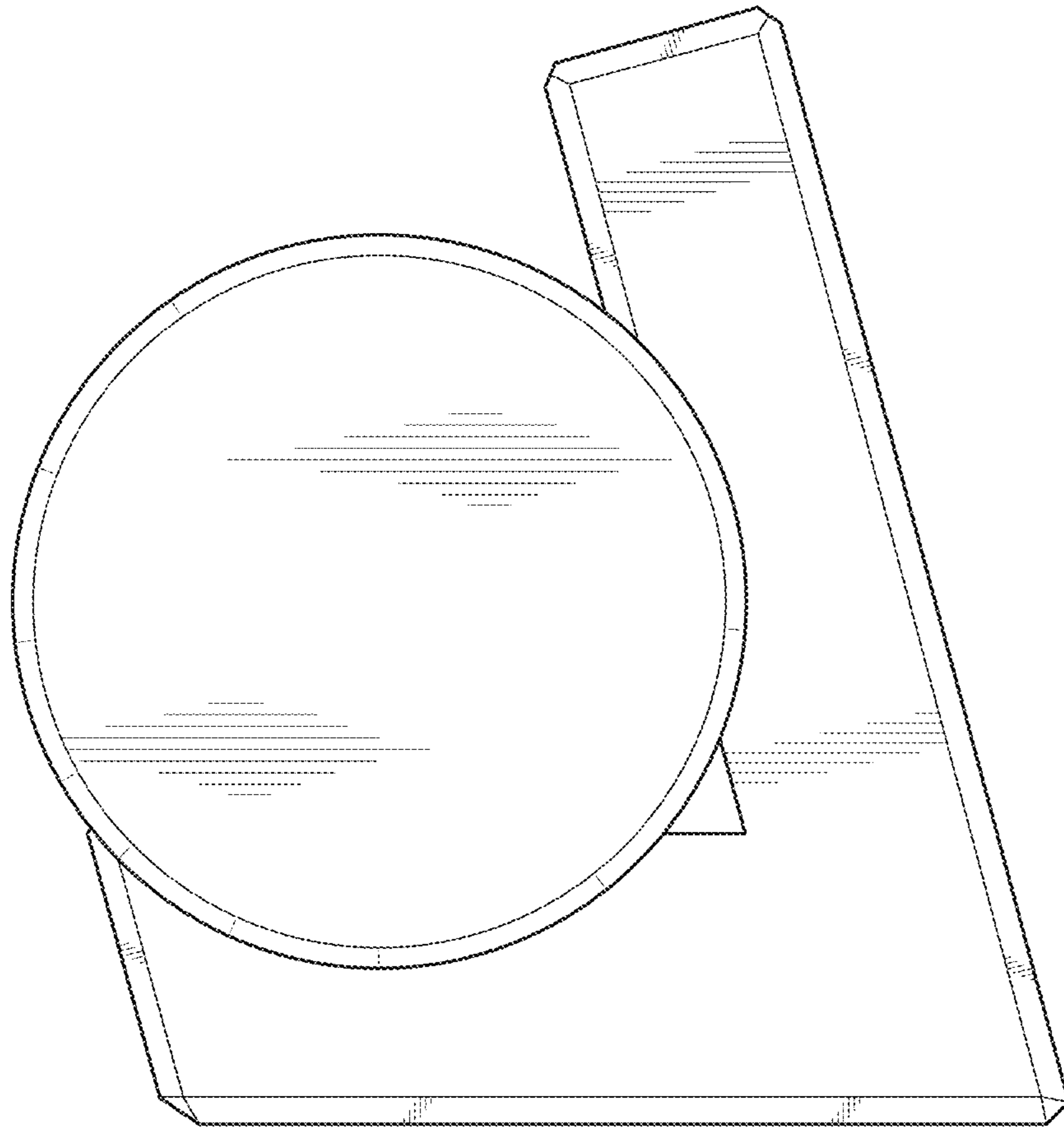


FIG. 4

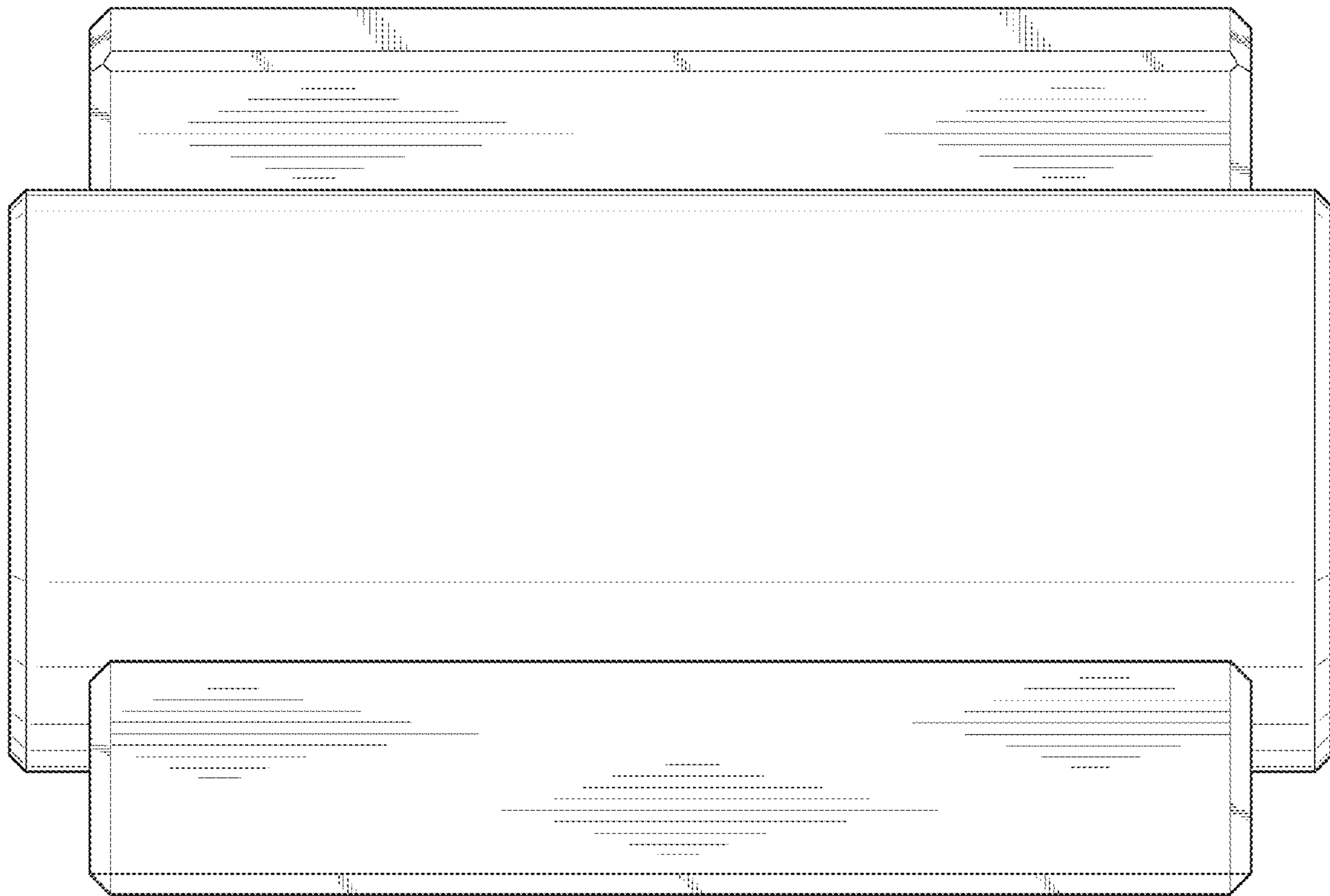


FIG. 5

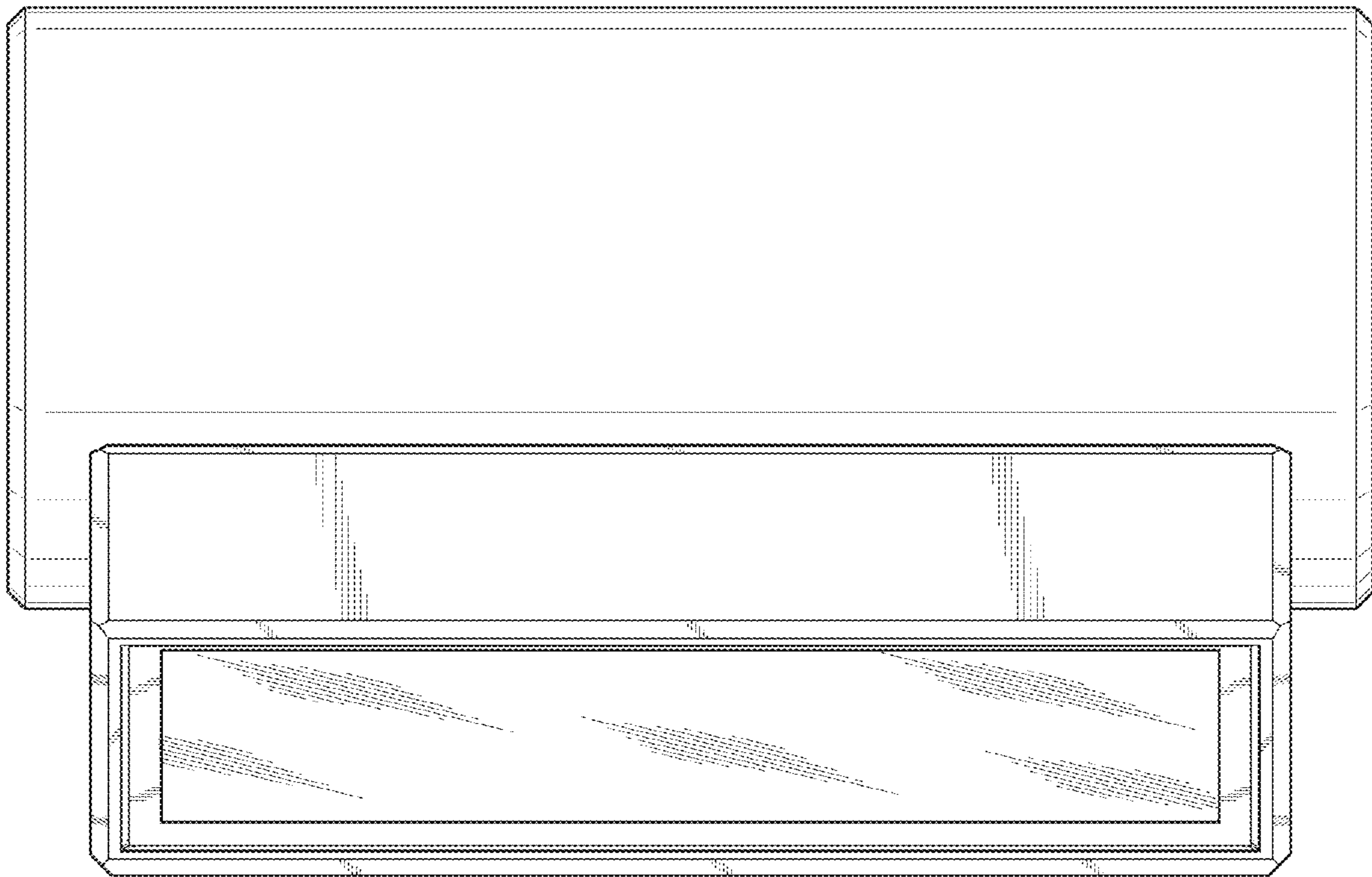


FIG. 6



FIG. 7