



US00D916286S

(12) **United States Design Patent**  
**Gagel et al.**

(10) **Patent No.:** **US D916,286 S**  
(45) **Date of Patent:** **\*\* Apr. 13, 2021**

(54) **SURGICAL STAPLER WASHER**

*Primary Examiner* — Wan Laymon

(71) Applicant: **ETHICON LLC**, Guaynabo, PR (US)

(57) **CLAIM**

The ornamental design for a surgical stapler washer, as shown and described.

(72) Inventors: **Jeffrey C. Gagel**, Loveland, OH (US);  
**Scott A. Jenkins**, Mason, OH (US);  
**Nicole Smith**, Bridgewater, NJ (US);  
**Barry T. Jamison**, Fairfield, OH (US);  
**John P. Measamer**, Cincinnati, OH (US);  
**Michael A. Jacobs**, Cincinnati, OH (US)

**DESCRIPTION**

(73) Assignee: **Ethicon LLC**, Guaynabo, PR (US)

FIG. 1 is a perspective view of a first embodiment of a surgical stapler washer embodying our new design;  
FIG. 2 is a first side view of the surgical stapler washer of FIG. 1;  
FIG. 3 is a second side view of the surgical stapler washer of FIG. 1;  
FIG. 4 is a third side view of the surgical stapler washer of FIG. 1;  
FIG. 5 is a fourth side view of the surgical stapler washer of FIG. 1;  
FIG. 6 is a top view of the surgical stapler washer of FIG. 1;  
FIG. 7 is a bottom view of the surgical stapler washer of FIG. 1;  
FIG. 8 is a perspective view of a second embodiment of a surgical stapler washer embodying our new design;  
FIG. 9 is a first side view of the surgical stapler washer of FIG. 8;  
FIG. 10 is a second side view of the surgical stapler washer of FIG. 8;  
FIG. 11 is a third side view of the surgical stapler washer of FIG. 8;  
FIG. 12 is a fourth side view of the surgical stapler washer of FIG. 8;  
FIG. 13 is a top view of the surgical stapler washer of FIG. 8; and,  
FIG. 14 is a bottom view of the surgical stapler washer of FIG. 8.

(\*\*) Term: **15 Years**

(21) Appl. No.: **29/682,824**

(22) Filed: **Mar. 8, 2019**

(51) **LOC (13) Cl.** ..... **24-02**

(52) **U.S. Cl.**  
USPC ..... **D24/145**

(58) **Field of Classification Search**  
USPC ..... D24/145, 147, 155; D15/138  
See application file for complete search history.

(56) **References Cited**

**U.S. PATENT DOCUMENTS**

4,917,114 A \* 4/1990 Green ..... A61B 17/115  
227/179.1  
D374,482 S \* 10/1996 Goble ..... D24/145  
(Continued)

**FOREIGN PATENT DOCUMENTS**

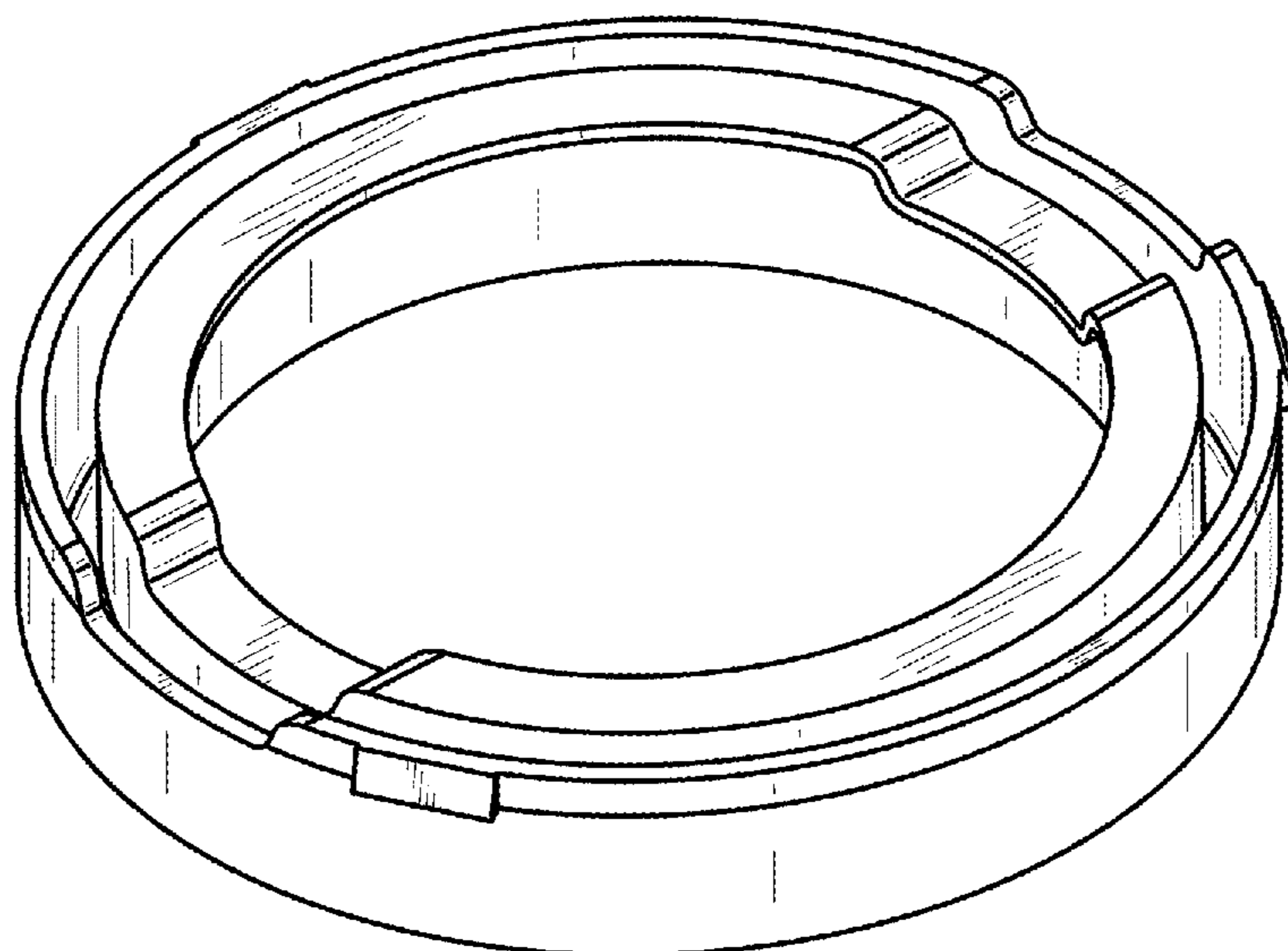
JP 1473643 S 7/2013

**OTHER PUBLICATIONS**

Japanese Search Report, dated Aug. 4, 2020, for Design Application 2019-019920 (1 page).

(Continued)

**1 Claim, 14 Drawing Sheets**



(56)

**References Cited**

U.S. PATENT DOCUMENTS

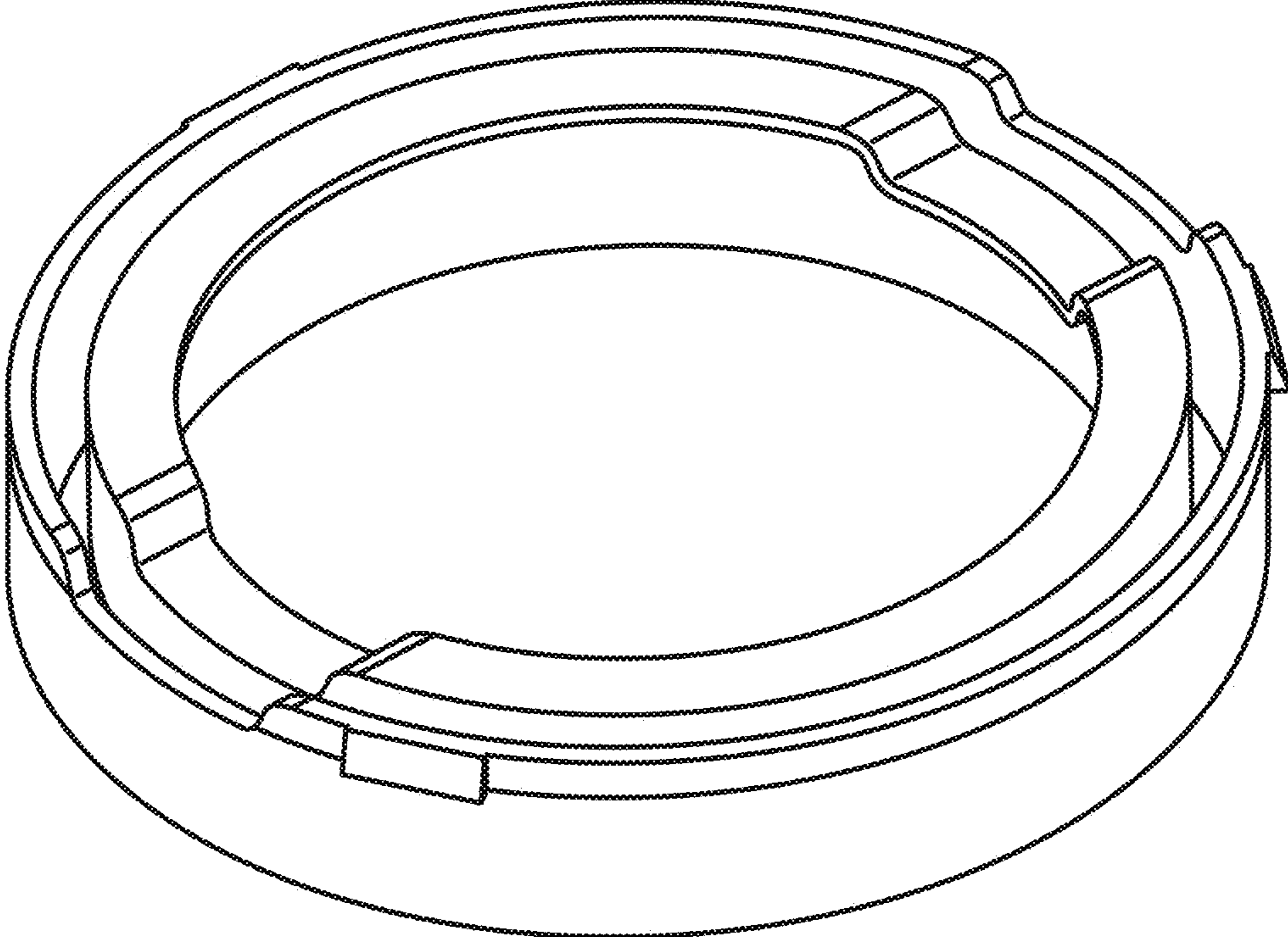
D404,128 S \* 1/1999 Huebner ..... D24/145  
 8,328,063 B2 \* 12/2012 Milliman ..... A61B 17/115  
 227/179.1  
 8,567,655 B2 \* 10/2013 Nalagatla ..... A61B 17/068  
 227/175.1  
 8,573,464 B2 \* 11/2013 Nalagatla ..... A61B 17/1155  
 227/175.1  
 8,733,615 B2 \* 5/2014 Nalagatla ..... A61B 17/115  
 227/179.1  
 8,746,532 B2 \* 6/2014 Nalagatla ..... A61B 17/068  
 227/176.1  
 9,592,056 B2 \* 3/2017 Mozdierz ..... A61B 17/1155  
 10,426,480 B2 \* 10/2019 Scirica ..... A61B 17/068  
 10,478,190 B2 \* 11/2019 Miller ..... A61B 17/068  
 2009/0192516 A1 \* 7/2009 Tallarida ..... A61B 17/0401  
 606/96  
 2012/0292366 A1 \* 11/2012 Nalagatla ..... A61B 17/068  
 227/175.1

2012/0292368 A1 \* 11/2012 Nalagatla ..... A61B 17/068  
 227/175.2  
 2013/0018428 A1 \* 1/2013 Harper ..... A61B 17/8695  
 606/305  
 2017/0281189 A1 \* 10/2017 Nalagatla ..... A61B 17/115  
 2018/0375562 A1 \* 12/2018 Nalagatla ..... A61B 17/068

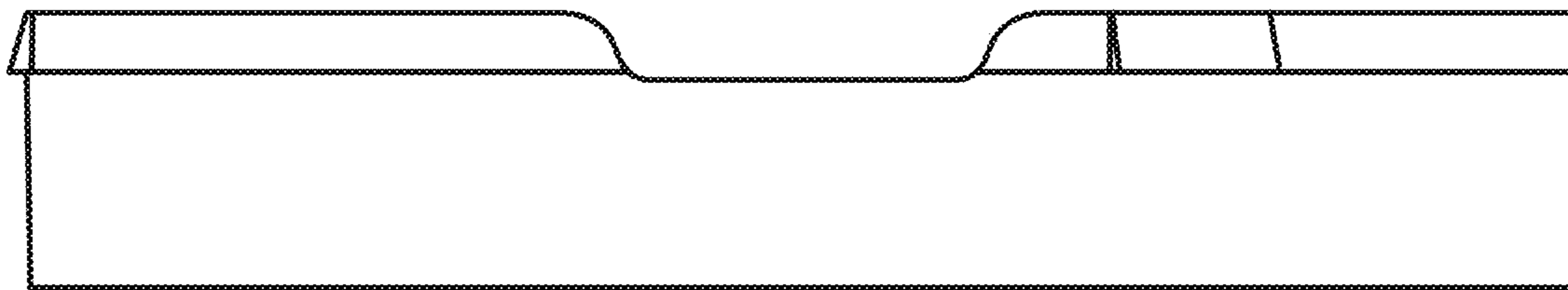
OTHER PUBLICATIONS

Japanese Search Report, dated Aug. 4, 2020, for Design Application 2019-019921 (1 page).  
 Japanese Search Report, dated Aug. 4, 2020, for Design Application 2019-019922 (1 page).  
 Japanese Search Report, dated Aug. 4, 2020, for Design Application 2019-019923 (1 page).  
 Kabushiki Kaisha Homemaking, published on the website, 308403, [database online] JPO Division of Design, Official Gazette Known Data No. HJ20049985),00), [retrieved Nov. 18, 2020 using the Internet: <[Product page URL.] [http://www.homemaking.jp/product\\_info.php?products\\_id=46110](http://www.homemaking.jp/product_info.php?products_id=46110)>].

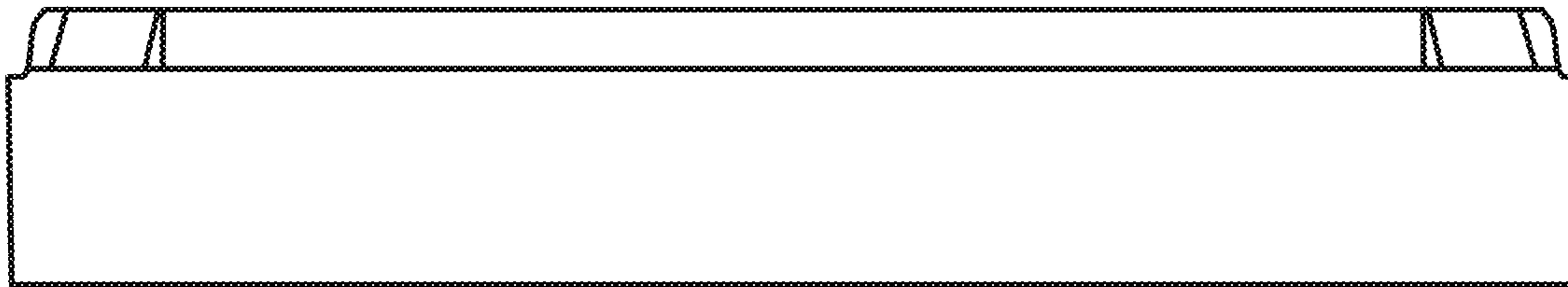
\* cited by examiner



**FIG. 1**



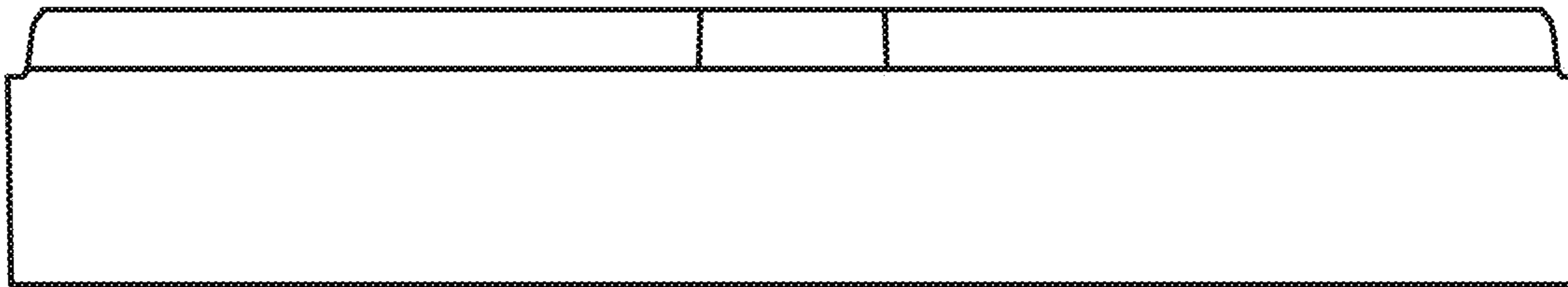
**FIG. 2**



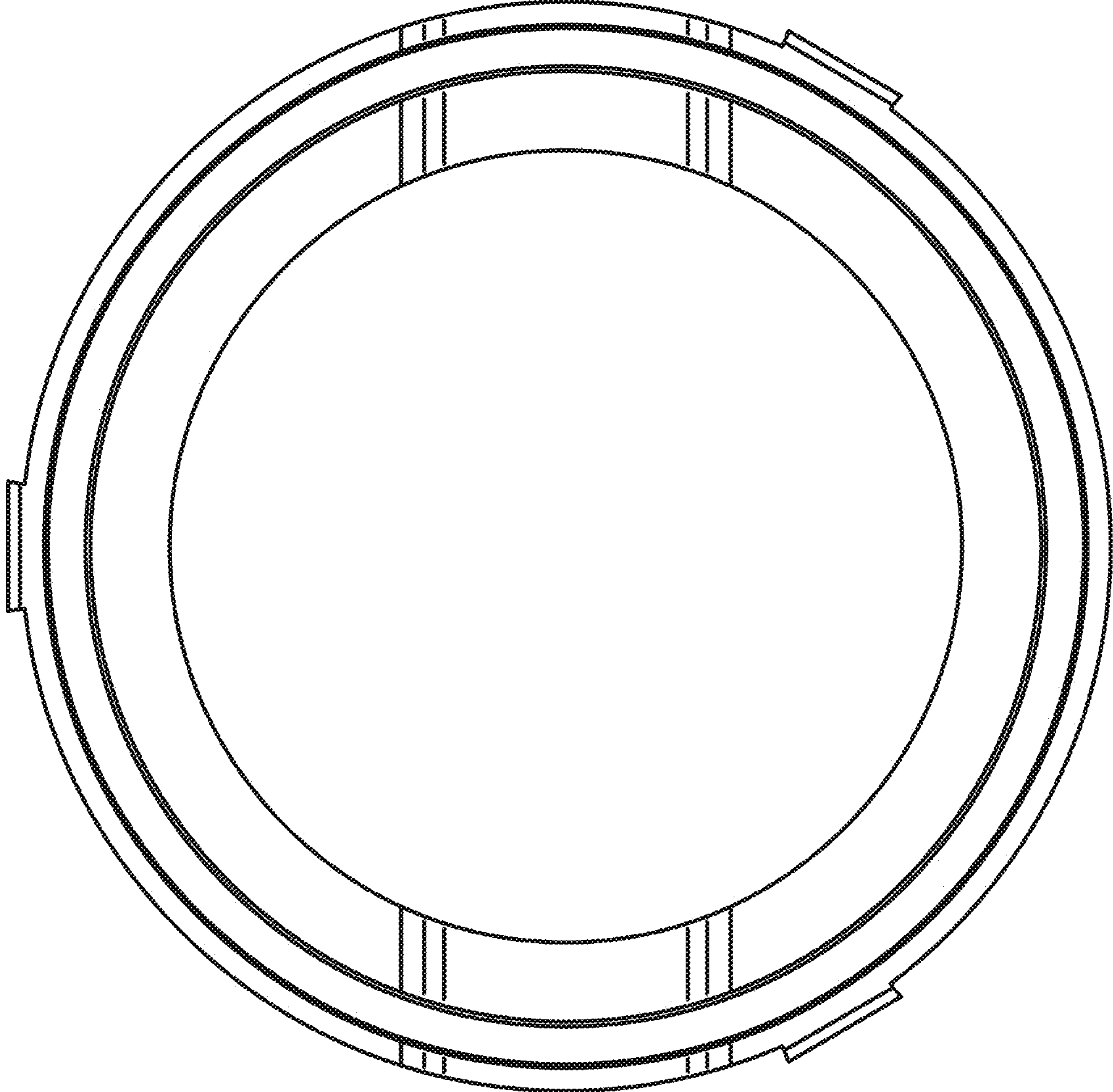
**FIG. 3**



**FIG. 4**

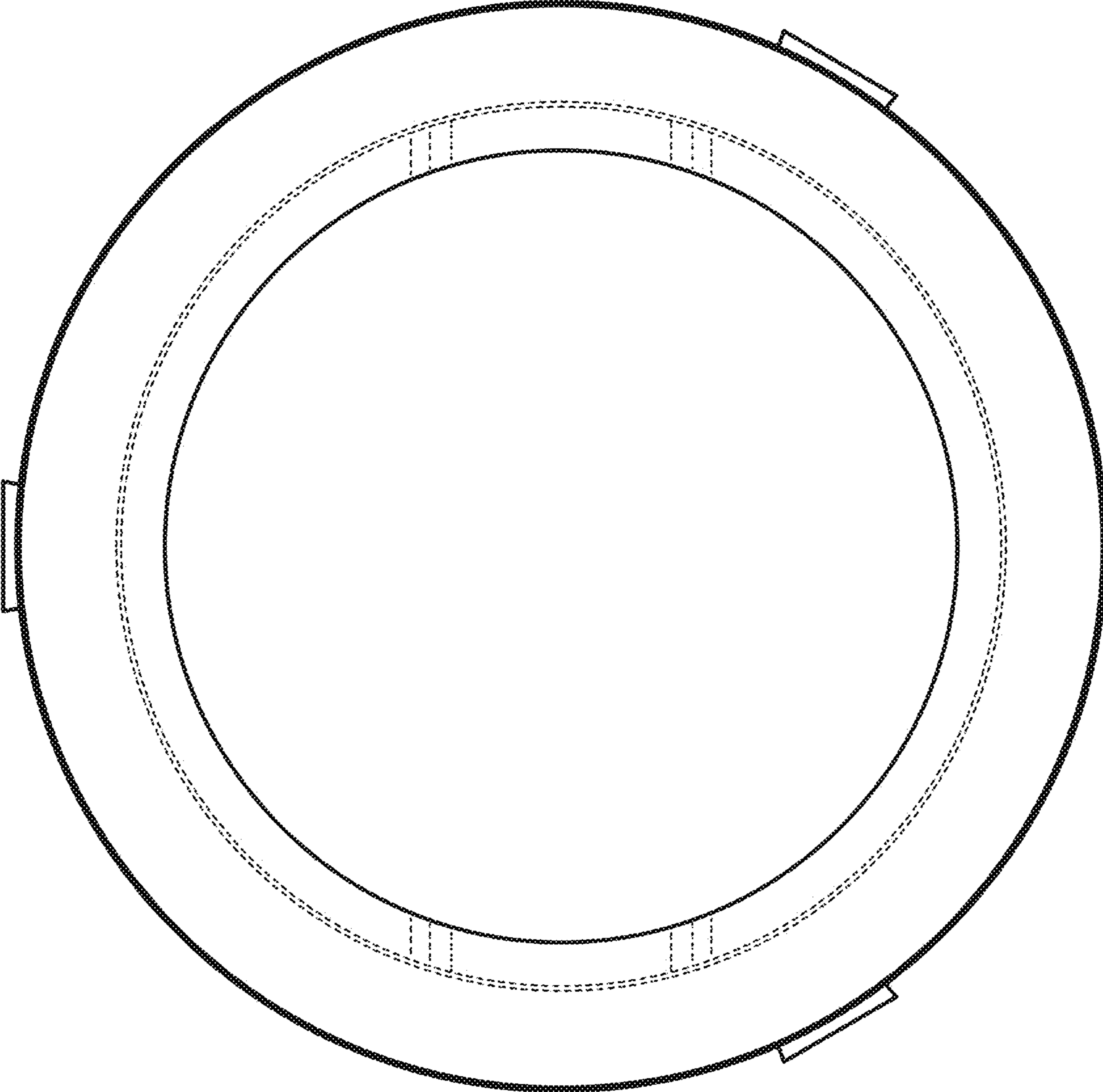


**FIG. 5**

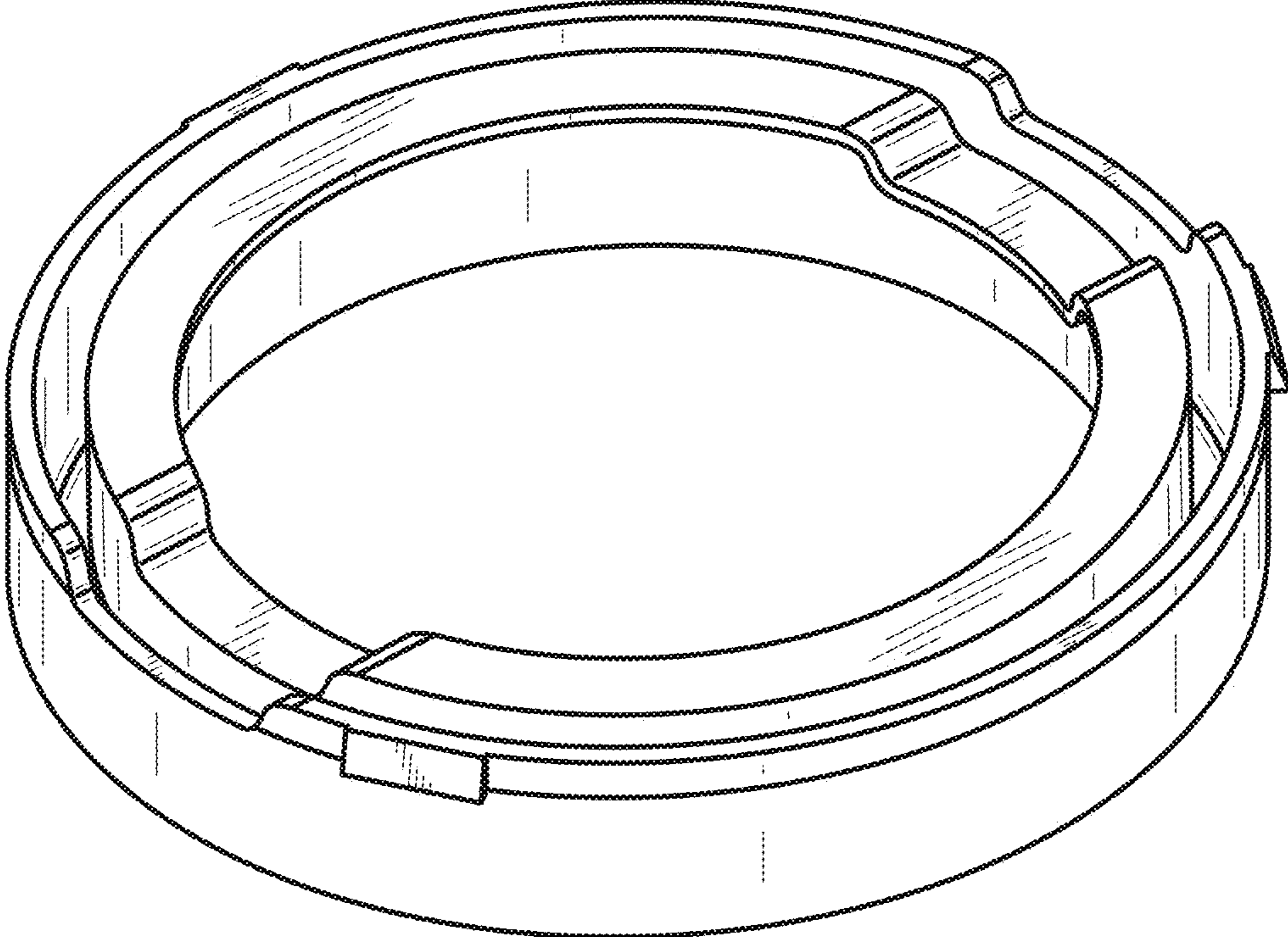


**FIG. 6**

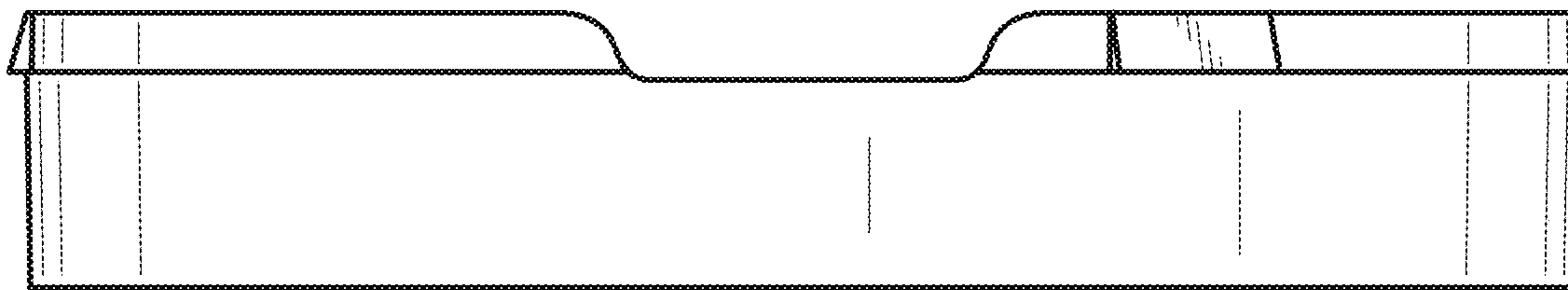




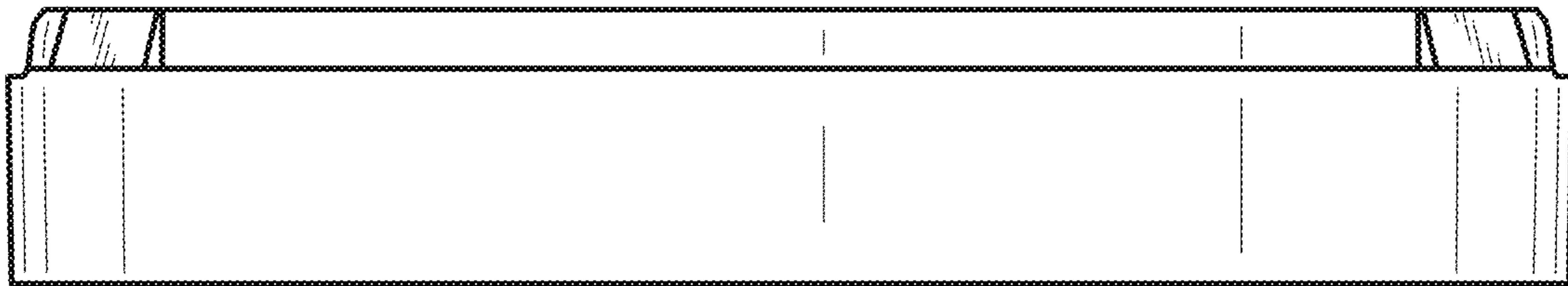
**FIG. 7**



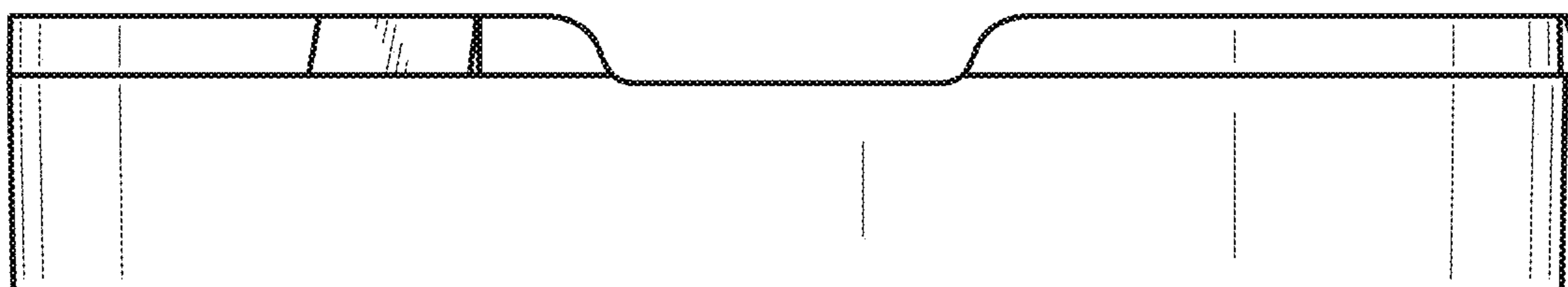
**FIG. 8**



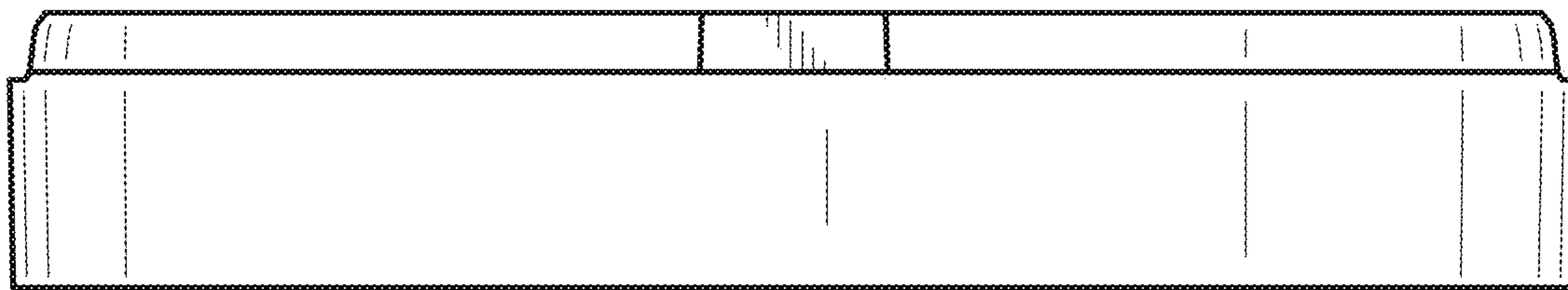
**FIG. 9**



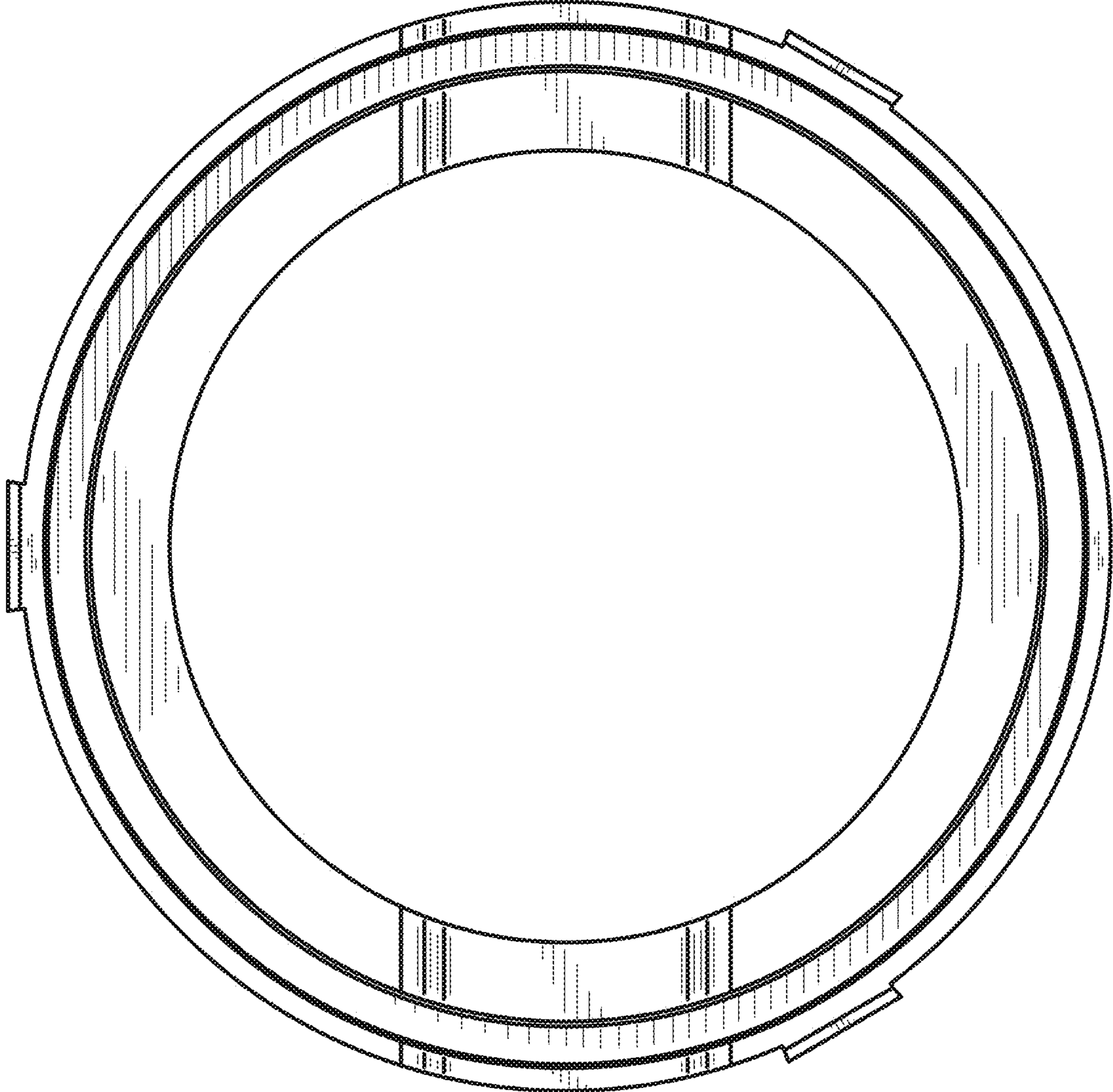
**FIG. 10**



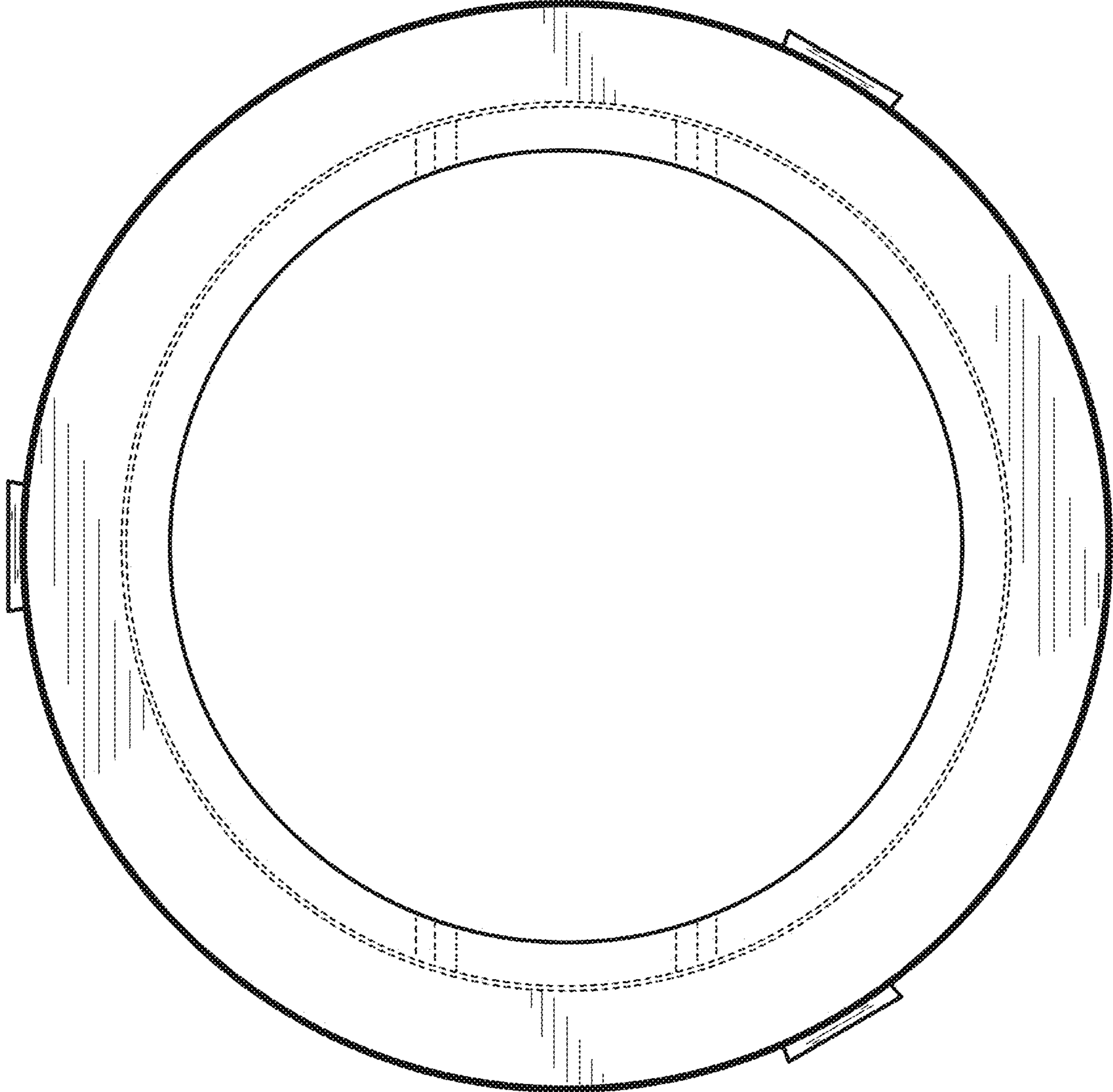
**FIG. 11**



**FIG. 12**



**FIG. 13**



**FIG. 14**