



US00D916285S

(12) **United States Design Patent**
Gagel et al.

(10) **Patent No.:** **US D916,285 S**
(45) **Date of Patent:** **** Apr. 13, 2021**

(54) **SURGICAL STAPLER WASHER**

Primary Examiner — Wan Laymon

(71) Applicant: **ETHICON LLC**, Guaynabo, PR (US)

(57) **CLAIM**

The ornamental design for a surgical stapler washer, as shown and described.

(72) Inventors: **Jeffrey C. Gagel**, Loveland, OH (US);
Scott A. Jenkins, Mason, OH (US);
Nicole Smith, Bridgewater, NJ (US);
Barry T. Jamison, Fairfield, OH (US);
John P. Measamer, Cincinnati, OH (US);
Michael A. Jacobs, Cincinnati, OH (US)

DESCRIPTION

(73) Assignee: **Ethicon LLC**, Guaynabo, PR (US)

FIG. 1 is a perspective view of a first embodiment of a surgical stapler washer embodying our new design;
FIG. 2 is a first side view of the surgical stapler washer of FIG. 1;
FIG. 3 is a second side view of the surgical stapler washer of FIG. 1;
FIG. 4 is a third side view of the surgical stapler washer of FIG. 1;
FIG. 5 is a fourth side view of the surgical stapler washer of FIG. 1;
FIG. 6 is a top view of the surgical stapler washer of FIG. 1;
FIG. 7 is a bottom view of the surgical stapler washer of FIG. 1;
FIG. 8 is a perspective view of a second embodiment of a surgical stapler washer embodying our new design;
FIG. 9 is a first side view of the surgical stapler washer of FIG. 8;
FIG. 10 is a second side view of the surgical stapler washer of FIG. 8;
FIG. 11 is a third side view of the surgical stapler washer of FIG. 8;
FIG. 12 is a fourth side view of the surgical stapler washer of FIG. 8;
FIG. 13 is a top view of the surgical stapler washer of FIG. 8; and,
FIG. 14 is a bottom view of the surgical stapler washer of FIG. 8.

(**) Term: **15 Years**

(21) Appl. No.: **29/682,823**

(22) Filed: **Mar. 8, 2019**

(51) **LOC (13) Cl.** **24-02**

(52) **U.S. Cl.**
USPC **D24/145**

(58) **Field of Classification Search**
USPC D24/145, 147, 155; D15/138
See application file for complete search history.

(56) **References Cited**

U.S. PATENT DOCUMENTS

4,917,114 A * 4/1990 Green A61B 17/115
227/179.1
D374,482 S * 10/1996 Goble D24/145
(Continued)

FOREIGN PATENT DOCUMENTS

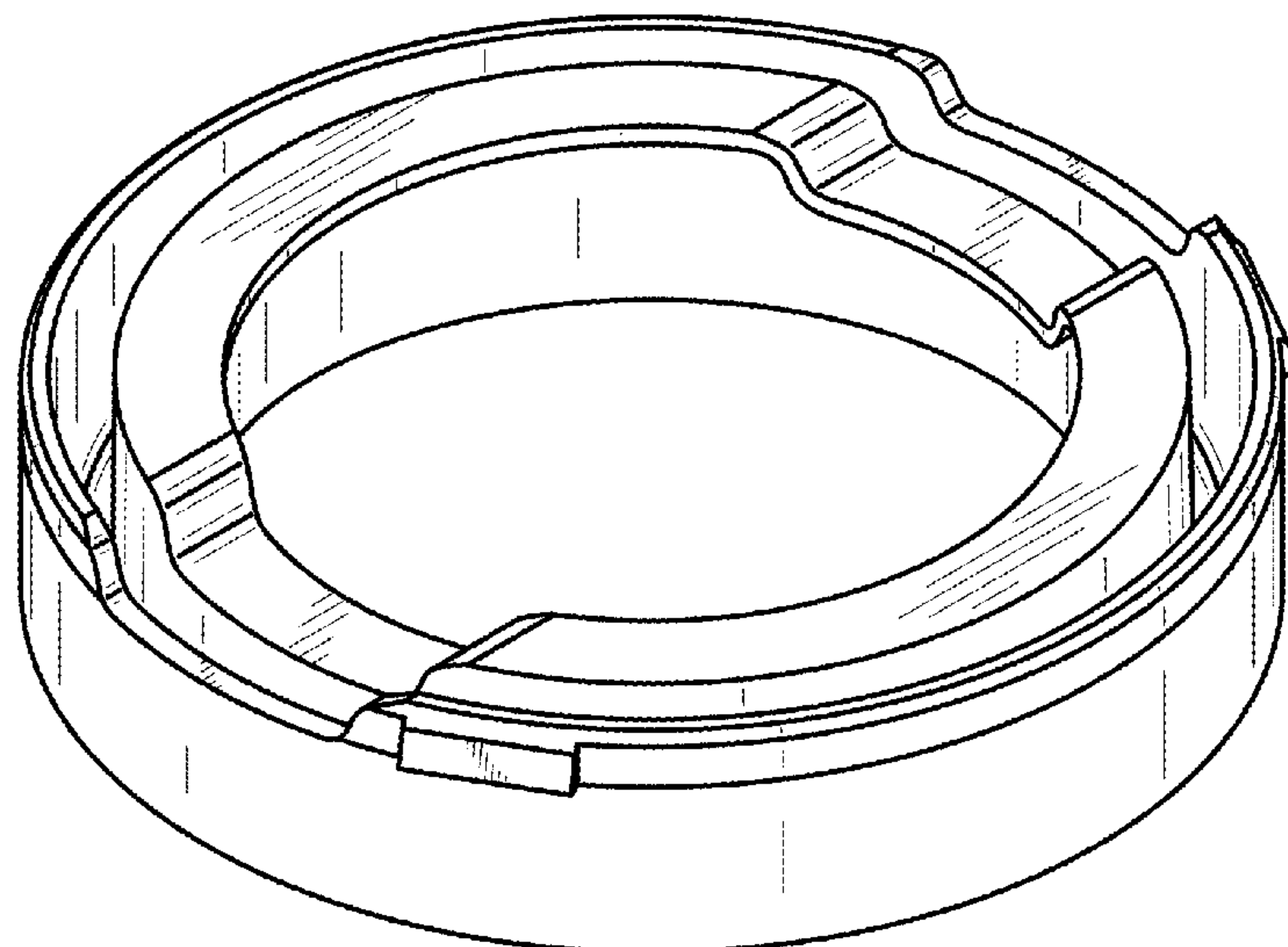
JP 1473643 S 7/2013

OTHER PUBLICATIONS

Japanese Search Report, dated Aug. 4, 2020, for Design Application 2019-019920 (1 page).

(Continued)

1 Claim, 14 Drawing Sheets



(56)

References Cited

U.S. PATENT DOCUMENTS

D404,128 S * 1/1999 Huebner D24/145
 8,328,063 B2 * 12/2012 Milliman A61B 17/115
 227/179.1
 8,567,655 B2 * 10/2013 Nalagatla A61B 17/068
 227/175.1
 8,573,464 B2 * 11/2013 Nalagatla A61B 17/1155
 227/175.1
 8,733,615 B2 * 5/2014 Nalagatla A61B 17/115
 227/179.1
 8,746,532 B2 * 6/2014 Nalagatla A61B 17/068
 227/176.1
 9,592,056 B2 * 3/2017 Mozdierz A61B 17/1155
 10,426,480 B2 * 10/2019 Scirica A61B 17/068
 10,478,190 B2 * 11/2019 Miller A61B 17/068
 2009/0192516 A1 * 7/2009 Tallarida A61B 17/0401
 606/96
 2012/0292366 A1 * 11/2012 Nalagatla A61B 17/068
 227/175.1

2012/0292368 A1 * 11/2012 Nalagatla A61B 17/068
 227/175.2
 2013/0018428 A1 * 1/2013 Harper A61B 17/8695
 606/305
 2017/0281189 A1 * 10/2017 Nalagatla A61B 17/115
 2018/0375562 A1 * 12/2018 Nalagatla A61B 17/068

OTHER PUBLICATIONS

Japanese Search Report, dated Aug. 4, 2020, for Design Application 2019-019921 (1 page).
 Japanese Search Report, dated Aug. 4, 2020, for Design Application 2019-019922 (1 page).
 Japanese Search Report, dated Aug. 4, 2020, for Design Application 2019-019923 (1 page).
 Kabushiki Kaisha Homemaking, published on the website, 308403, [database online] JPO Division of Design, Official Gazette Known Data No. HJ20049985),00), [retrieved Nov. 18, 2020 using the Internet: <[Product page URL.] http://www.homemaking.jp/product_info.php?products_id=46110>].

* cited by examiner

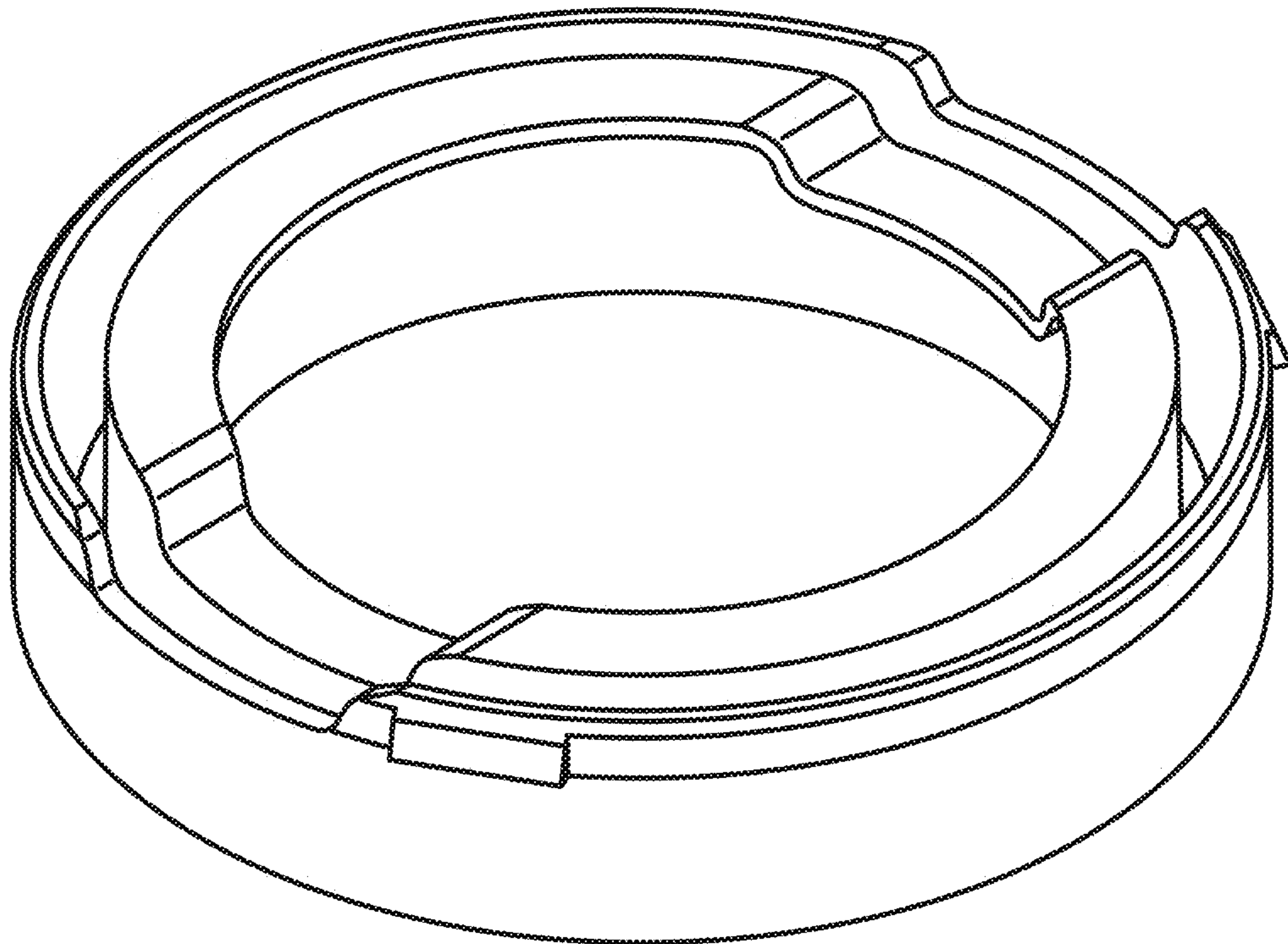


FIG. 1



FIG. 2



FIG. 3

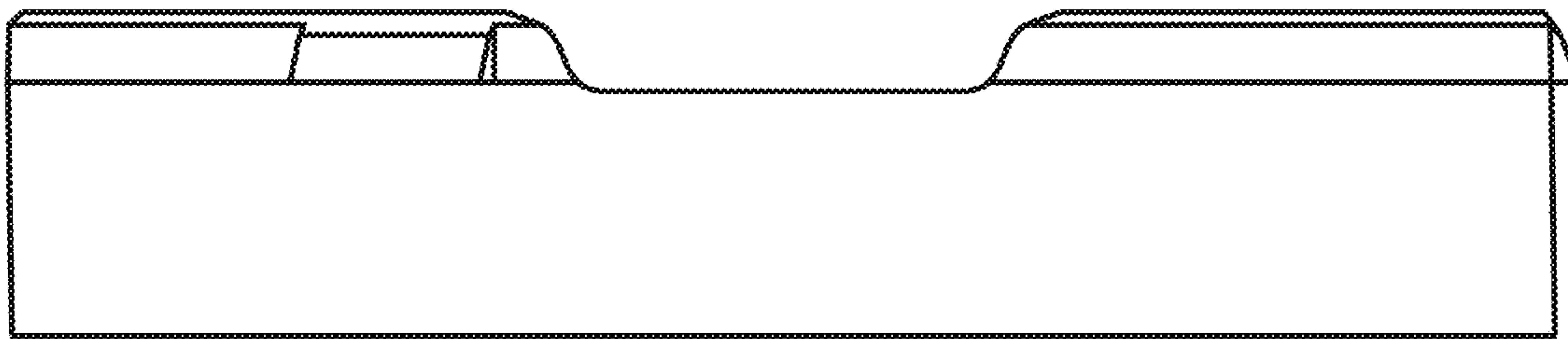


FIG. 4

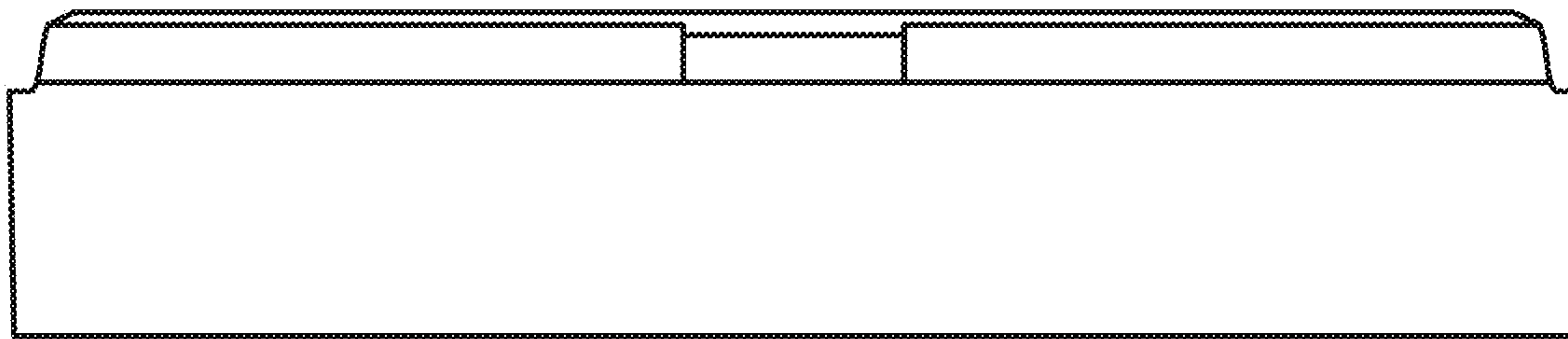


FIG. 5

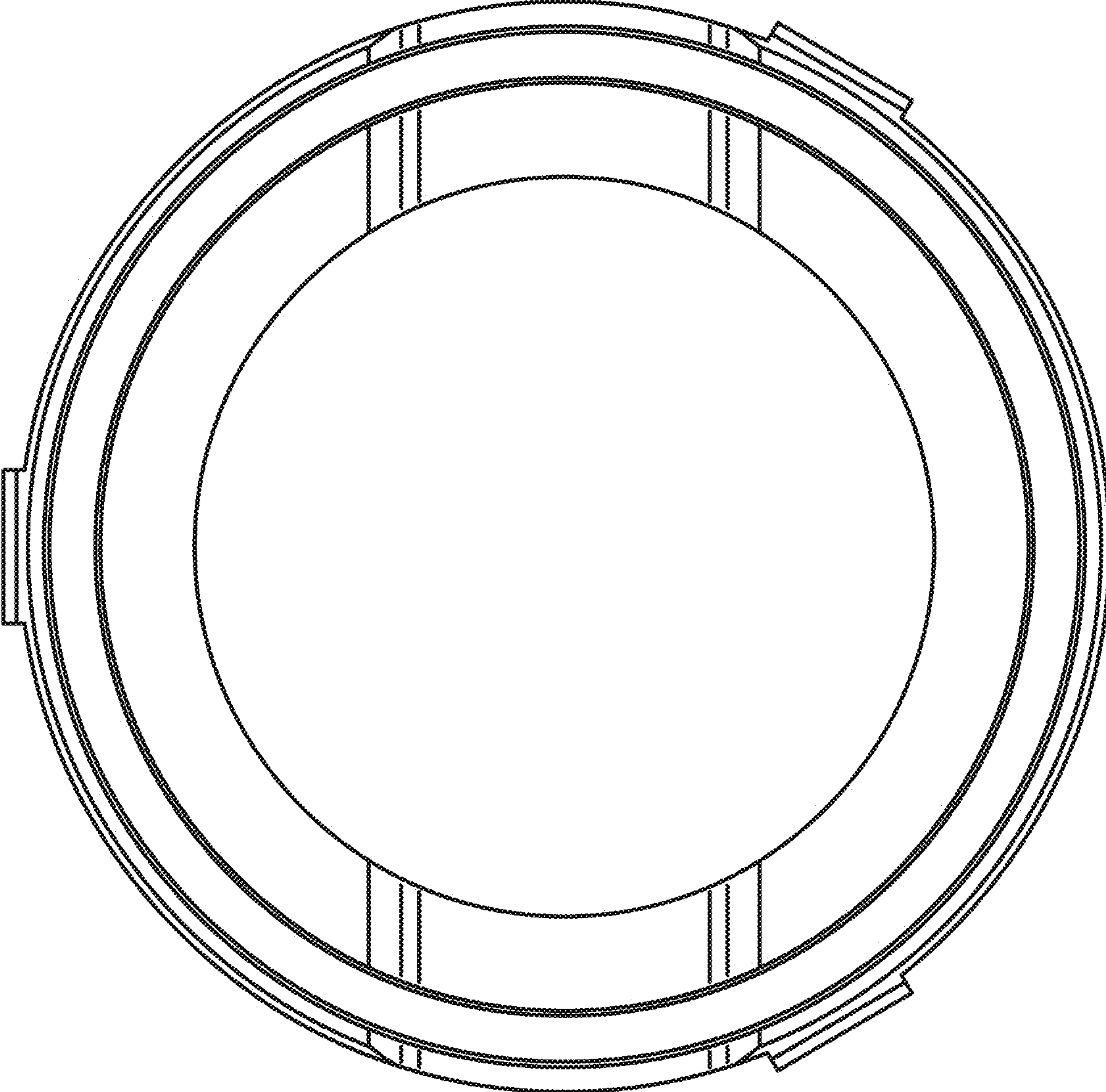


FIG. 6

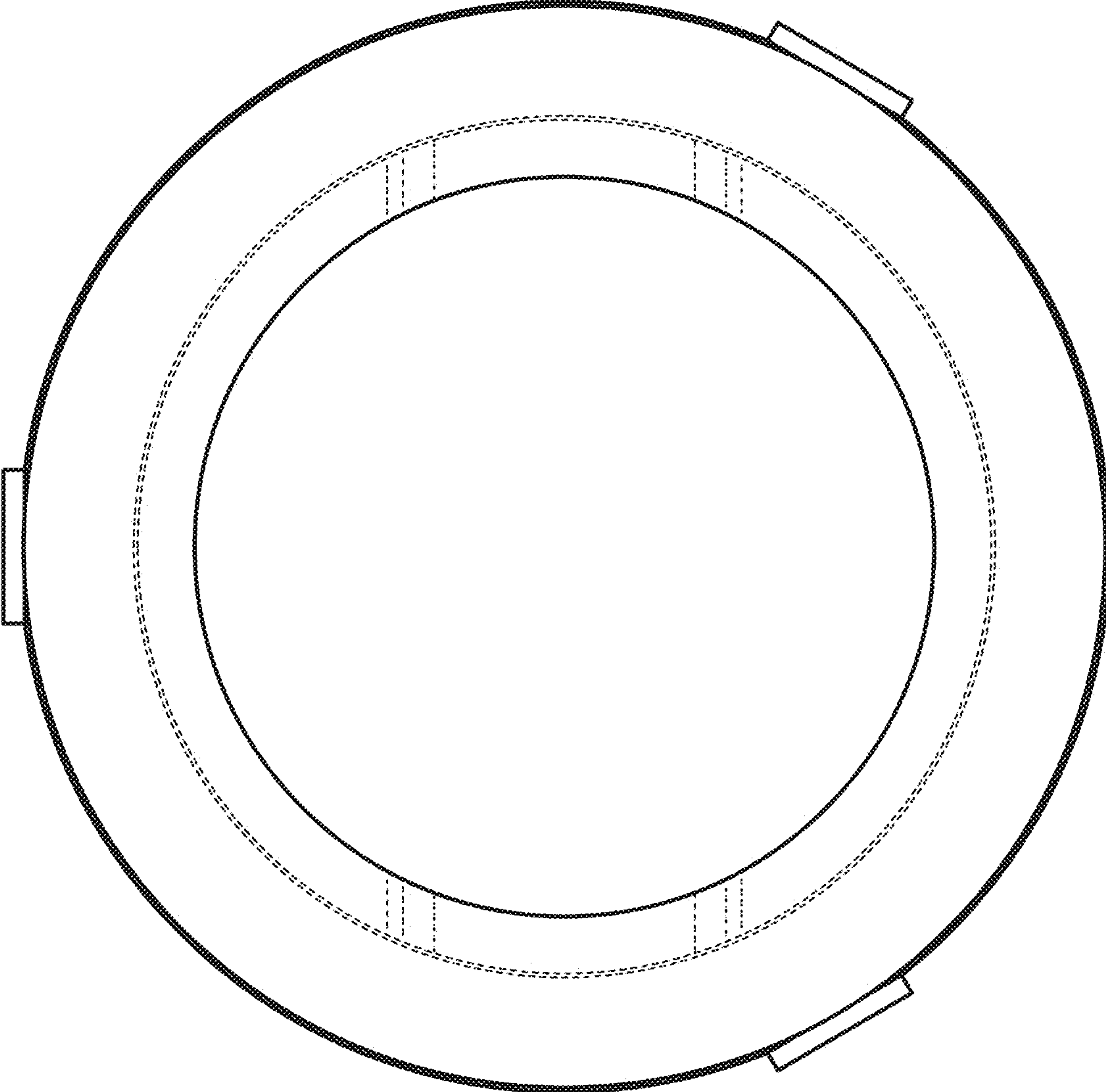


FIG. 7

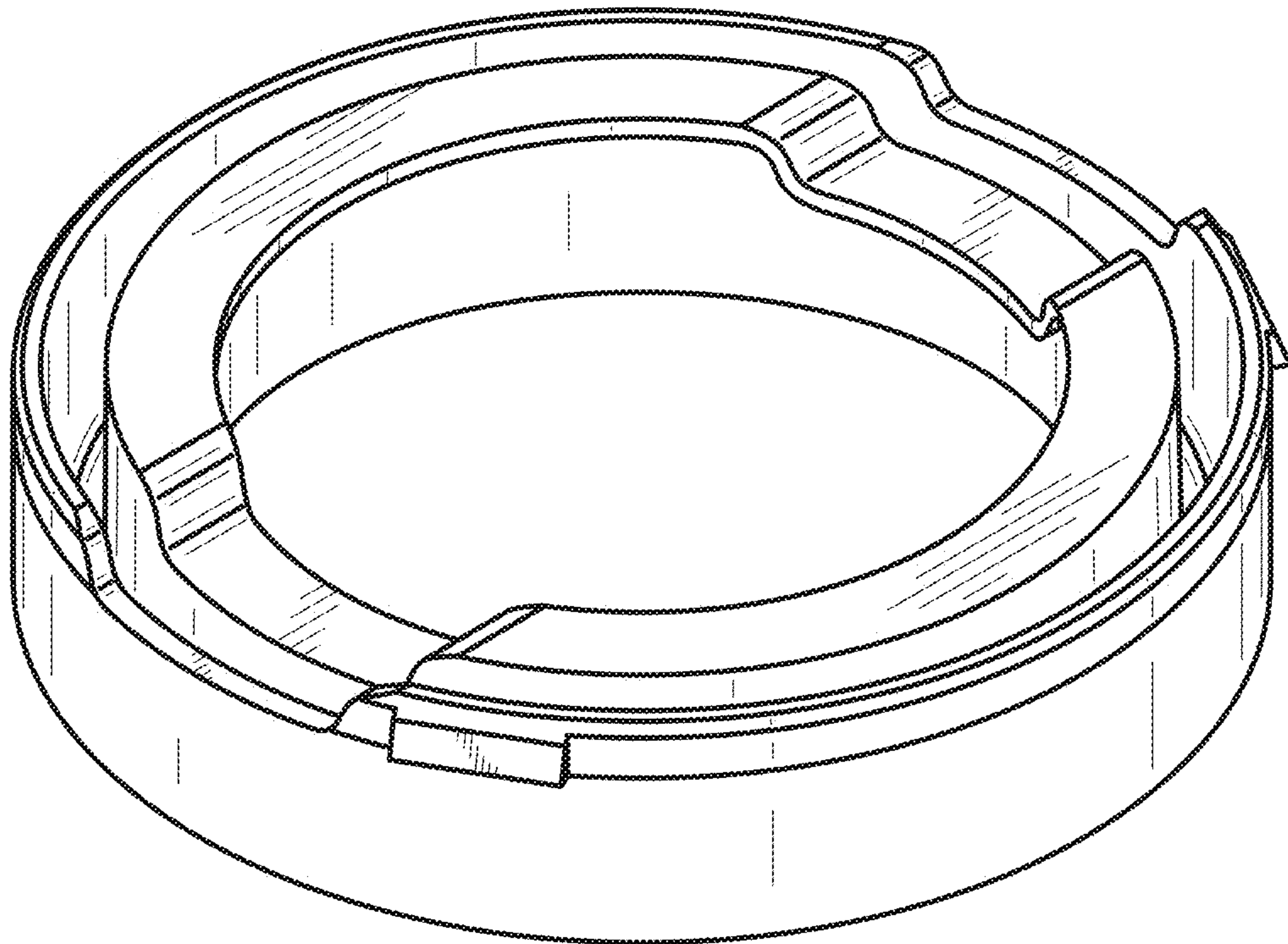


FIG. 8

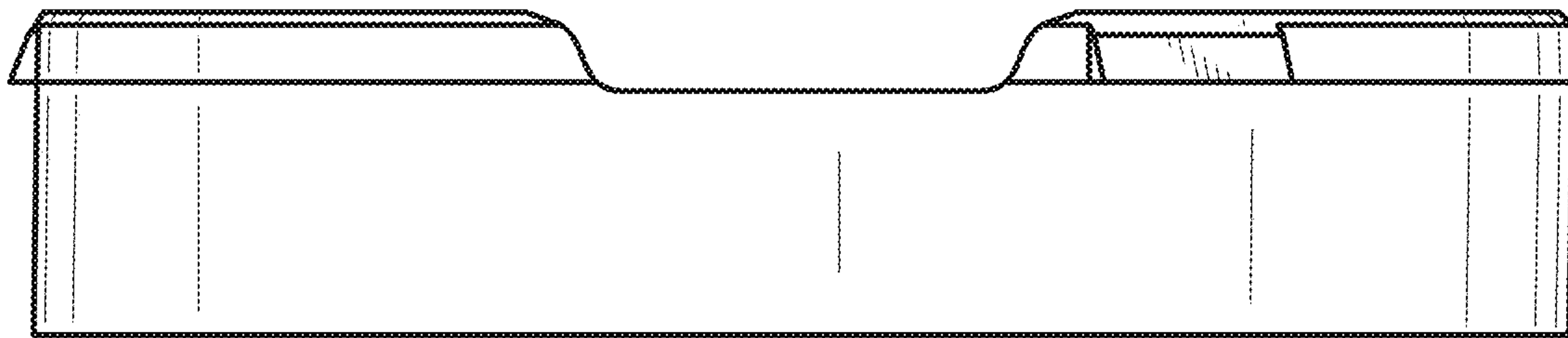


FIG. 9

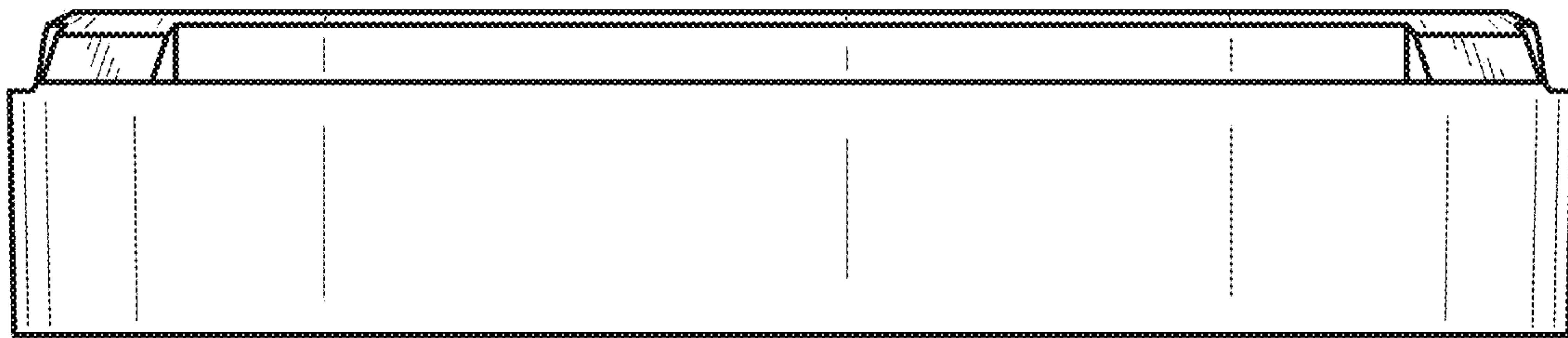


FIG. 10

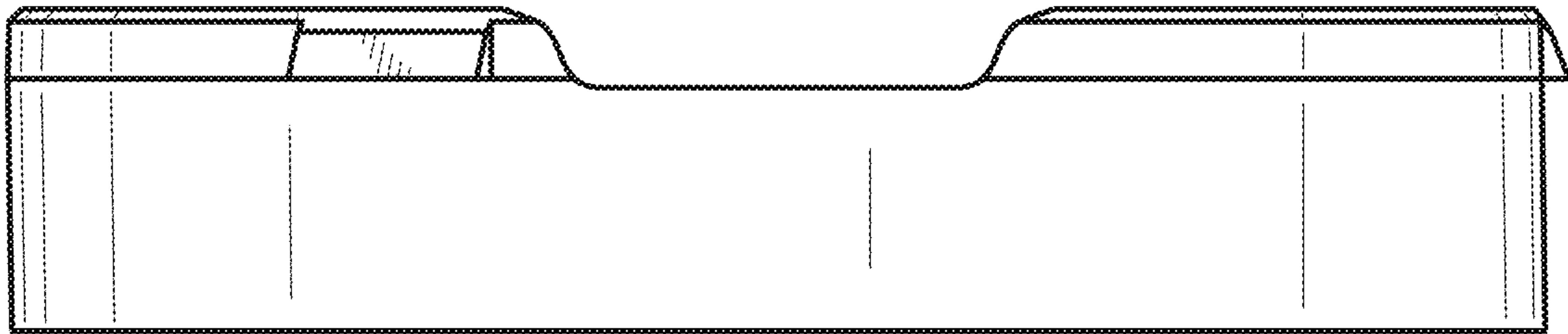


FIG. 11

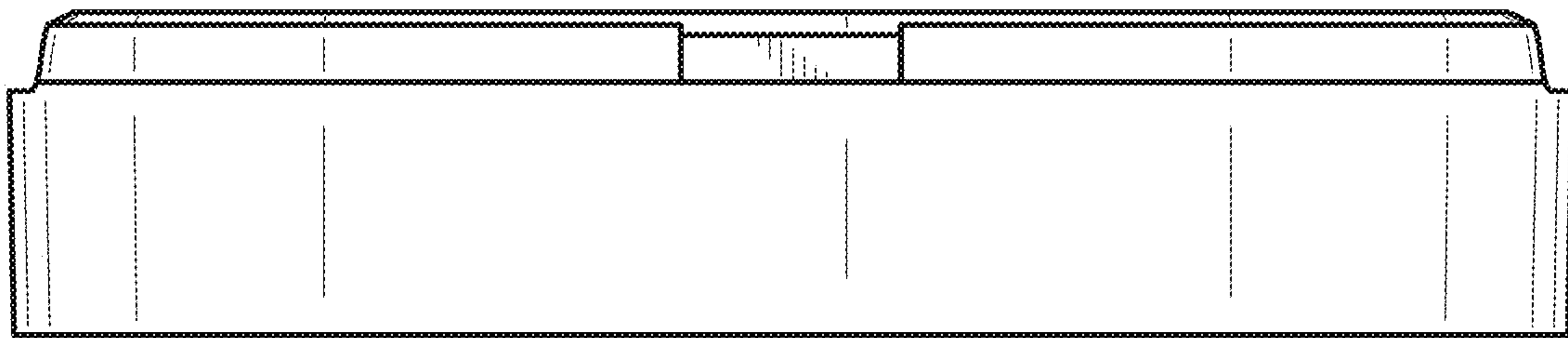


FIG. 12

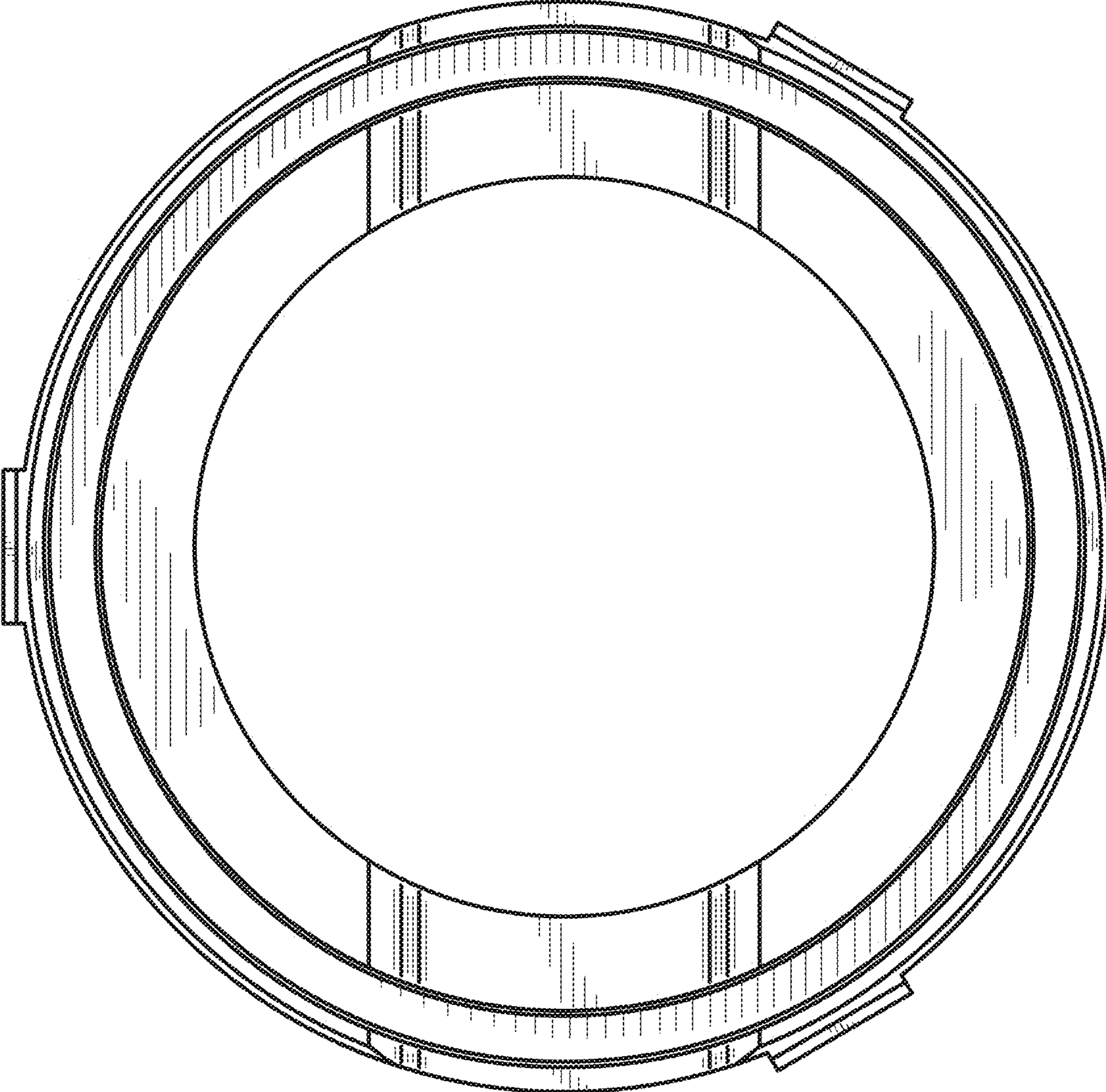


FIG. 13

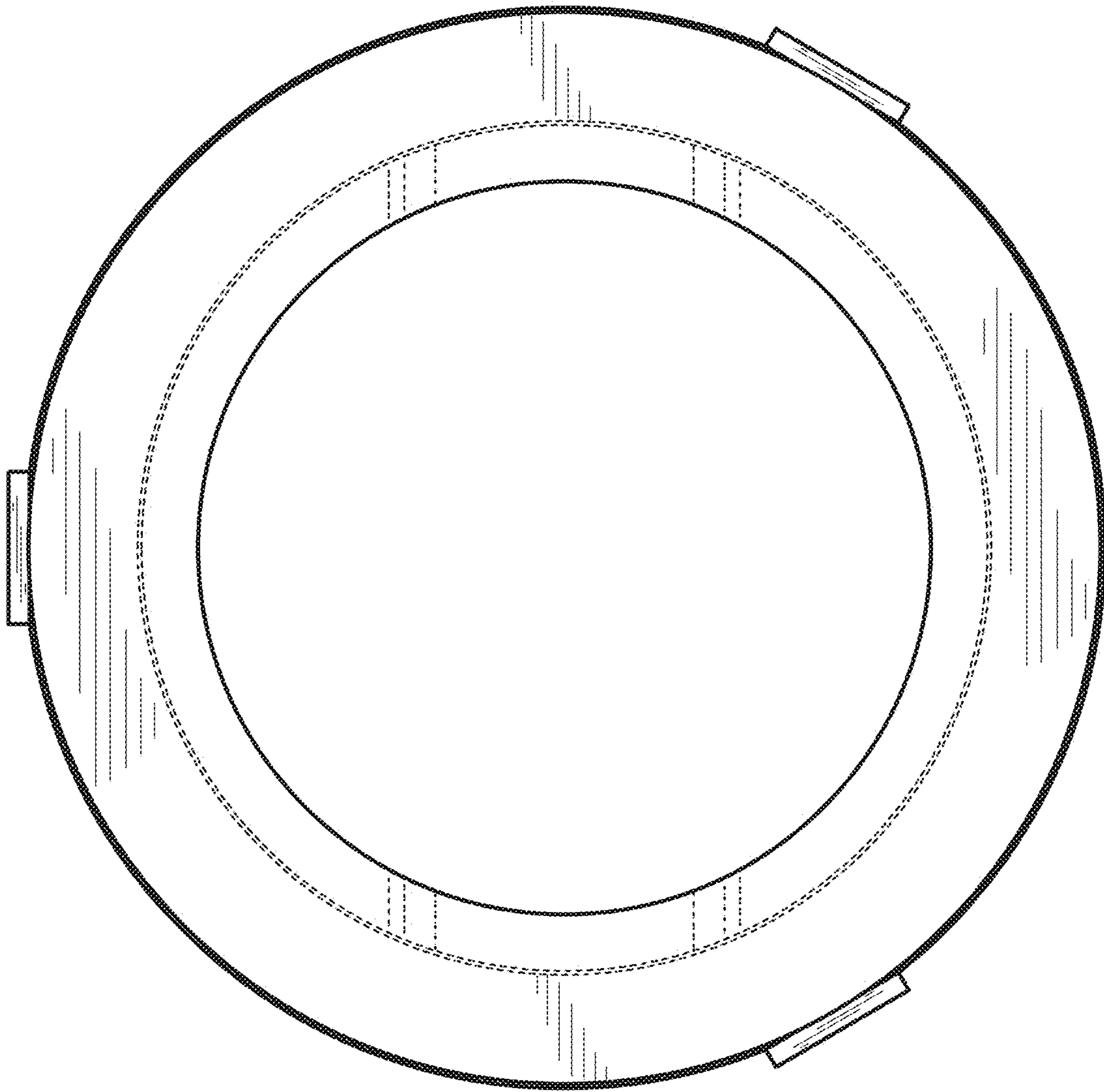


FIG. 14