



US00D916284S

(12) **United States Design Patent**  
**Gagel et al.**

(10) **Patent No.:** **US D916,284 S**  
(45) **Date of Patent:** **\*\* Apr. 13, 2021**

(54) **SURGICAL STAPLER WASHER**

*Primary Examiner* — Wan Laymon

(71) Applicant: **ETHICON LLC**, Guaynabo, PR (US)

(57) **CLAIM**

The ornamental design for a surgical stapler washer, as shown and described.

(72) Inventors: **Jeffrey C. Gagel**, Loveland, OH (US);  
**Scott A. Jenkins**, Mason, OH (US);  
**Nicole Smith**, Bridgewater, NJ (US);  
**Barry T. Jamison**, Fairfield, OH (US);  
**John P. Measamer**, Cincinnati, OH (US);  
**Michael A. Jacobs**, Cincinnati, OH (US)

**DESCRIPTION**

(73) Assignee: **Ethicon LLC**, Guaynabo, PR (US)

FIG. 1 is a perspective view of a first embodiment of a surgical stapler washer embodying our new design;  
FIG. 2 is a first side view of the surgical stapler washer of FIG. 1;

(\*\*) Term: **15 Years**

FIG. 3 is a second side view of the surgical stapler washer of FIG. 1;

(21) Appl. No.: **29/682,822**

FIG. 4 is a third side view of the surgical stapler washer of FIG. 1;

(22) Filed: **Mar. 8, 2019**

FIG. 5 is a fourth side view of the surgical stapler washer of FIG. 1;

(51) **LOC (13) Cl.** ..... **24-02**

(52) **U.S. Cl.**

USPC ..... **D24/145**

(58) **Field of Classification Search**

USPC ..... D24/145, 147, 155; D15/138

See application file for complete search history.

FIG. 6 is a top view of the surgical stapler washer of FIG. 1;

FIG. 7 is a bottom view of the surgical stapler washer of FIG. 1;

(56) **References Cited**

**U.S. PATENT DOCUMENTS**

4,917,114 A \* 4/1990 Green ..... A61B 17/115  
227/179.1

D374,482 S \* 10/1996 Goble ..... D24/145  
(Continued)

FIG. 8 is a perspective view of a second embodiment of a surgical stapler washer embodying our new design;

FIG. 9 is a first side view of the surgical stapler washer of FIG. 8;

FIG. 10 is a second side view of the surgical stapler washer of FIG. 8;

FIG. 11 is a third side view of the surgical stapler washer of FIG. 8;

FIG. 12 is a fourth side view of the surgical stapler washer of FIG. 8;

FIG. 13 is a top view of the surgical stapler washer of FIG. 8; and,

FIG. 14 is a bottom view of the surgical stapler washer of FIG. 8.

**FOREIGN PATENT DOCUMENTS**

JP 1473643 S 7/2013

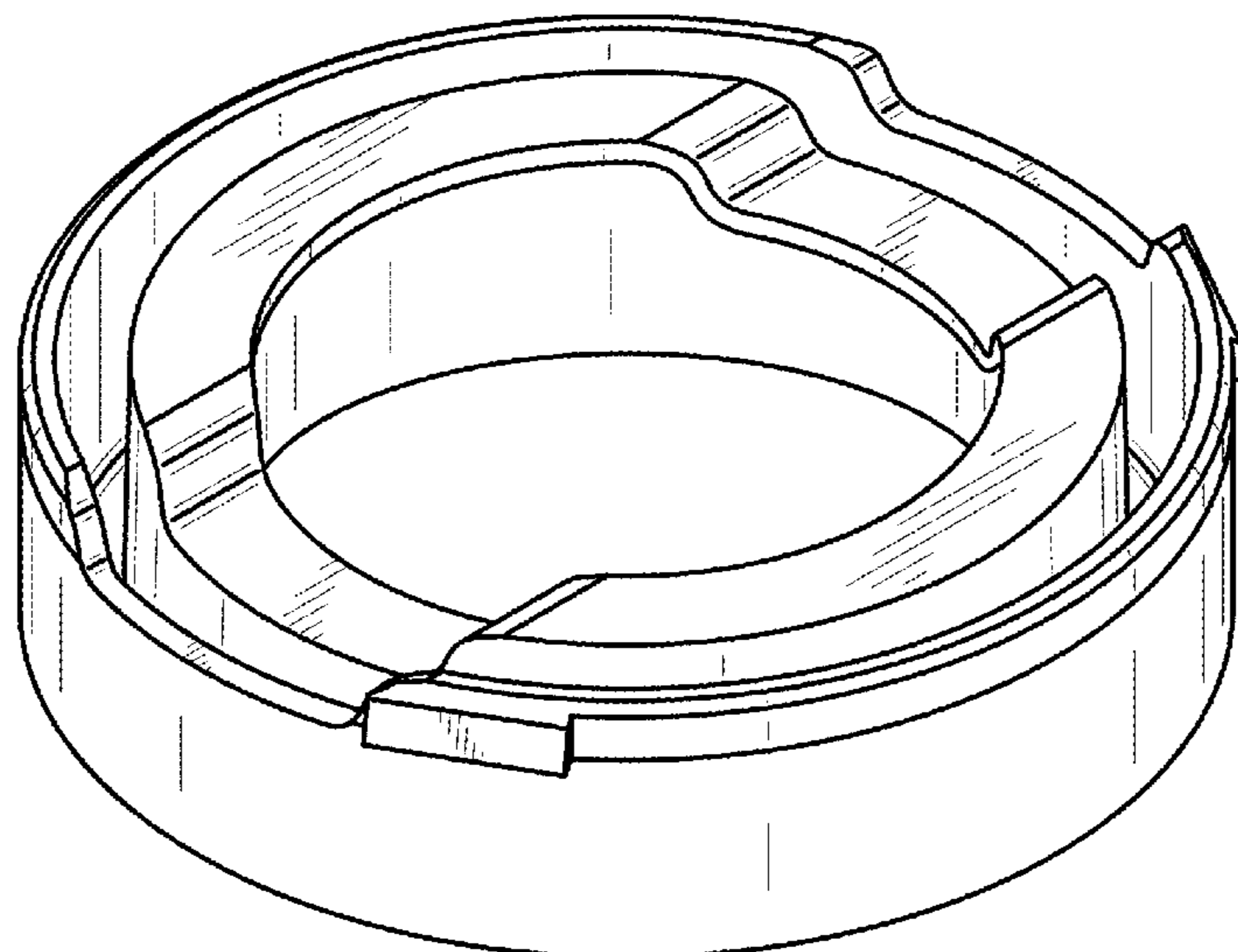
**OTHER PUBLICATIONS**

Japanese Search Report, dated Aug. 4, 2020, for Design Application 2019-019920 (1 page).

The broken lines shown herein are included for the purpose of illustrating an environment of the article and form no part of the claimed design. Furthermore, additional embodiments are contemplated.

(Continued)

**1 Claim, 14 Drawing Sheets**



(56)

**References Cited**

U.S. PATENT DOCUMENTS

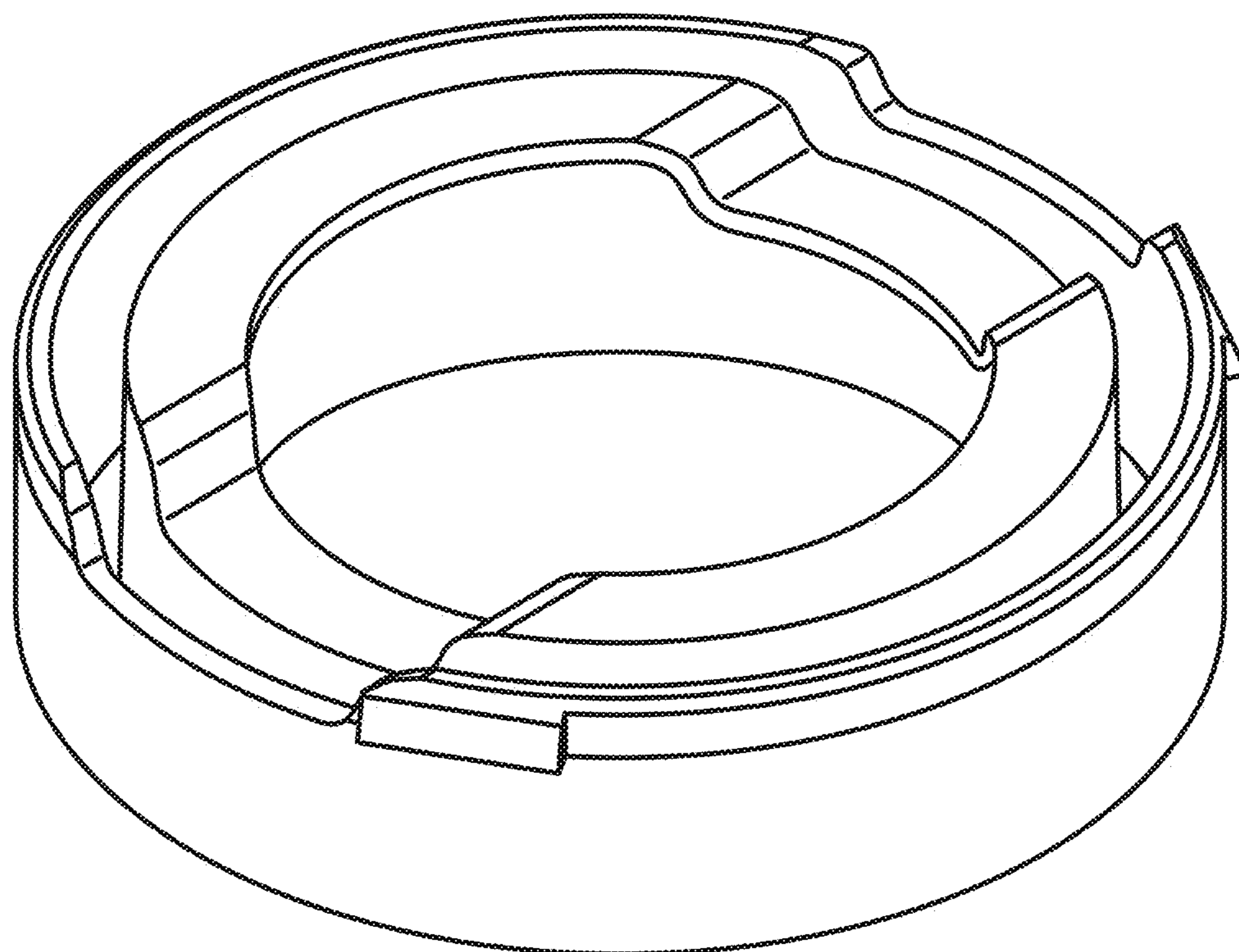
D404,128 S \* 1/1999 Huebner ..... D24/145  
 8,328,063 B2 \* 12/2012 Milliman ..... A61B 17/115  
 227/179.1  
 8,567,655 B2 \* 10/2013 Nalagatla ..... A61B 17/068  
 227/175.1  
 8,573,464 B2 \* 11/2013 Nalagatla ..... A61B 17/1155  
 227/175.1  
 8,733,615 B2 \* 5/2014 Nalagatla ..... A61B 17/115  
 227/179.1  
 8,746,532 B2 \* 6/2014 Nalagatla ..... A61B 17/068  
 227/176.1  
 9,592,056 B2 \* 3/2017 Mozdierz ..... A61B 17/1155  
 10,426,480 B2 \* 10/2019 Scirica ..... A61B 17/068  
 10,478,190 B2 \* 11/2019 Miller ..... A61B 17/068  
 2009/0192516 A1 \* 7/2009 Tallarida ..... A61B 17/0401  
 606/96  
 2012/0292366 A1 \* 11/2012 Nalagatla ..... A61B 17/068  
 227/175.1

2012/0292368 A1 \* 11/2012 Nalagatla ..... A61B 17/068  
 227/175.2  
 2013/0018428 A1 \* 1/2013 Harper ..... A61B 17/8695  
 606/305  
 2017/0281189 A1 \* 10/2017 Nalagatla ..... A61B 17/115  
 2018/0375562 A1 \* 12/2018 Nalagatla ..... A61B 17/068

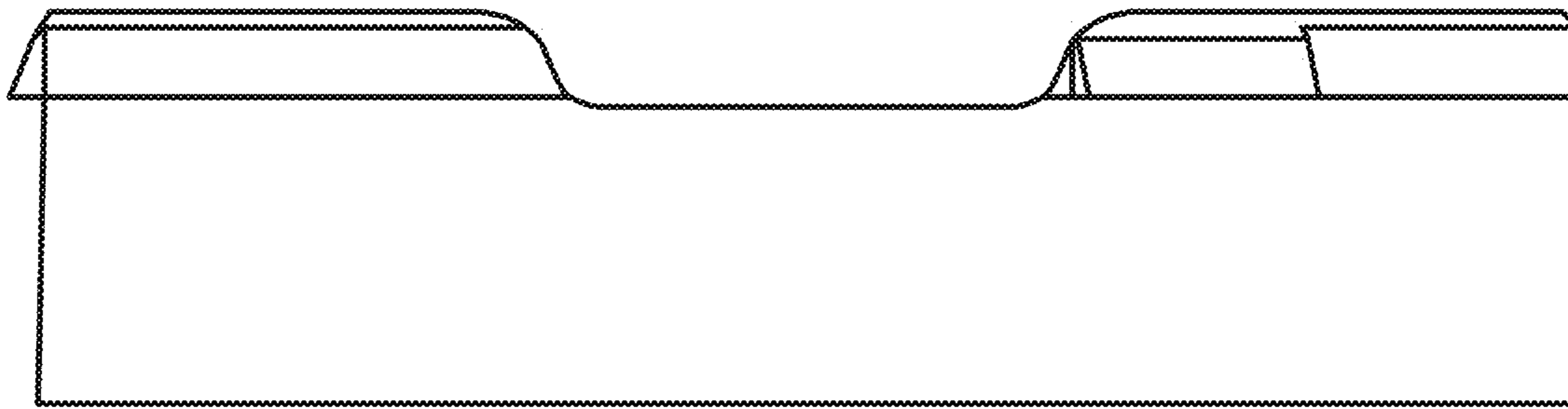
OTHER PUBLICATIONS

Japanese Search Report, dated Aug. 4, 2020, for Design Application 2019-019921 (1 page).  
 Japanese Search Report, dated Aug. 4, 2020, for Design Application 2019-019922 (1 page).  
 Japanese Search Report, dated Aug. 4, 2020, for Design Application 2019-019923 (1 page).  
 Kabushiki Kaisha Homemaking, published on the website, 308403, [database online] JPO Division of Design, Official Gazette Known Data No. HJ20049985)0,0), [retrieved Nov. 18, 2020 using the Internet: <[Product page URL.] [http://www.homemaking.jp/product\\_info.php?products\\_id=46110](http://www.homemaking.jp/product_info.php?products_id=46110)>].

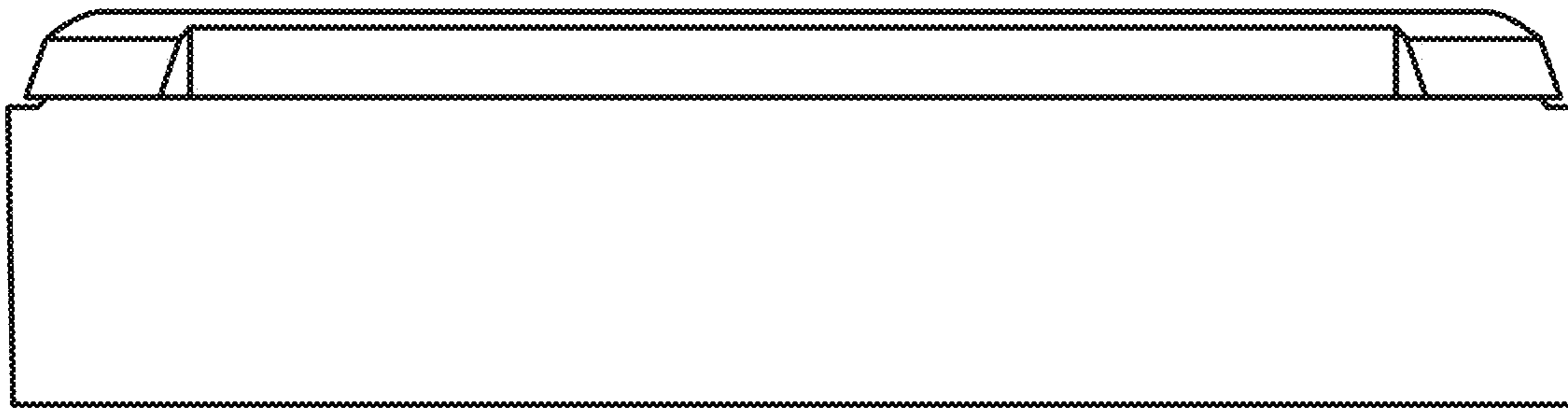
\* cited by examiner



**FIG. 1**



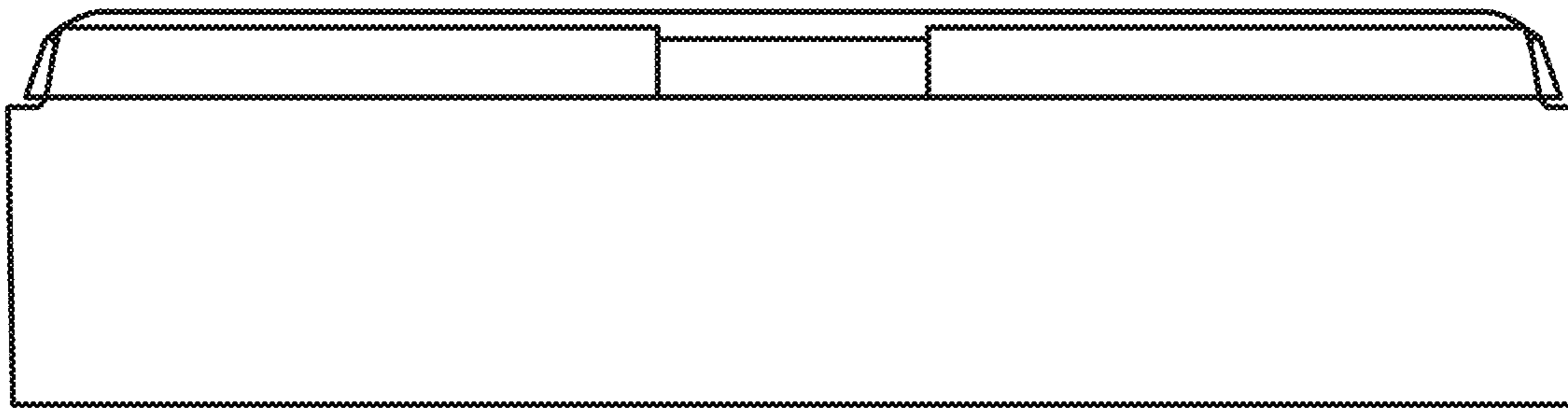
**FIG. 2**



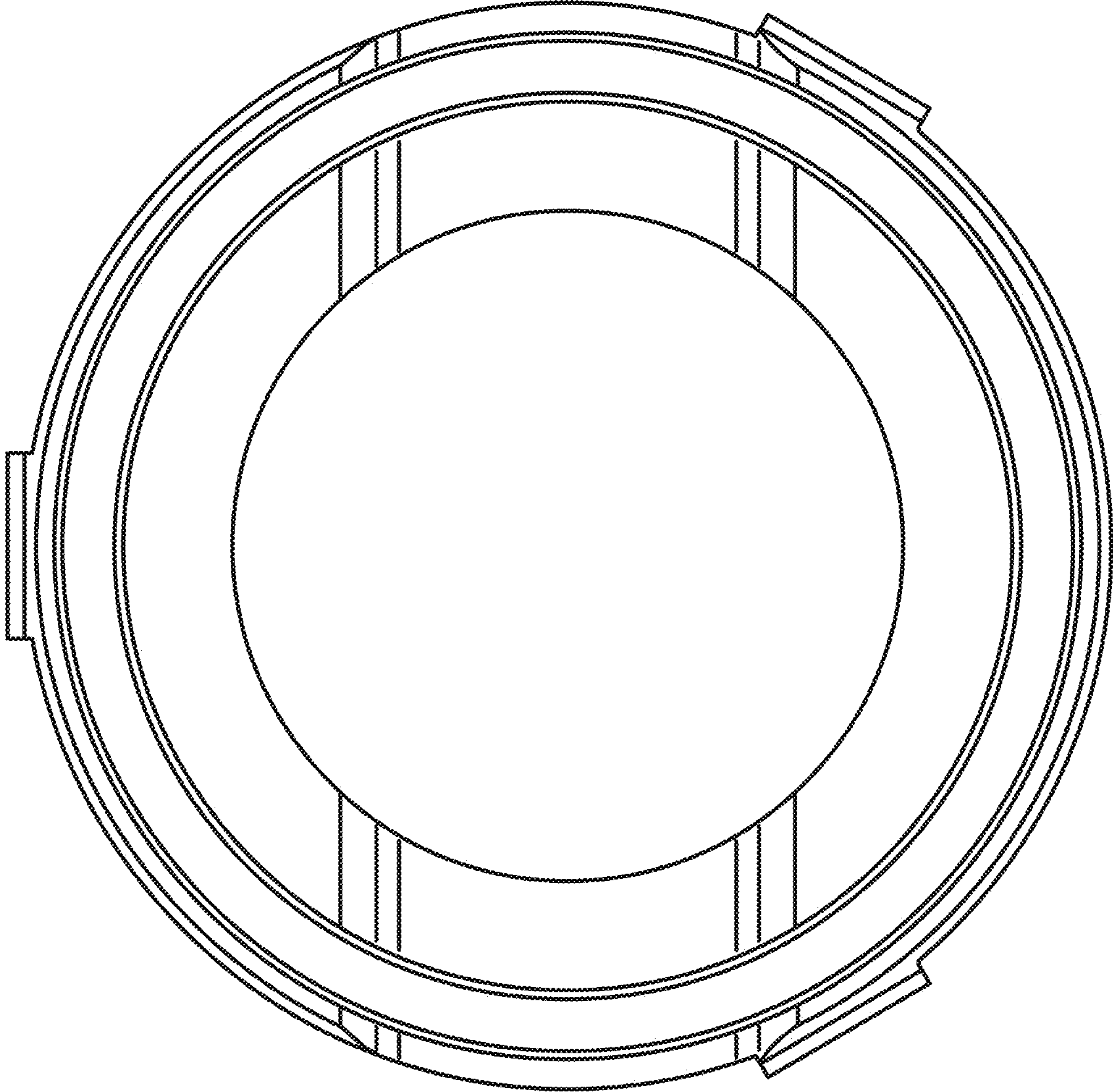
**FIG. 3**



**FIG. 4**

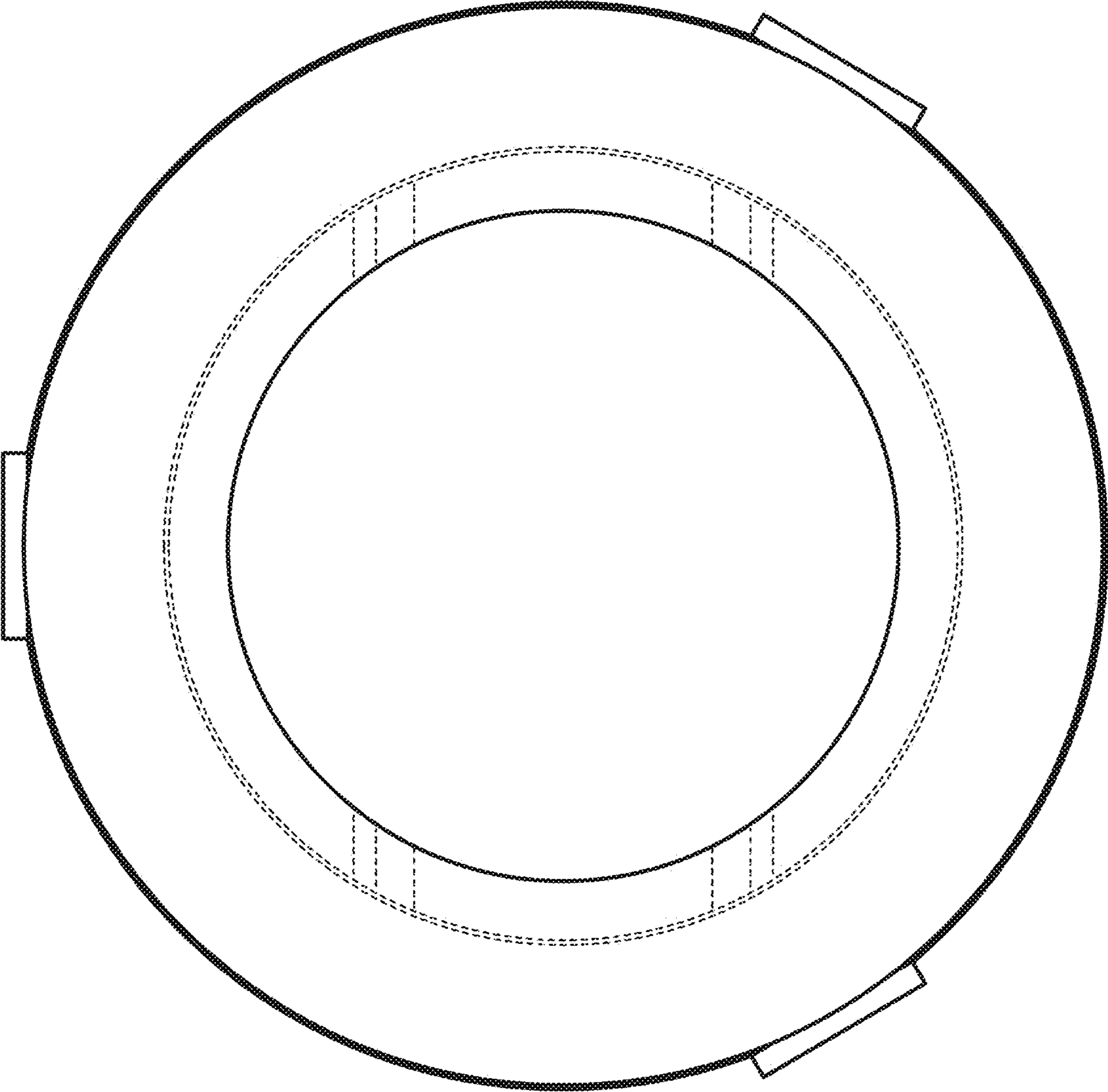


**FIG. 5**

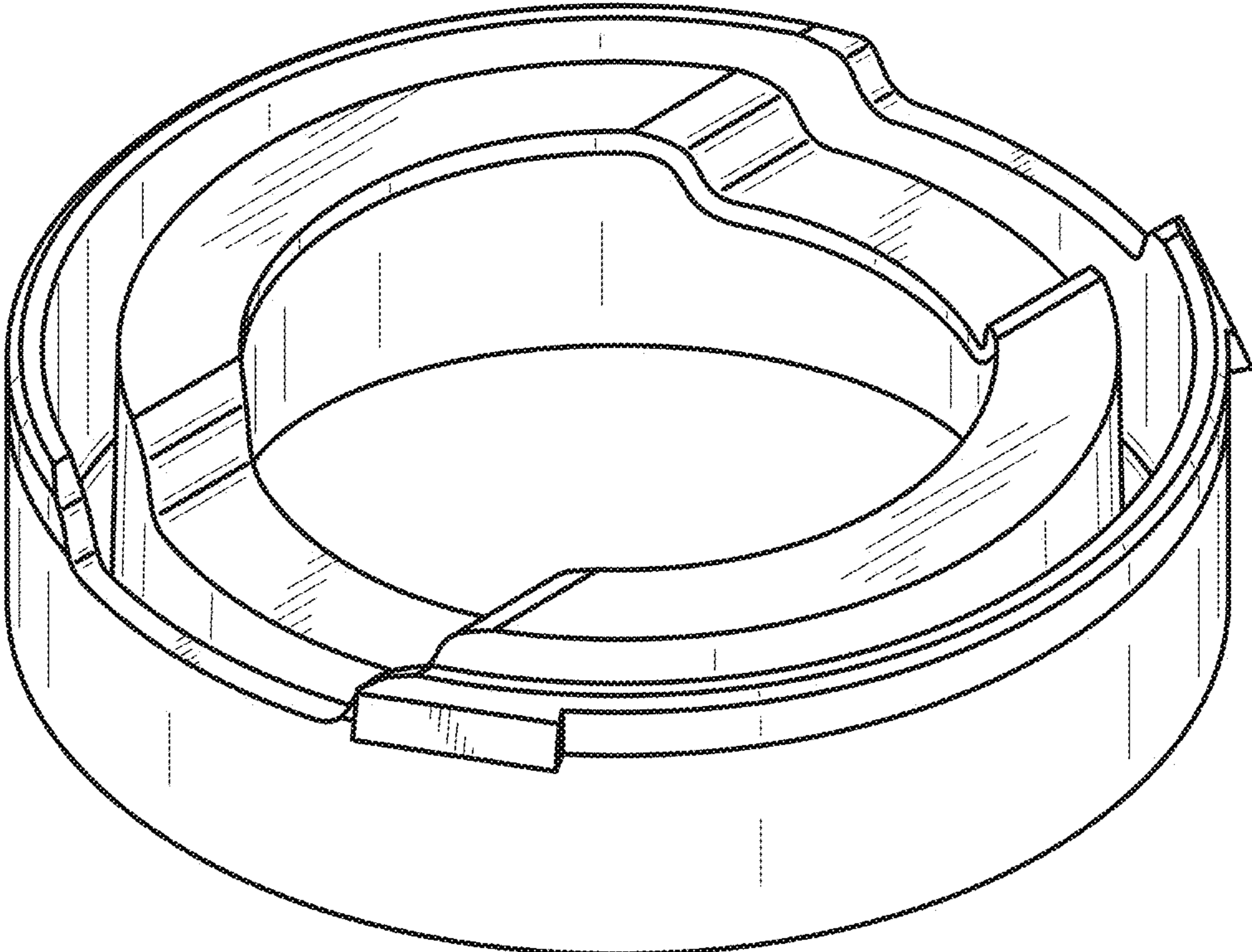


**FIG. 6**

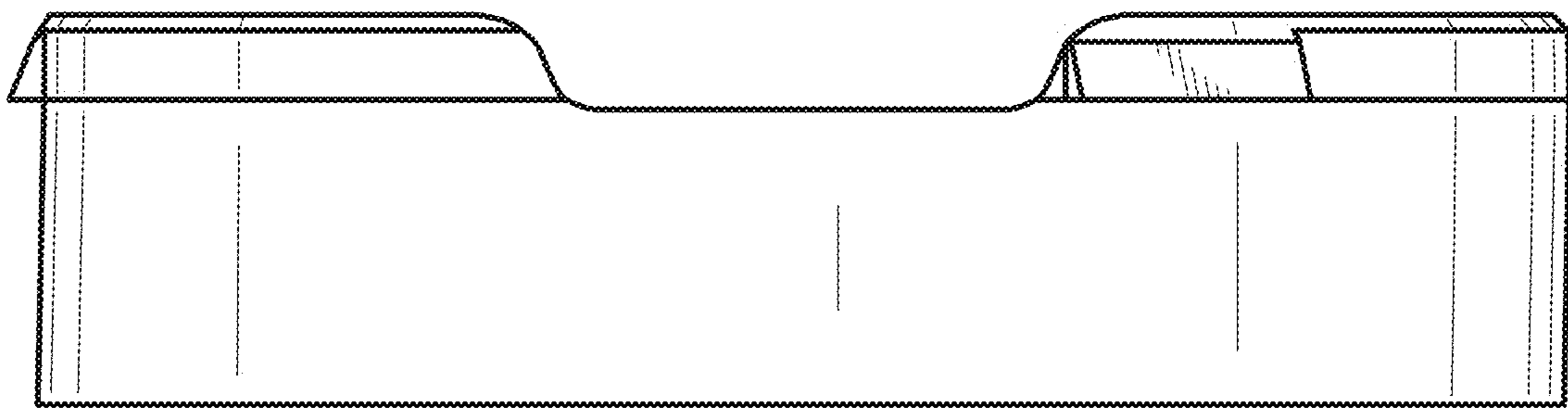




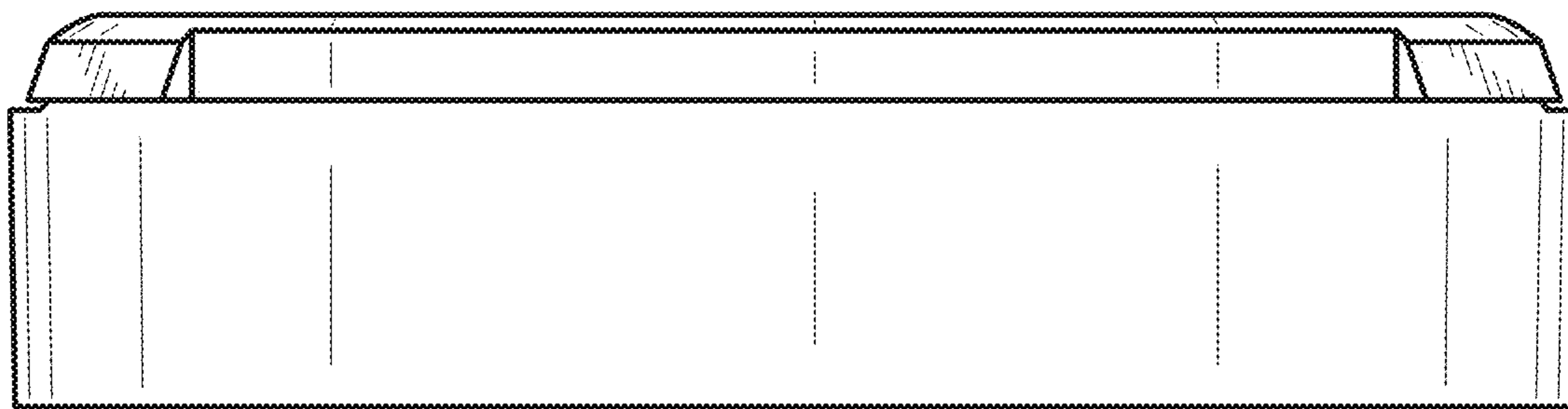
**FIG. 7**



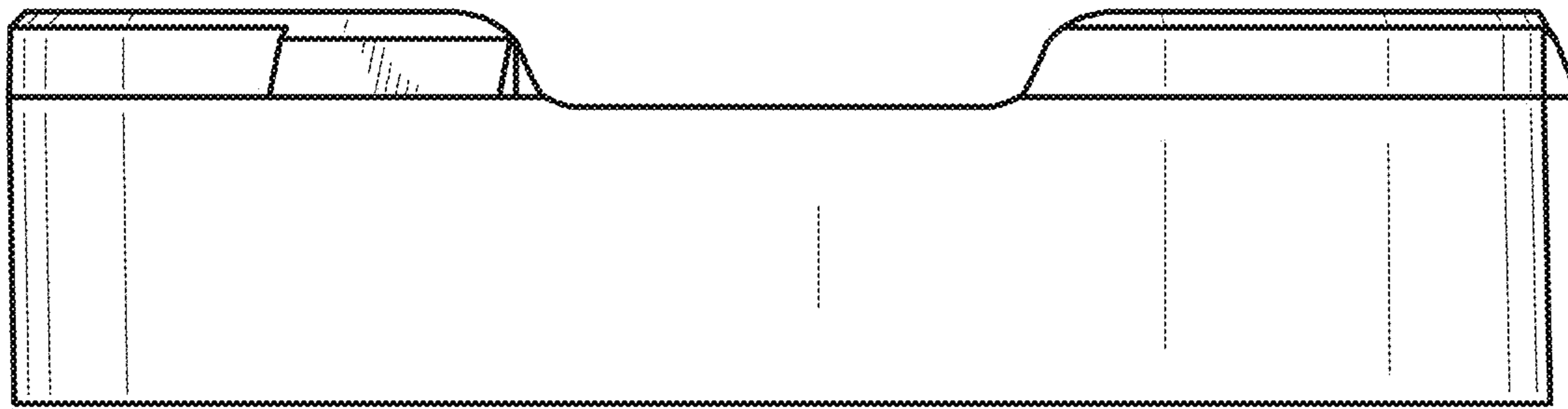
**FIG. 8**



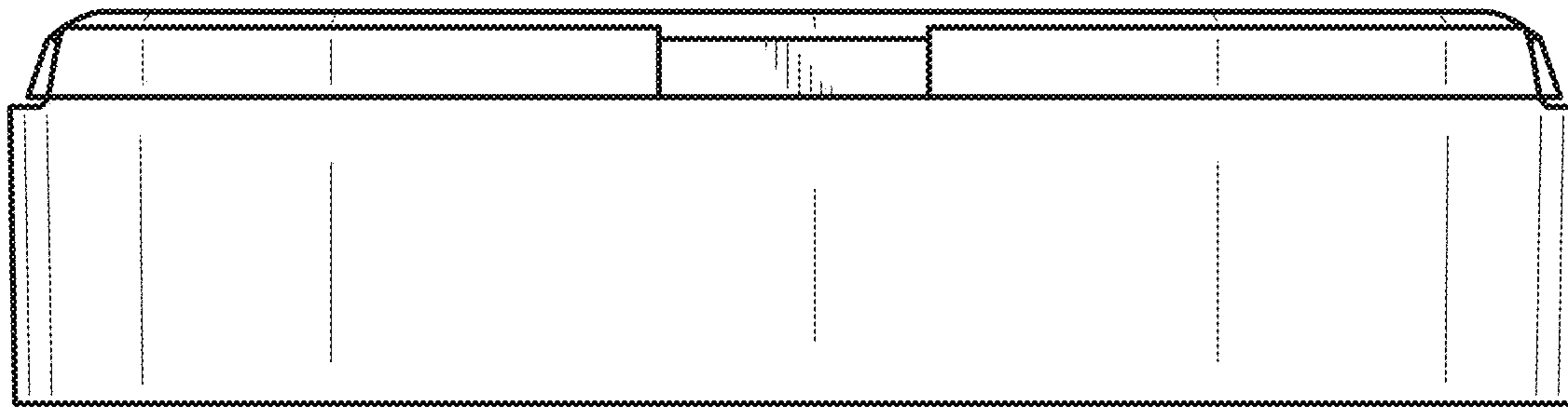
**FIG. 9**



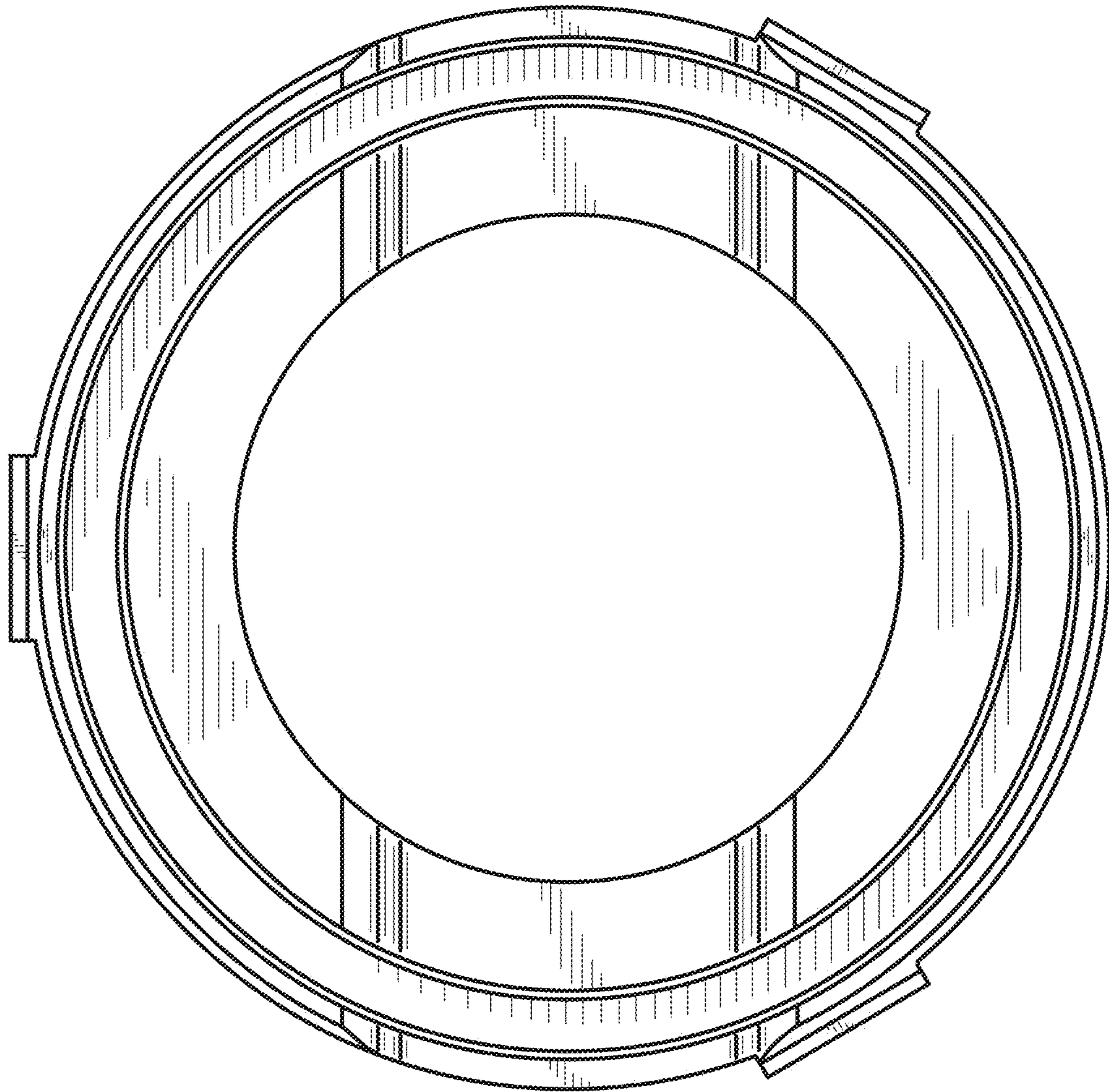
**FIG. 10**



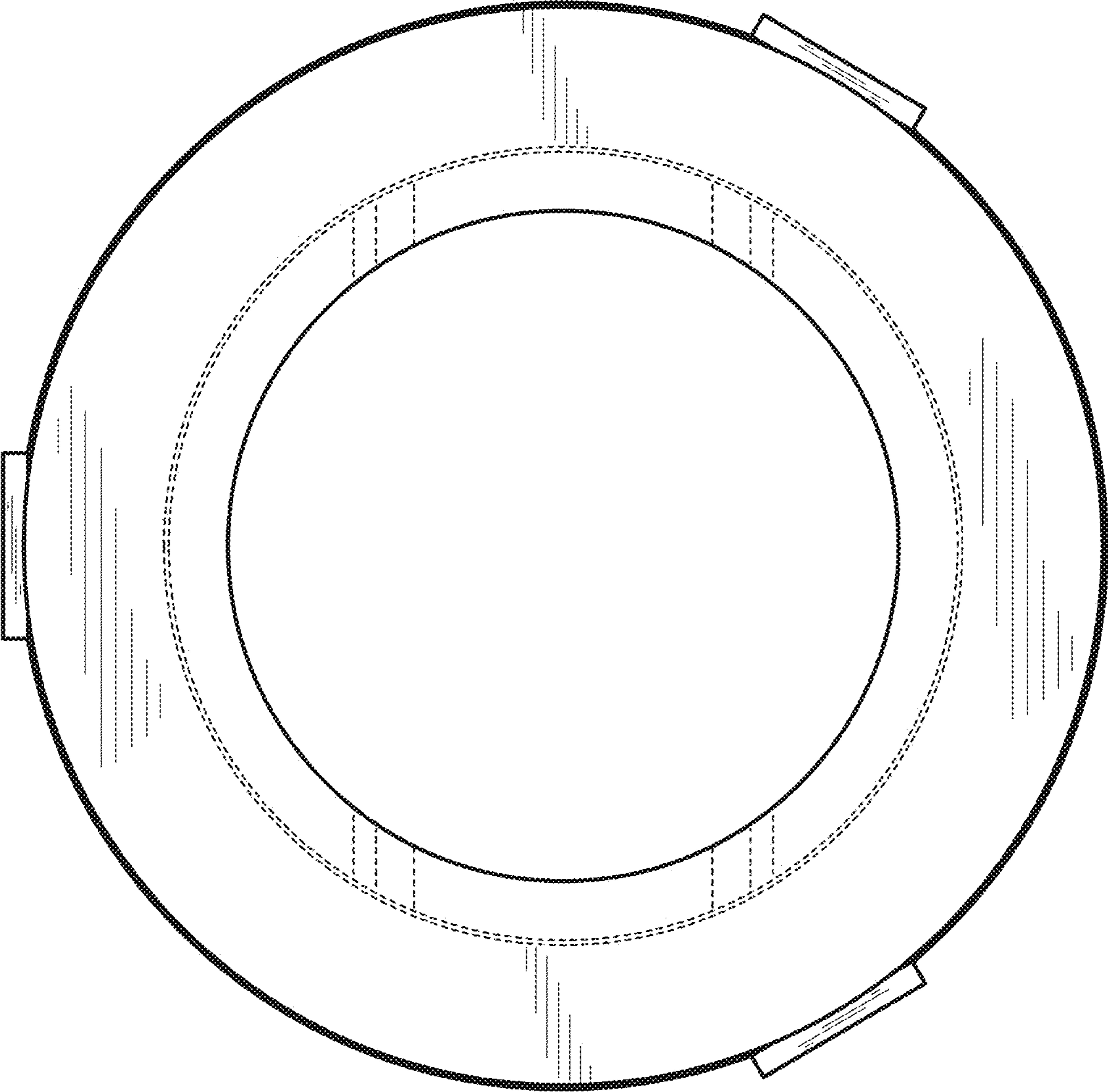
**FIG. 11**



**FIG. 12**



**FIG. 13**



**FIG. 14**