



US00D916283S

(12) **United States Design Patent**
Gagel et al.

(10) **Patent No.:** **US D916,283 S**
(45) **Date of Patent:** **** Apr. 13, 2021**

(54) **SURGICAL STAPLER WASHER**

Primary Examiner — Wan Laymon

(71) Applicant: **ETHICON LLC**, Guaynabo, PR (US)

(57) **CLAIM**

(72) Inventors: **Jeffrey C. Gagel**, Loveland, OH (US);
Scott A. Jenkins, Mason, OH (US);
Nicole Smith, Bridgewater, NJ (US);
Barry T. Jamison, Fairfield, OH (US);
John P. Measamer, Cincinnati, OH (US);
Michael A. Jacobs, Cincinnati, OH (US)

The ornamental design for a surgical stapler washer, as shown and described.

(73) Assignee: **Ethicon LLC**, Guaynabo, PR (US)

DESCRIPTION

(**) Term: **15 Years**

(21) Appl. No.: **29/682,821**

(22) Filed: **Mar. 8, 2019**

(51) **LOC (13) Cl.** **24-02**

(52) **U.S. Cl.**
USPC **D24/145**

(58) **Field of Classification Search**
USPC D24/145, 147, 155; D15/138
See application file for complete search history.

FIG. 1 is a perspective view of a first embodiment of a surgical stapler washer embodying our new design; FIG. 2 is a first side view of the surgical stapler washer of FIG. 1; FIG. 3 is a second side view of the surgical stapler washer of FIG. 1; FIG. 4 is a third side view of the surgical stapler washer of FIG. 1; FIG. 5 is a fourth side view of the surgical stapler washer of FIG. 1; FIG. 6 is a top view of the surgical stapler washer of FIG. 1; FIG. 7 is a bottom view of the surgical stapler washer of FIG. 1; FIG. 8 is a perspective view of a second embodiment of a surgical stapler washer embodying our new design; FIG. 9 is a first side view of the surgical stapler washer of FIG. 8; FIG. 10 is a second side view of the surgical stapler washer of FIG. 8; FIG. 11 is a third side view of the surgical stapler washer of FIG. 8; FIG. 12 is a fourth side view of the surgical stapler washer of FIG. 8; FIG. 13 is a top view of the surgical stapler washer of FIG. 8; and, FIG. 14 is a bottom view of the surgical stapler washer of FIG. 8.

The broken lines shown herein are included for the purpose of illustrating an environment of the article and form no part of the claimed design.

(56) **References Cited**

U.S. PATENT DOCUMENTS

4,917,114 A * 4/1990 Green A61B 17/115
227/179.1
D374,482 S * 10/1996 Goble D24/145
(Continued)

FOREIGN PATENT DOCUMENTS

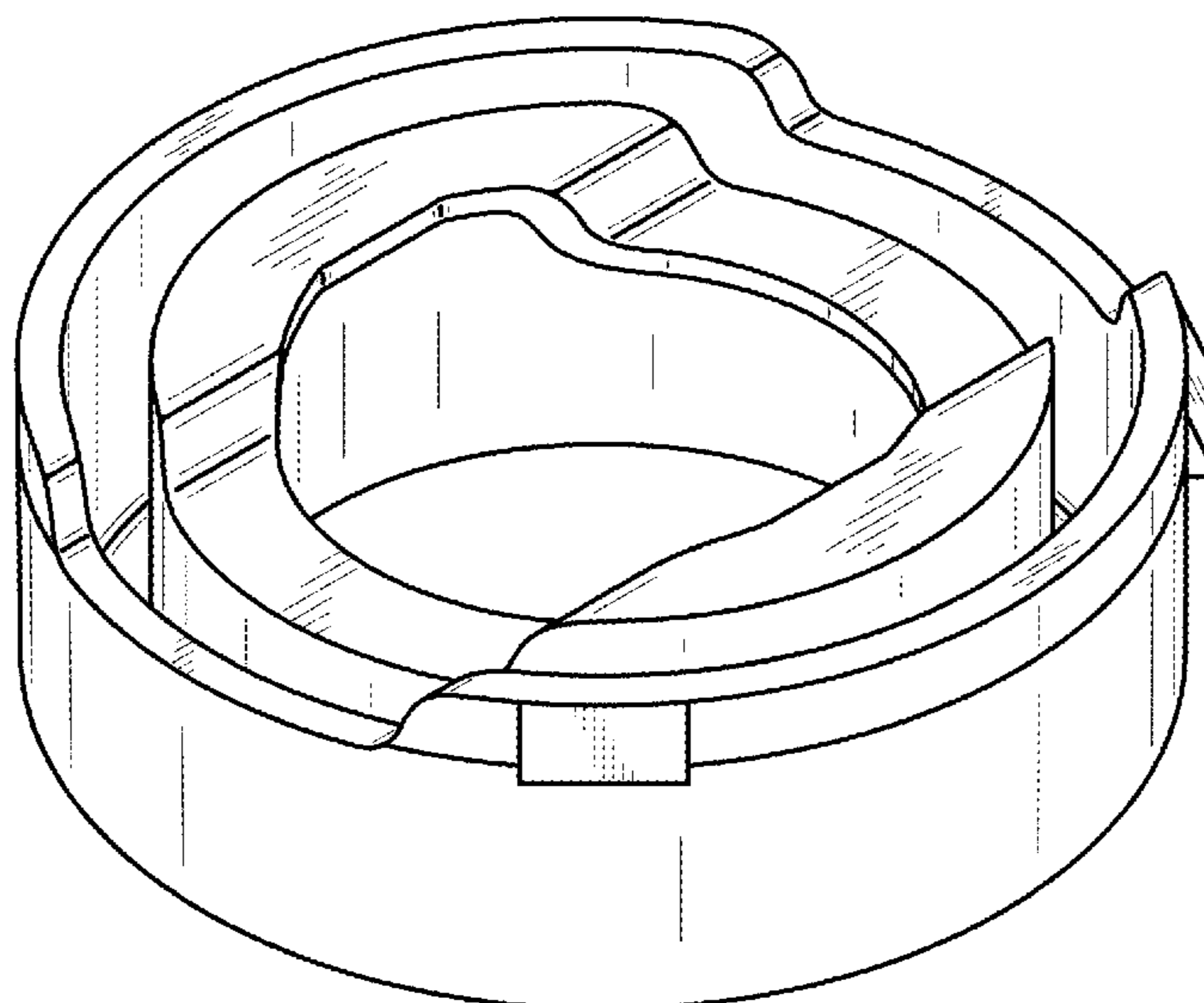
JP 1473643 S 7/2013

OTHER PUBLICATIONS

Japanese Search Report, dated Aug. 4, 2020, for Design Application 2019-019920 (1 page).

(Continued)

1 Claim, 14 Drawing Sheets



(56)

References Cited

U.S. PATENT DOCUMENTS

D404,128 S * 1/1999 Huebner D24/145
 8,328,063 B2 * 12/2012 Milliman A61B 17/115
 227/179.1
 8,567,655 B2 * 10/2013 Nalagatla A61B 17/068
 227/175.1
 8,573,464 B2 * 11/2013 Nalagatla A61B 17/1155
 227/175.1
 8,733,615 B2 * 5/2014 Nalagatla A61B 17/115
 227/179.1
 8,746,532 B2 * 6/2014 Nalagatla A61B 17/068
 227/176.1
 9,592,056 B2 * 3/2017 Mozdierz A61B 17/1155
 10,426,480 B2 * 10/2019 Scirica A61B 17/068
 10,478,190 B2 * 11/2019 Miller A61B 17/068
 2009/0192516 A1 * 7/2009 Tallarida A61B 17/0401
 606/96
 2012/0292366 A1 * 11/2012 Nalagatla A61B 17/068
 227/175.1

2012/0292368 A1 * 11/2012 Nalagatla A61B 17/068
 227/175.2
 2013/0018428 A1 * 1/2013 Harper A61B 17/8695
 606/305
 2017/0281189 A1 * 10/2017 Nalagatla A61B 17/115
 2018/0375562 A1 * 12/2018 Nalagatla A61B 17/068

OTHER PUBLICATIONS

Japanese Search Report, dated Aug. 4, 2020, for Design Application 2019-019921 (1 page).
 Japanese Search Report, dated Aug. 4, 2020, for Design Application 2019-019922 (1 page).
 Japanese Search Report, dated Aug. 4, 2020, for Design Application 2019-019923 (1 page).
 Kabushiki Kaisha Homemaking, published on the website, 308403, [database online] JPO Division of Design, Official Gazette Known Data No. HJ20049985)Q0), [retrieved Nov. 18, 2020 using the Internet: <[Product page URL.] http://www.homemaking.jp/product_info.php?products_id=46110>].

* cited by examiner

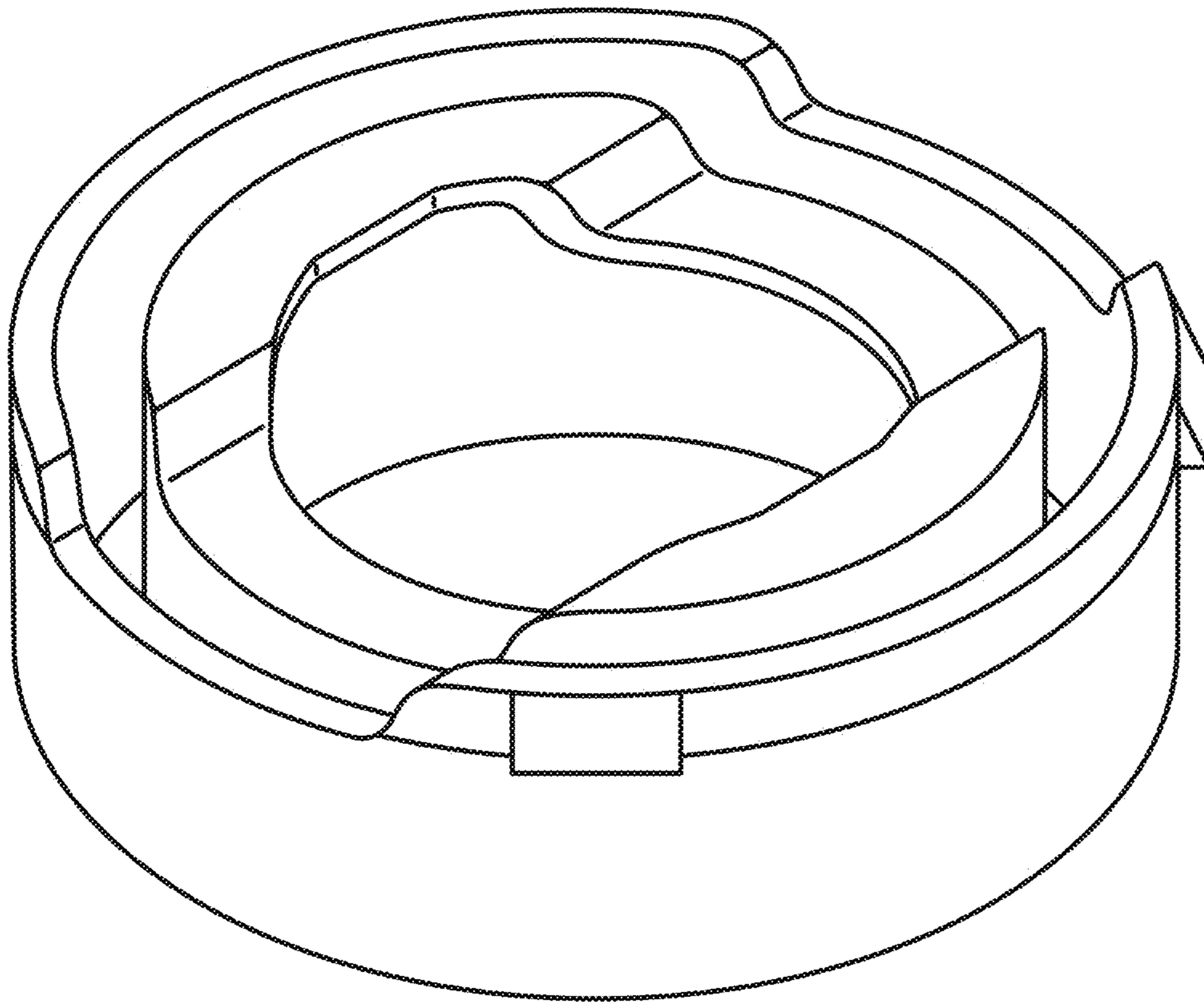


FIG. 1

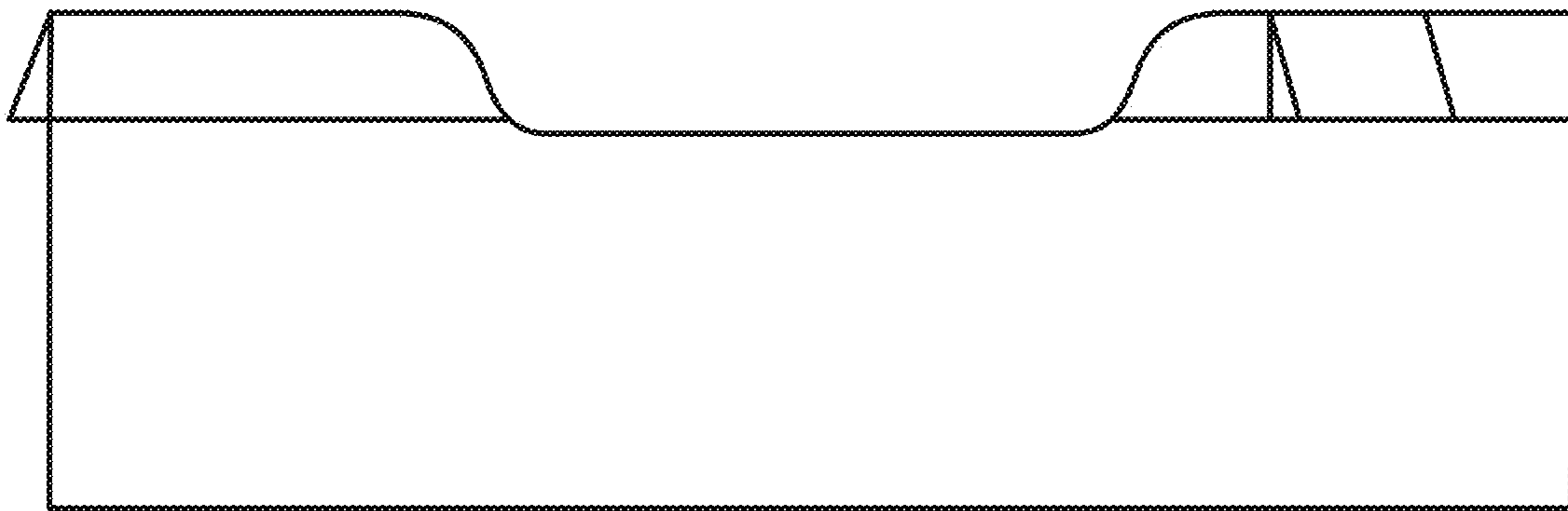


FIG. 2

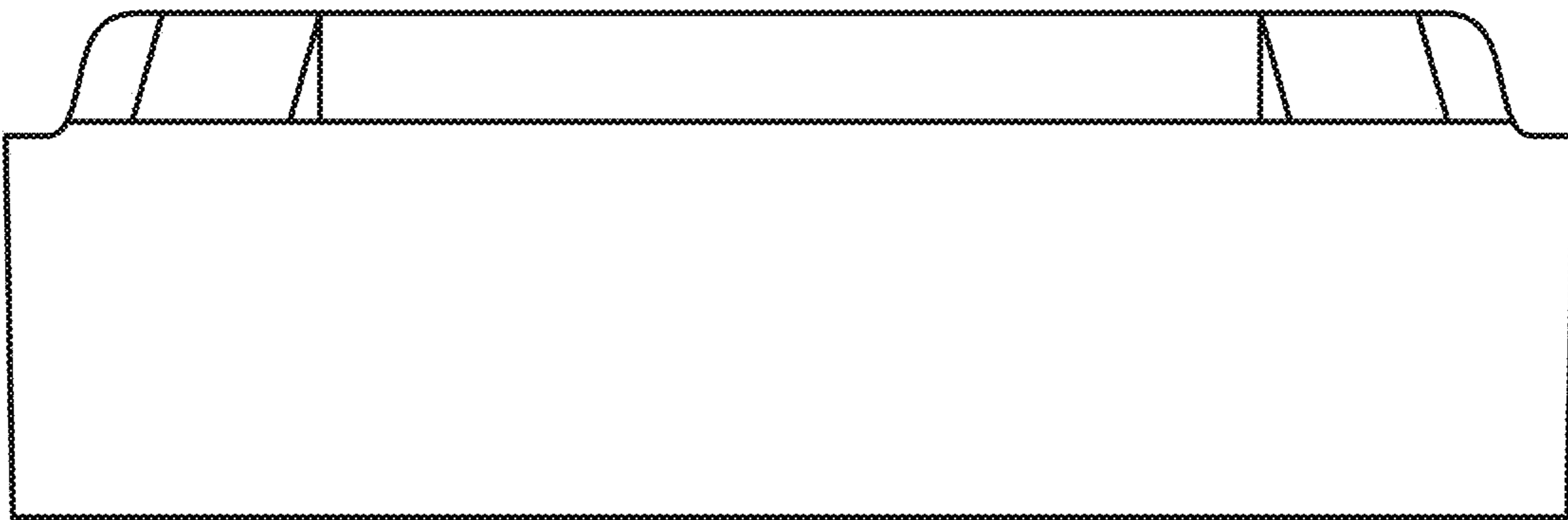


FIG. 3

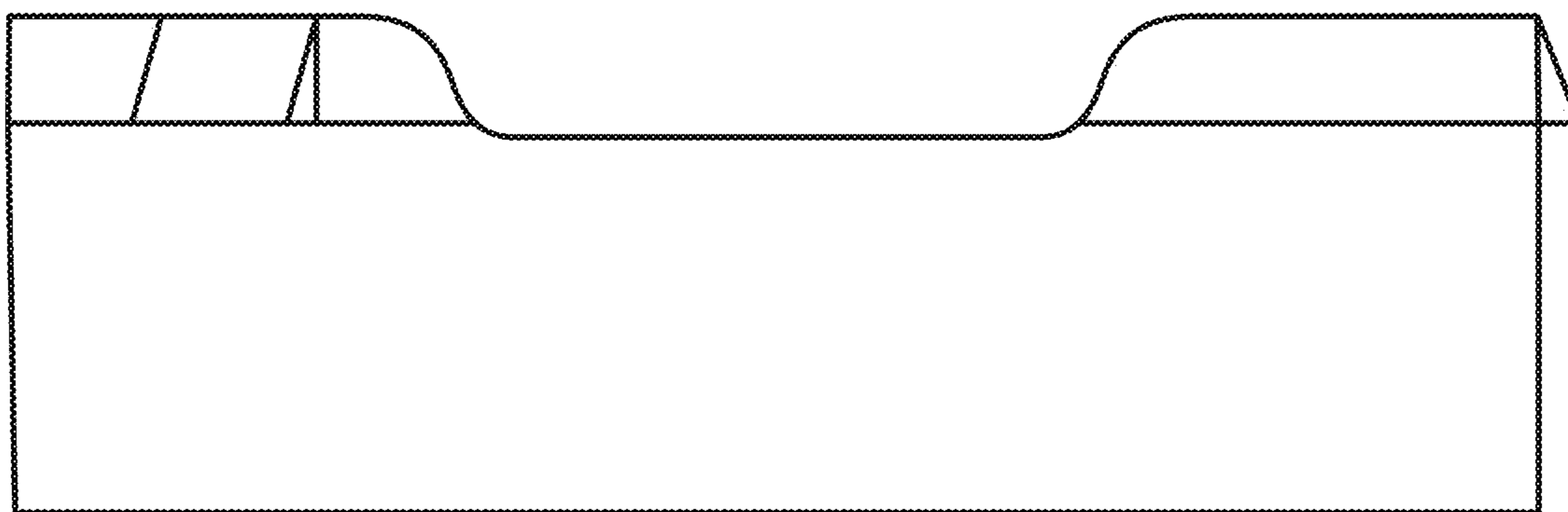


FIG. 4

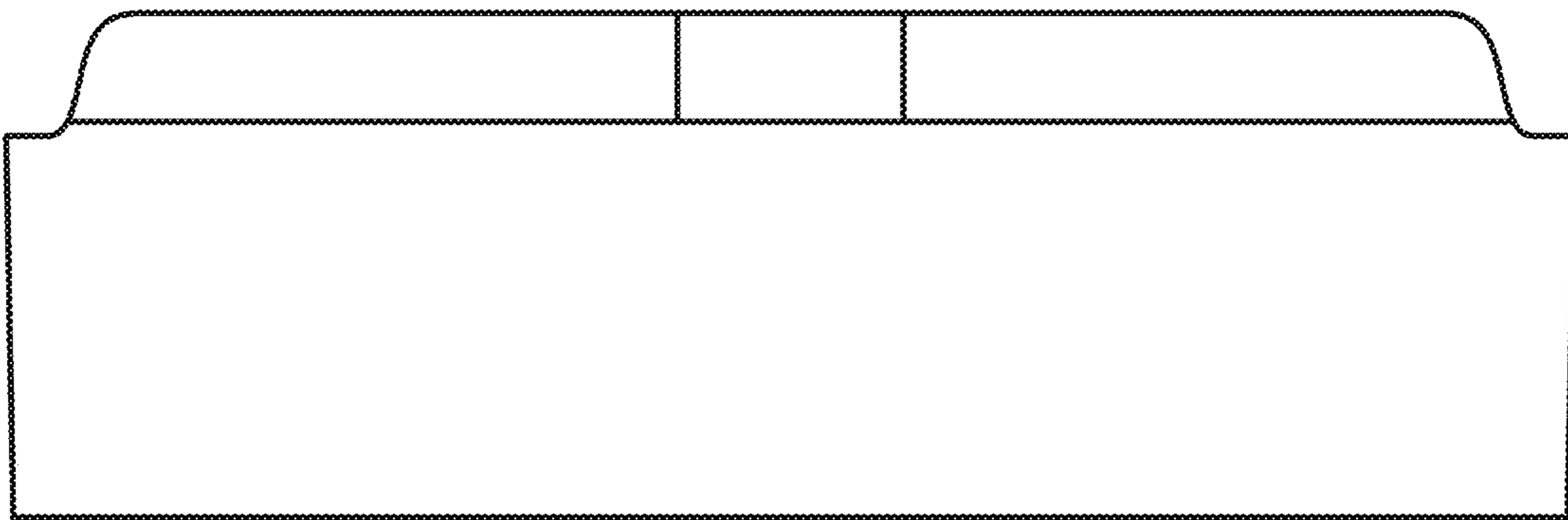


FIG. 5

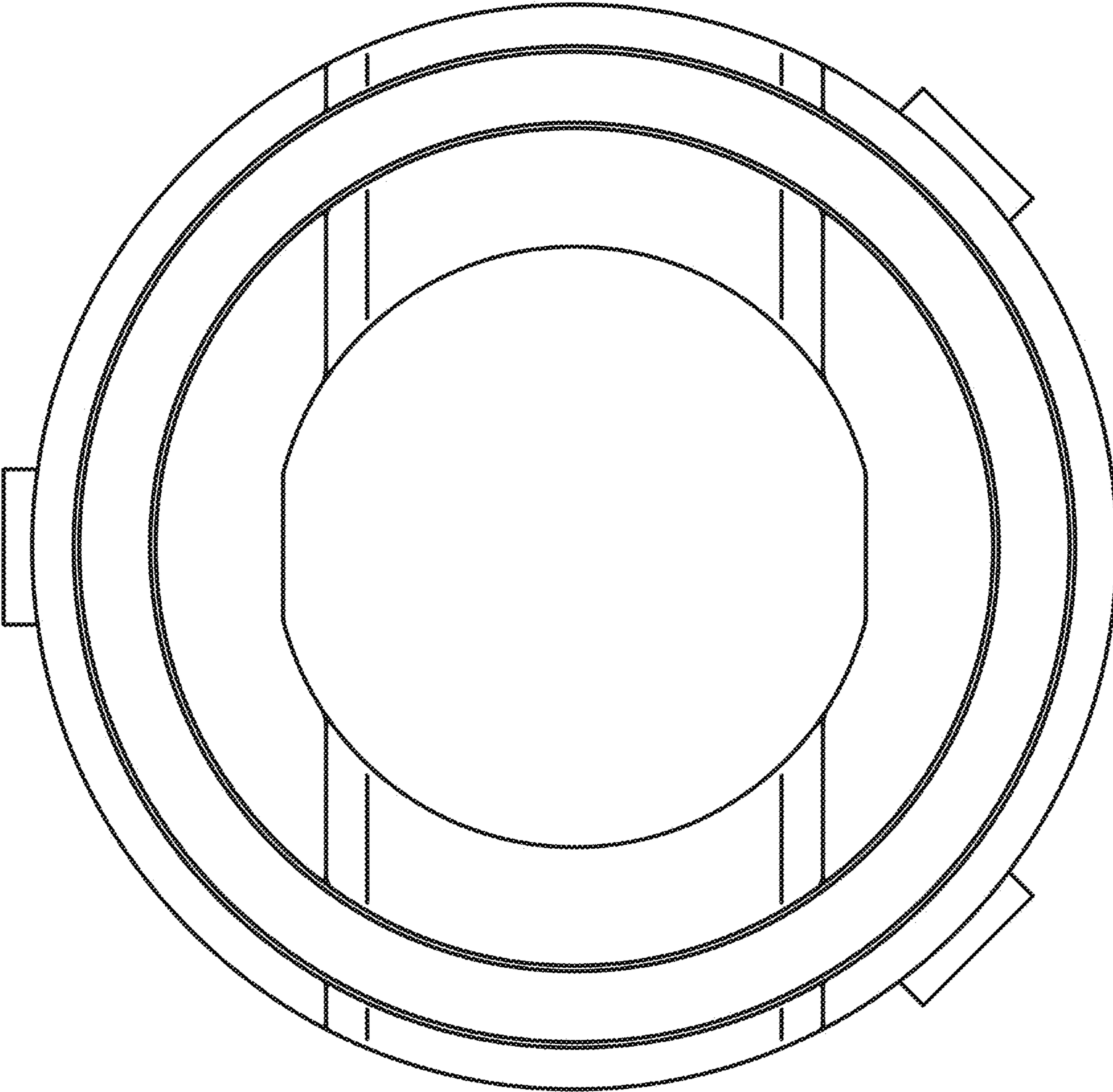


FIG. 6

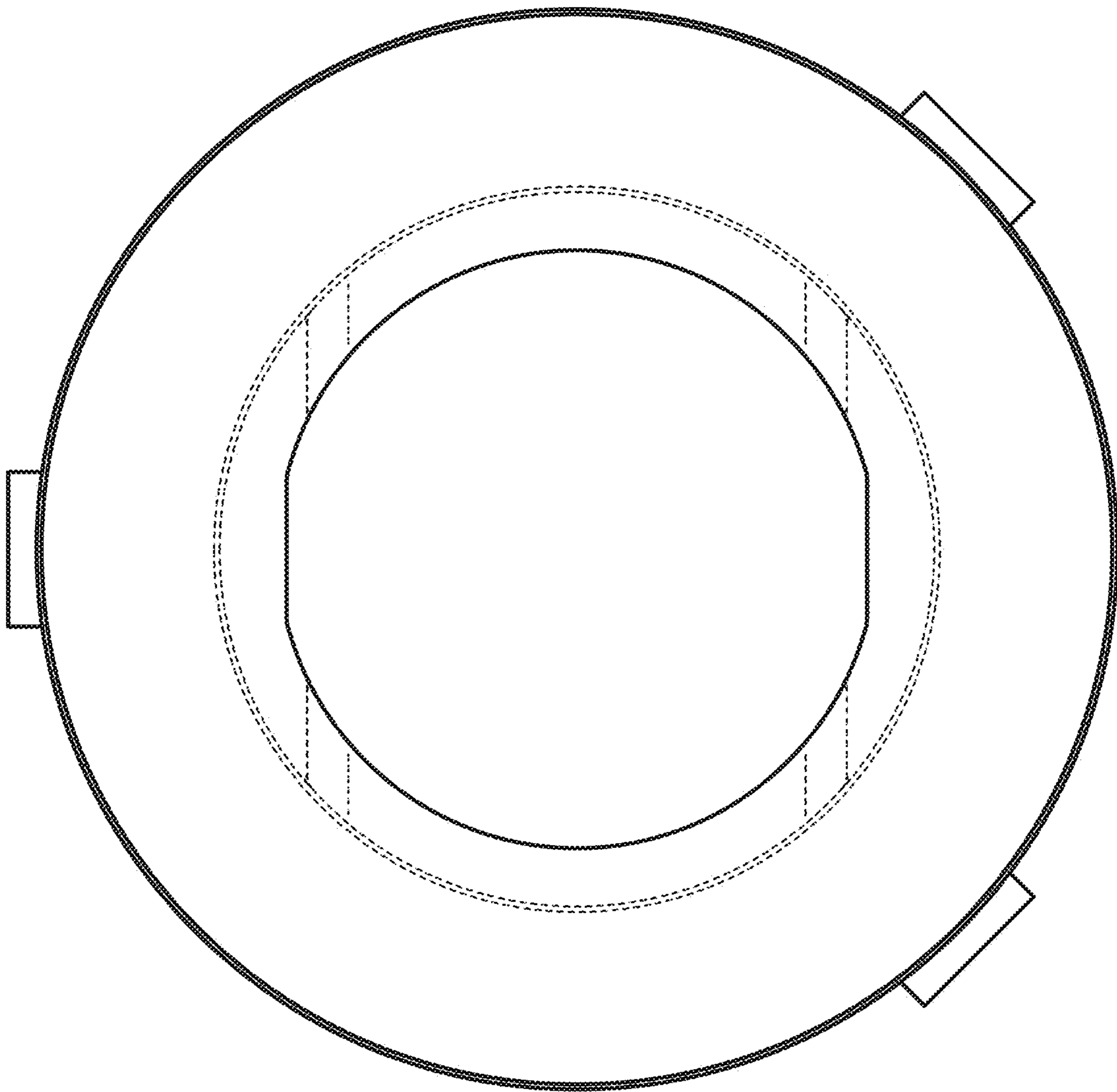


FIG. 7

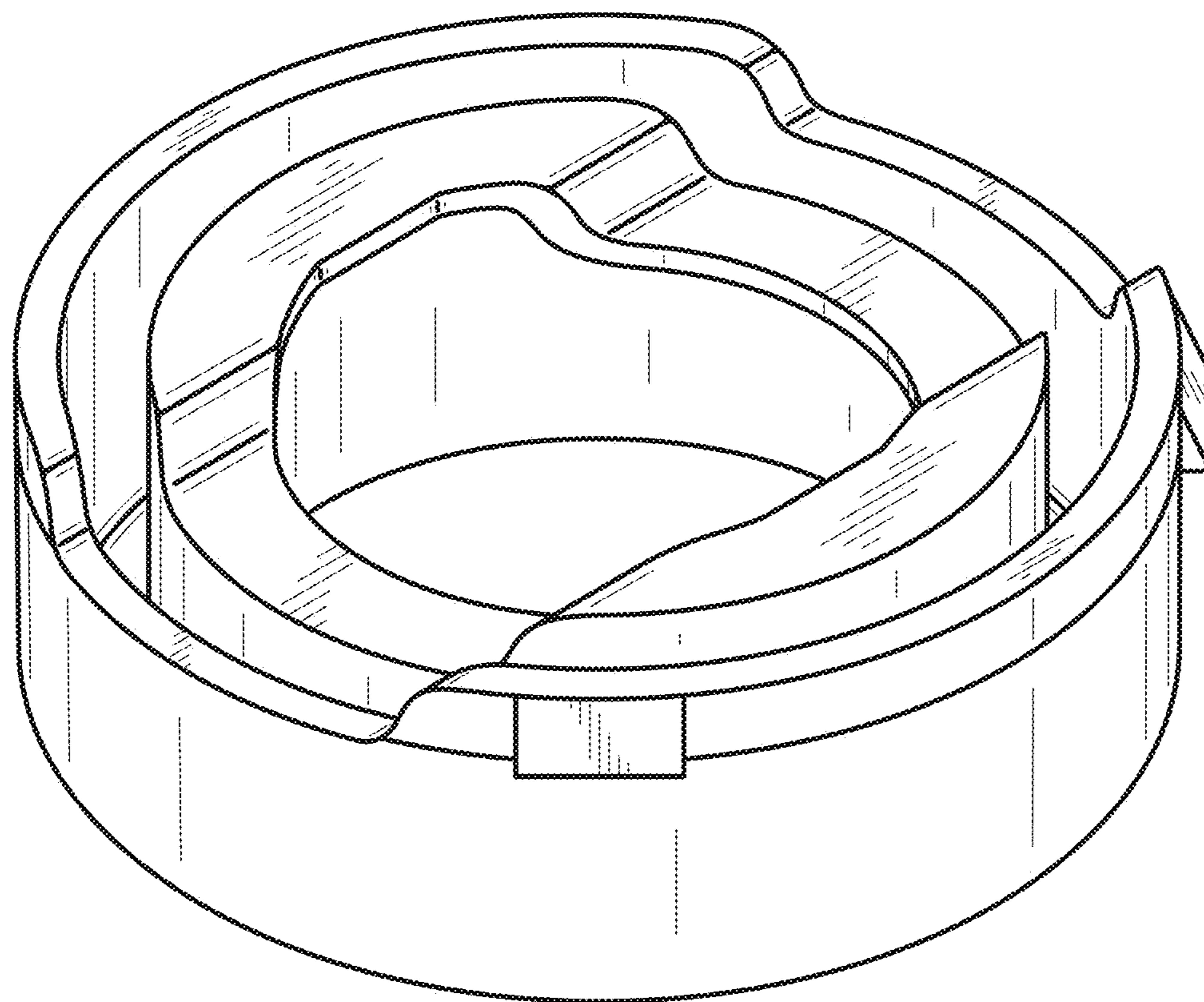


FIG. 8

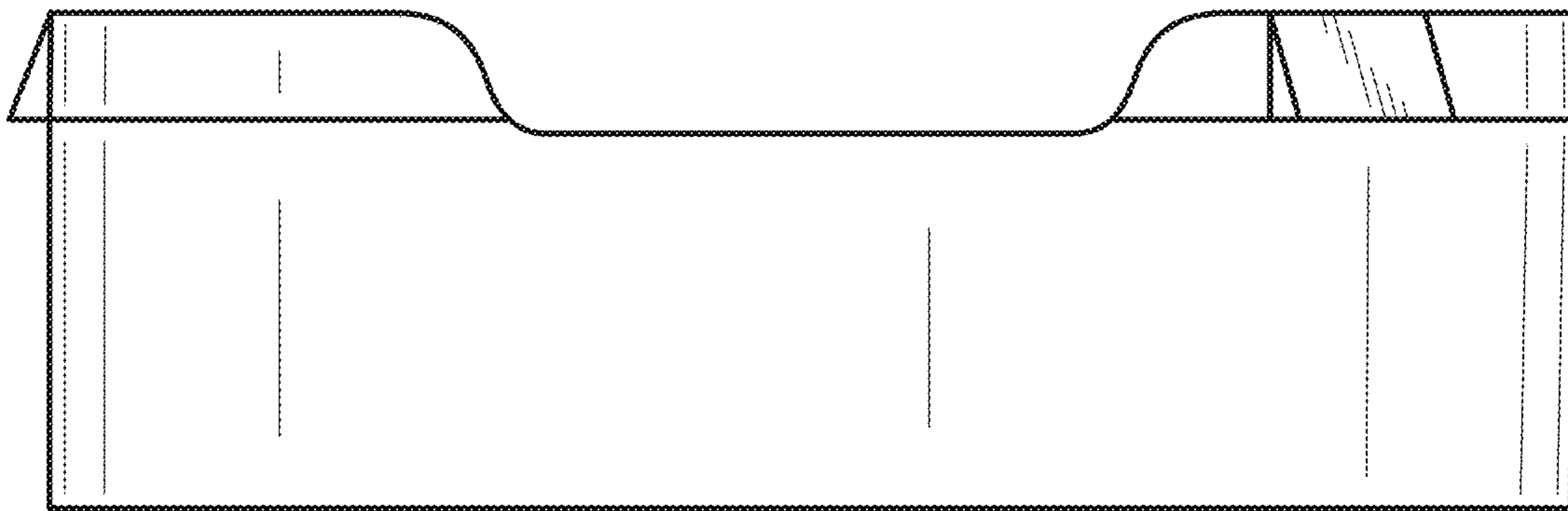


FIG. 9

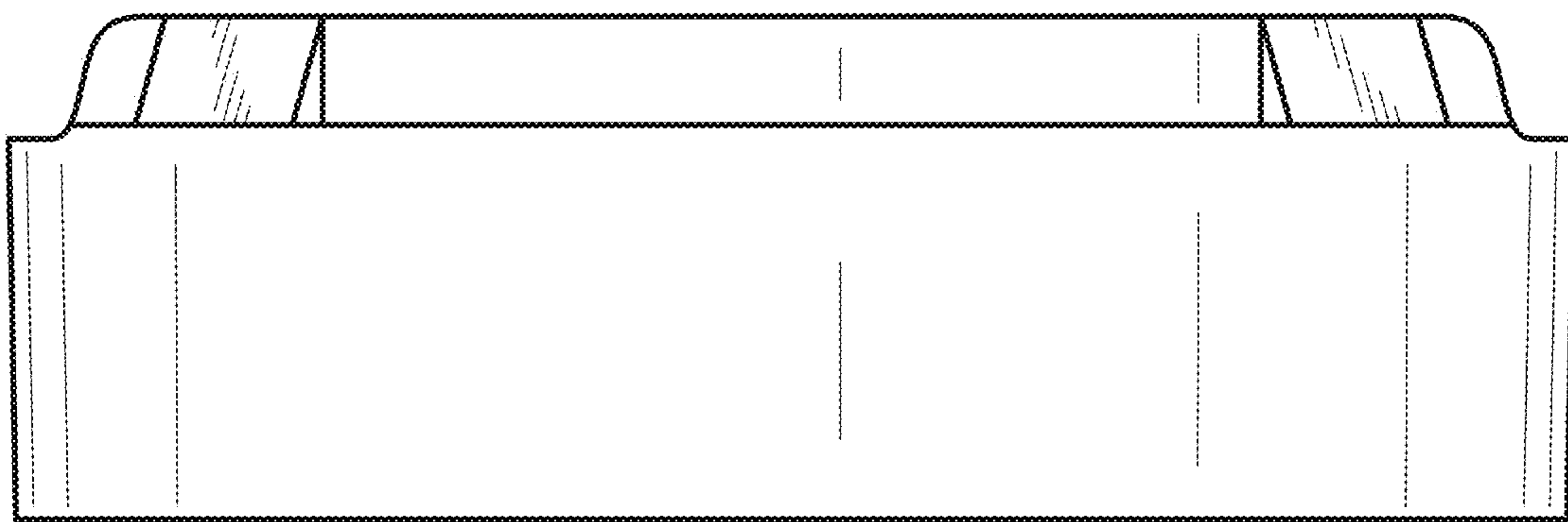


FIG. 10

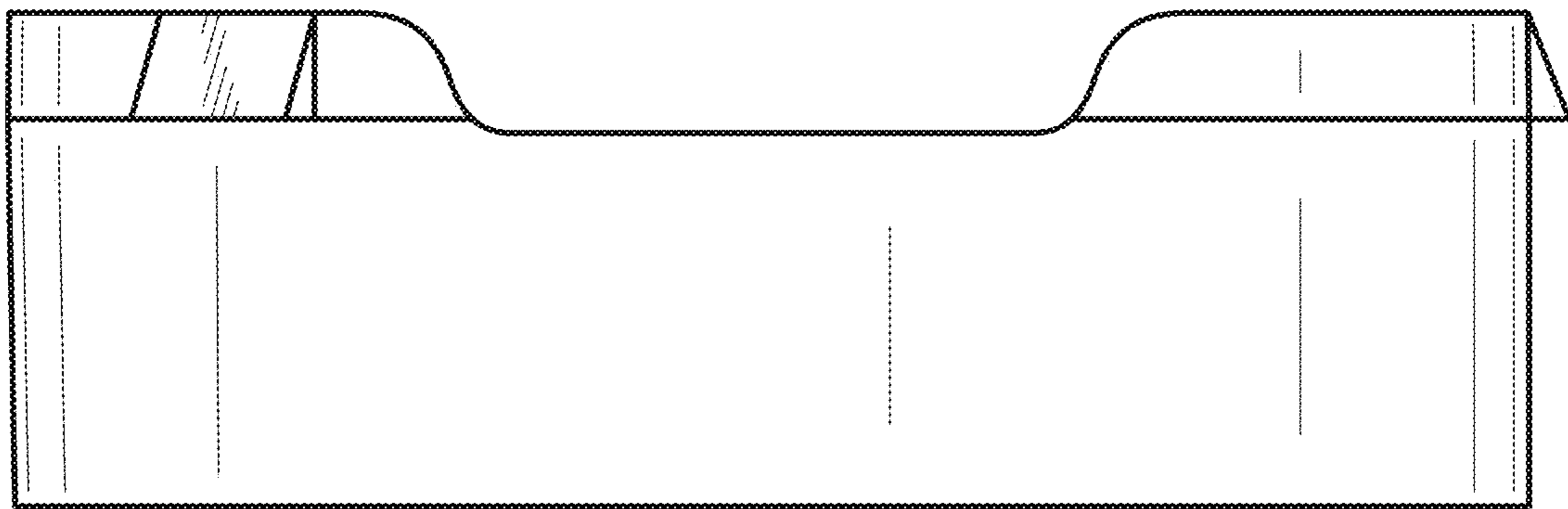


FIG. 11

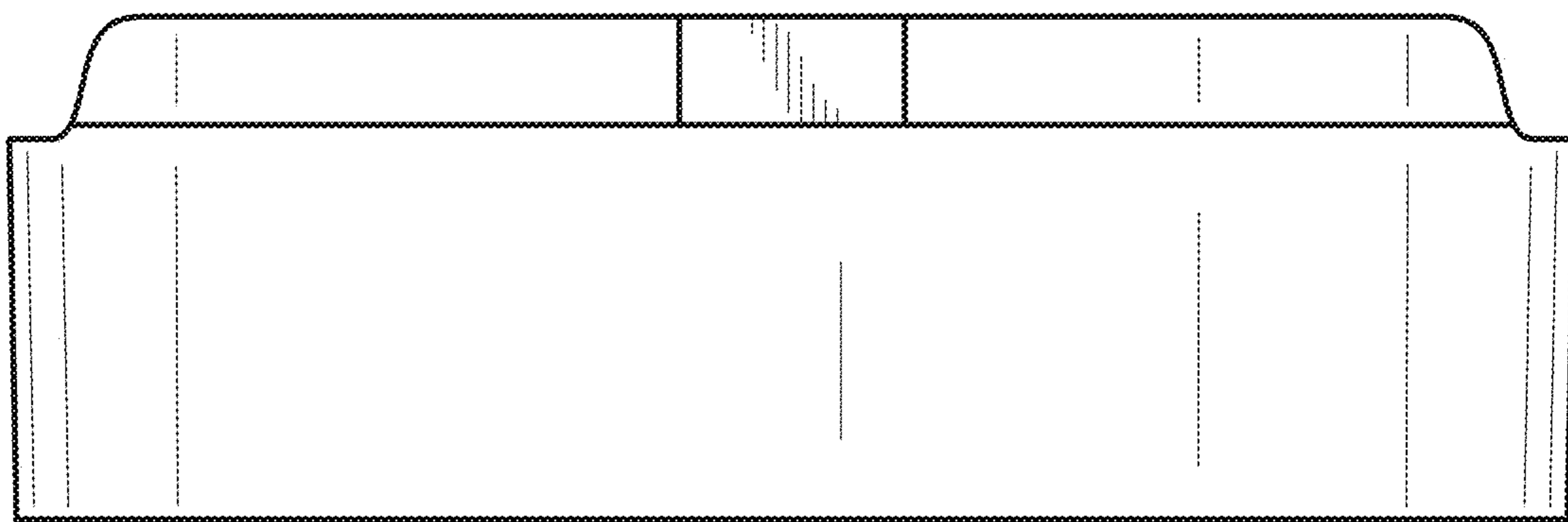


FIG. 12

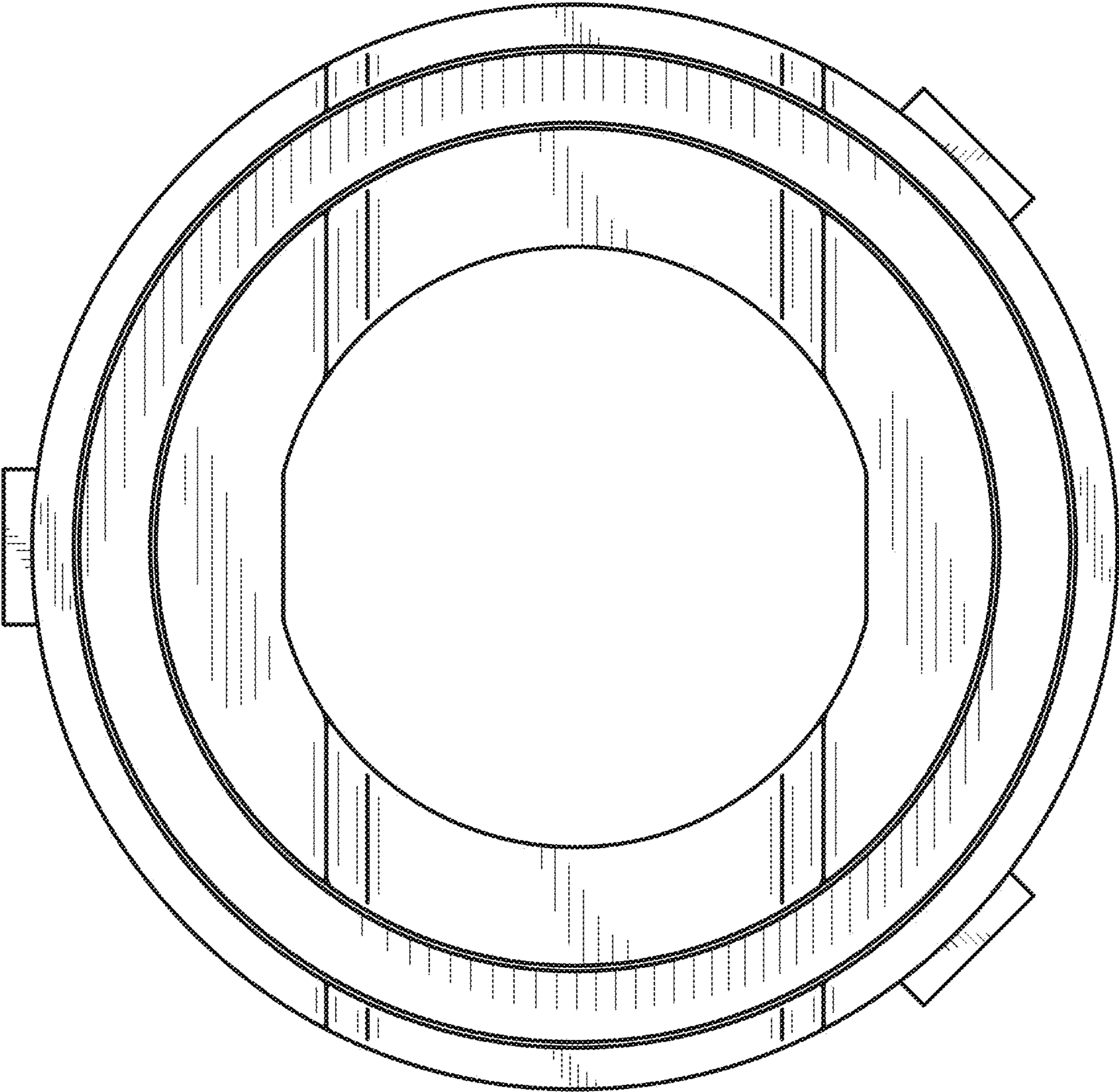


FIG. 13

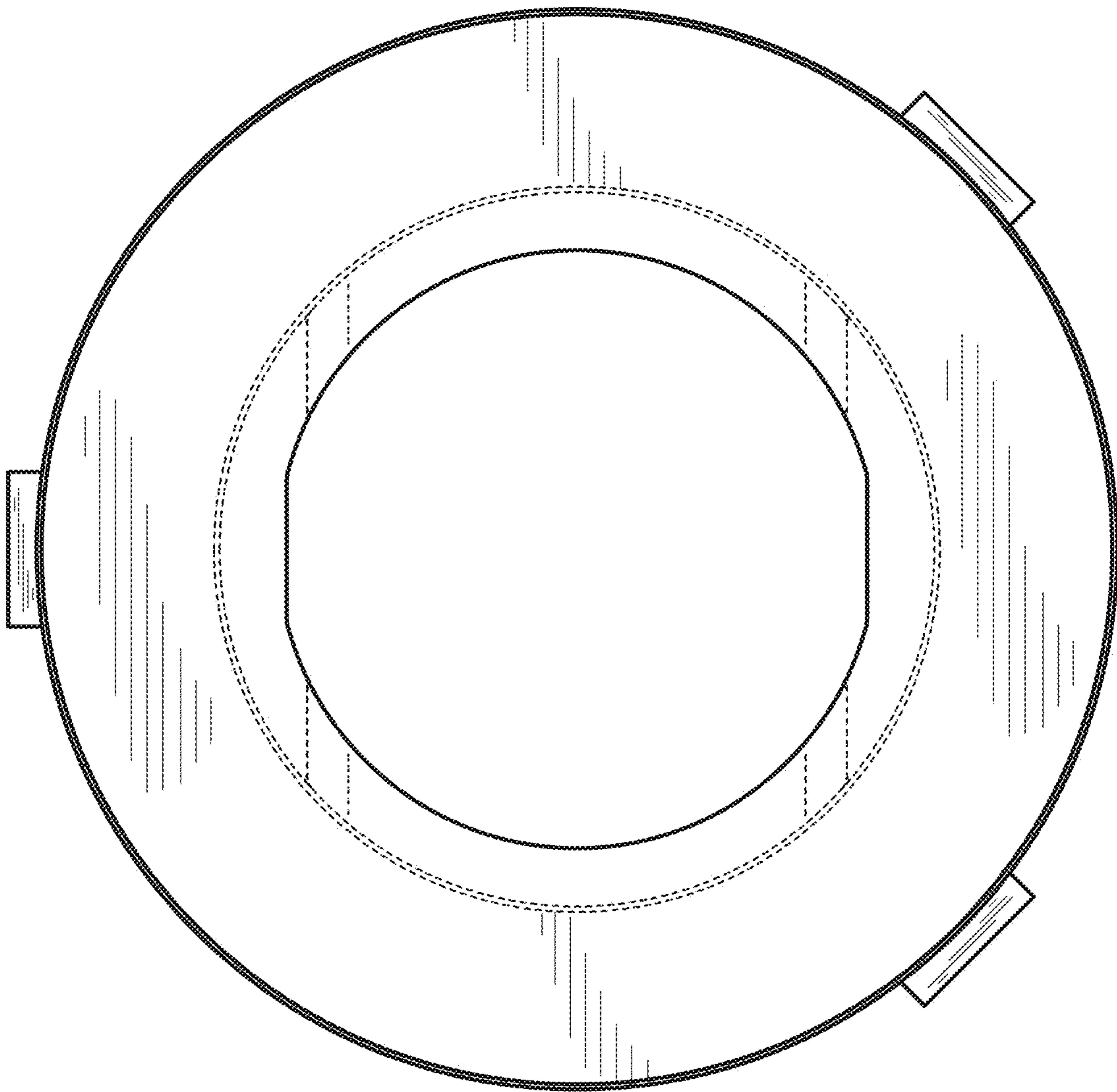


FIG. 14