



US00D916282S

(12) **United States Design Patent**
Pather et al.

(10) **Patent No.:** **US D916,282 S**

(45) **Date of Patent:** **** *Apr. 13, 2021**

(54) **SURGICAL SCREW**

(71) Applicant: **Field Orthopaedics Pty Ltd**, Brisbane (AU)

(72) Inventors: **Shanthan Pather**, Red Hill (AU);
Christopher A. Jeffery, Red Hill (AU)

(*) Notice: This patent is subject to a terminal disclaimer.

(**) Term: **15 Years**

(21) Appl. No.: **29/680,329**

(22) Filed: **Feb. 14, 2019**

(51) **LOC (13) Cl.** **24-02**

(52) **U.S. Cl.**
USPC **D24/145**

(58) **Field of Classification Search**
USPC D24/145-146; D8/387; 606/65, 308
CPC ... A61B 17/86; A61B 17/863; A61B 17/8635;
A61B 17/864

See application file for complete search history.

(56) **References Cited**

U.S. PATENT DOCUMENTS

D562,979 S *	2/2008	Doubler	D24/145
D577,439 S *	9/2008	Doubler	D24/145
7,731,738 B2 *	6/2010	Jackson	A61B 17/8635 606/300
2007/0162028 A1 *	7/2007	Jackson	A61B 17/8635 606/86 A

2007/0250063 A1 *	10/2007	Vlahos	A61B 17/8625 606/86 A
2010/0174323 A1 *	7/2010	Fourcault	A61B 17/863 606/304
2011/0313473 A1 *	12/2011	Prandi	A61B 17/863 606/315
2012/0226325 A1 *	9/2012	Lyons	A61B 17/863 606/305
2019/0151000 A1 *	5/2019	Kane	A61B 17/8635
2019/0321087 A1 *	10/2019	Wapner	A61B 17/863

* cited by examiner

Primary Examiner — Wan Laymon

(74) *Attorney, Agent, or Firm* — Michael Buck IP

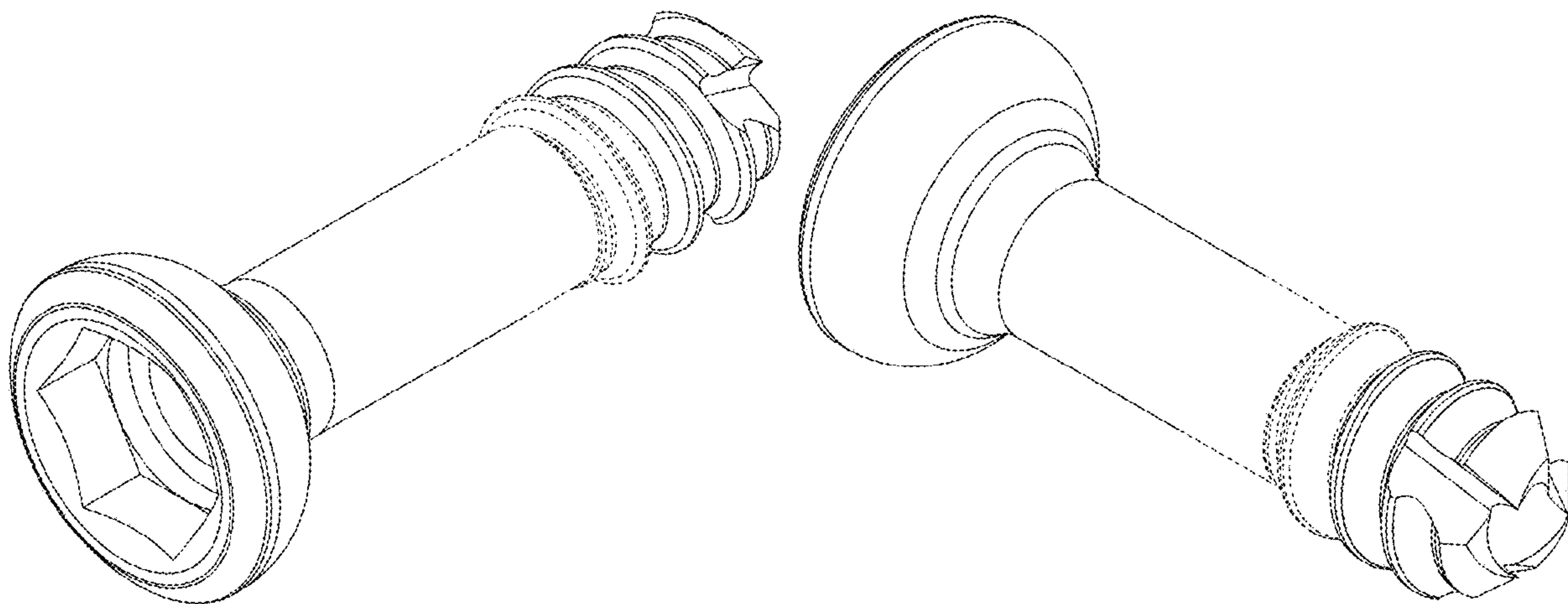
(57) **CLAIM**

The ornamental design for a surgical screw, as shown and described.

DESCRIPTION

FIG. 1 is a first perspective view of the surgical screw. FIG. 2 is a second perspective view of the surgical screw. FIG. 3 is a side elevation of the surgical screw. FIG. 4 is a sectional view of the surgical screw of FIG. 3, taken along line IV-IV. FIG. 5 is a top plan view of the surgical screw; and, FIG. 6 is a bottom plan view of the surgical screw. The broken lines in FIGS. 1-4 depict unclaimed structure of the surgical screw and are illustrative of environment and not intended to form a part of the claimed design.

1 Claim, 3 Drawing Sheets



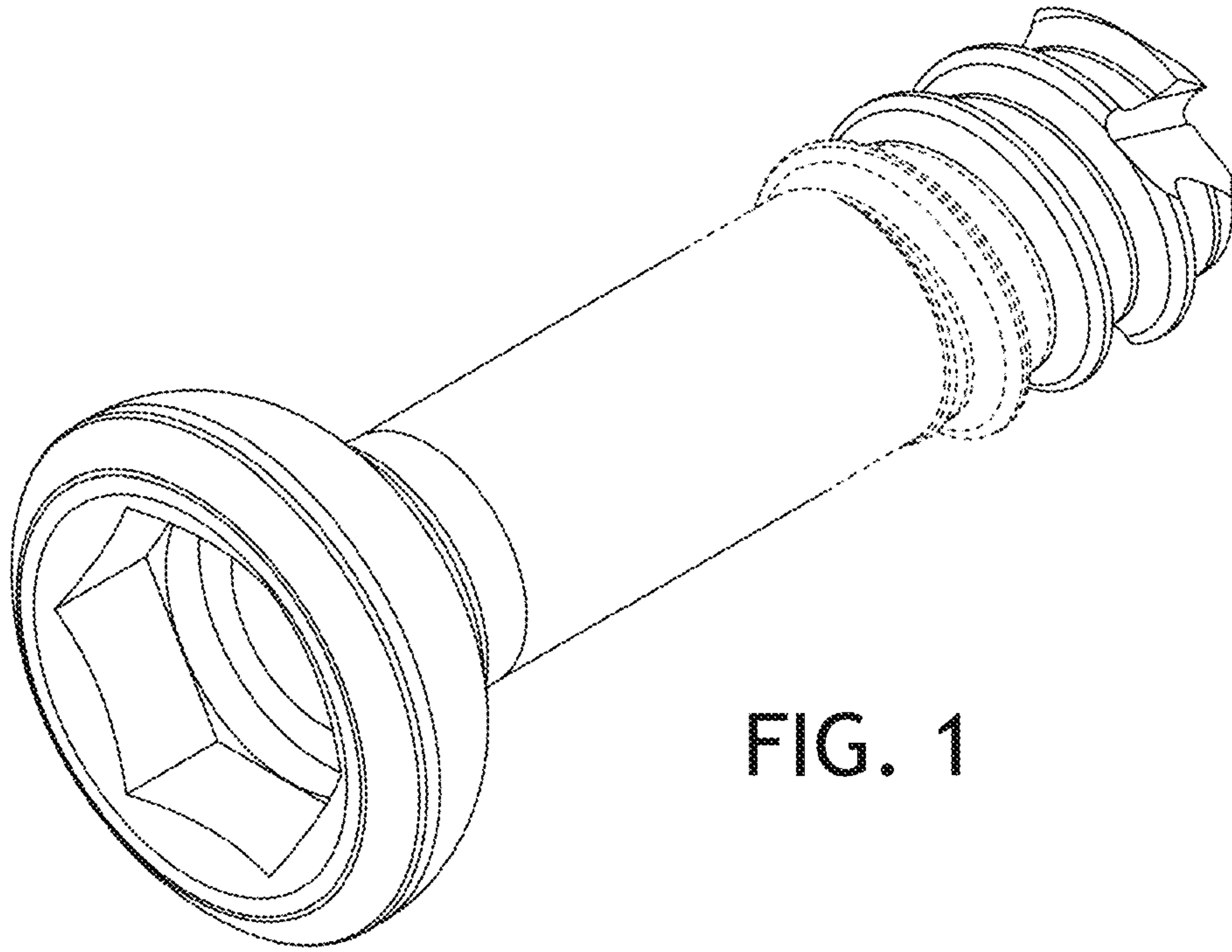


FIG. 1

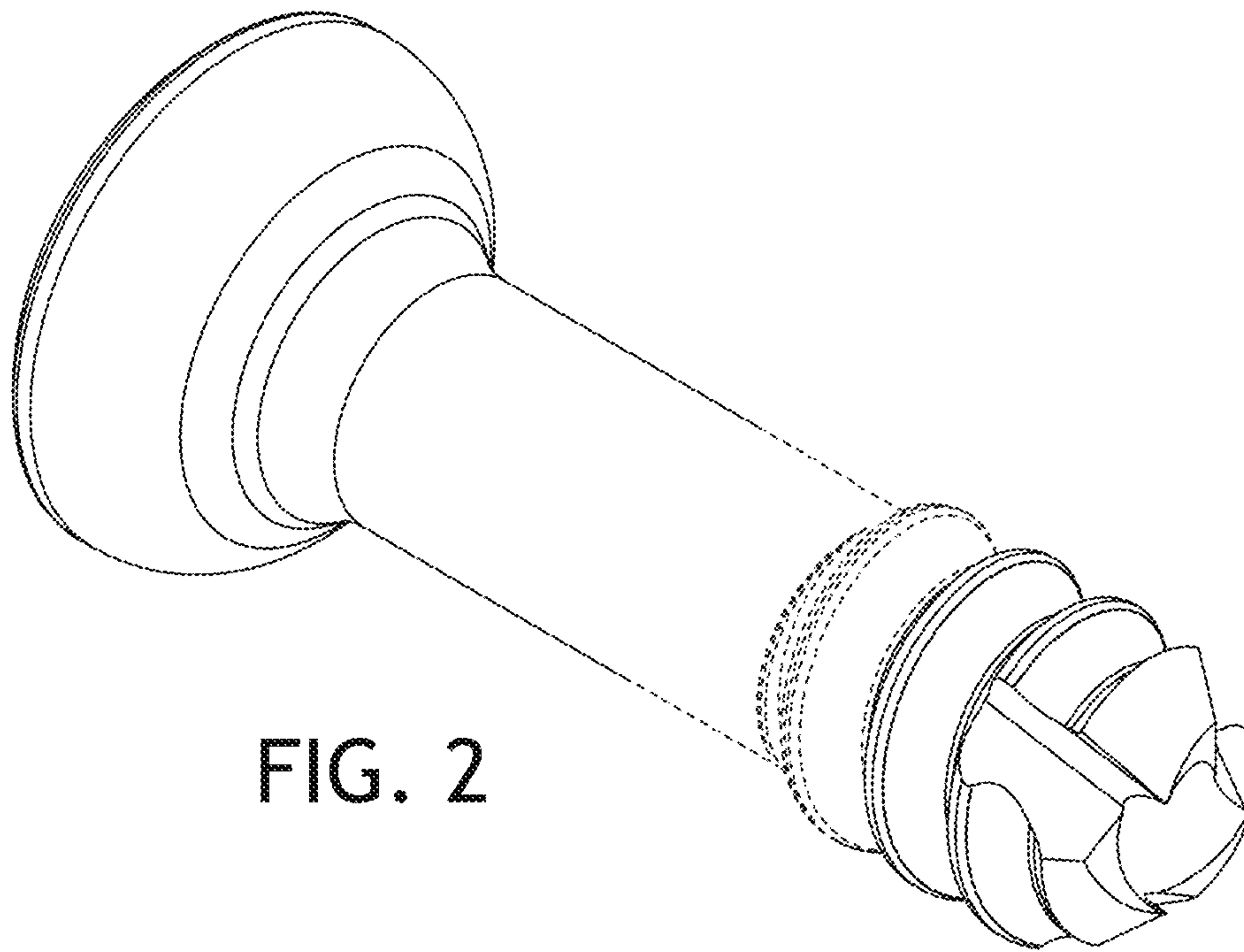


FIG. 2

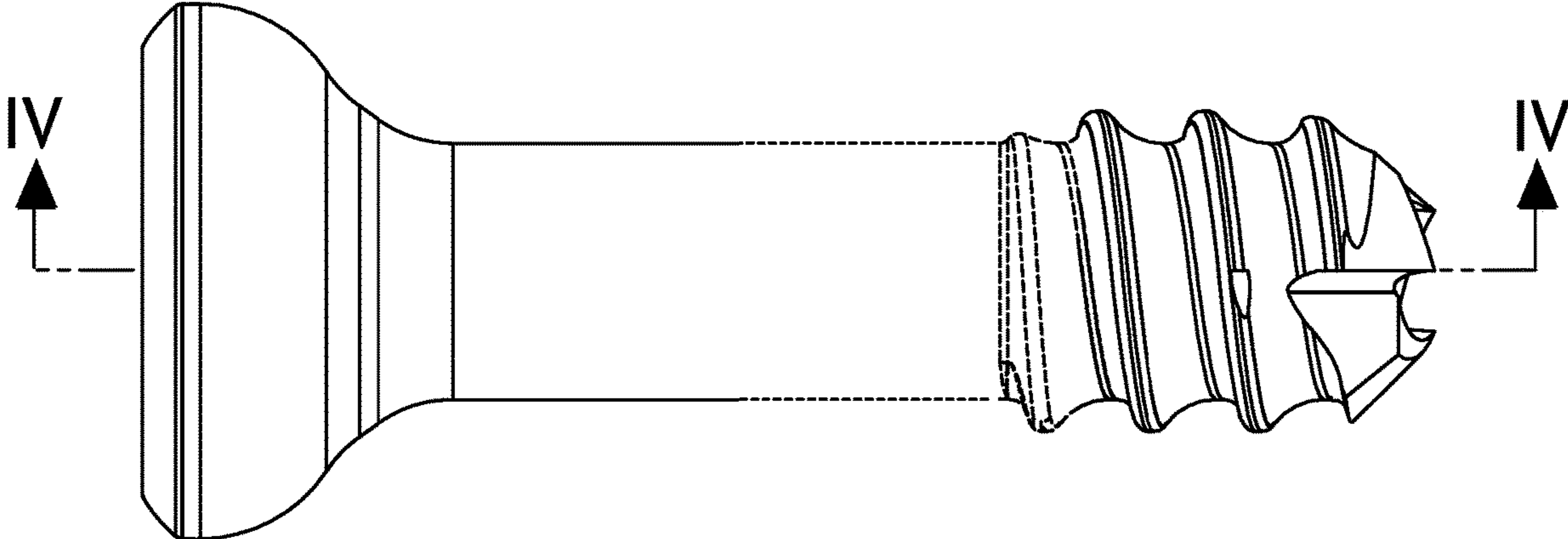


FIG. 3

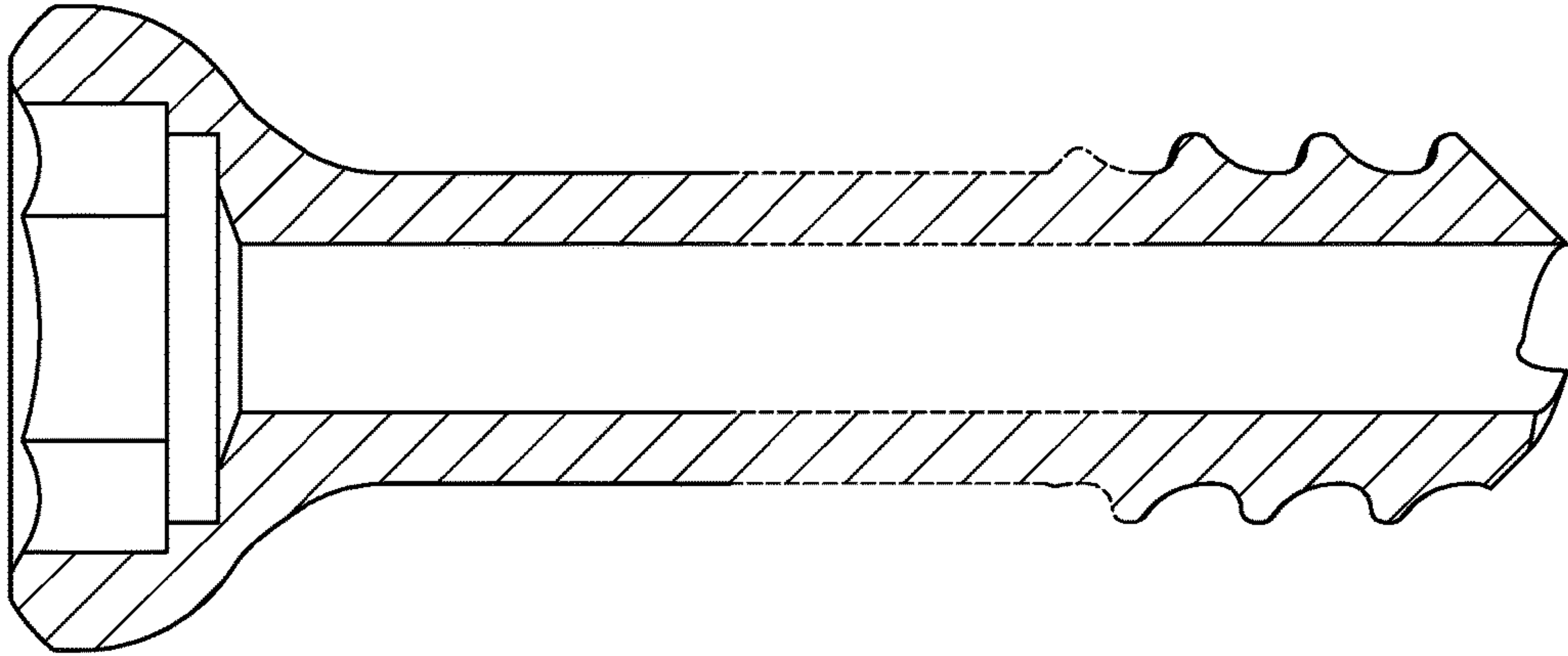


FIG. 4

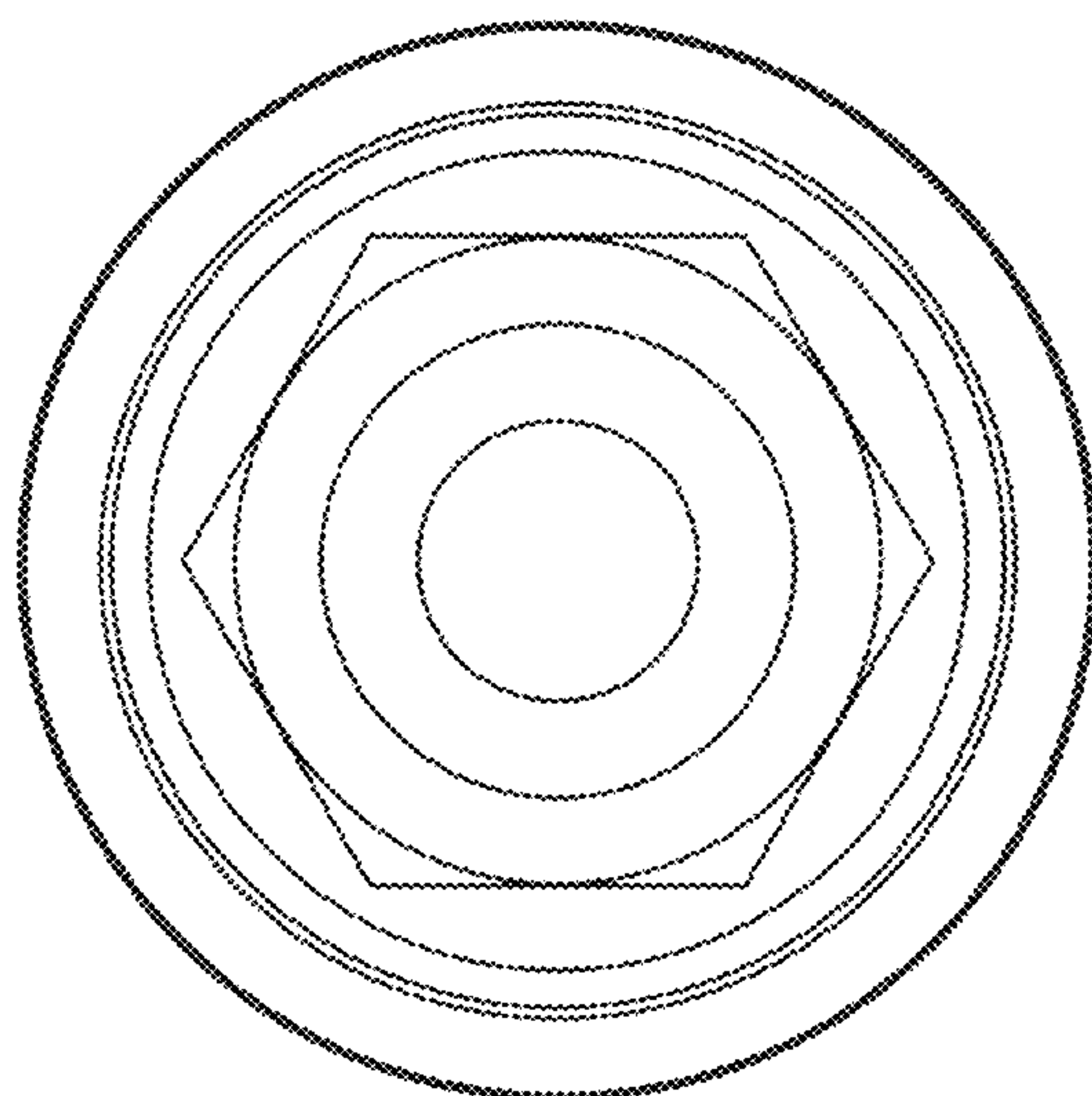


FIG. 5

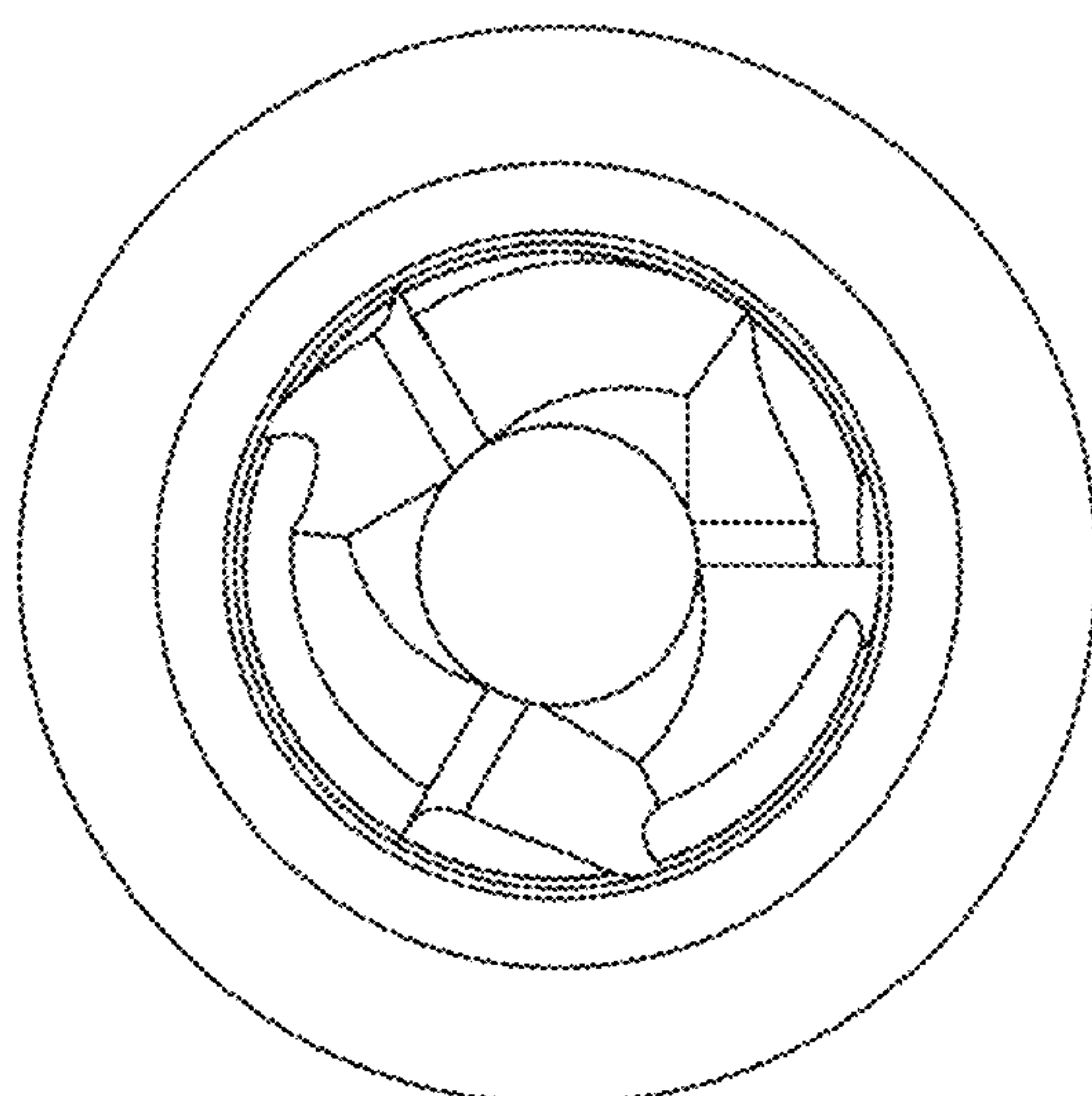


FIG. 6