



US00D916281S

(12) **United States Design Patent** (10) **Patent No.:** **US D916,281 S**
Swift (45) **Date of Patent:** **** Apr. 13, 2021**

(54) REINFORCEMENT ARMS AND COLLAR FOR A CANNULA TIP	D279,608 S *	7/1985	Carey	D25/126
	4,564,408 A	1/1986	Crumbach et al.	
	4,611,594 A	9/1986	Grayhack et al.	
	4,921,478 A	5/1990	Solano et al.	
(71) Applicant: ANGIODYNAMICS, INC. , Latham, NY (US)	4,936,823 A *	6/1990	Colvin	A61F 2/01 600/7
	5,011,488 A	4/1991	Ginsburg	
(72) Inventor: Kevin Swift , Brighton, MA (US)	5,158,533 A	10/1992	Strauss et al.	
	5,188,618 A	2/1993	Thomas	
(73) Assignee: ANGIODYNAMICS, INC. , Latham, NY (US)	5,707,359 A *	1/1998	Bufalini	A61B 17/3421 604/104
	5,707,362 A *	1/1998	Yoon	A61B 17/3417 604/164.03
(**) Term: 15 Years	5,713,853 A *	2/1998	Clark	A61M 25/007 604/104
(21) Appl. No.: 29/703,049	5,908,435 A	6/1999	Samuels	
	5,925,032 A	7/1999	Clements	
(22) Filed: Aug. 23, 2019	D414,273 S	9/1999	Smith et al.	

(Continued)

Related U.S. Application Data

(63) Continuation-in-part of application No. 15/295,529, filed on Oct. 17, 2016, now abandoned.

(51) **LOC (13) Cl.** **24-02**

(52) **U.S. Cl.**
USPC **D24/130**

(58) **Field of Classification Search**
USPC D24/112-114, 108, 130, 127, 133, 186; 606/181, 185; 604/264, 523-528, 272, 604/164.01-164.11, 187, 93.01; 600/101, 600/139, 143; 128/200.24, 207.14, 128/207.15
CPC A61F 2/013; A61F 2/01; A61F 2/958; A61M 1/0056; A61M 1/0058; A61M 1/0039; A61M 25/00; A61M 39/00; A61M 27/00; A61M 25/0043; A61M 25/0067; A61M 25/0097
See application file for complete search history.

FOREIGN PATENT DOCUMENTS

WO 9945835 A2 9/1999

Primary Examiner — David G Muller

(74) *Attorney, Agent, or Firm* — Heslin Rothenberg Farley & Mesiti P.C.

(57) **CLAIM**

The ornamental design for reinforcement arms and collar for a cannula tip, as shown and described.

DESCRIPTION

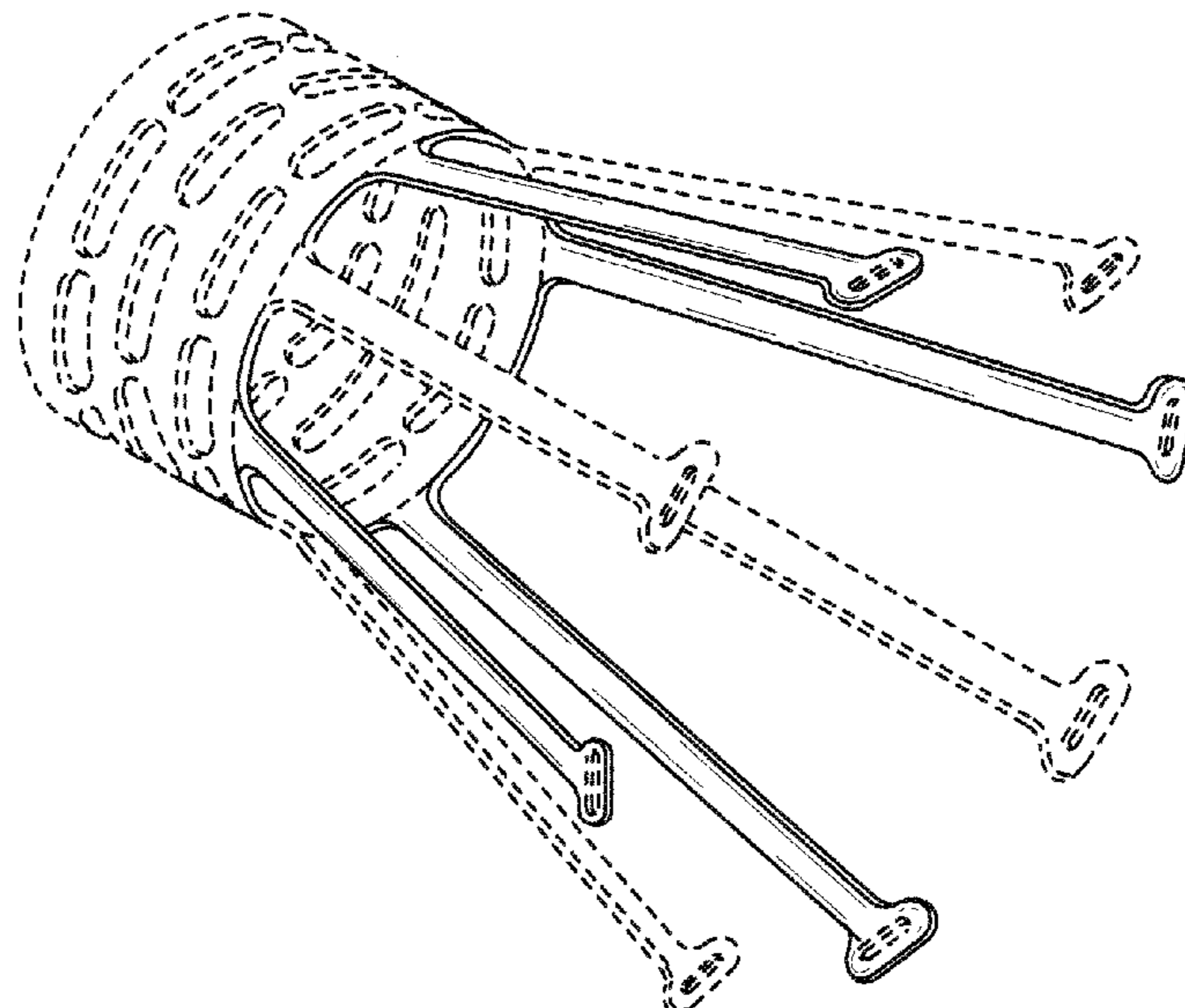
FIG. 1 is a perspective view of reinforcement arms and collar for a cannula tip comprising the new design; FIG. 2 is a side view thereof; FIG. 3 is a top view thereof; and, FIG. 4 is a bottom view thereof. The broken line showing is included for the purpose of illustrating portions of the article and forms no part of the claimed design.

1 Claim, 4 Drawing Sheets

(56) **References Cited**

U.S. PATENT DOCUMENTS

3,690,323 A 9/1972 Wortman et al.
3,831,587 A 8/1974 Boyd



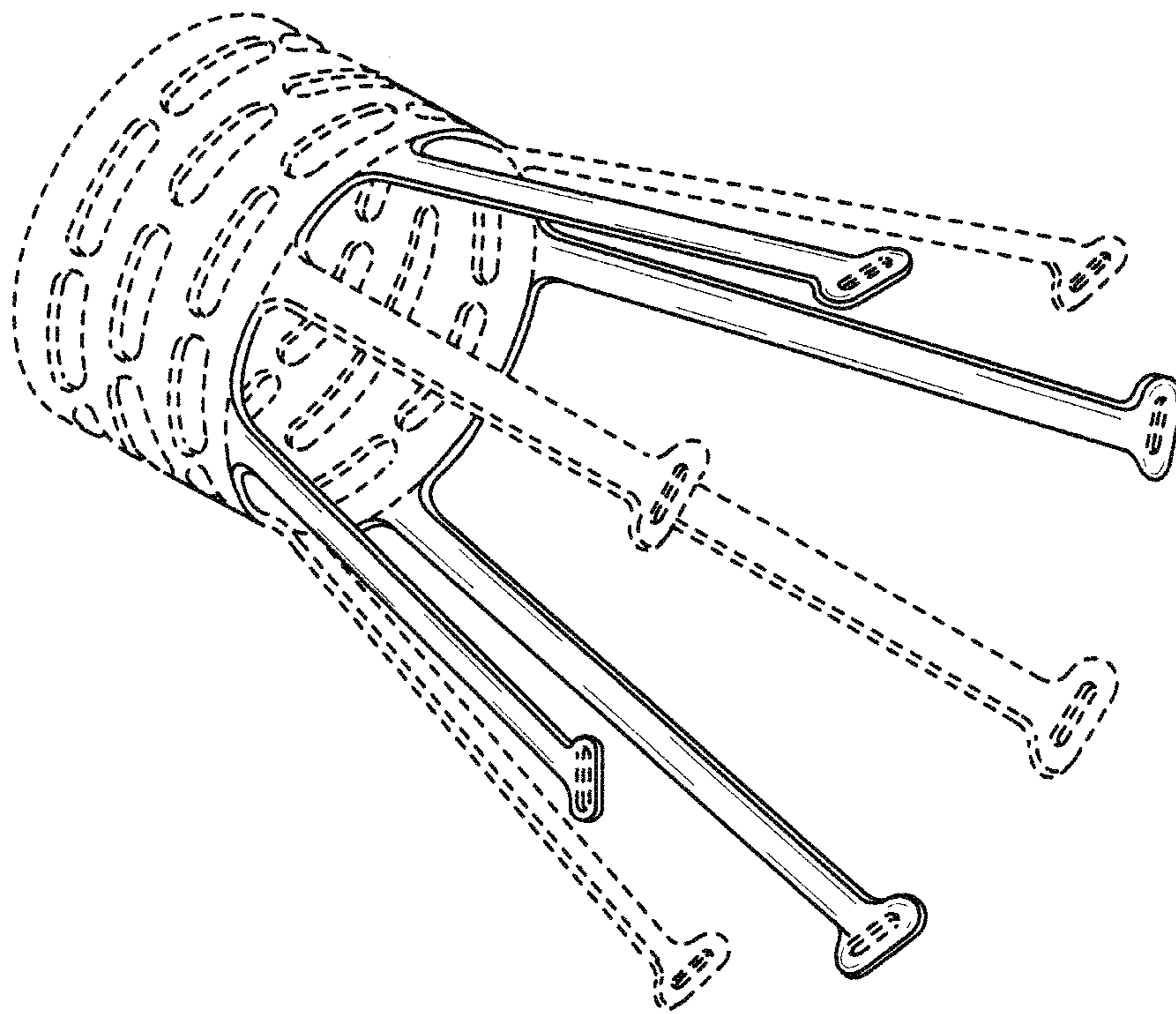


FIG. 1

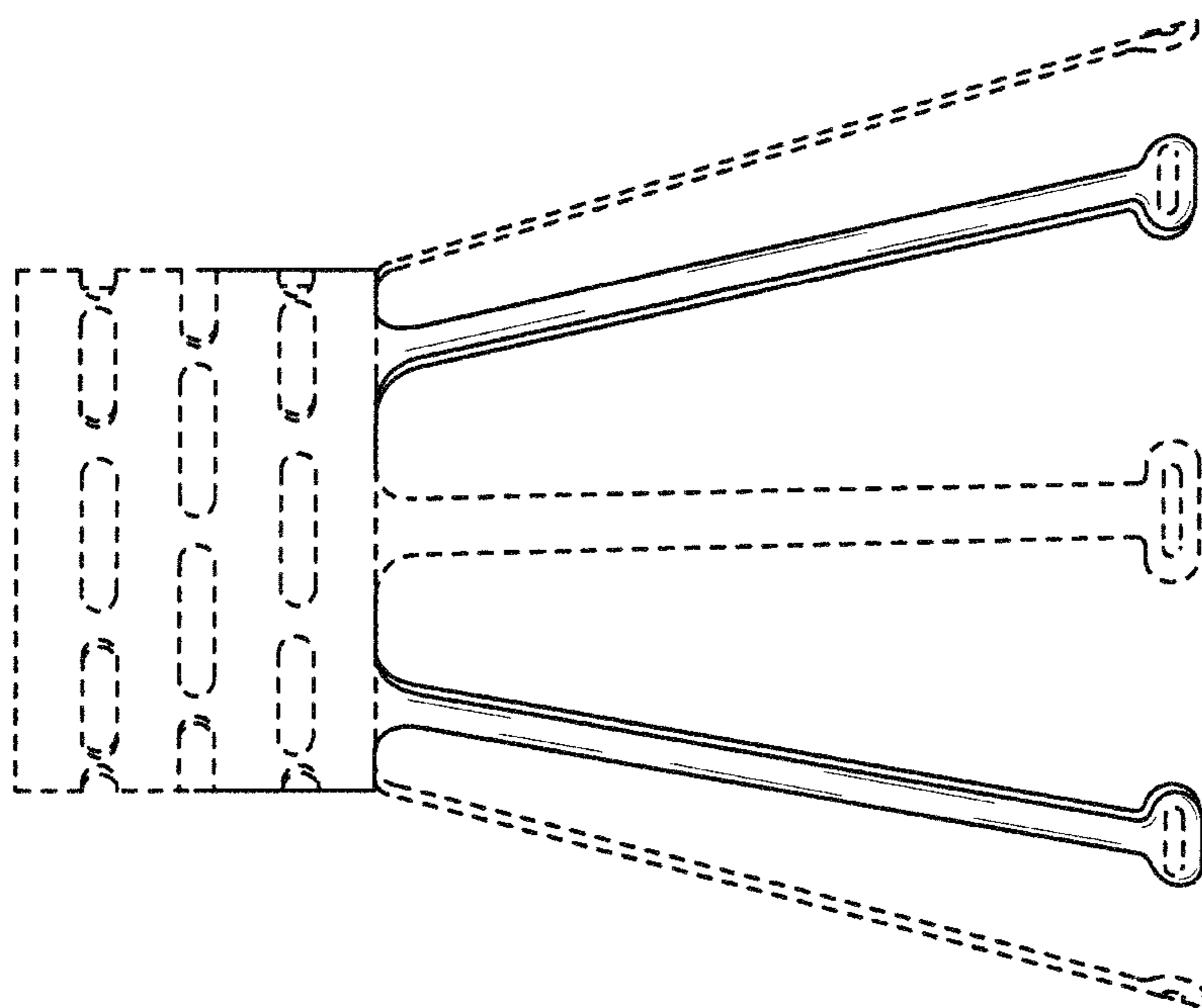


FIG. 2

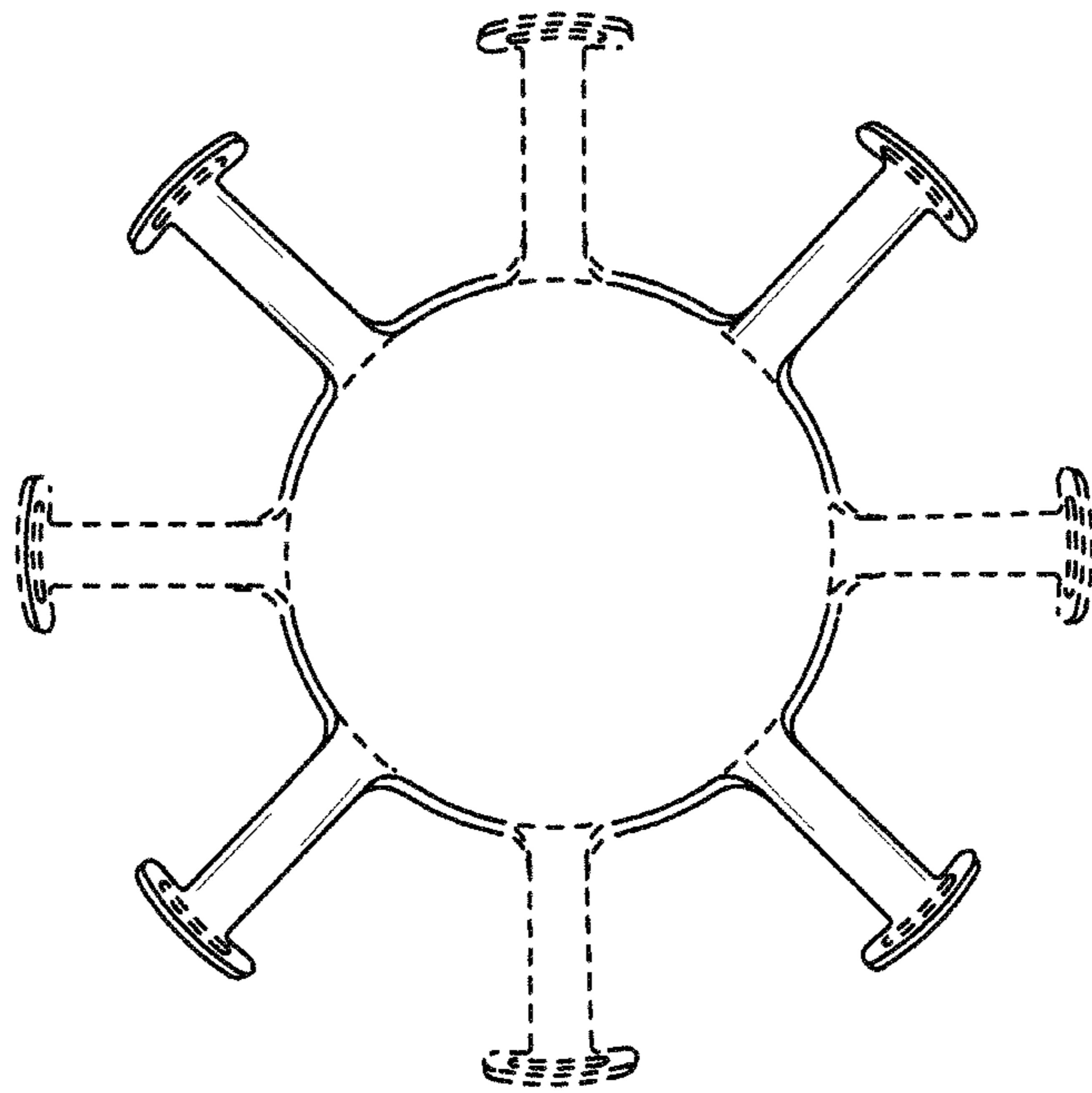


FIG. 3

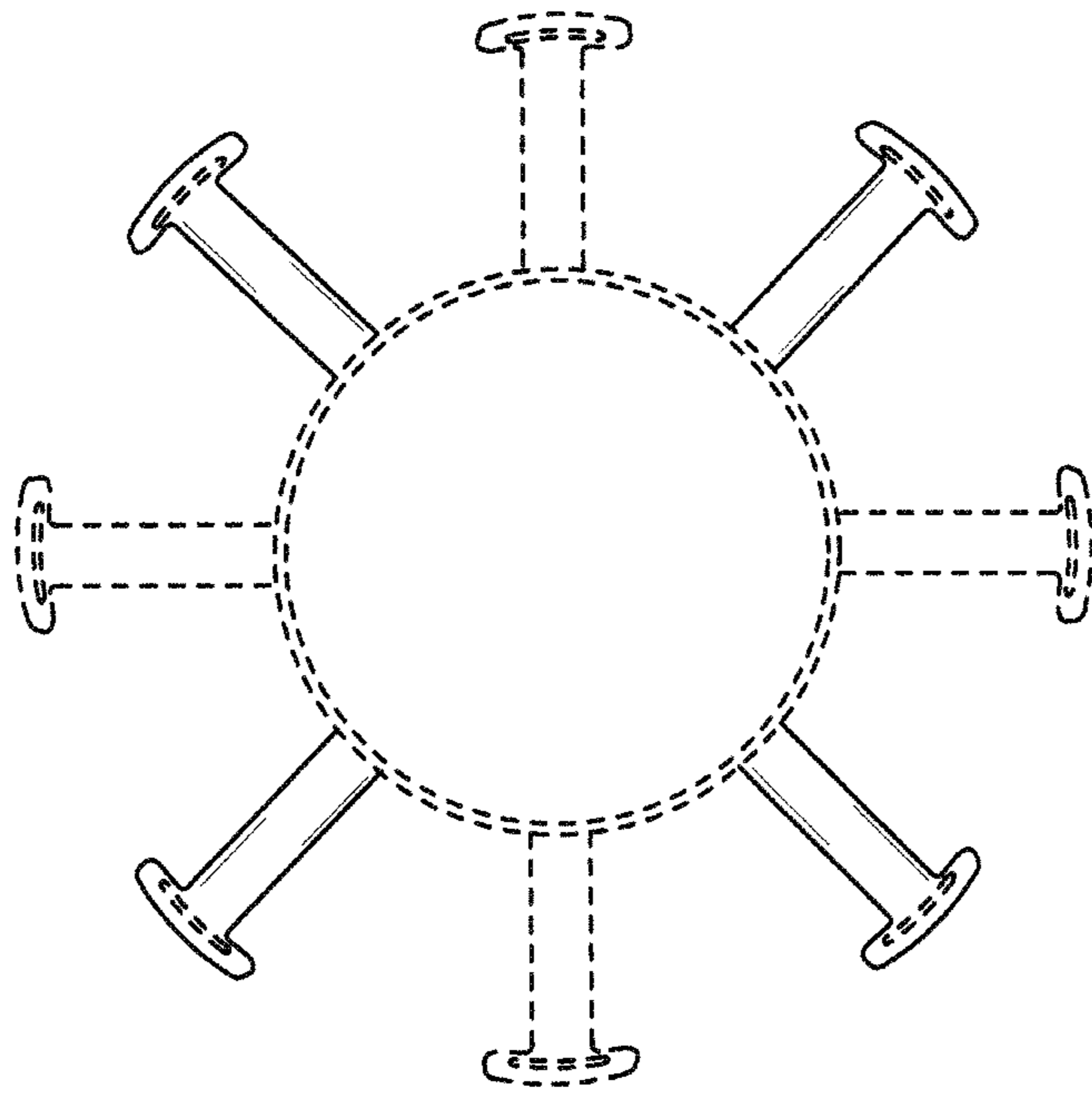


FIG. 4