

US00D916280S

(12) **United States Design Patent** (10) **Patent No.:** **US D916,280 S**
Swift (45) **Date of Patent:** **** Apr. 13, 2021**

(54) **REINFORCEMENT ARMS AND COLLAR FOR A CANNULA TIP**

D279,608 S *	7/1985	Carey	D25/126
4,564,408 A	1/1986	Crumbach et al.	
4,611,594 A	9/1986	Grayhack et al.	
4,921,478 A	5/1990	Solano et al.	
4,936,823 A *	6/1990	Colvin	A61F 2/01 600/7
5,011,488 A	4/1991	Ginsburg	
5,158,533 A	10/1992	Strauss et al.	
5,188,618 A	2/1993	Thomas	
5,707,359 A *	1/1998	Bufalini	A61B 17/3421 604/104

(71) Applicant: **ANGIODYNAMICS, INC.**, Latham, NY (US)

(72) Inventor: **Kevin Swift**, Brighton, MA (US)

(73) Assignee: **ANGIODYNAMICS, INC.**, Latham, NY (US)

(Continued)

(**) Term: **15 Years**

FOREIGN PATENT DOCUMENTS

(21) Appl. No.: **29/703,048**

WO 9945835 A2 9/1999

(22) Filed: **Aug. 23, 2019**

Primary Examiner — David G Muller

Related U.S. Application Data

(74) *Attorney, Agent, or Firm* — Heslin Rothenberg Farley & Mesiti P.C.

(63) Continuation of application No. 15/295,529, filed on Oct. 17, 2016, now abandoned.

(51) **LOC (13) Cl.** **24-02**

(52) **U.S. Cl.**
USPC **D24/130**

(58) **Field of Classification Search**
USPC D24/112-114, 108, 130, 127, 133, 186;
606/181, 185; 604/264, 523-528, 272,
604/164.01-164.11, 187, 93.01; 600/101,
600/139, 143; 128/200.24, 207.14,
128/207.15
CPC A61F 2/013; A61F 2/01; A61F 2/958;
A61M 1/0056; A61M 1/0058; A61M
1/0039; A61M 25/00; A61M 39/00;
A61M 27/00; A61M 25/0043; A61M
25/0067; A61M 25/0097

See application file for complete search history.

(57) **CLAIM**

The ornamental design for a reinforcement arms and collar for a cannula tip, as shown and described.

DESCRIPTION

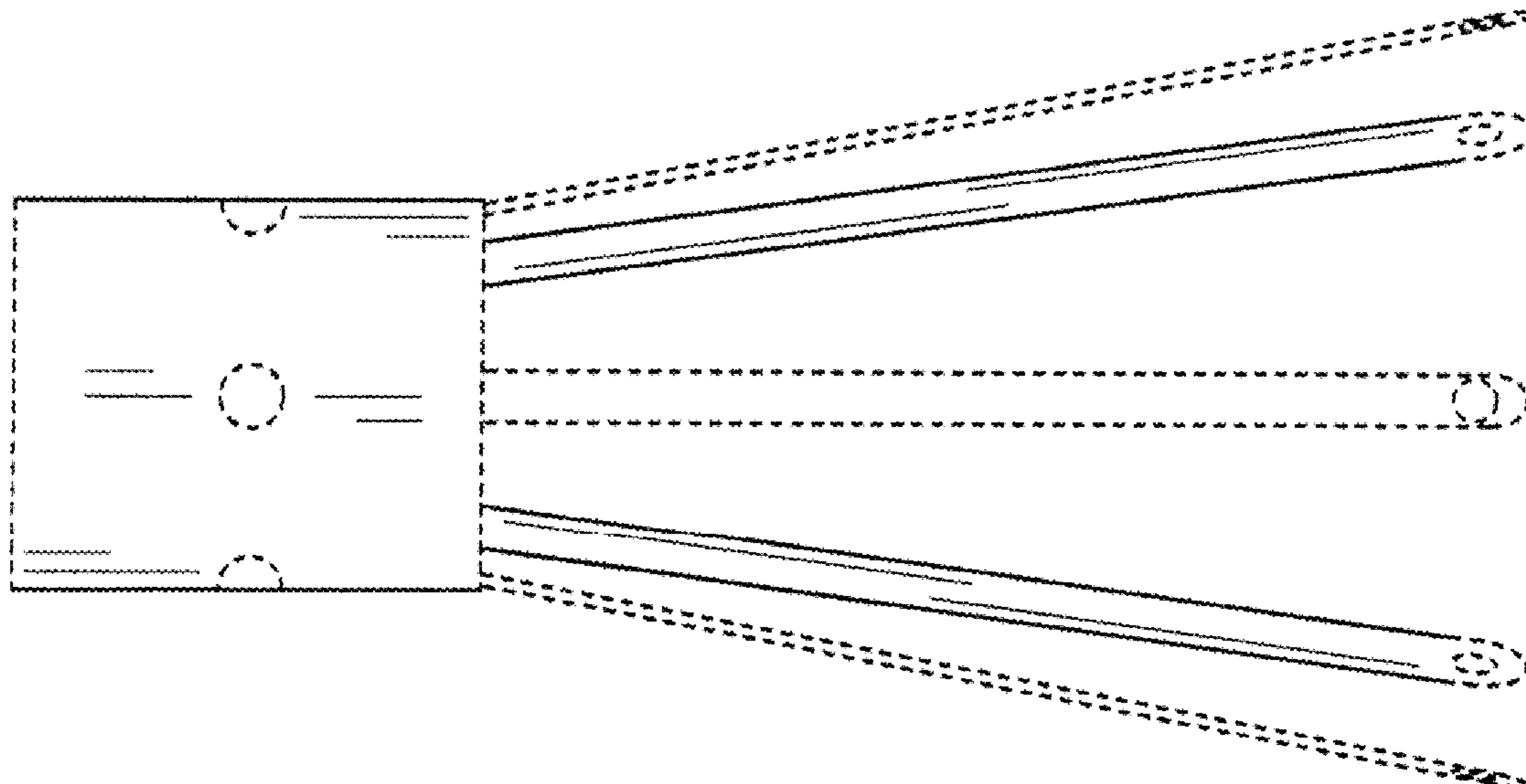
FIG. 1 is a side view of reinforcement arms and collar for a cannula tip comprising the new design;
FIG. 2 is a partial isometric view of a multiple suction cancan device including the reinforcement arms and collar for a cannula tip of FIG. 1;
FIG. 3 is a side view of the multiple suction cancan device of FIG. 2 including the reinforcement arms and collar for a cannula tip of FIG. 1; and,
FIG. 4 is a front-end view of the multiple suction cancan device of FIG. 2 including the reinforcement arms and collar for a cannula tip of FIG. 1.
The broken line showing is included for the purpose of illustrating portions of the article and forms no part of the claimed design.

(56) **References Cited**

U.S. PATENT DOCUMENTS

3,690,323 A	9/1972	Wortman et al.
3,831,587 A	8/1974	Boyd

1 Claim, 4 Drawing Sheets



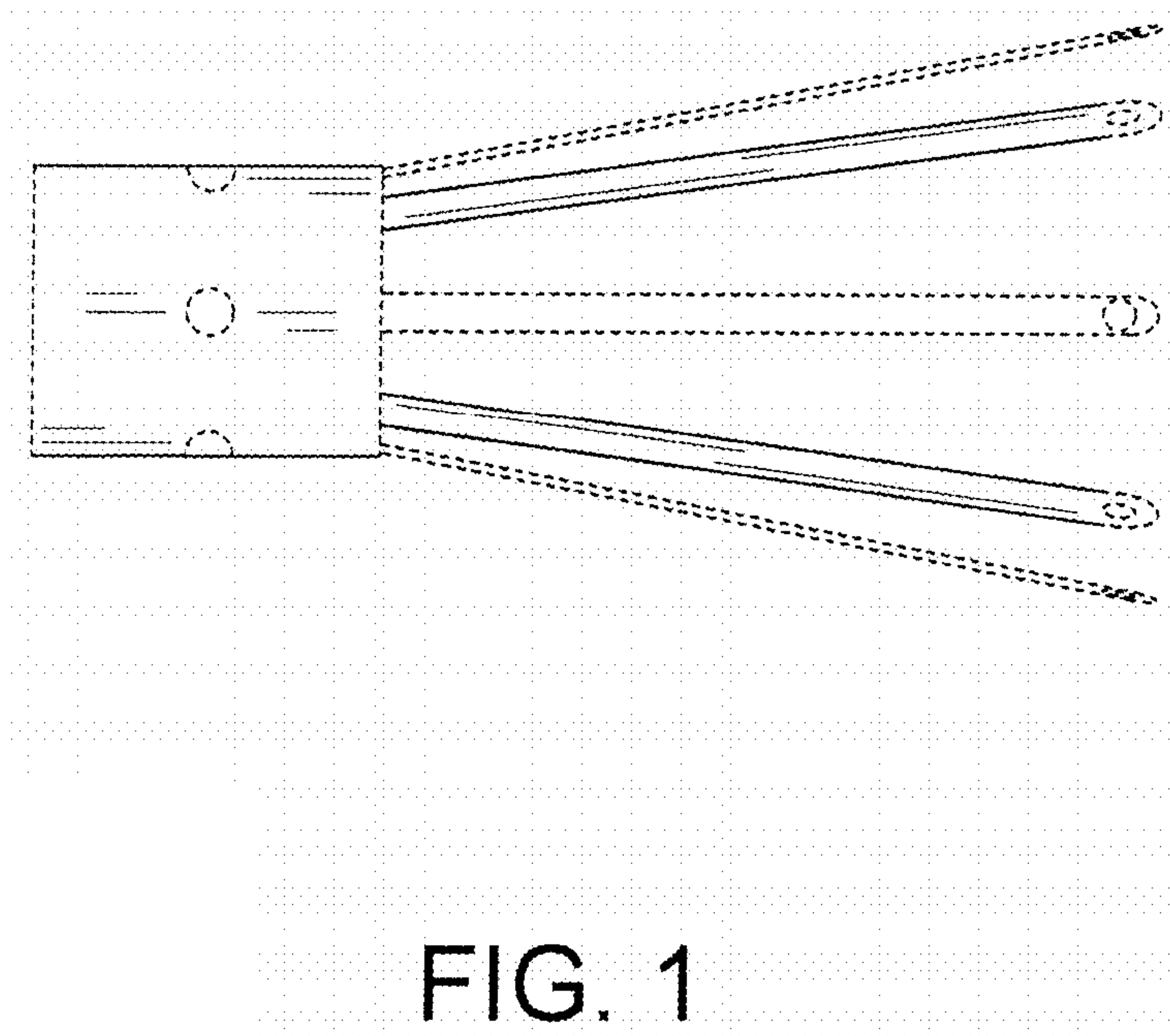
(56)

References Cited

U.S. PATENT DOCUMENTS

5,707,362	A *	1/1998	Yoon	A61B 17/3417 604/164.03	8,025,668	B2 *	9/2011	McCartney	A61B 8/0841 606/106
5,713,853	A *	2/1998	Clark	A61M 25/007 604/104	D649,634	S	11/2011	May et al.	
5,908,435	A	6/1999	Samuels		8,062,328	B2 *	11/2011	Hallisey	A61F 2/013 606/200
5,925,032	A	7/1999	Clements		8,075,510	B2	12/2011	Aklog et al.	
D414,273	S	9/1999	Smith et al.		D653,226	S	1/2012	Morgan et al.	
6,083,239	A	7/2000	Addis		D653,336	S	1/2012	Morgan et al.	
6,173,868	B1	1/2001	DeJonge		8,167,903	B2	5/2012	Hardert et al.	
6,206,868	B1	3/2001	Parodi		D672,460	S	12/2012	Baid	
6,241,738	B1	6/2001	Dereume		D674,084	S	1/2013	Linnenschmidt	
6,306,163	B1 *	10/2001	Fitz	A61F 2/013 623/1.12	8,470,016	B2	6/2013	Sherburne	
6,364,896	B1	4/2002	Addis		8,574,259	B2 *	11/2013	Welch	A61F 2/01 606/200
6,413,235	B1	7/2002	Parodi		8,945,141	B2	2/2015	Cahill	
6,413,243	B1	7/2002	Geist		D744,639	S *	12/2015	Aklog	A61M 1/0039 D24/112
6,423,032	B2	7/2002	Parodi		10,357,640	B2 *	7/2019	Abbate	A61M 31/002
6,450,712	B1	9/2002	Shah et al.		10,856,962	B2 *	12/2020	Villareal	A61F 2/01
6,500,191	B2	12/2002	Addis		2001/0049486	A1	12/2001	Evans et al.	
6,719,717	B1	4/2004	Johnson et al.		2002/0058964	A1	5/2002	Addis	
6,852,280	B2	2/2005	Vijay et al.		2002/0165574	A1	11/2002	Ressemann et al.	
6,905,490	B2	6/2005	Parodi		2003/0093112	A1	5/2003	Addis	
6,908,474	B2	6/2005	Hogendijk et al.		2004/0167564	A1	8/2004	Fedie	
6,936,060	B2	8/2005	Hogendijk et al.		2004/0220608	A1 *	11/2004	D'Aquanni	A61F 2/013 606/200
D509,589	S	9/2005	Wells		2006/0047300	A1	3/2006	Eidenschink	
6,946,099	B2	9/2005	Vijay et al.		2008/0041516	A1	2/2008	Chiu et al.	
6,960,222	B2	11/2005	Vo et al.		2009/0069840	A1 *	3/2009	Hallisey	A61F 2/013 606/200
6,989,027	B2	1/2006	Allen et al.		2010/0168786	A1 *	7/2010	Dower	A61F 2/013 606/200
7,118,585	B2	10/2006	Addis		2011/0213297	A1	9/2011	Aklog et al.	
7,223,253	B2	5/2007	Hogendijk		2013/0253571	A1 *	9/2013	Bates	A61F 2/013 606/200
7,229,402	B2	6/2007	Diaz et al.		2014/0364941	A1 *	12/2014	Edmiston	A61B 17/12022 623/2.11
D569,509	S	5/2008	Melanson et al.		2015/0250577	A1 *	9/2015	Hall	A61F 2/01 606/194
7,374,560	B2	5/2008	Ressemann et al.		2016/0175084	A1 *	6/2016	Johnson	A61F 2/013 606/200
7,625,390	B2 *	12/2009	Hendriksen	A61F 2/01 606/200	2016/0367734	A1 *	12/2016	Gavlak	A61M 1/0056
D613,859	S	4/2010	Bierman		2018/0110606	A1 *	4/2018	Gorochow	A61F 2/013
D623,805	S	9/2010	Vosbikian						
7,794,473	B2 *	9/2010	Tessmer	A61F 2/01 606/200					
7,799,046	B2	9/2010	White et al.						
D642,261	S	7/2011	York et al.						

* cited by examiner



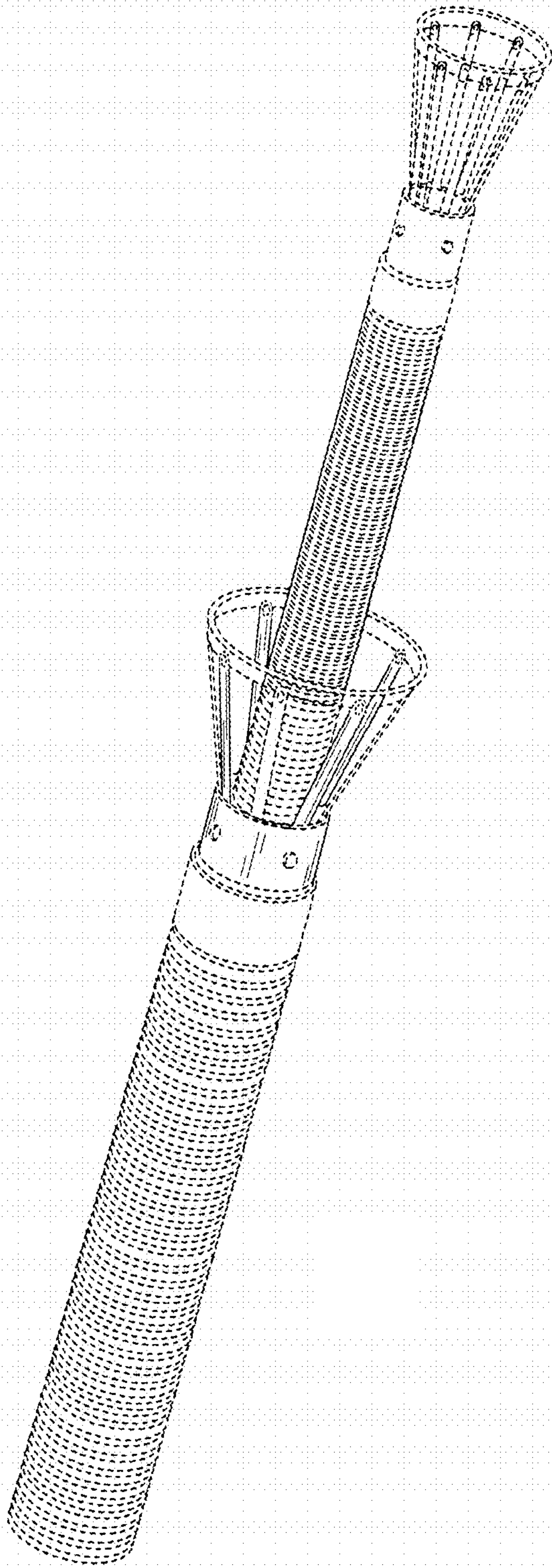


FIG. 2

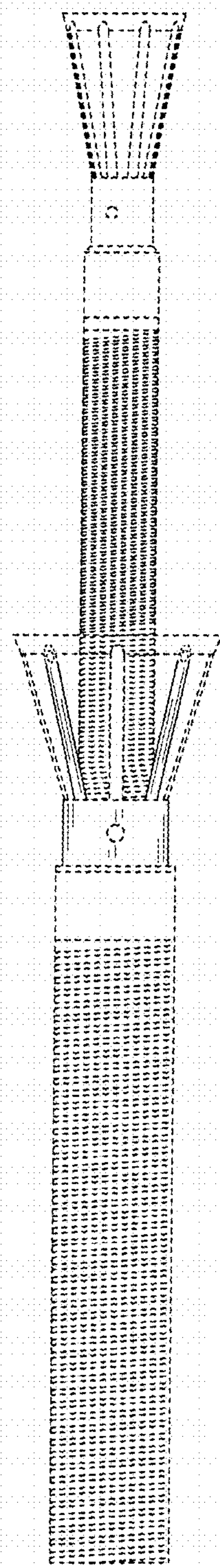


FIG. 3

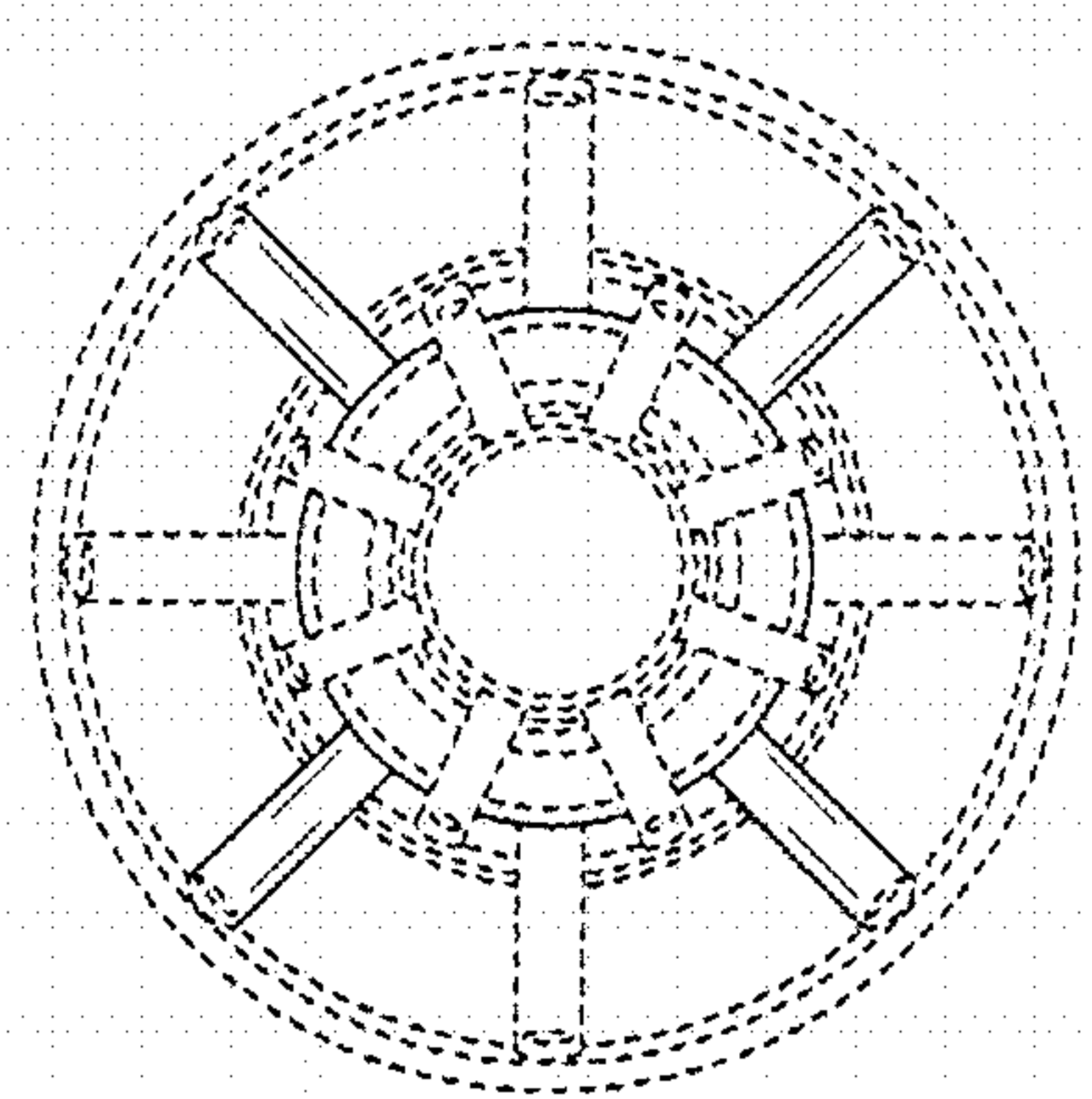


FIG. 4