



US00D916279S

(12) **United States Design Patent** (10) **Patent No.:** **US D916,279 S**  
**Rooks** (45) **Date of Patent:** **\*\* Apr. 13, 2021**

(54) **BRONCHOSCOPE COUPLER** 5,020,195 A 6/1991 LeVahn  
5,447,149 A 9/1995 Kikawada et al.  
(71) Applicant: **Covidien LP**, Mansfield, MA (US) 5,727,899 A \* 3/1998 Dobrovolny ..... A61B 17/02  
403/384  
(72) Inventor: **Kathy E. Rooks**, Longmont, CO (US) 6,834,837 B2 12/2004 Schilt et al.  
9,532,771 B2 1/2017 Ferzli  
(73) Assignee: **Covidien LP**, Mansfield, MA (US) 9,610,135 B2 4/2017 Nawrat et al.  
9,951,904 B2 4/2018 Perez et al.  
(\*\*) Term: **15 Years** 2003/0225422 A1 12/2003 Mosnier et al.  
2004/0267089 A1 12/2004 Otsuka et al.  
2006/0161136 A1 7/2006 Anderson et al.  
(21) Appl. No.: **29/723,562** 2007/0185376 A1 8/2007 Wilson et al.  
2010/0230567 A1 9/2010 Schuerch  
(22) Filed: **Feb. 7, 2020** 2011/0238083 A1 \* 9/2011 Moll ..... A61B 34/76  
606/130

**Related U.S. Application Data**

(63) Continuation of application No. 15/491,032, filed on Apr. 19, 2017, now Pat. No. 10,716,623.  
(51) **LOC (13) Cl.** ..... **24-02**  
(52) **U.S. Cl.**  
USPC ..... **D24/129**  
(58) **Field of Classification Search**  
USPC ..... D24/112-114, 108, 130, 127, 133, 186;  
606/181, 185; 604/264, 523-528, 272,  
604/164.01-164.11, 187, 93.01; 600/101,  
600/139, 143; 128/200.24, 207.14,  
128/207.15  
CPC ... A61B 1/00112; A61B 1/2676; A61B 90/57;  
A61M 25/00; A61M 39/00; A61M 27/00;  
A61M 25/0043; A61M 25/0067; A61M  
25/0097; A61F 2/958  
See application file for complete search history.

2012/0020929 A1 1/2012 Macklis et al.  
2013/0079711 A1 \* 3/2013 Nair ..... A61B 1/00066  
604/95.04  
2013/0296653 A1 \* 11/2013 Brown ..... A61B 1/00154  
600/114  
2014/0194688 A1 \* 7/2014 Ho ..... A61M 16/0463  
600/114  
2015/0073407 A1 3/2015 Dickhans et al.  
2015/0335228 A1 \* 11/2015 Lei ..... A61B 1/00137  
600/104  
2015/0351613 A1 12/2015 Knight et al.  
(Continued)

*Primary Examiner* — David G Muller

(57) **CLAIM**

The ornamental design for a bronchoscope coupler, as shown and described.

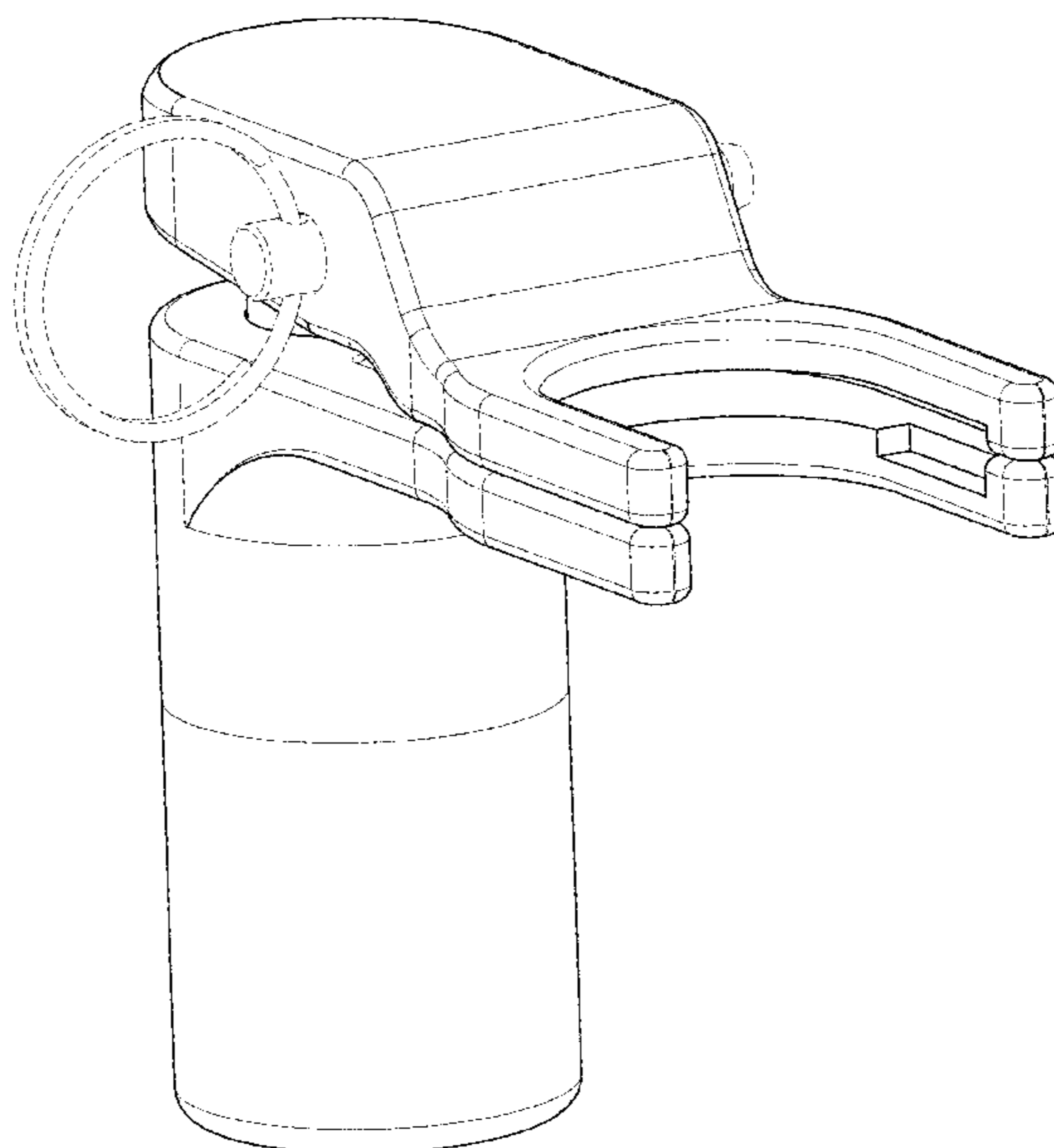
**DESCRIPTION**

FIG. 1 is a perspective view of a bronchoscope coupler in accordance with the present design;  
FIG. 2 is a right view thereof;  
FIG. 3 is a left view thereof;  
FIG. 4 is a top view thereof;  
FIG. 5 is a rear view thereof; and,  
FIG. 6 is a front view thereof.

**1 Claim, 6 Drawing Sheets**

(56) **References Cited**  
U.S. PATENT DOCUMENTS

3,858,578 A 1/1975 Milo  
4,573,452 A 3/1986 Greenberg  
4,617,916 A 10/1986 LeVahn et al.  
4,863,133 A 9/1989 Bonnell  
4,867,404 A 9/1989 Harrington et al.



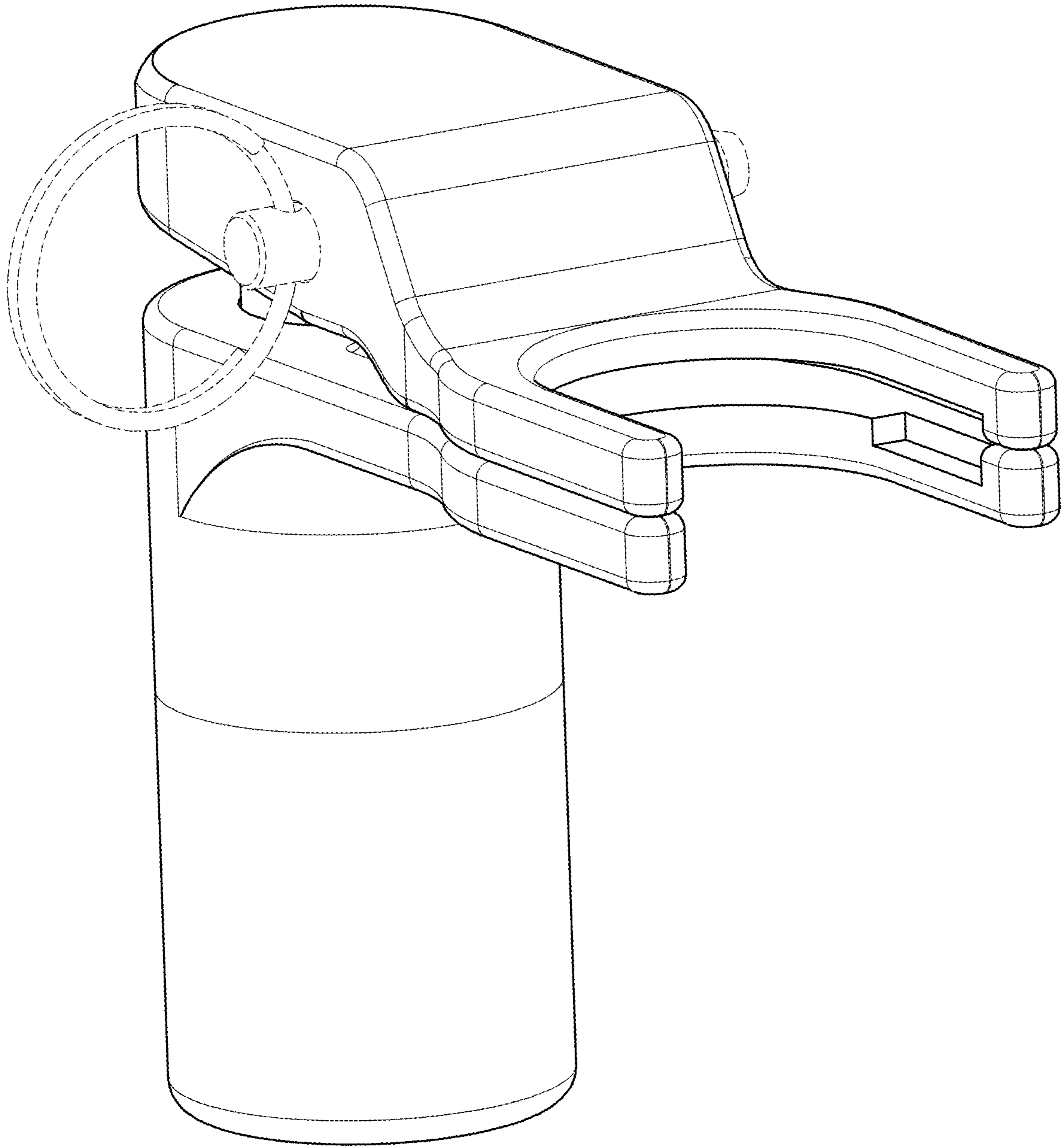
(56)

**References Cited**

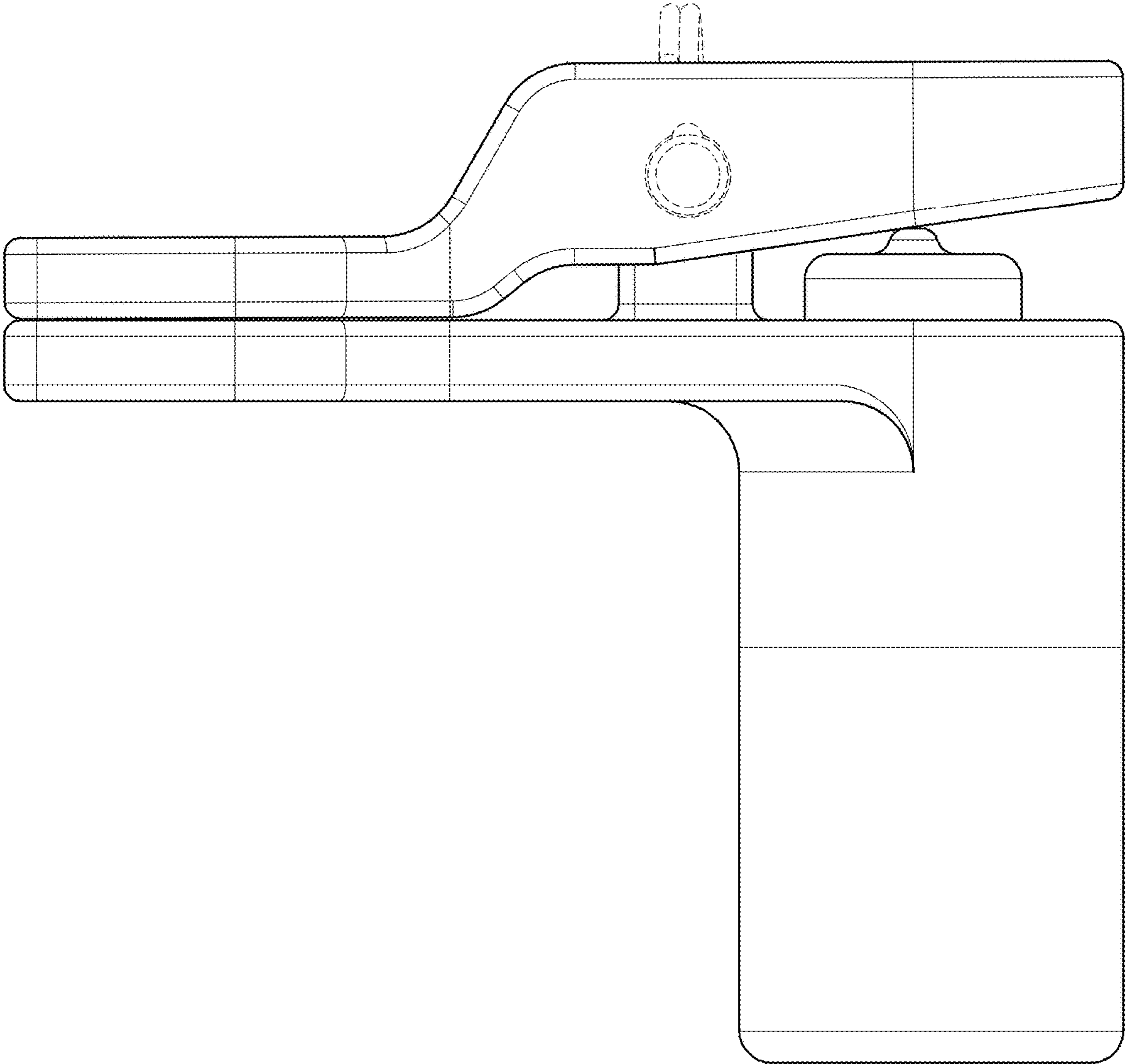
U.S. PATENT DOCUMENTS

2015/0366445 A1\* 12/2015 Rutgers ..... A61B 1/267  
600/120  
2016/0113481 A1\* 4/2016 Okamoto ..... A61B 1/0052  
600/132  
2016/0296401 A1 10/2016 Cole et al.  
2017/0042629 A1\* 2/2017 Sauer ..... A61B 90/03  
2017/0224200 A1\* 8/2017 Uesugi ..... A61B 1/00147  
2017/0273544 A1\* 9/2017 Onishi ..... A61B 1/00068  
2017/0296297 A1 10/2017 Zulty et al.  
2017/0319050 A1 11/2017 Rooks  
2017/0319191 A1\* 11/2017 Kiedrowski ..... A61B 1/00195  
2018/0007346 A1\* 1/2018 Ushijima ..... A61B 1/00039  
2018/0049730 A1\* 2/2018 Shuman ..... A61B 1/2676  
2018/0168433 A1\* 6/2018 Meyer ..... A61B 1/00029  
2019/0110814 A1\* 4/2019 Nemovicher ..... A61B 17/645  
2019/0298305 A1\* 10/2019 Kopel ..... A61B 1/2676  
2019/0298975 A1\* 10/2019 Wang ..... A61B 10/0266  
2019/0357994 A1\* 11/2019 Stefan ..... A61B 17/00234

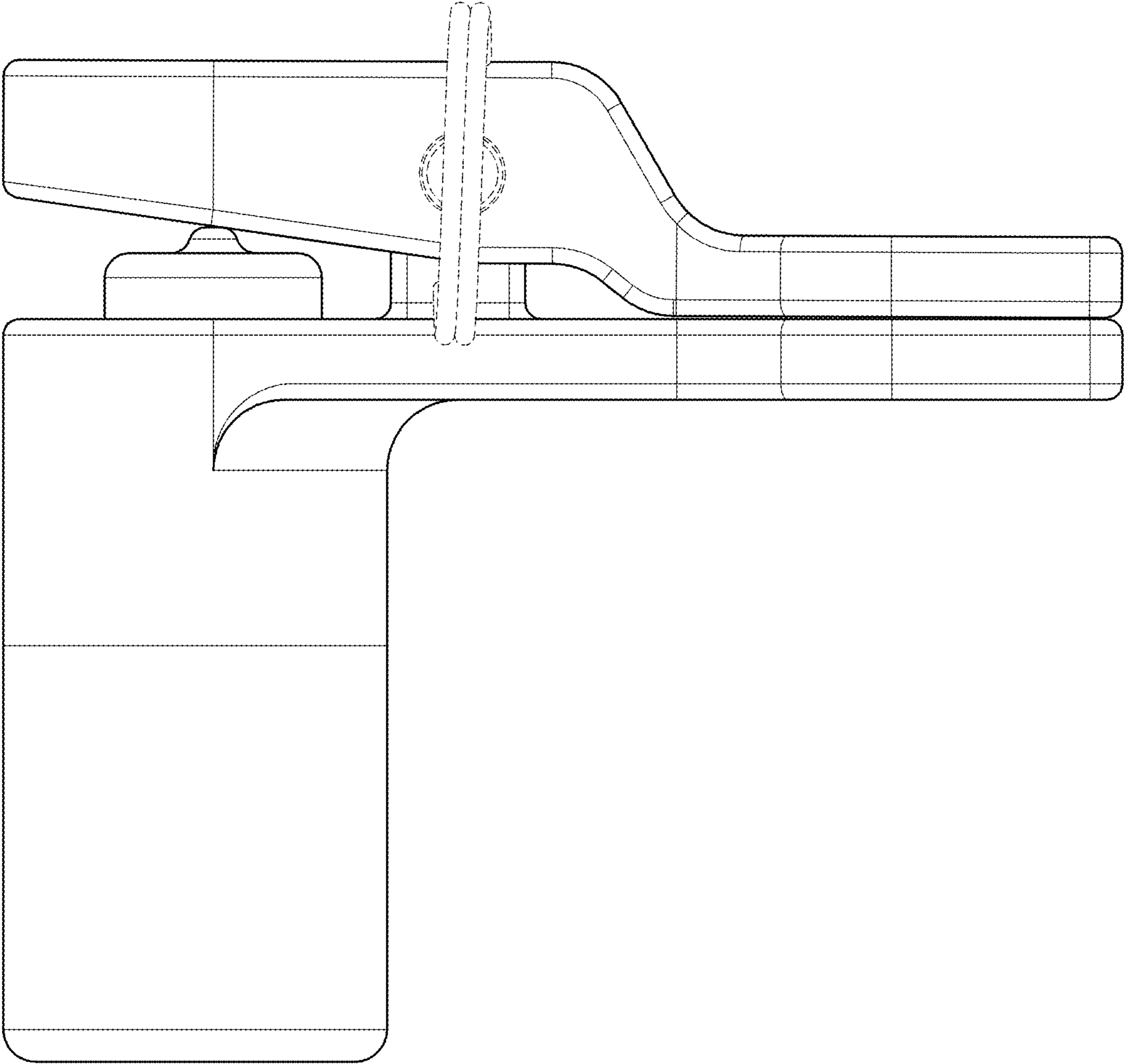
\* cited by examiner



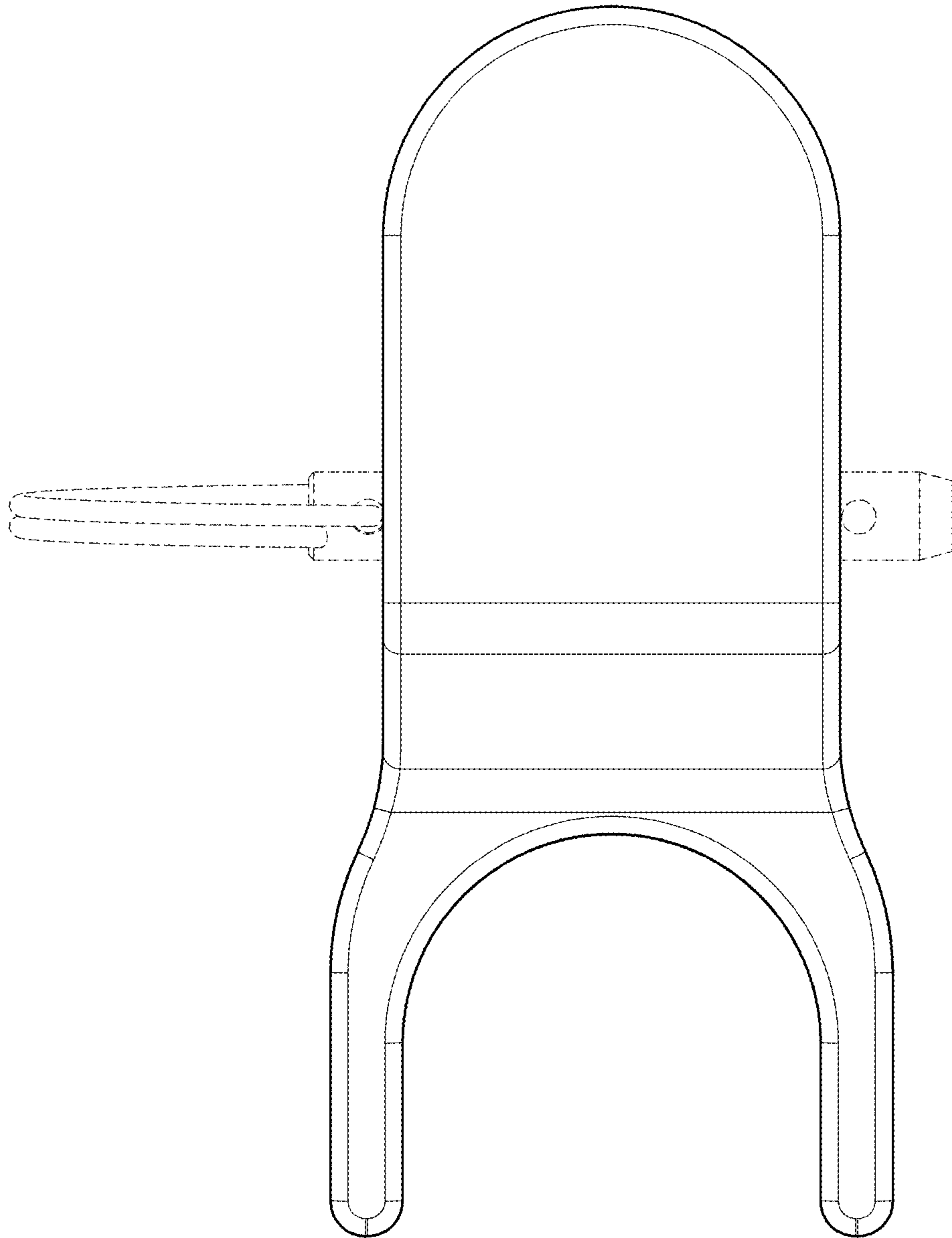
**FIG. 1**



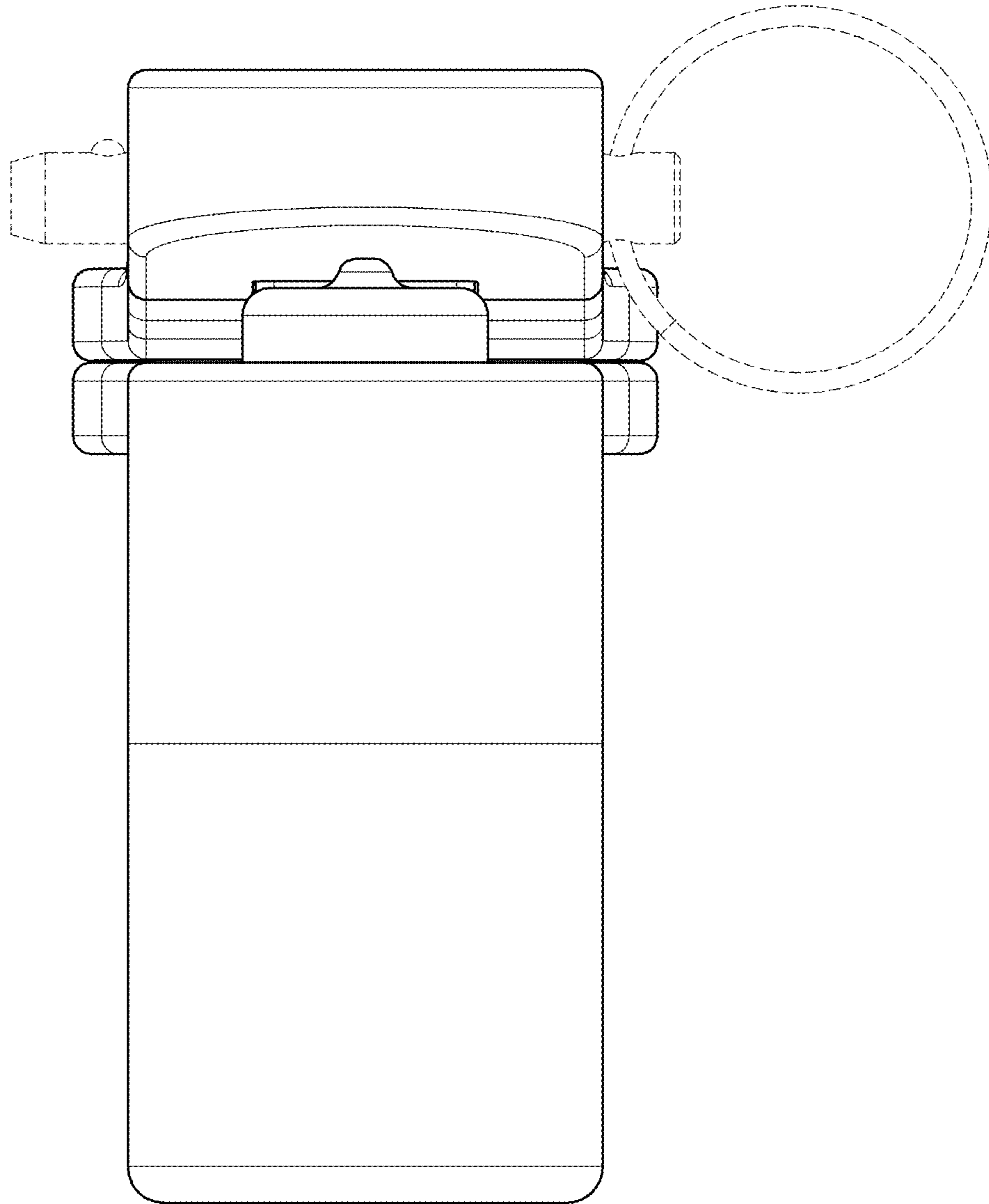
**FIG. 2**



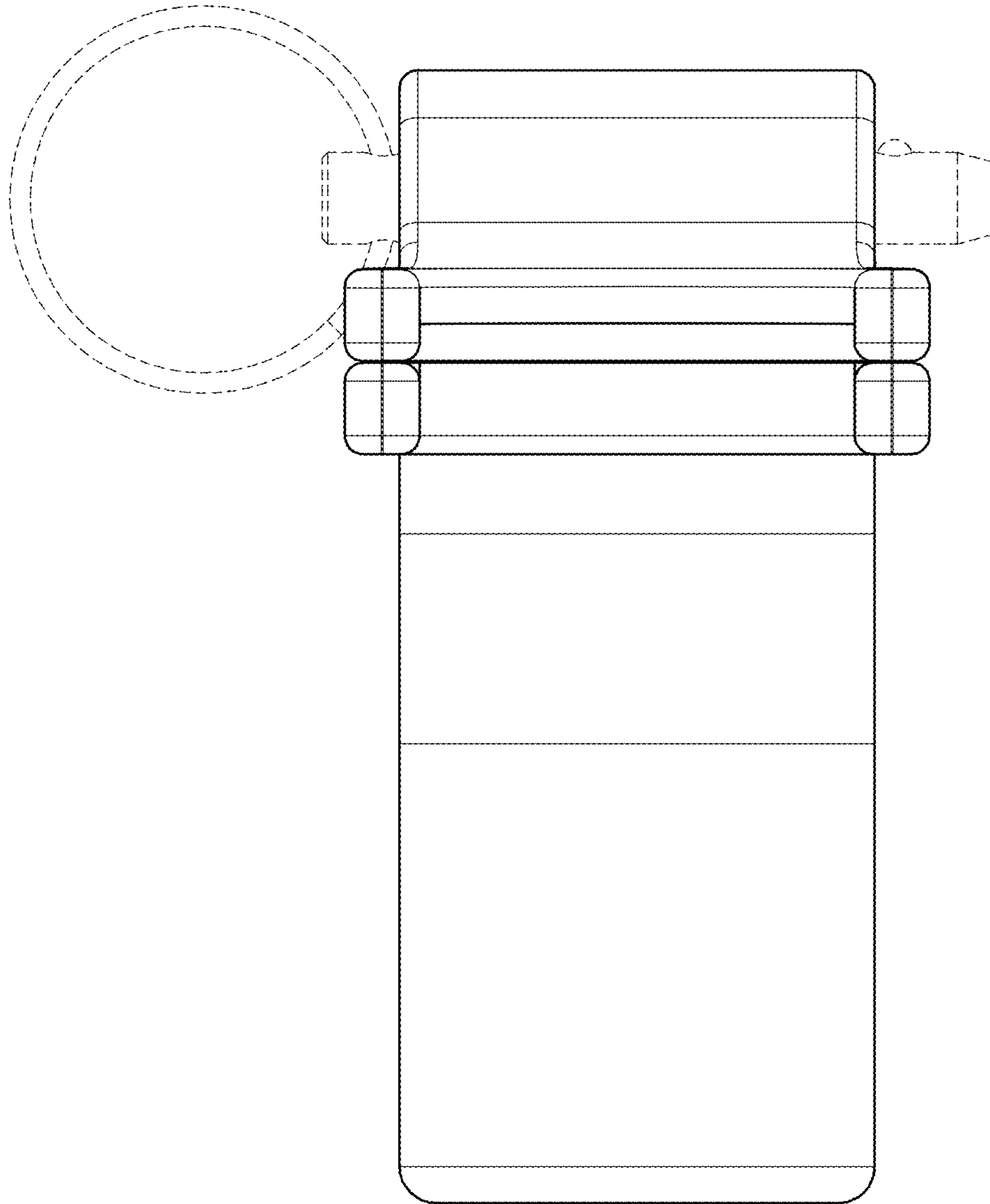
**FIG. 3**



**FIG. 4**



**FIG. 5**



**FIG. 6**