

US00D916278S

(12) **United States Design Patent**
Thompson

(10) **Patent No.:** **US D916,278 S**
(45) **Date of Patent:** **** Apr. 13, 2021**

- (54) **URINARY ASSISTANCE DEVICE**
- (71) Applicant: **Susan Thompson**, Pompano Beach, FL (US)
- (72) Inventor: **Susan Thompson**, Pompano Beach, FL (US)
- (73) Assignee: **InnoBrands International LLC**, Pompano Beach, FL (US)
- (**) Term: **15 Years**
- (21) Appl. No.: **29/677,260**
- (22) Filed: **Jan. 18, 2019**
- (51) **LOC (13) Cl.** **24-02**
- (52) **U.S. Cl.**
USPC **D24/122**
- (58) **Field of Classification Search**
USPC D24/121-123, 112, 207, 216, 224;
604/317, 318, 334; 600/573, 574;
4/144.1-144.4, 459, 460; D9/716, 524,
D9/435, 441, 447, 431; D7/509-511,
D7/309, 305, 900, 538, 539, 321, 700;
D23/274, 302, 295, 309, 200; 229/138
CPC A61F 5/4556; A61F 5/3746; A61F 5/455;
A61F 5/443; A61F 5/4408; A47K 11/12;
A61M 1/00; A61B 10/007; A61G 9/006;
A61G 2200/12
See application file for complete search history.

- 5,408,703 A * 4/1995 Cicio A47K 11/12
4/144.2
- 5,742,948 A * 4/1998 Cicio A47K 11/06
141/337
- 5,966,748 A * 10/1999 Young A47K 11/12
4/144.4
- 6,327,716 B1 * 12/2001 Kaus A61F 5/4556
4/144.4
- 6,434,757 B1 * 8/2002 Filsouf A61F 5/4556
4/144.1
- D495,798 S * 9/2004 Gugliotta D24/122
- D499,482 S * 12/2004 Gugliotta D24/122
- D527,101 S * 8/2006 Fernandez D24/122
- D602,156 S * 10/2009 Young D24/122
- 8,146,179 B1 * 4/2012 Duque A61F 5/4556
4/144.1
- D728,329 S * 5/2015 Wirth D7/700
- D731,052 S * 6/2015 Doerr D24/121
- D735,849 S * 8/2015 Rudolph D24/122

(Continued)

Primary Examiner — Nathan M Johnston

(57) **CLAIM**

The ornamental design for a urinary assistance device, as shown and described.

DESCRIPTION

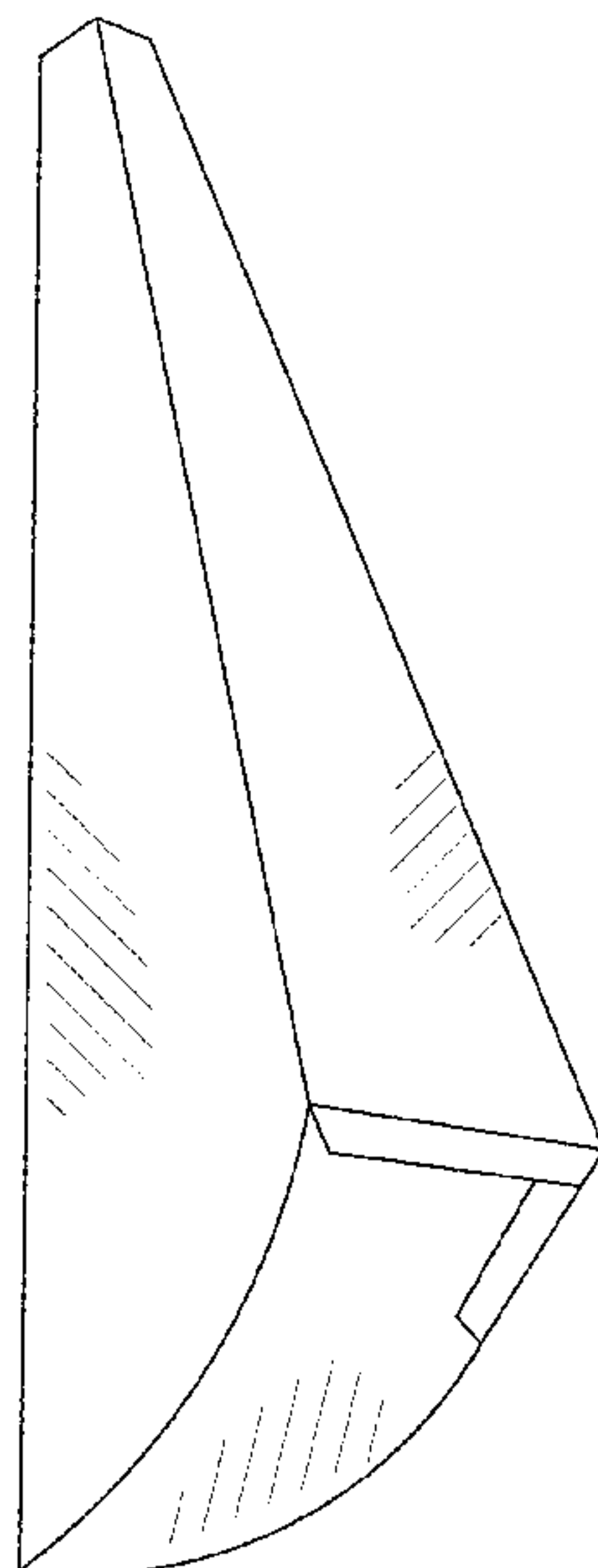
FIG. 1 is a front view of a urinary assistance device in an unassembled, flat configuration, showing my new design; FIG. 2 is a rear view thereof; FIG. 3 is a left side view of the urinary assistance device of FIG. 1, illustrated in an assembled, collapsed configuration; FIG. 4 is a right side view thereof, illustrated in an assembled, collapsed configuration; FIG. 5 is a rear view of the urinary assistance device of FIG. 1, illustrated in an assembled, expanded configuration; FIG. 6 is a front view thereof; FIG. 7 is a left side perspective view thereof; FIG. 8 is a bottom view thereof; and, FIG. 9 is a top view thereof.

1 Claim, 8 Drawing Sheets

(56) **References Cited**

U.S. PATENT DOCUMENTS

- 2,878,486 A * 3/1959 Bartlett A61F 5/4556
4/144.4
- 4,681,573 A * 7/1987 McGovern A61F 5/4556
4/144.3
- D302,042 S * 7/1989 McGovern D24/122



(56)

References Cited

U.S. PATENT DOCUMENTS

D757,257	S *	5/2016	Grossman	D24/122
D760,383	S *	6/2016	Delarosa	D24/122
D802,123	S *	11/2017	Jones	D24/122
9,931,103	B1 *	4/2018	DeLaRosa	A61B 10/007
D824,513	S *	7/2018	Castriota	D24/122
2003/0056283	A1 *	3/2003	Wang	A61F 5/4556 4/144.4
2003/0195483	A1 *	10/2003	Ching	A61F 5/4556 604/327
2009/0089919	A1 *	4/2009	Rudolph	A61F 5/4556 4/144.4
2009/0159470	A1 *	6/2009	Montakhabi	A61F 5/4556 206/229
2013/0239311	A1 *	9/2013	Valenti	A61F 5/4556 4/144.3

* cited by examiner

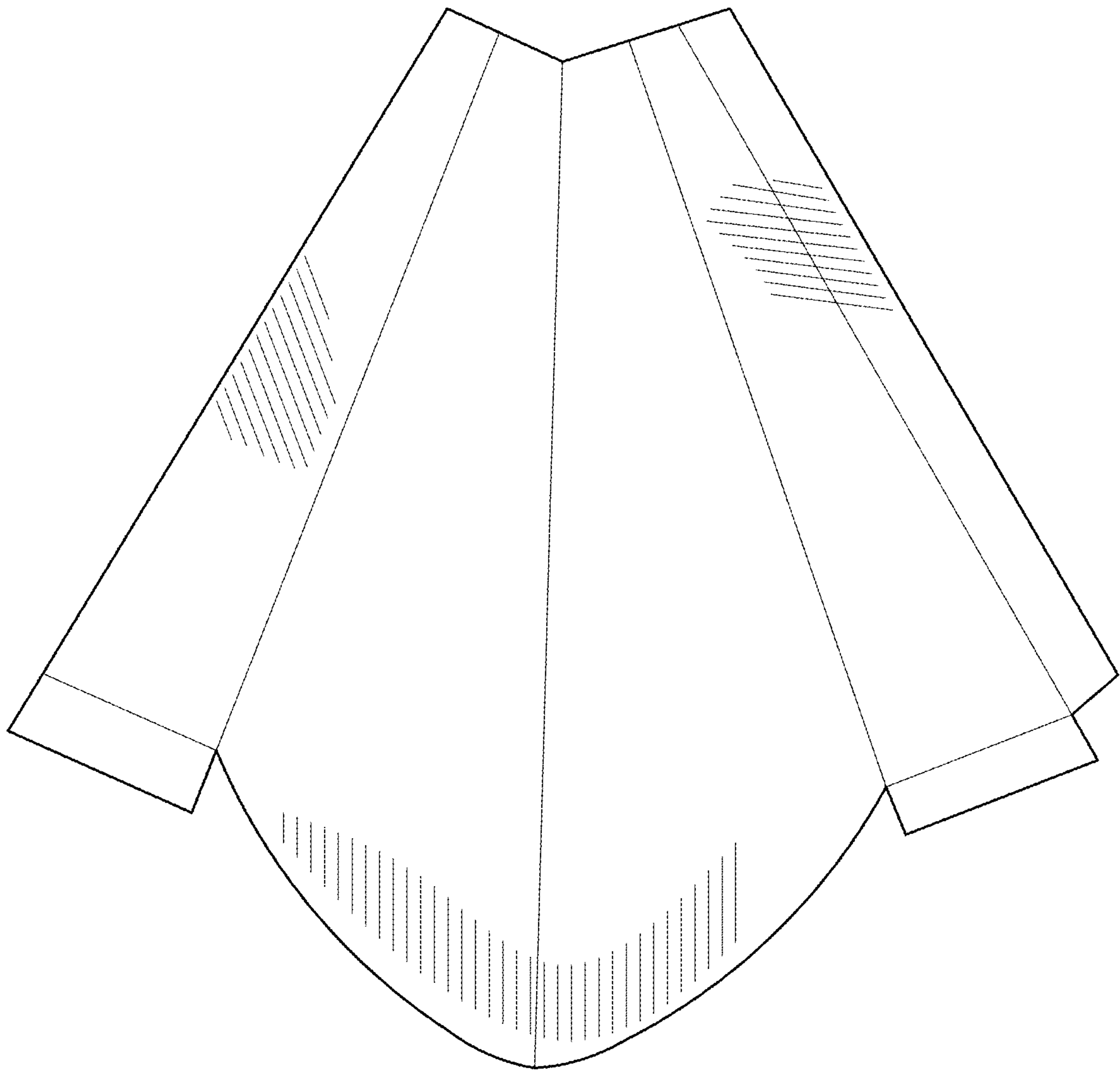


FIG. 1

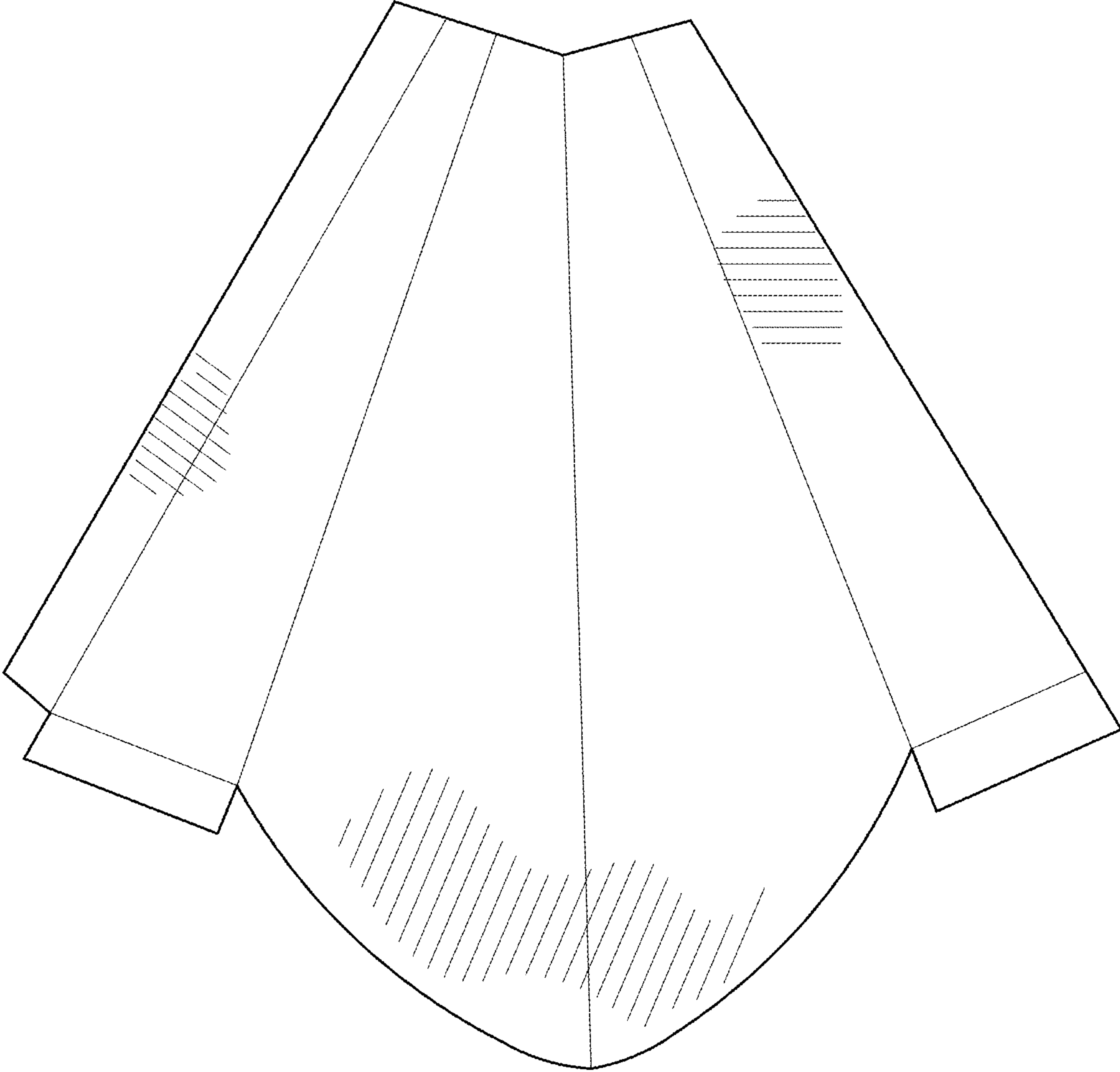


FIG. 2

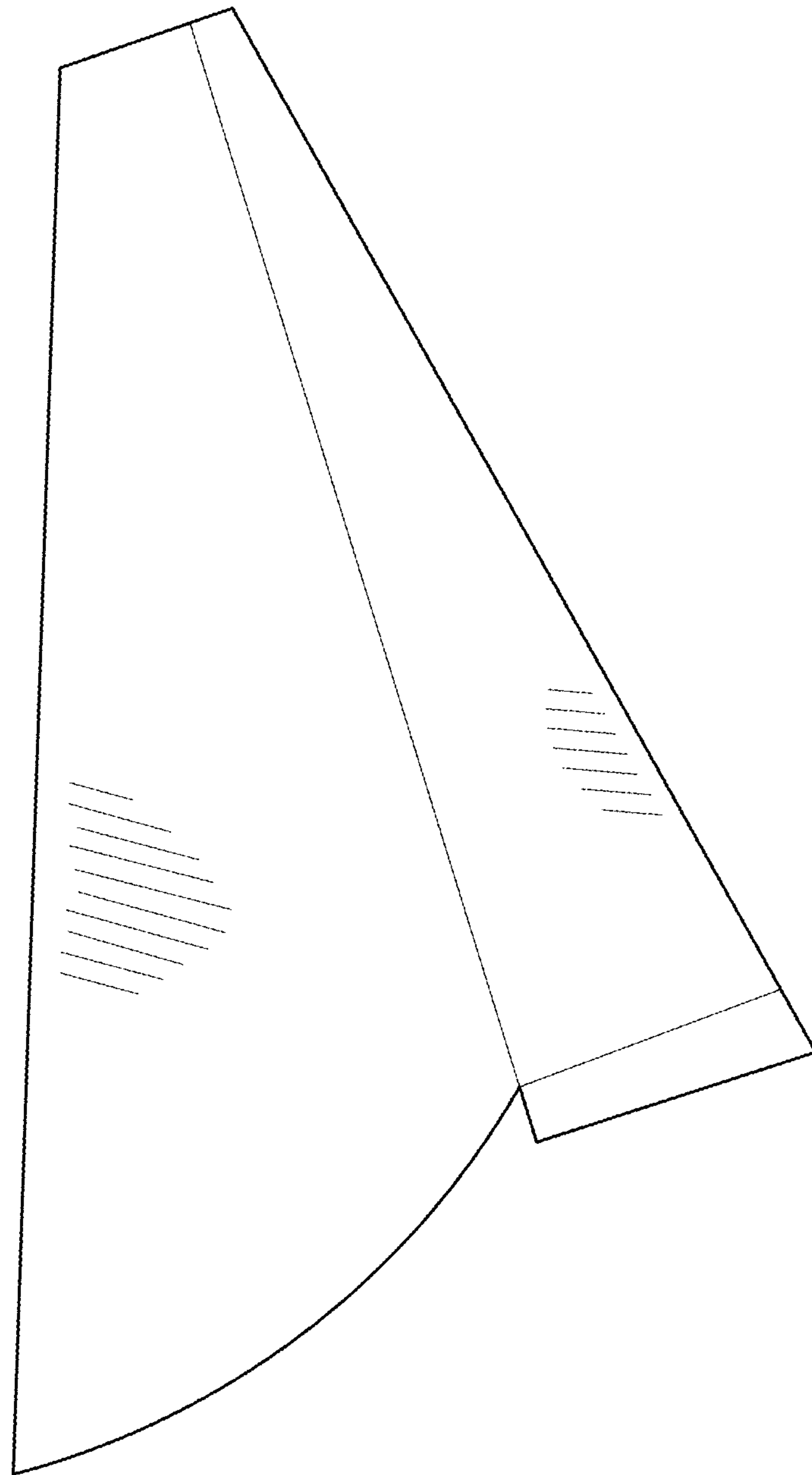


FIG. 3

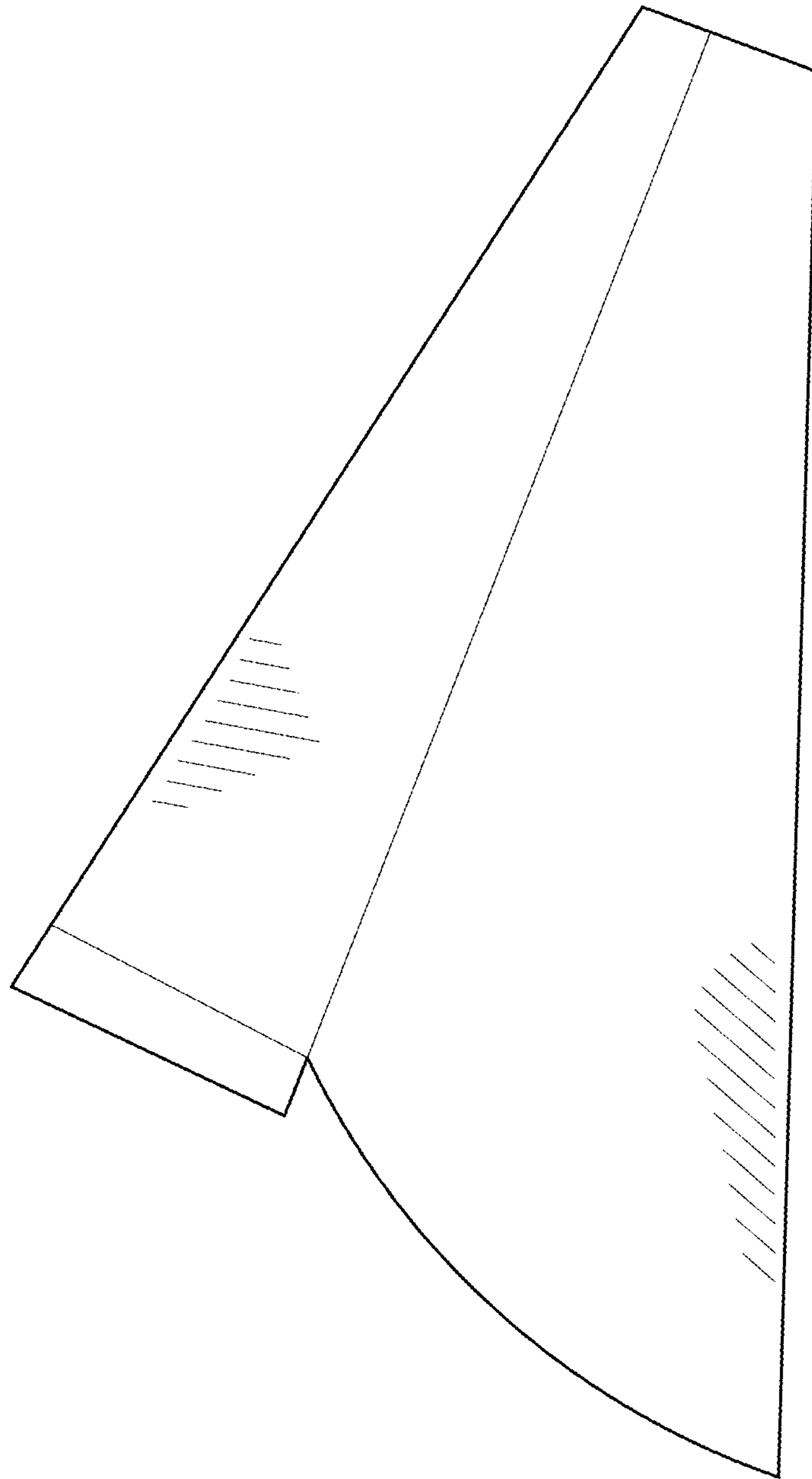


FIG. 4

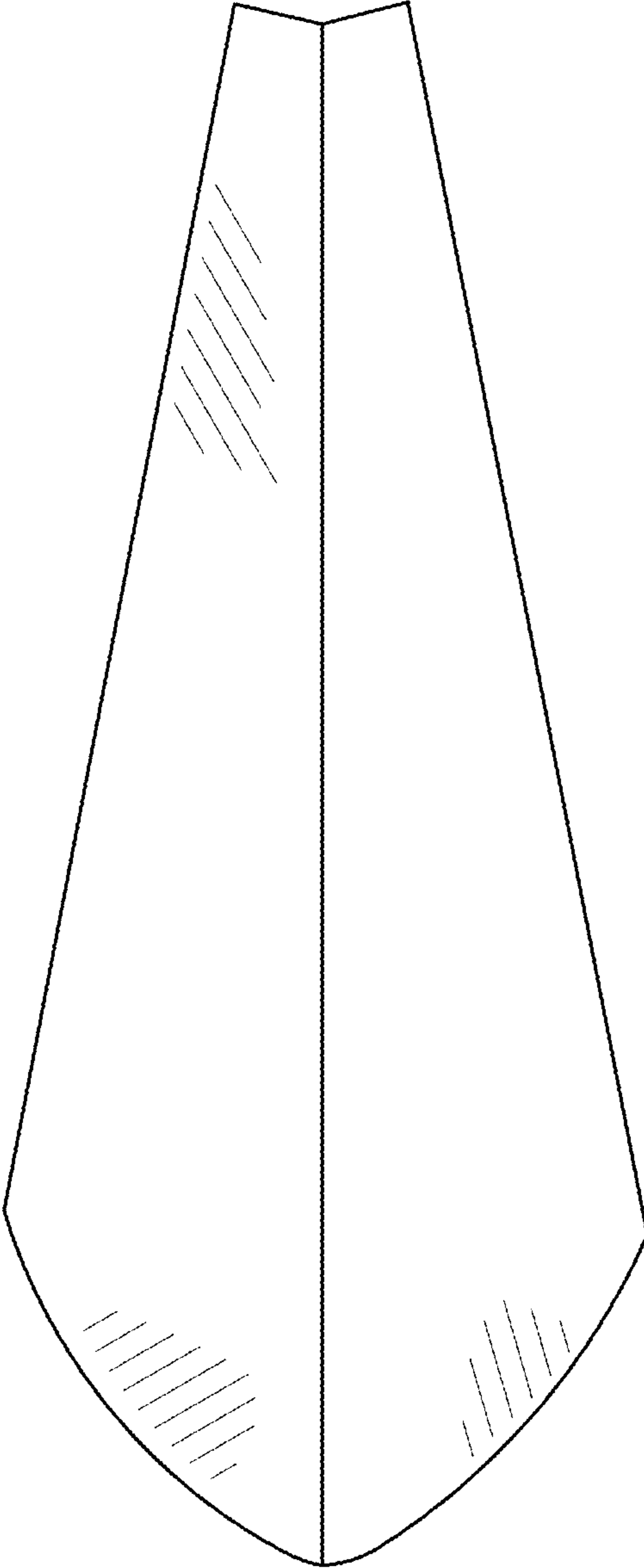


FIG. 5

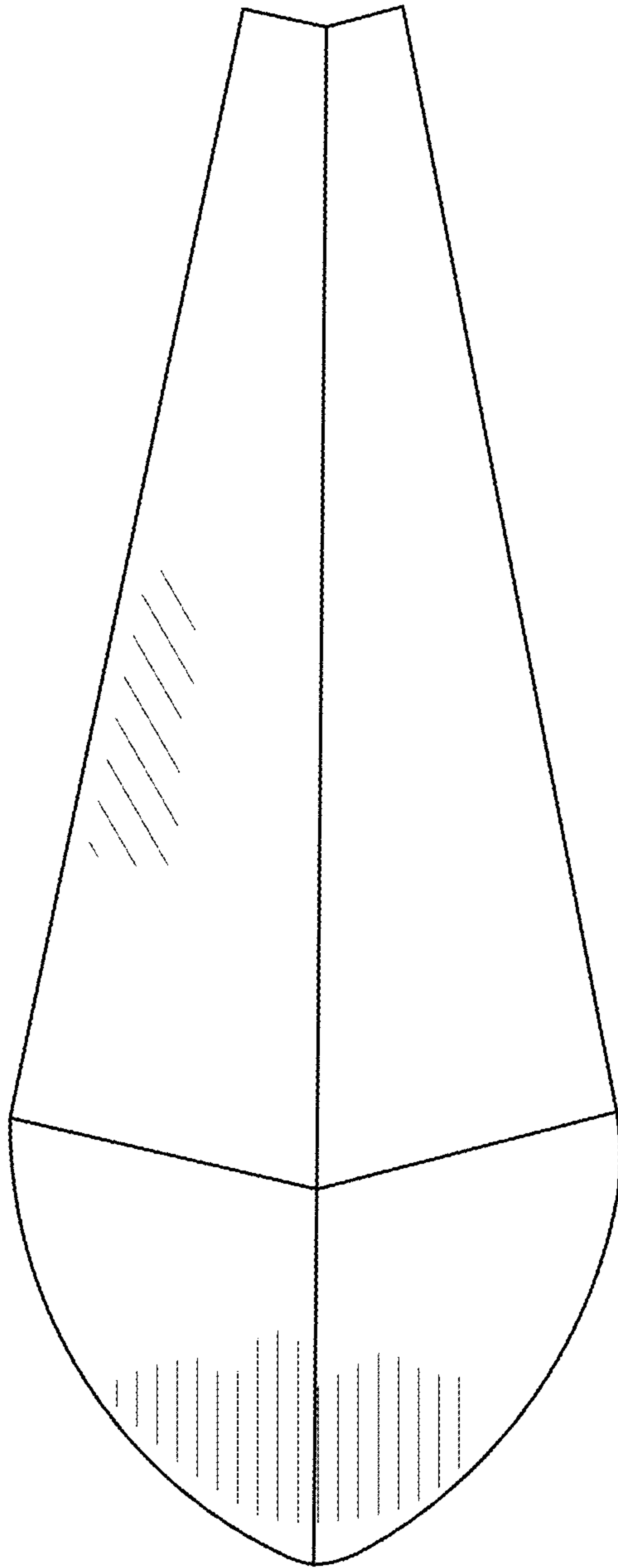


FIG. 6

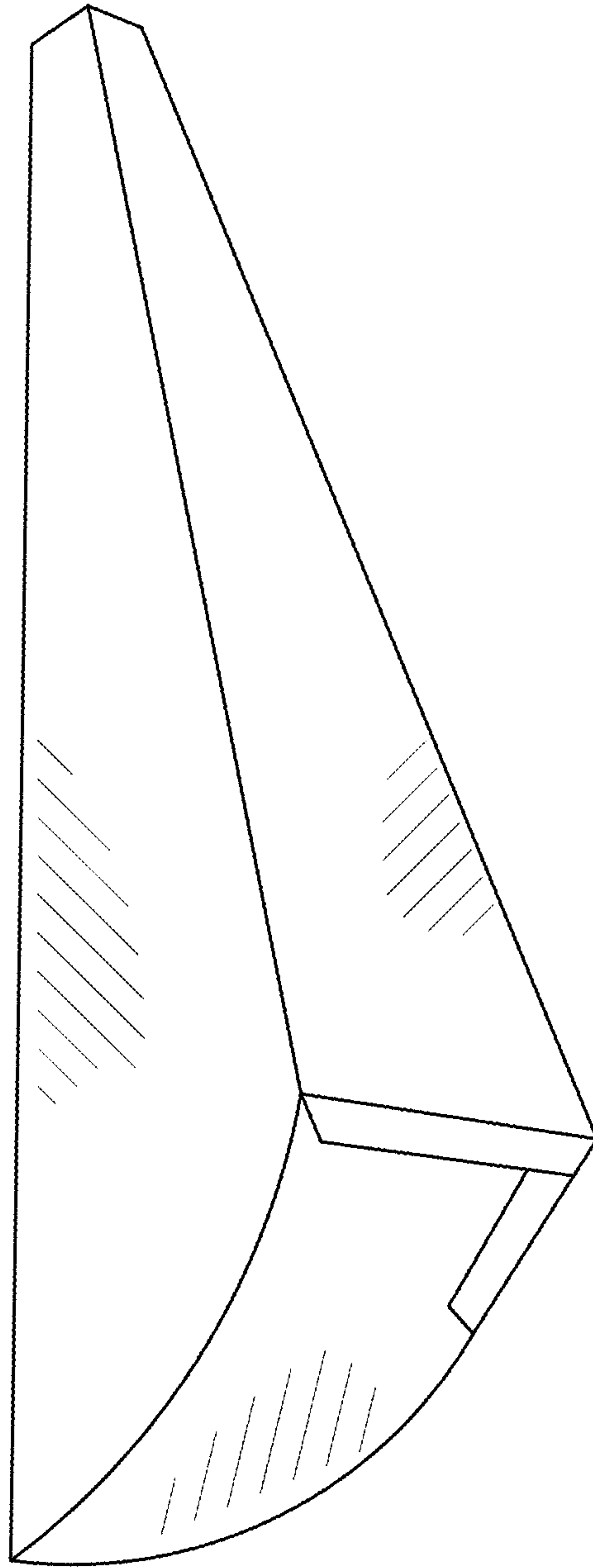


FIG. 7

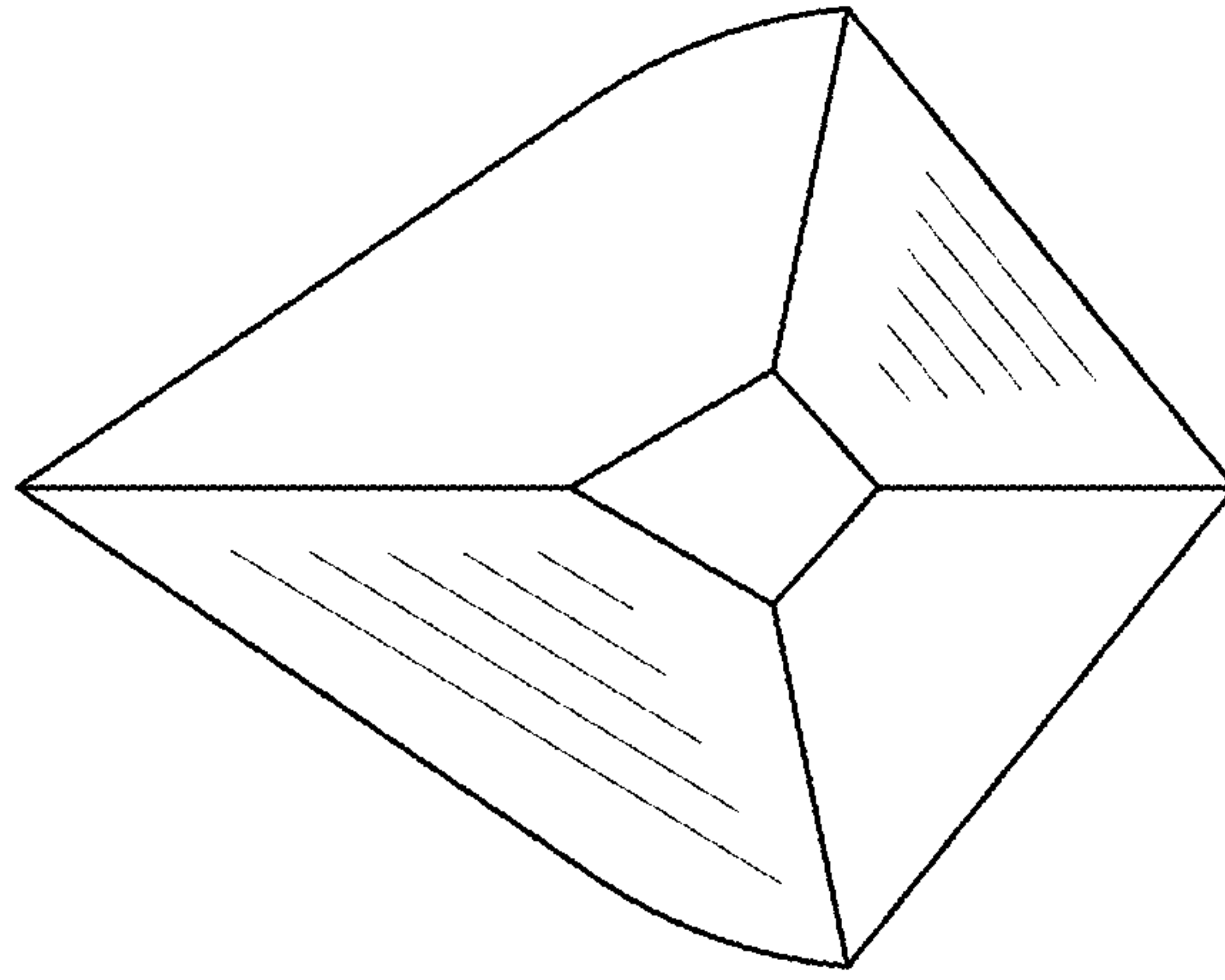


FIG. 9

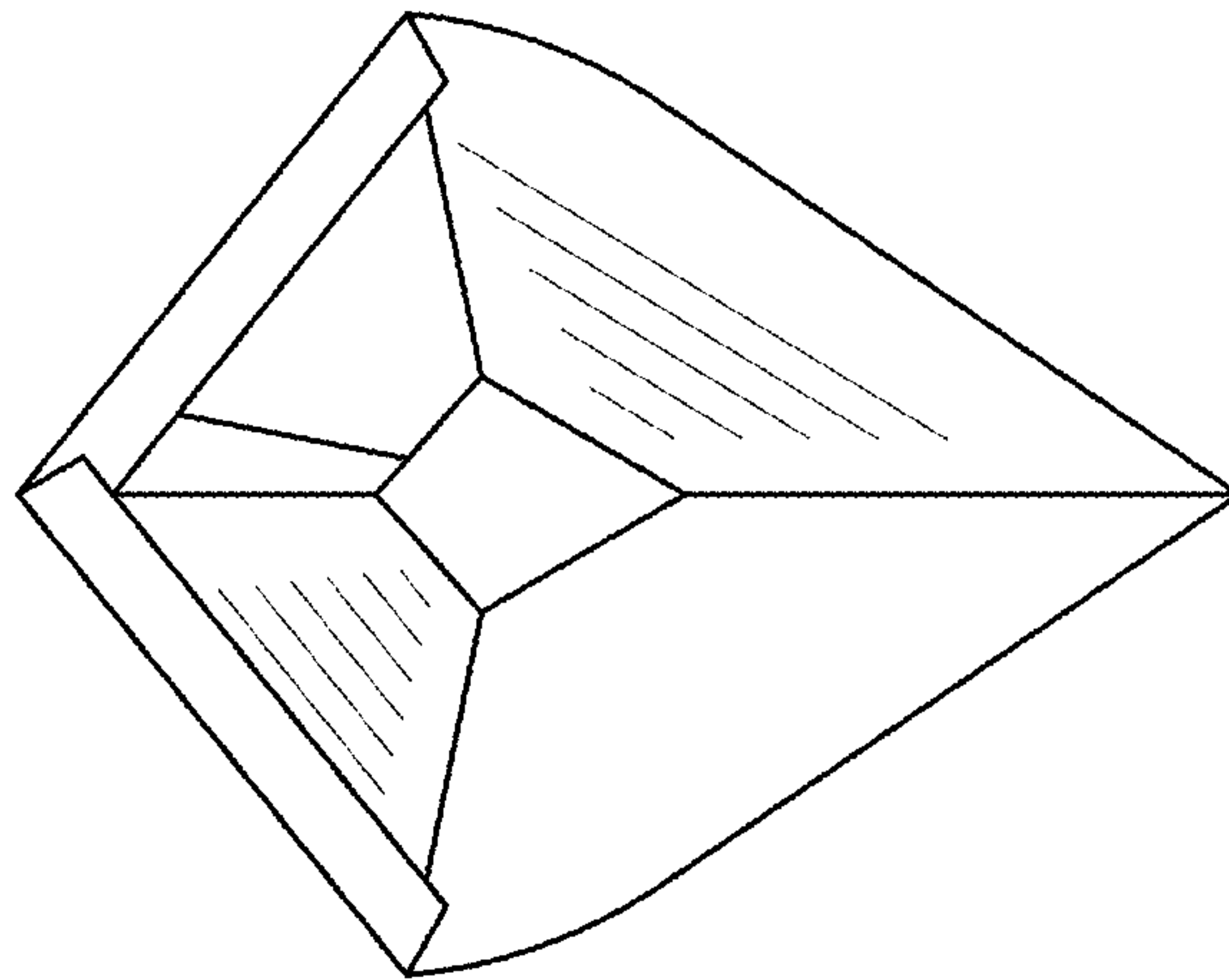


FIG. 8