



US00D916274S

(12) **United States Design Patent** (10) **Patent No.:** **US D916,274 S**
Aktas et al. (45) **Date of Patent:** **** Apr. 13, 2021**

(54) **MOUTHPIECE FOR A PULMONARY FUNCTION TESTING EQUIPMENT**

(71) Applicant: **INOFAB SAGLIK TEKNOLOJILERI ANONIM SIRKETI**, Ankara (TR)

(72) Inventors: **Ahmet Burak Aktas**, Ankara (TR); **Kadir Tayyip Taslica**, Ankara (TR)

(**) Term: **15 Years**

(21) Appl. No.: **35/508,062**

(22) Filed: **Aug. 9, 2019**

(80) **Hague Agreement Data**

Int. Filing Date: **Aug. 9, 2019**
Int. Reg. No.: **DM/204656**
Int. Reg. Date: **Aug. 9, 2019**
Int. Reg. Pub. Date: **Dec. 13, 2019**

(30) **Foreign Application Priority Data**

Feb. 14, 2019 (TR) 2019/01003

(51) **LOC (13) Cl.** **29-02**

(52) **U.S. Cl.**
USPC **D24/110.5**

(58) **Field of Classification Search**

USPC D24/110.5, 164
CPC A24F 7/00; A61C 7/08
See application file for complete search history.

(56) **References Cited**

U.S. PATENT DOCUMENTS

D471,974 S * 3/2003 Chen-Lieh D24/110.5
D479,876 S * 9/2003 Gradon D24/110

D480,806 S * 10/2003 Engelbreth D24/110
D556,902 S * 12/2007 Allen D24/110.5
D557,788 S * 12/2007 Eloranta 24/110
D775,347 S * 12/2016 Buess D24/164
D775,348 S * 12/2016 Buess D24/164
D775,349 S * 12/2016 Buess D24/164
D775,350 S * 12/2016 Buess D24/164
D775,733 S * 1/2017 Buess D24/164
D881,398 S * 4/2020 Taslica D24/164
D883,569 S * 5/2020 Powell D27/170

* cited by examiner

Primary Examiner — Michael A. Pratt

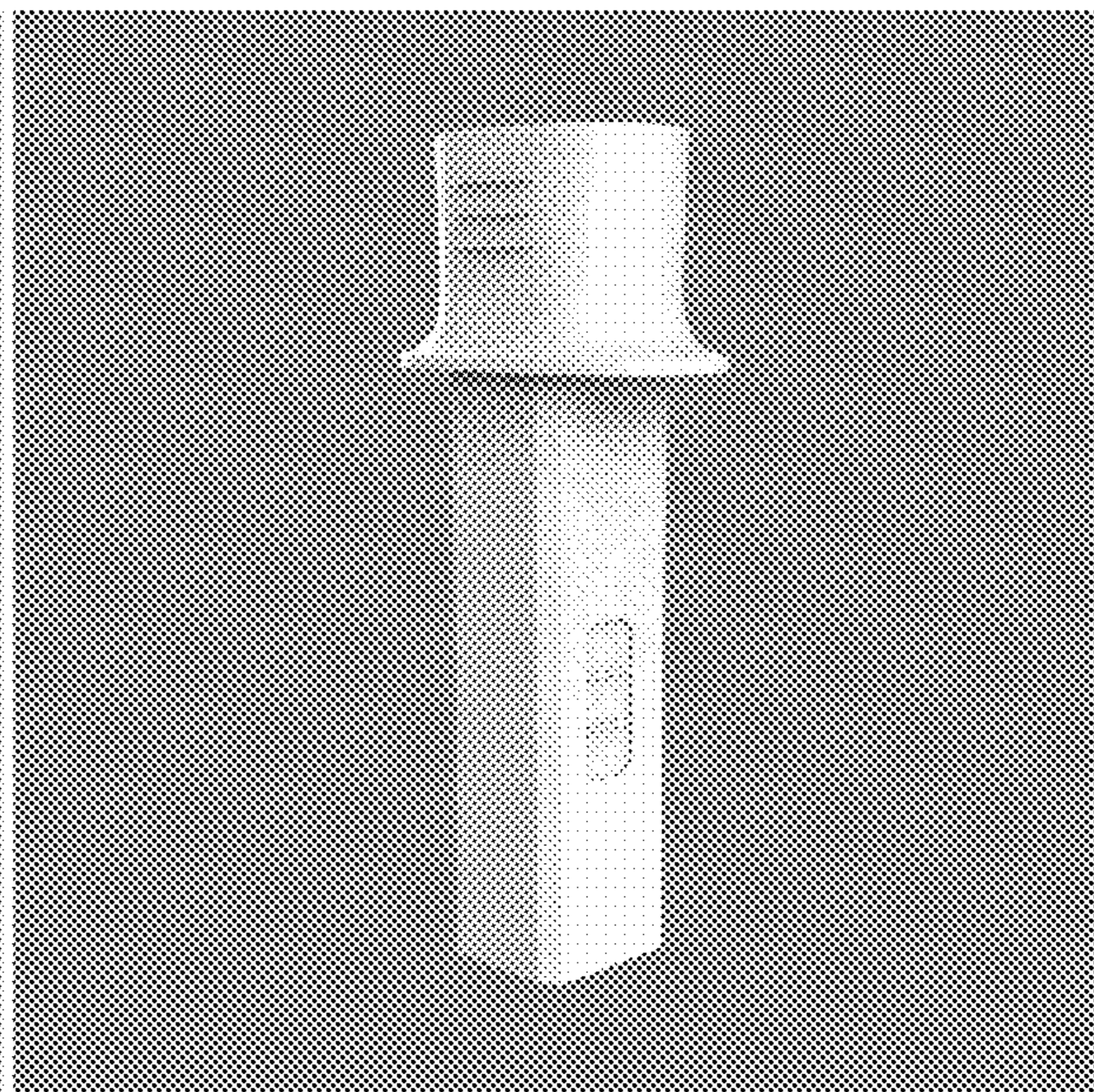
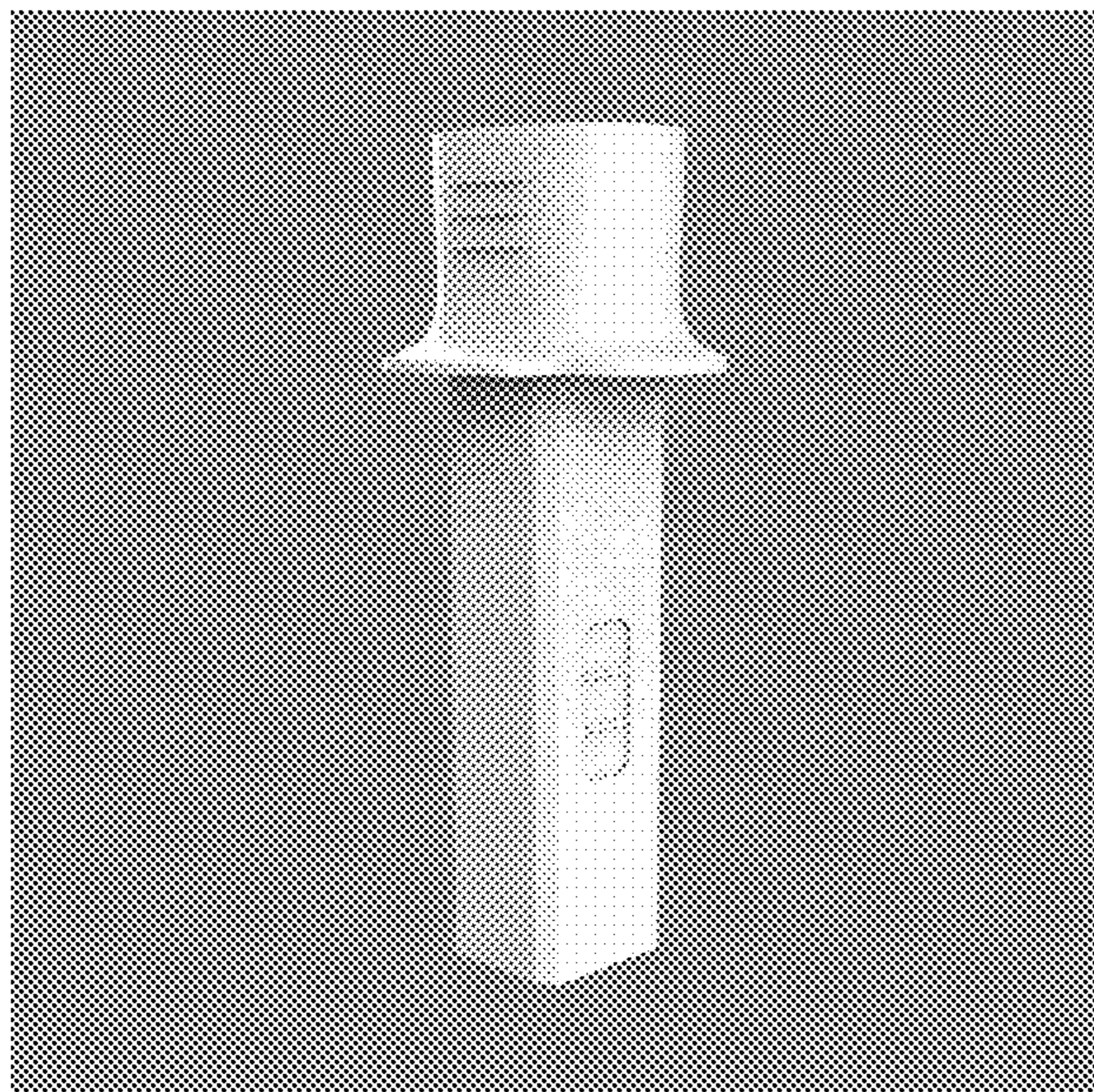
(57) **CLAIM**

The ornamental design for mouthpiece for a pulmonary function testing equipment, as shown and described.

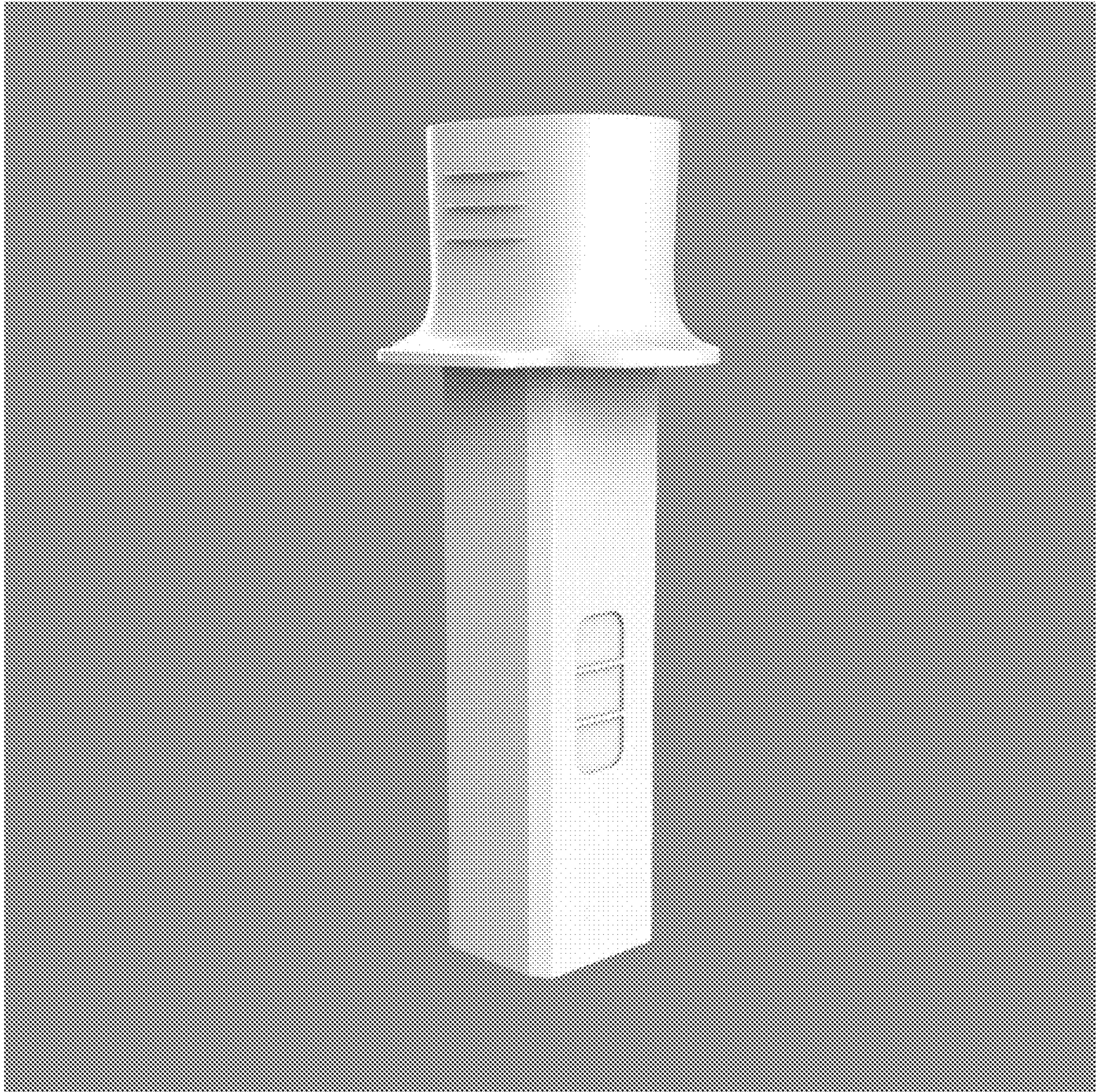
DESCRIPTION

- 1.-2. Mouthpiece for a pulmonary function testing equipment
- 1.1 : Perspective
- 1.2 : Top
- 1.3 : Front
- 1.4 : Back
- 1.5 : Left
- 1.6 : Right
- 1.7 : Bottom
- 2.1 : Perspective
- 2.2 : Top
- 2.3 : Front
- 2.4 : Back
- 2.5 : Left
- 2.6 : Right
- 2.7 : Bottom

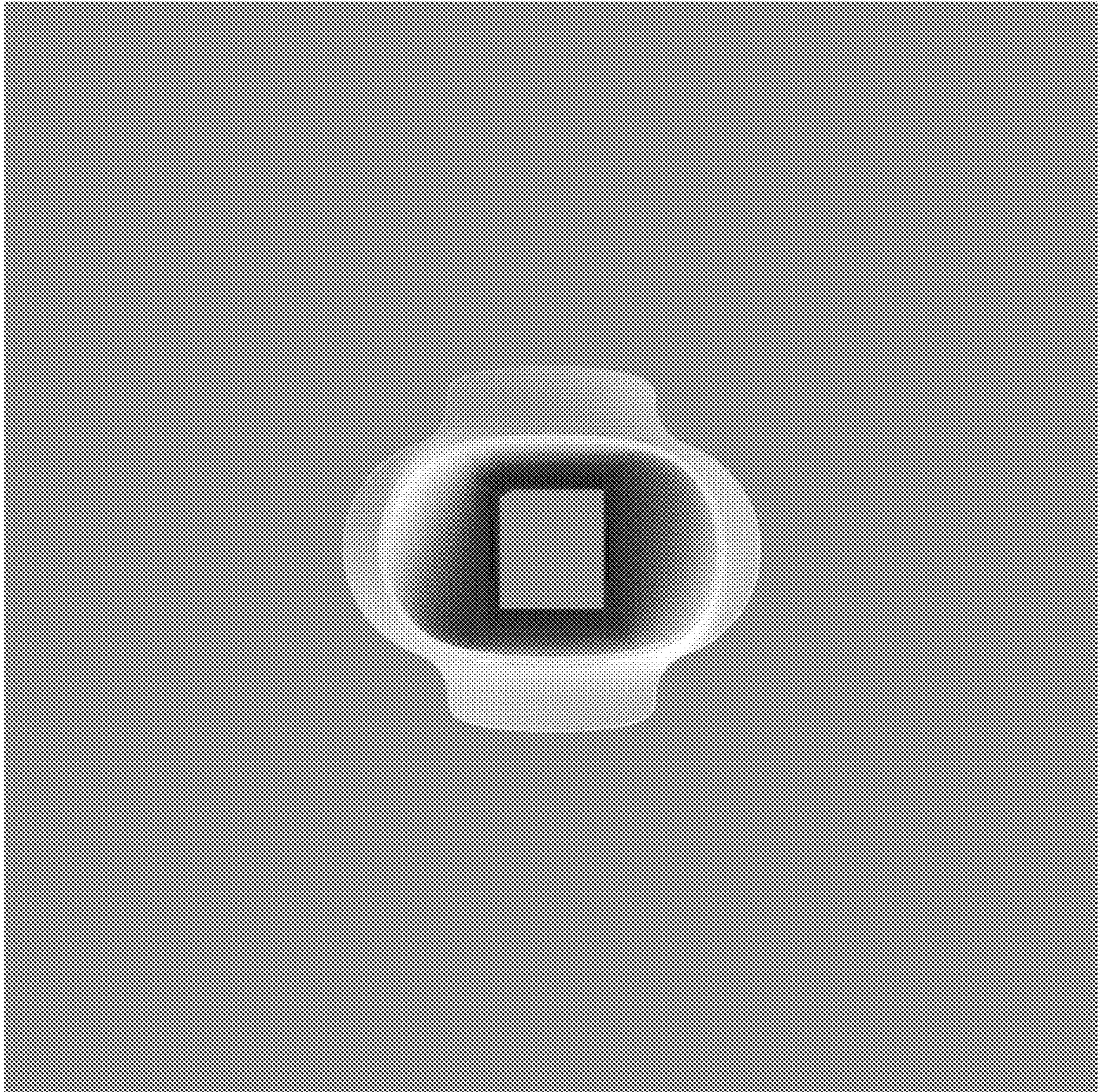
1 Claim, 14 Drawing Sheets



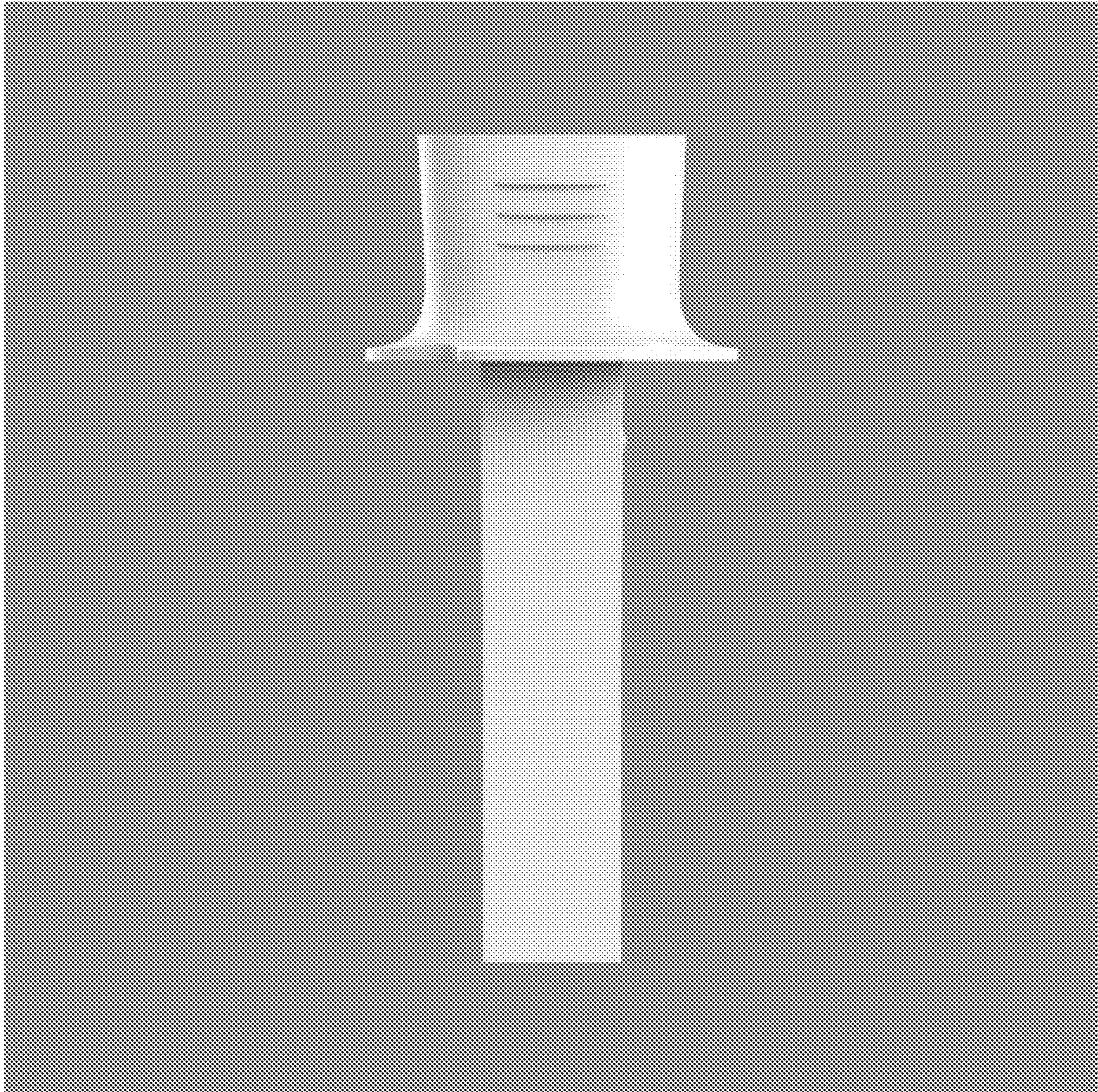
1.1



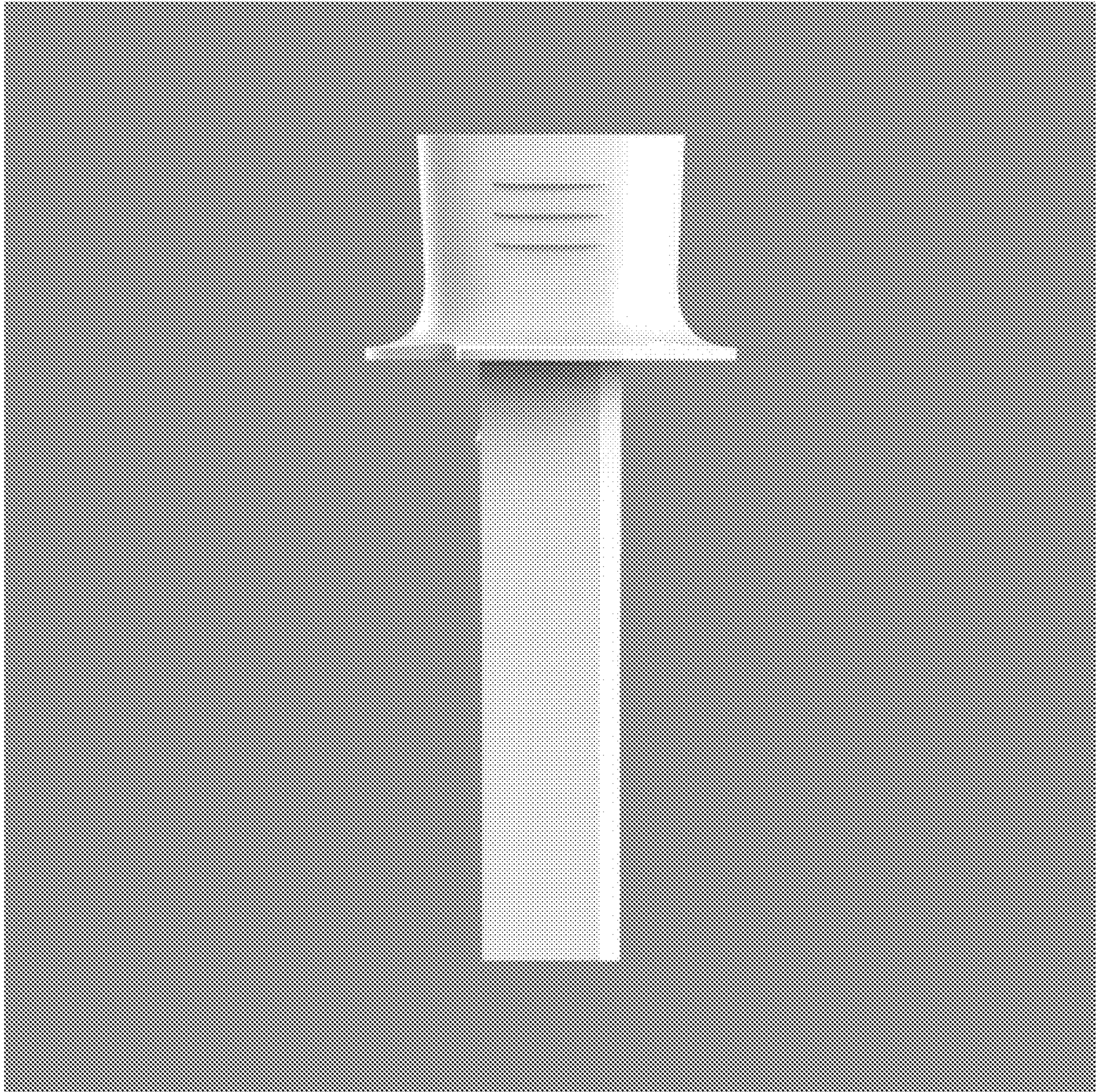
1.2



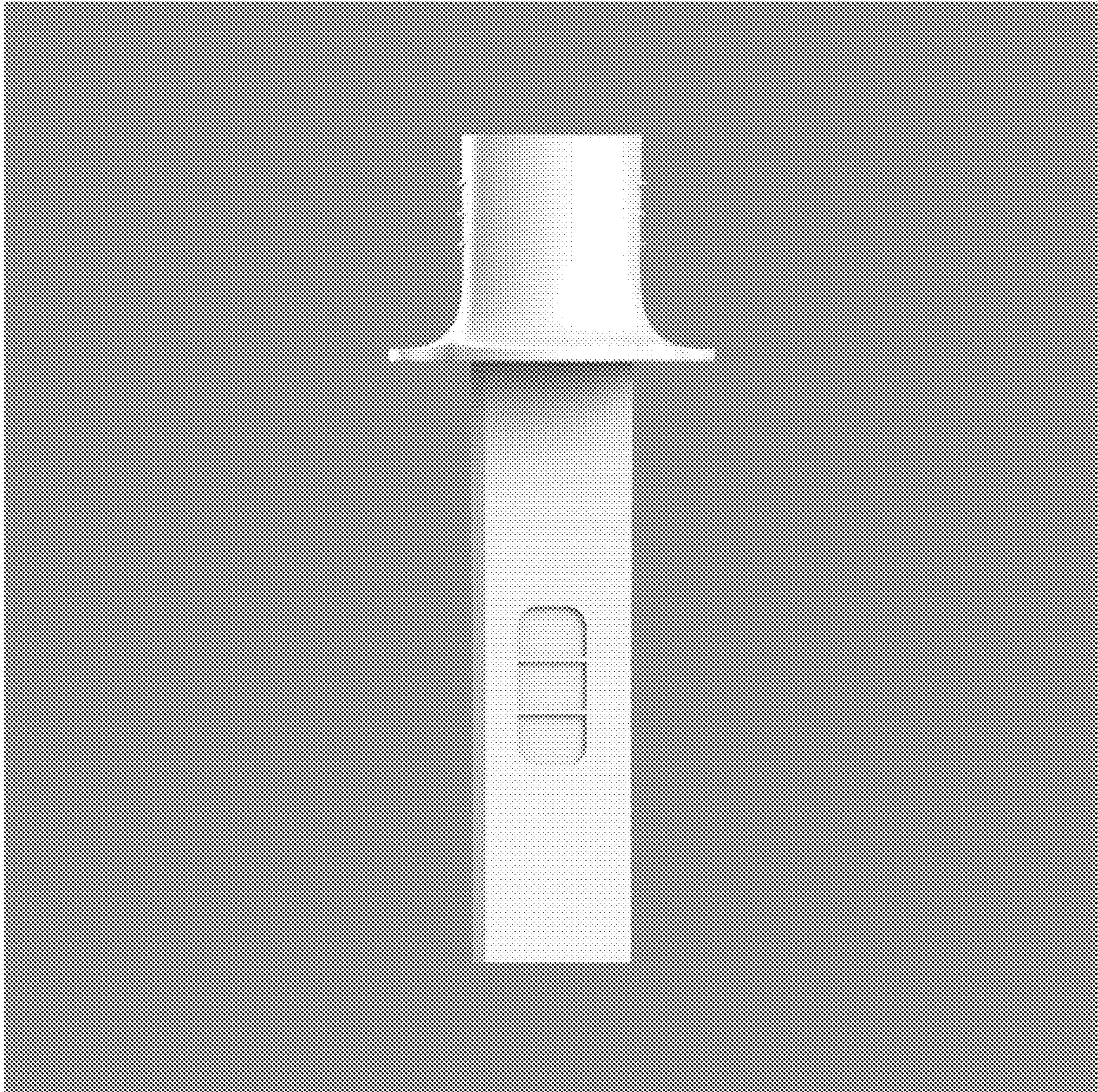
1.3



1.4



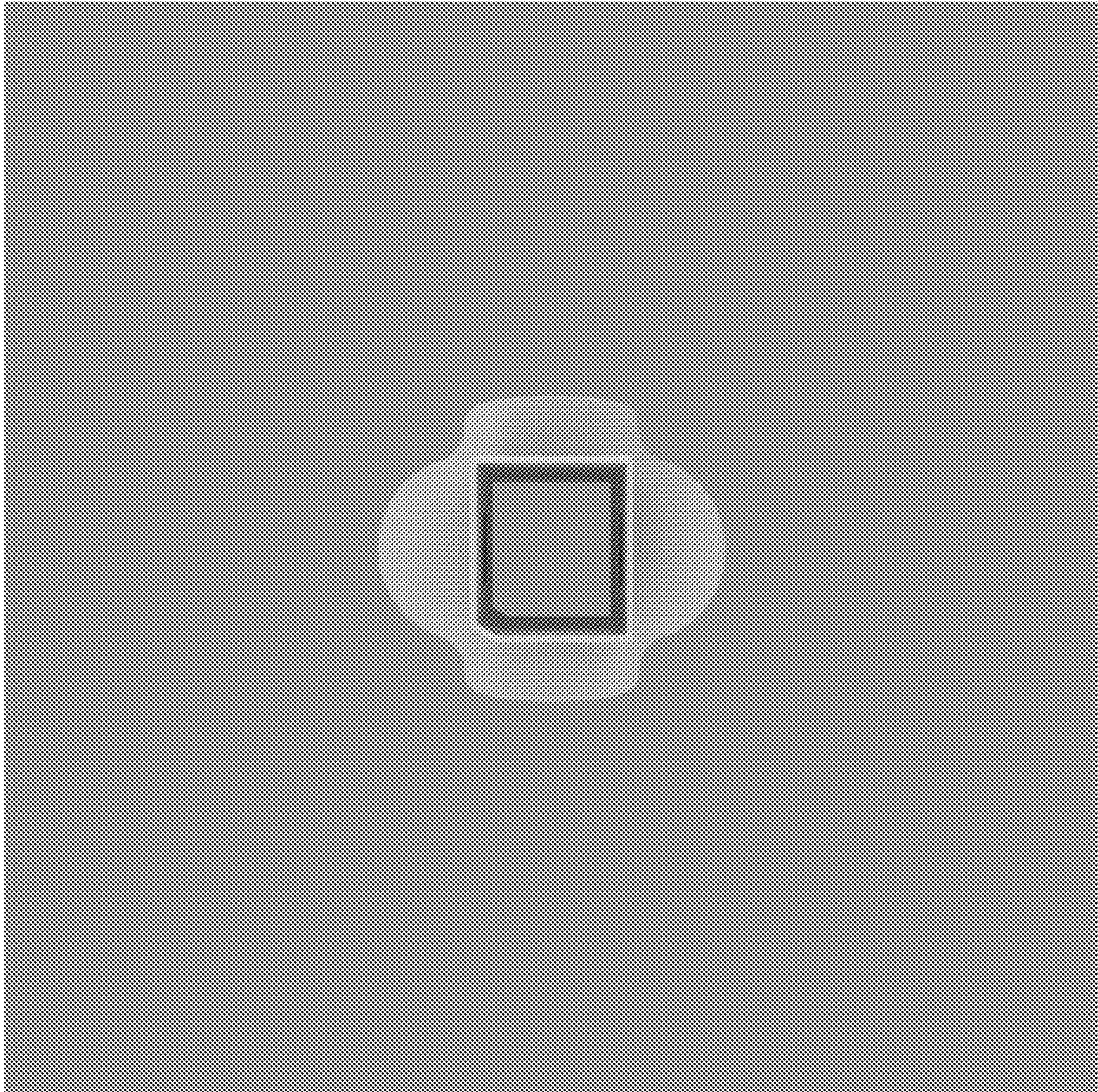
1.5



1.6



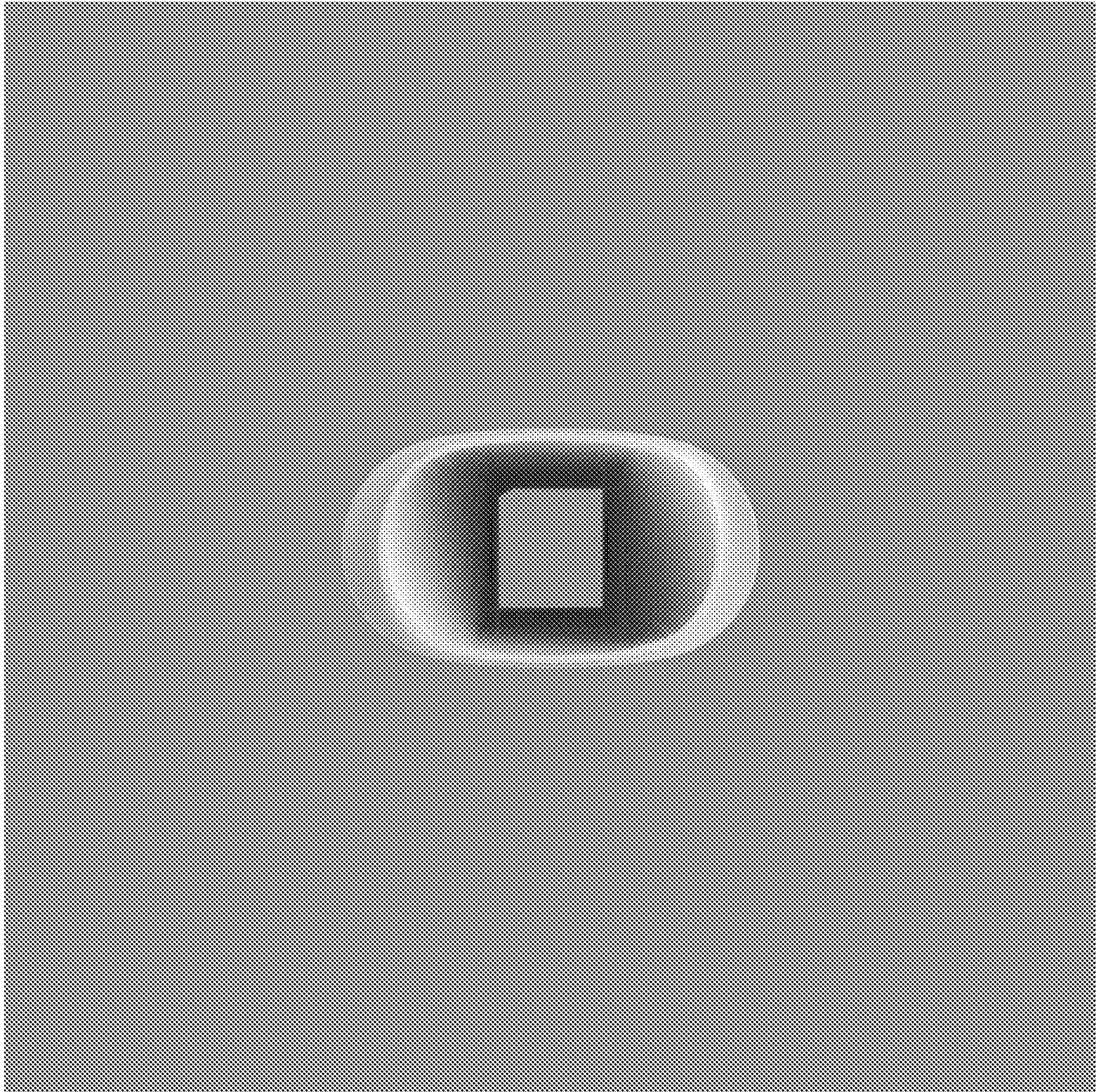
1.7



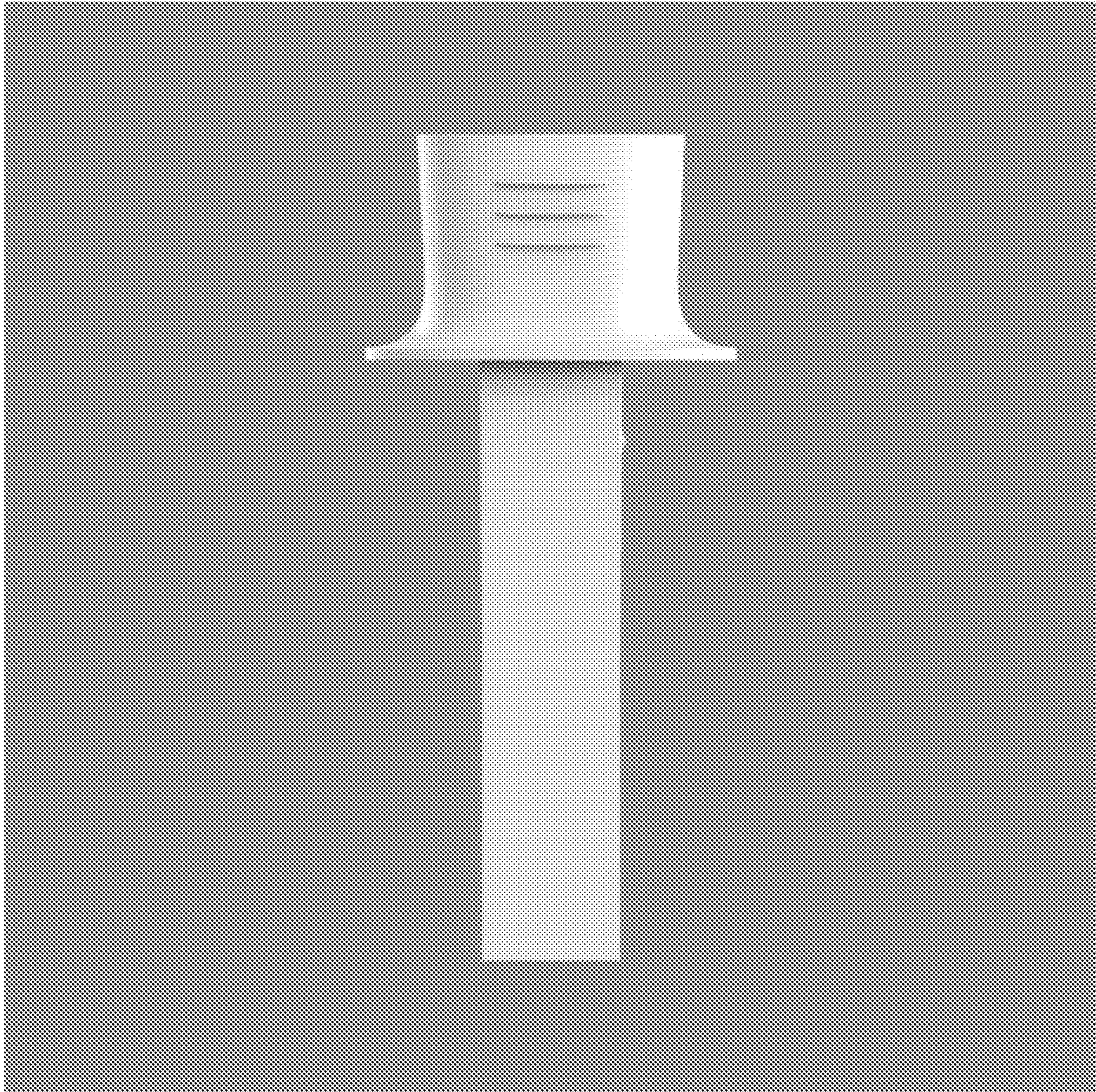
2.1



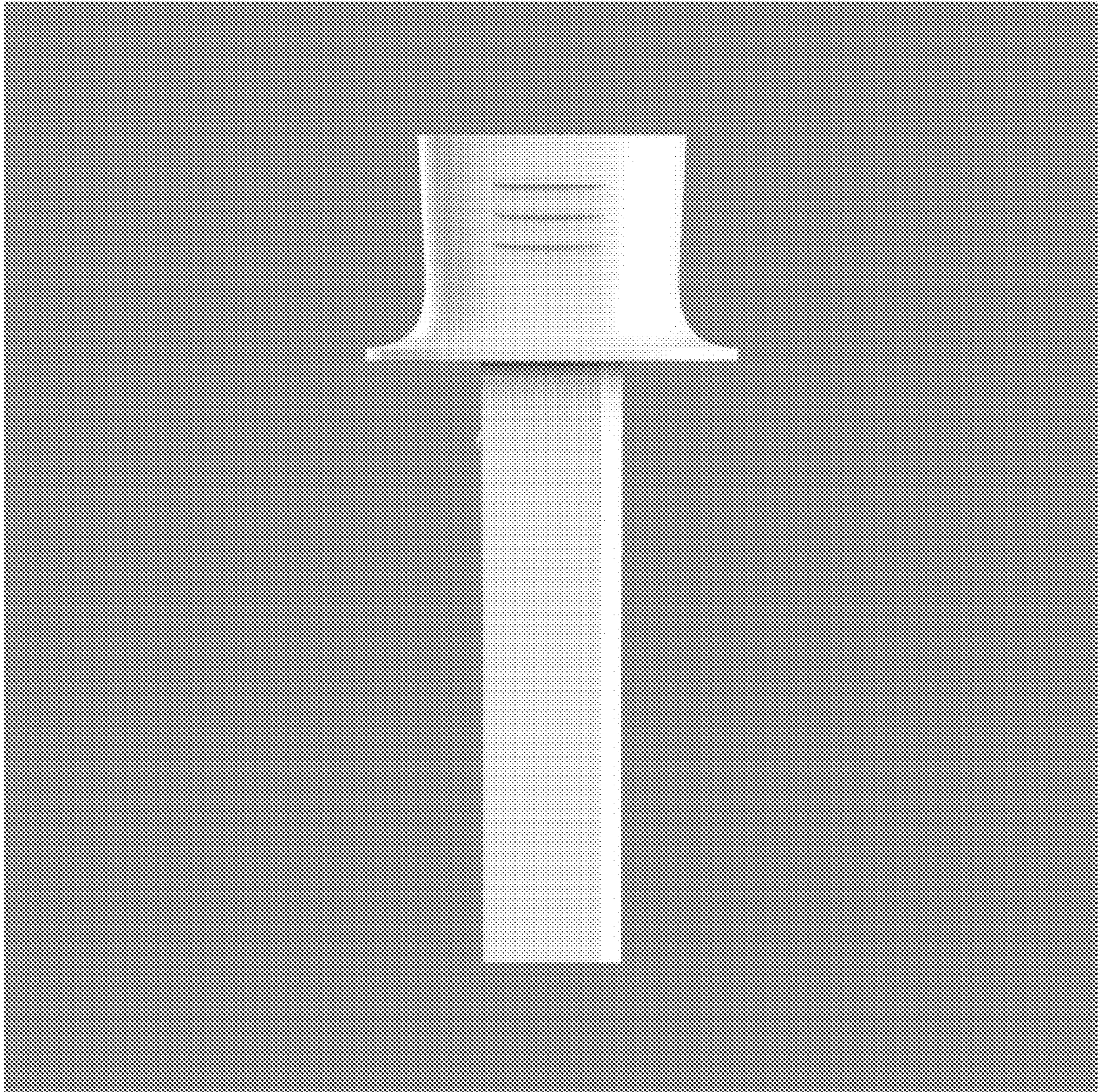
2.2



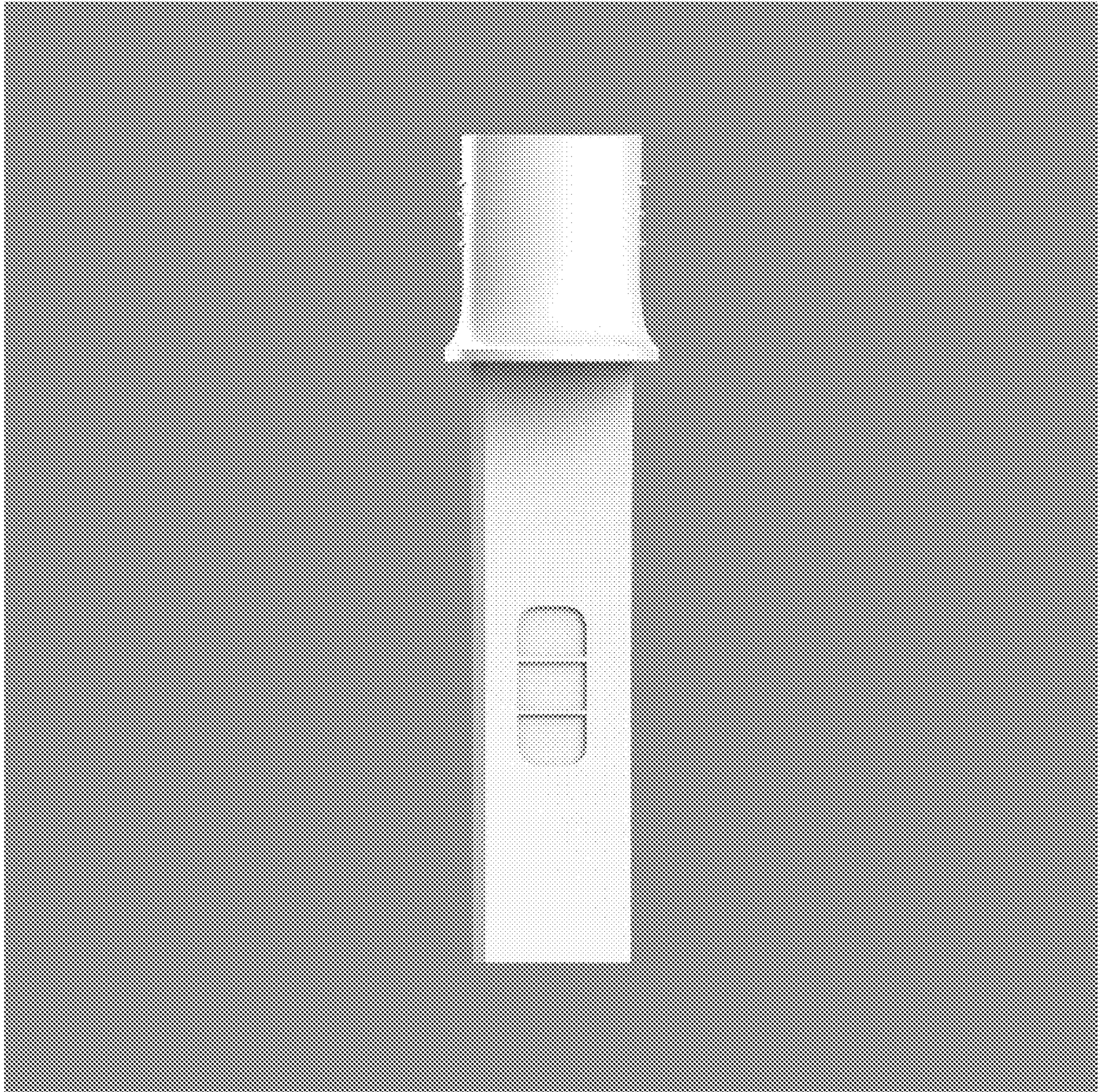
2.3



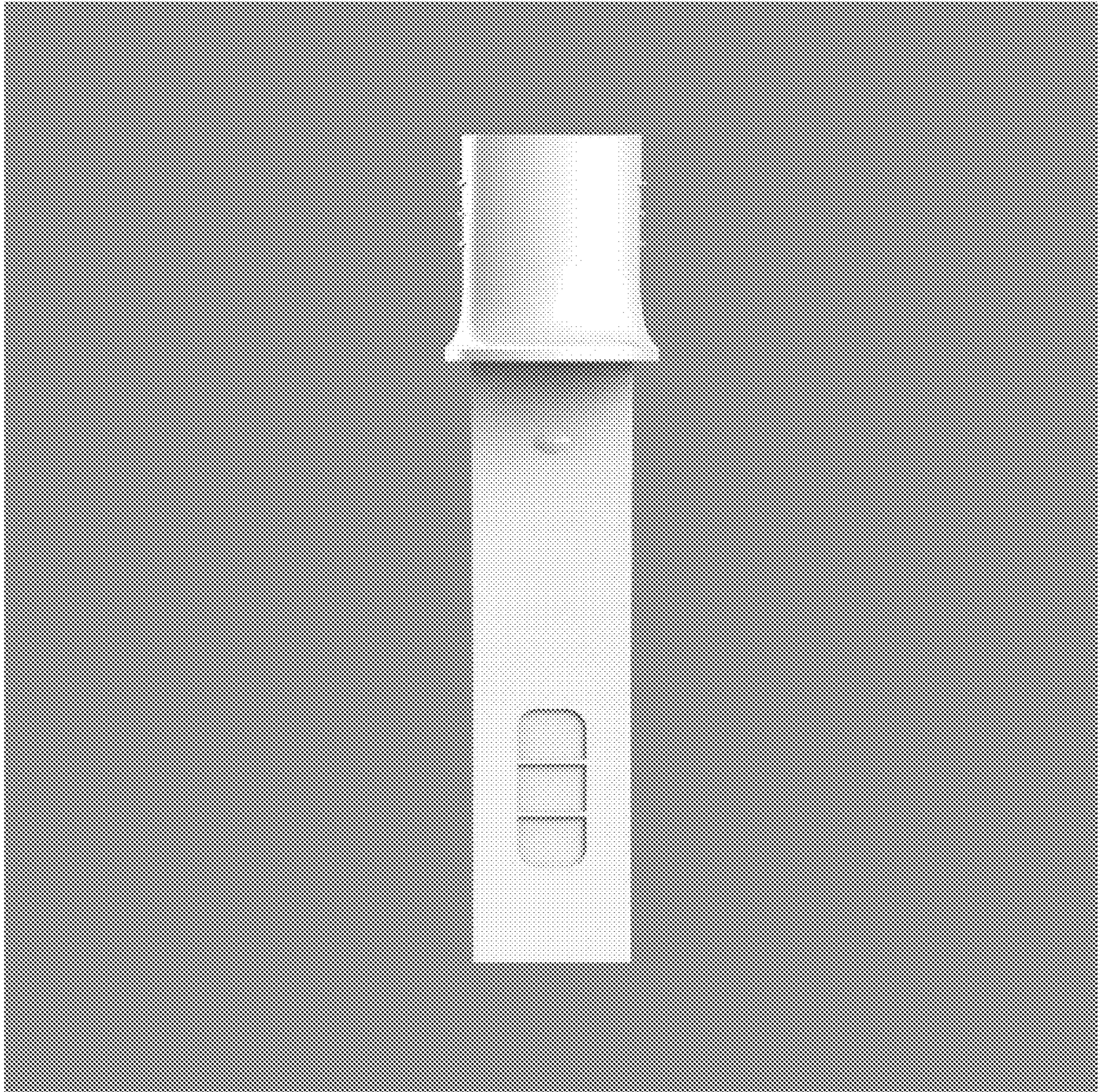
2.4



2.5



2.6



2.7

