



US00D916272S

(12) **United States Design Patent**  
**Gajewski**

(10) **Patent No.:** **US D916,272 S**

(45) **Date of Patent:** **\*\* Apr. 13, 2021**

- (54) **CEILING FAN BLADE**
- (71) Applicant: **Minka Lighting, Inc.**, Corona, CA  
(US)
- (72) Inventor: **Mark Gajewski**, Avila Beach, CA (US)
- (73) Assignee: **Minka Lighting, Inc.**, Corona, CA  
(US)
- (\*\*) Term: **15 Years**
- (21) Appl. No.: **29/654,070**
- (22) Filed: **Jun. 20, 2018**
- (51) **LOC (13) Cl.** ..... **23-03**
- (52) **U.S. Cl.**  
USPC ..... **D23/413**
- (58) **Field of Classification Search**  
USPC ..... D23/370-385, 411-414; D12/214  
CPC ..... F04D 25/088; F04D 29/38; F04D 29/384;  
F04D 29/386; F21V 33/0096  
See application file for complete search history.

D721,430 S *	1/2015	Schulzman	.....	D23/377
D773,030 S *	11/2016	Puerto	.....	D23/377
D780,902 S *	3/2017	Gajewski	.....	D23/377
9,605,685 B2 *	3/2017	Wang	.....	F04D 29/34
D818,572 S *	5/2018	Gajewski	.....	D23/377
D819,799 S *	6/2018	Wang	.....	D23/377
D851,233 S *	6/2019	Gajewski	.....	D23/377
2013/0100649 A1 *	4/2013	Holder	.....	A41G 1/00 362/122

\* cited by examiner

*Primary Examiner* — Cathron C Brooks

*Assistant Examiner* — Sharon S Oum

(74) *Attorney, Agent, or Firm* — Seyfarth Shaw LLP

(57) **CLAIM**

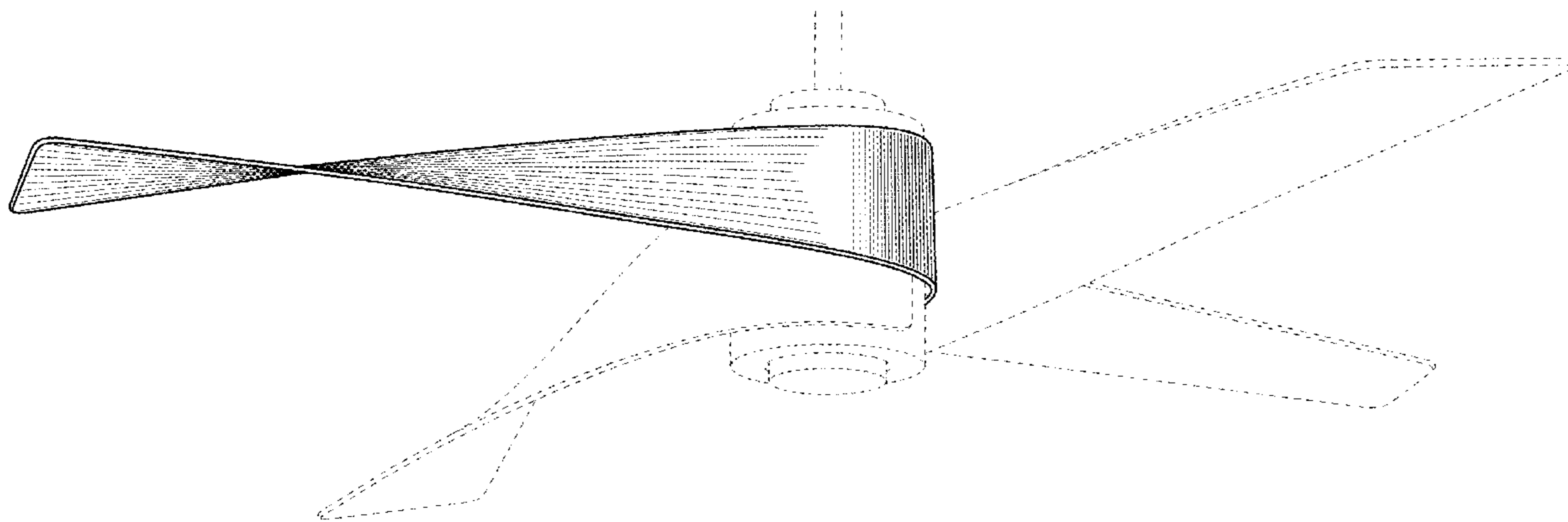
The ornamental design for a ceiling fan blade, as shown and described.

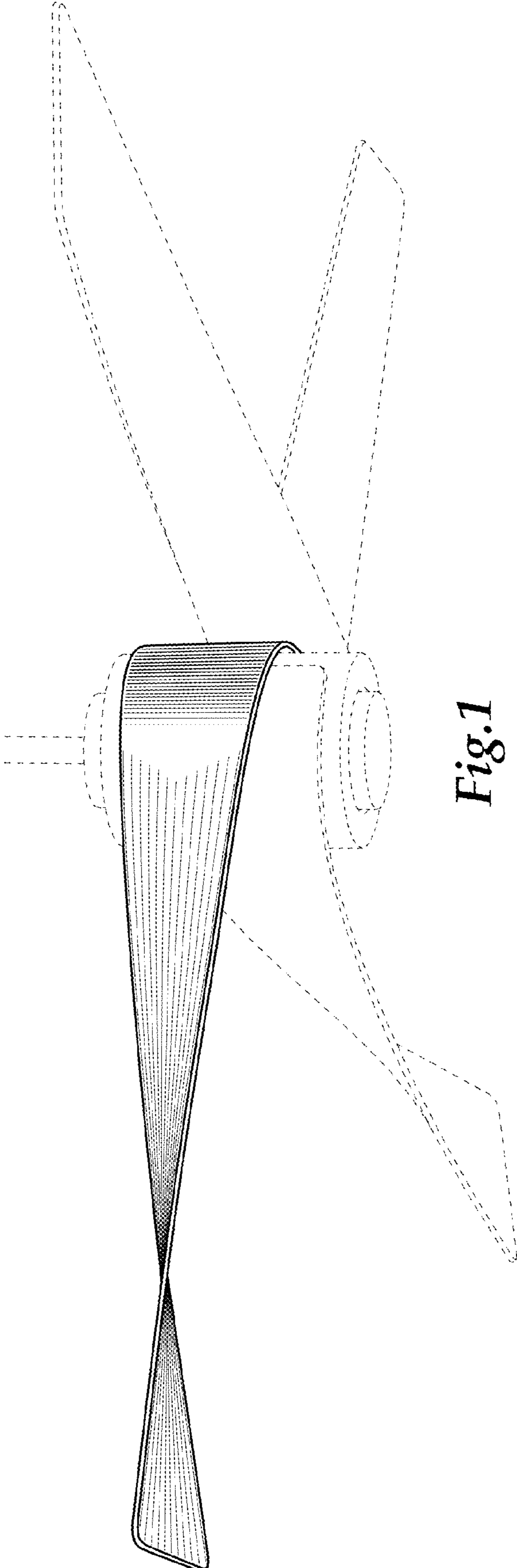
**DESCRIPTION**

FIG. 1 is a perspective view of a ceiling fan blade in accordance with my design;  
 FIG. 2 is a top plan view thereof;  
 FIG. 3 is a bottom plan view thereof;  
 FIG. 4 is a left elevation view thereof;  
 FIG. 5 is a right elevation view thereof;  
 FIG. 6 is a front elevation view thereof; and,  
 FIG. 7 is a rear elevation view thereof.  
 The broken lines illustrate the environment and portions of the ceiling fan blade. None of the broken lines form part of the claimed design.

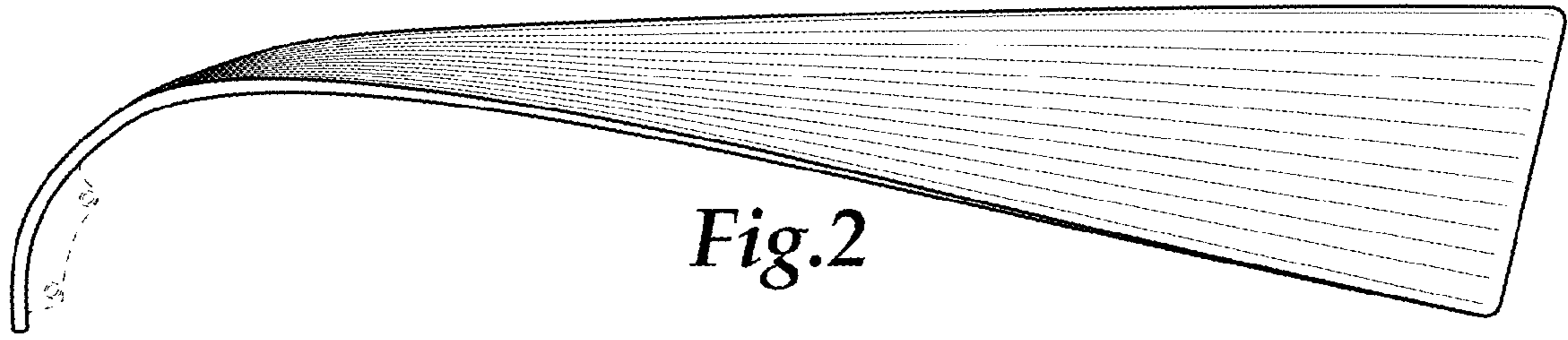
**1 Claim, 2 Drawing Sheets**

- (56) **References Cited**  
U.S. PATENT DOCUMENTS
- |                |         |          |       |                          |
|----------------|---------|----------|-------|--------------------------|
| D535,388 S *   | 1/2007  | Gajewski | ..... | D23/413                  |
| D536,083 S *   | 1/2007  | Gajewski | ..... | D23/377                  |
| 7,481,626 B2 * | 1/2009  | Gajewski | ..... | F04D 25/088<br>416/220 A |
| D671,203 S *   | 11/2012 | Wang     | ..... | D23/377                  |
| D679,850 S *   | 4/2013  | Smith    | ..... | D26/118                  |
| D716,438 S *   | 10/2014 | Liu      | ..... | D23/377                  |

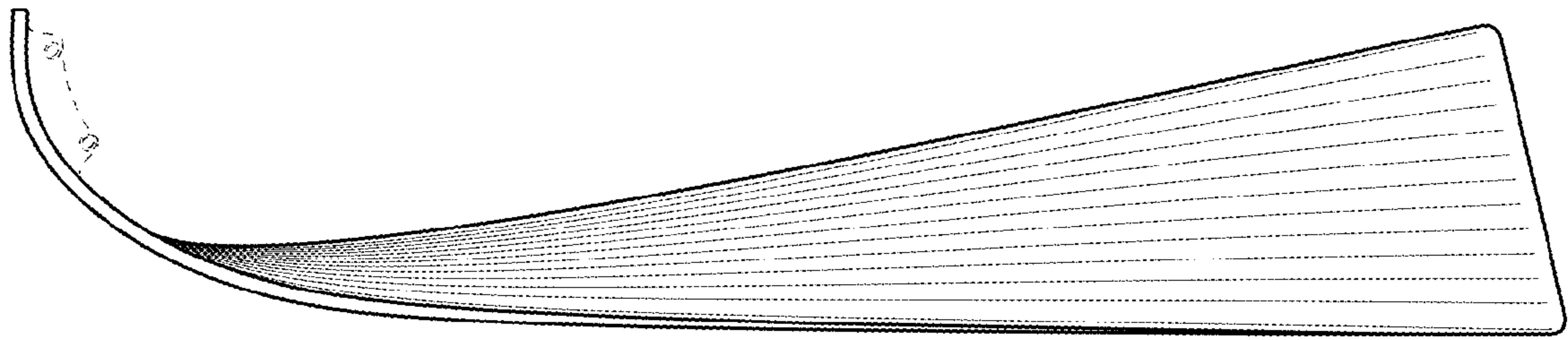




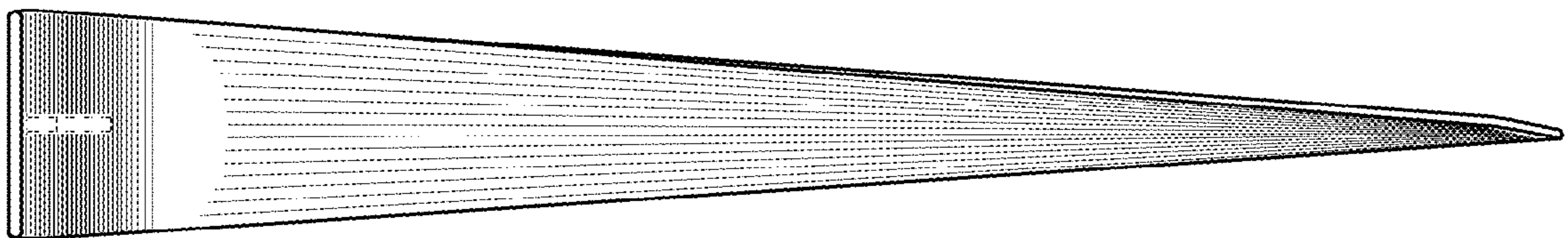
*Fig. 1*



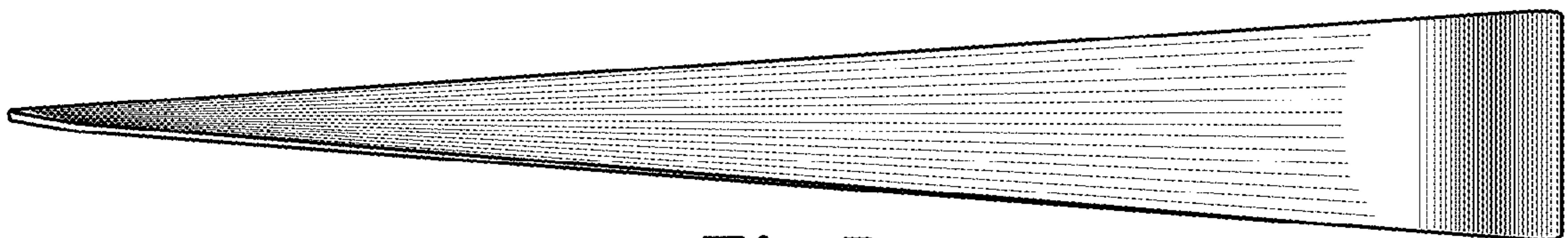
*Fig. 2*



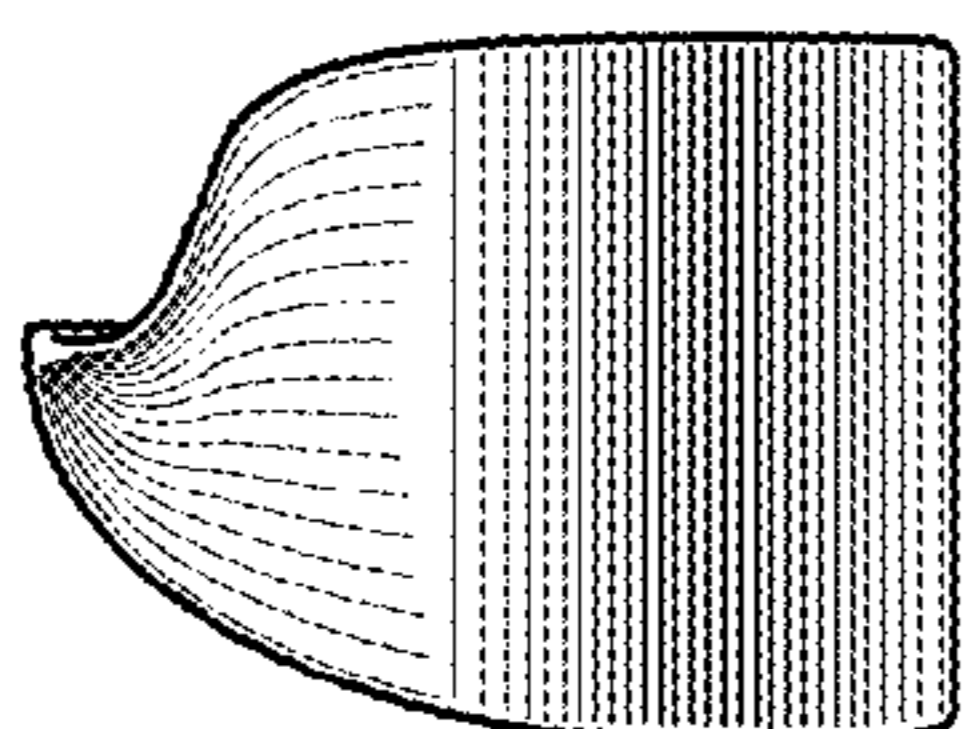
*Fig. 3*



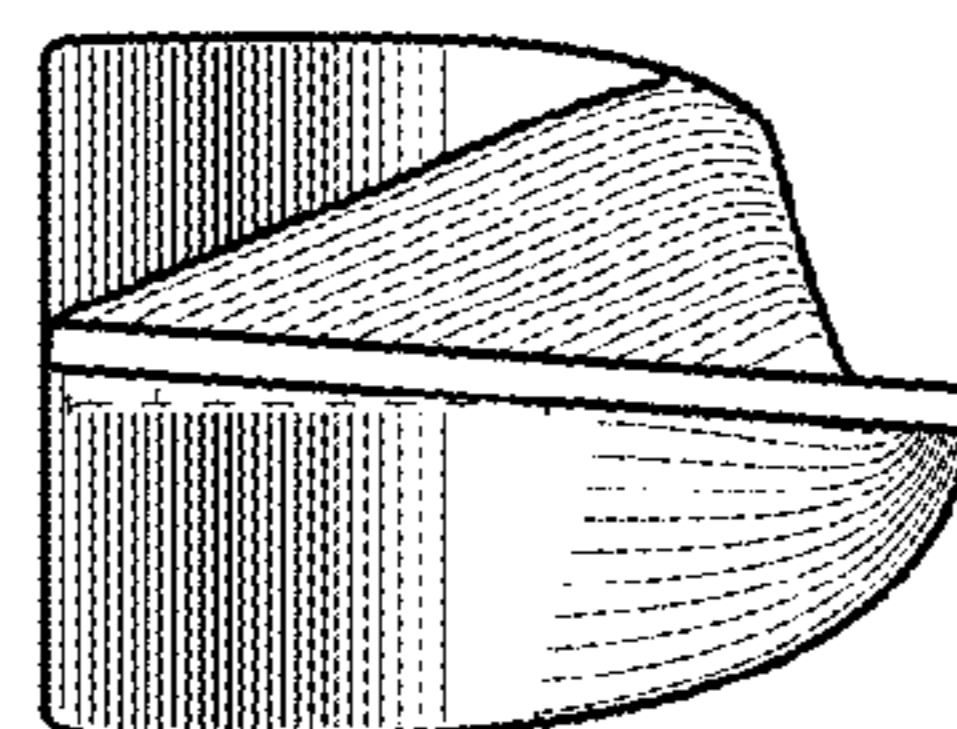
*Fig. 4*



*Fig. 5*



*Fig. 6*



*Fig. 7*