



US00D916270S

(12) **United States Design Patent**  
**Hamazaki**

(10) **Patent No.:** **US D916,270 S**  
(45) **Date of Patent:** **\*\* Apr. 13, 2021**

(54) **AIR CIRCULATOR**

(71) Applicant: **Iris Ohyama Inc.**, Sendai (JP)

(72) Inventor: **Yuna Hamazaki**, Kakuda (JP)

(73) Assignee: **IRIS OHYAMA INC.**, Sendai (JP)

(\*\*) Term: **15 Years**

(21) Appl. No.: **29/695,572**

(22) Filed: **Jun. 20, 2019**

(30) **Foreign Application Priority Data**

Apr. 19, 2019 (JP) ..... 2019-008757

(51) **LOC (13) Cl.** ..... **23-03**

(52) **U.S. Cl.**

USPC ..... **D23/412**; D23/382

(58) **Field of Classification Search**

USPC ..... D23/332, 333, 335-337, 364, 370, 378,  
D23/379, 381-383, 380, 411-412

CPC ..... F24H 3/0417; F04D 29/48; F04D 25/08;  
F04D 29/38; F04D 29/384; F04D 29/386

See application file for complete search history.

(56) **References Cited**

**U.S. PATENT DOCUMENTS**

- RE34,551 E \* 2/1994 Coup ..... F04D 29/703  
415/121.2
- D354,558 S \* 1/1995 Marvin ..... D23/332
- D398,983 S \* 9/1998 Keller ..... D23/381
- D440,648 S \* 4/2001 Lee ..... D23/382
- D447,552 S \* 9/2001 Lee ..... D23/382
- D457,618 S \* 5/2002 Lee ..... D23/382
- D537,514 S \* 2/2007 Chiang ..... D23/380
- D539,402 S \* 3/2007 Blateri ..... D23/336
- D605,280 S \* 12/2009 Chen ..... D23/382
- D680,211 S \* 4/2013 Birdsell ..... D23/378
- D692,996 S \* 11/2013 Alexander ..... D23/370
- D760,370 S \* 6/2016 Herbst ..... D23/411
- D817,473 S \* 5/2018 Liu ..... D23/382
- D872,253 S \* 1/2020 Sakamoto ..... D23/382

- D872,254 S \* 1/2020 Sakamoto ..... D23/382
- 2013/0309111 A1 \* 11/2013 Mizuno ..... F04D 29/526  
417/423.14
- 2020/0208871 A1 \* 7/2020 Yamamoto ..... F24F 7/007

**FOREIGN PATENT DOCUMENTS**

CN 304700330 S 6/2018

**OTHER PUBLICATIONS**

Iris Ohyama Inc., website publication, (Japan Patent Office Design Patent Department, publicly known reference No. HJ31051088). An Office Action; "Notice of Allowance", issued by the Japanese Patent Office dated Jan. 28, 2020, which corresponds to Japanese Design Application No. 2019-008757 with English language concise explanation.

\* cited by examiner

*Primary Examiner* — Cathron C Brooks

*Assistant Examiner* — Sharon S Oum

(74) *Attorney, Agent, or Firm* — Studebaker & Brackett PC

(57) **CLAIM**

The ornamental design for an air circulator, as shown and described.

**DESCRIPTION**

FIG. 1 is a front, top and right-side perspective view of an air circulator showing my new design; FIG. 2 is a front view thereof; FIG. 3 is a rear view thereof; FIG. 4 is a top view thereof; FIG. 5 is a bottom view thereof; FIG. 6 is a right-side view thereof; FIG. 7 is a left-side view thereof; and, FIG. 8 is a rear, top and left-side perspective view thereof. The broken lines illustrate portions of the air circulator and form no part of the claimed design.

**1 Claim, 8 Drawing Sheets**

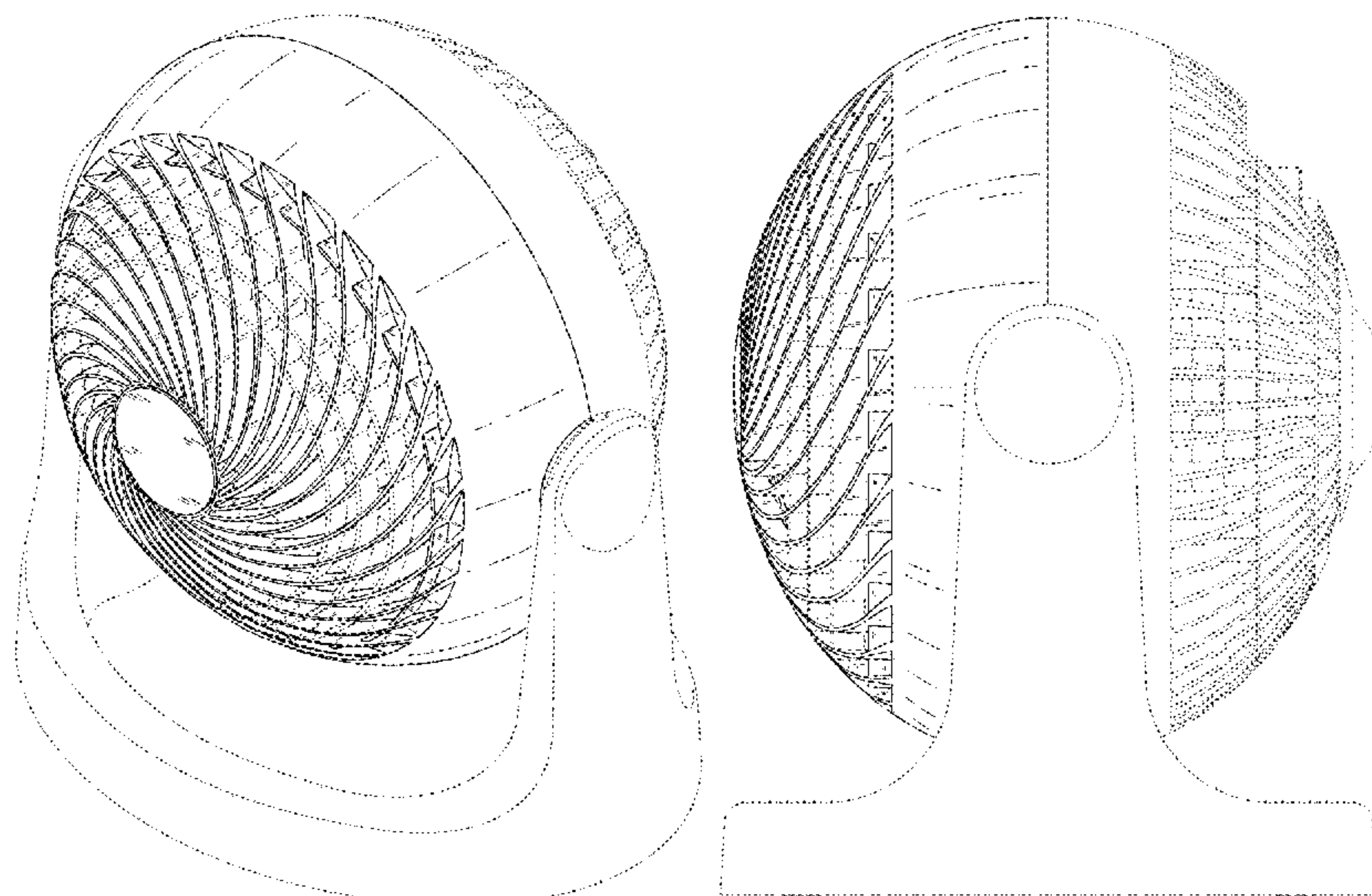


FIG. 1

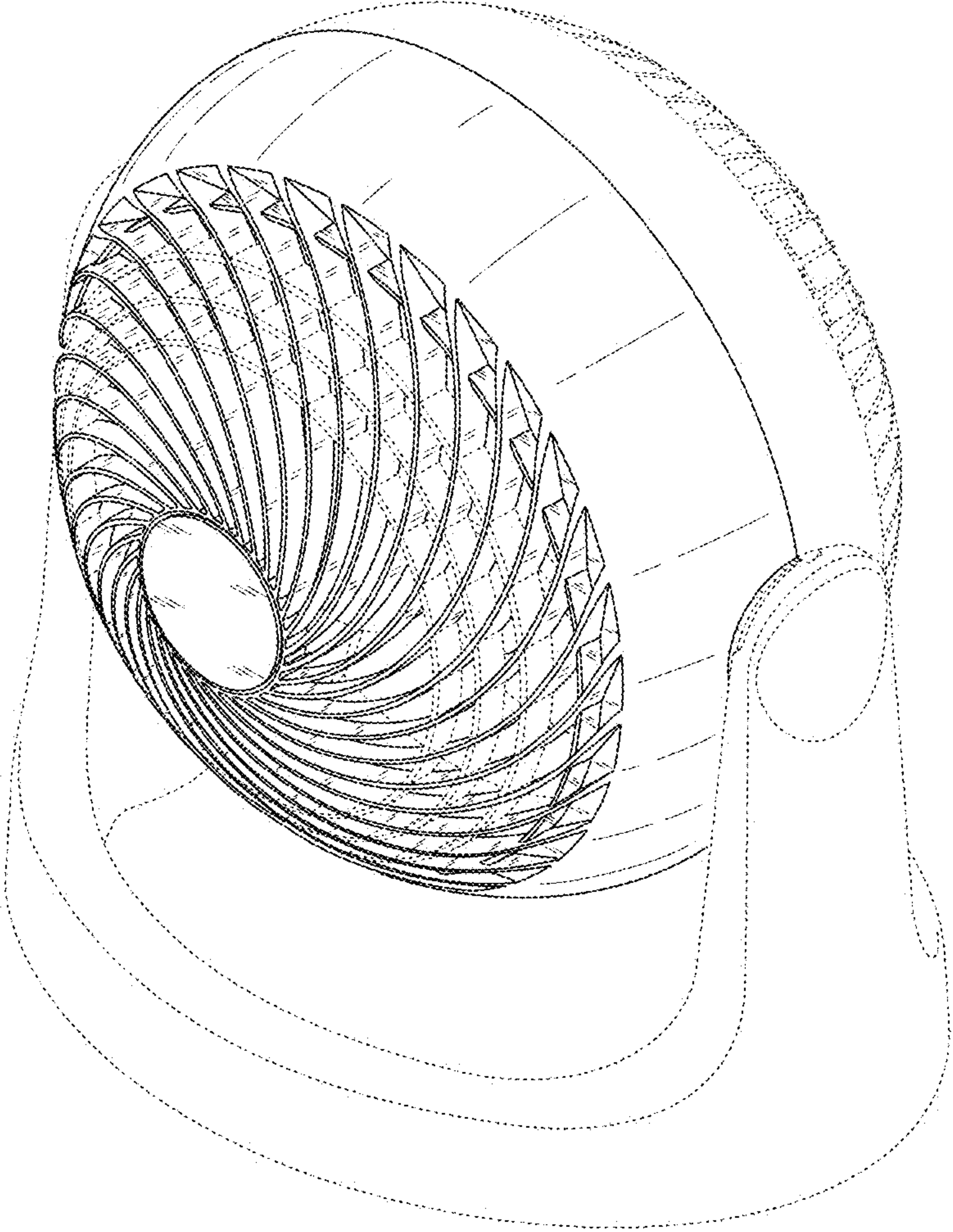




FIG. 2

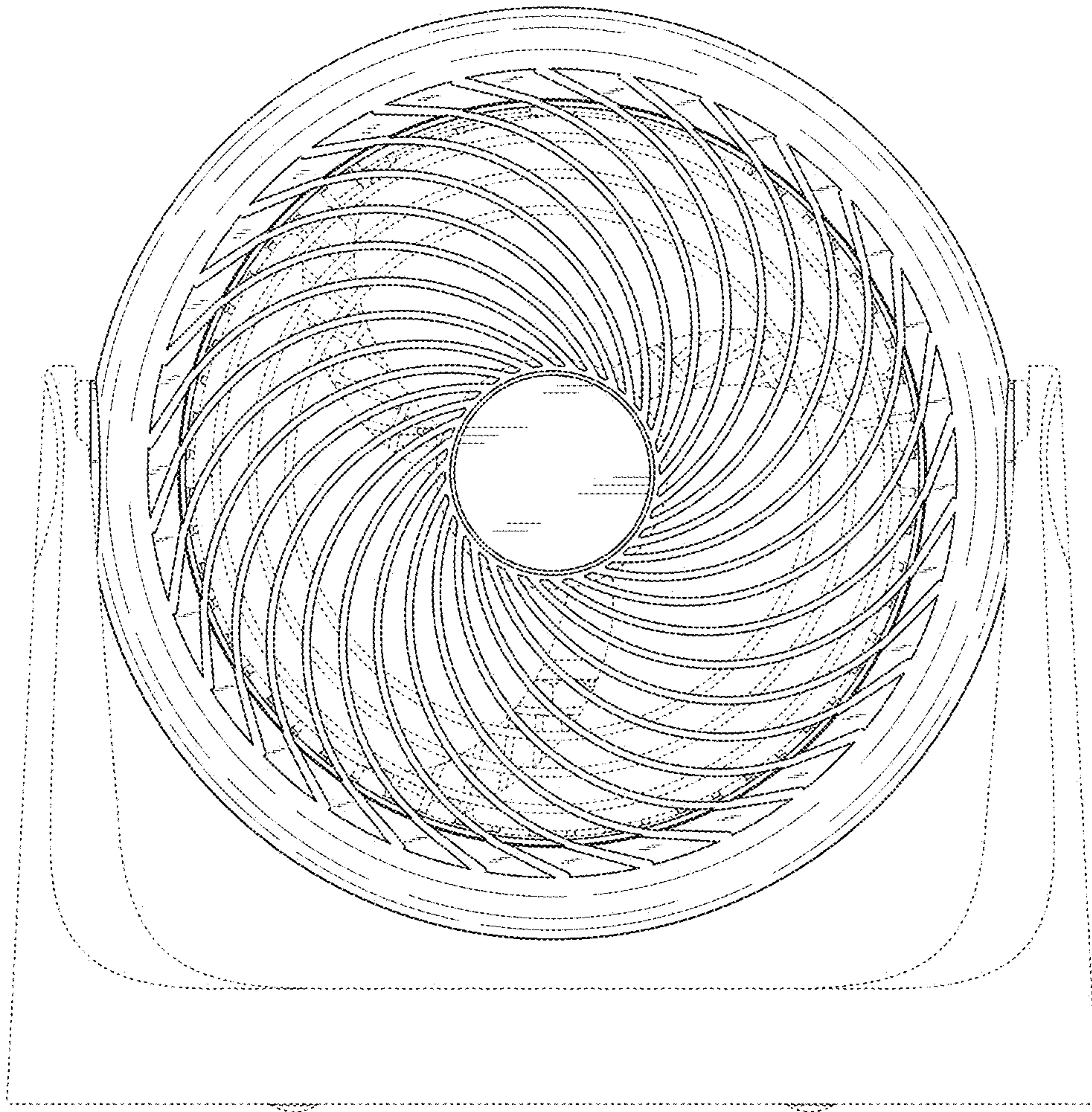


FIG. 3

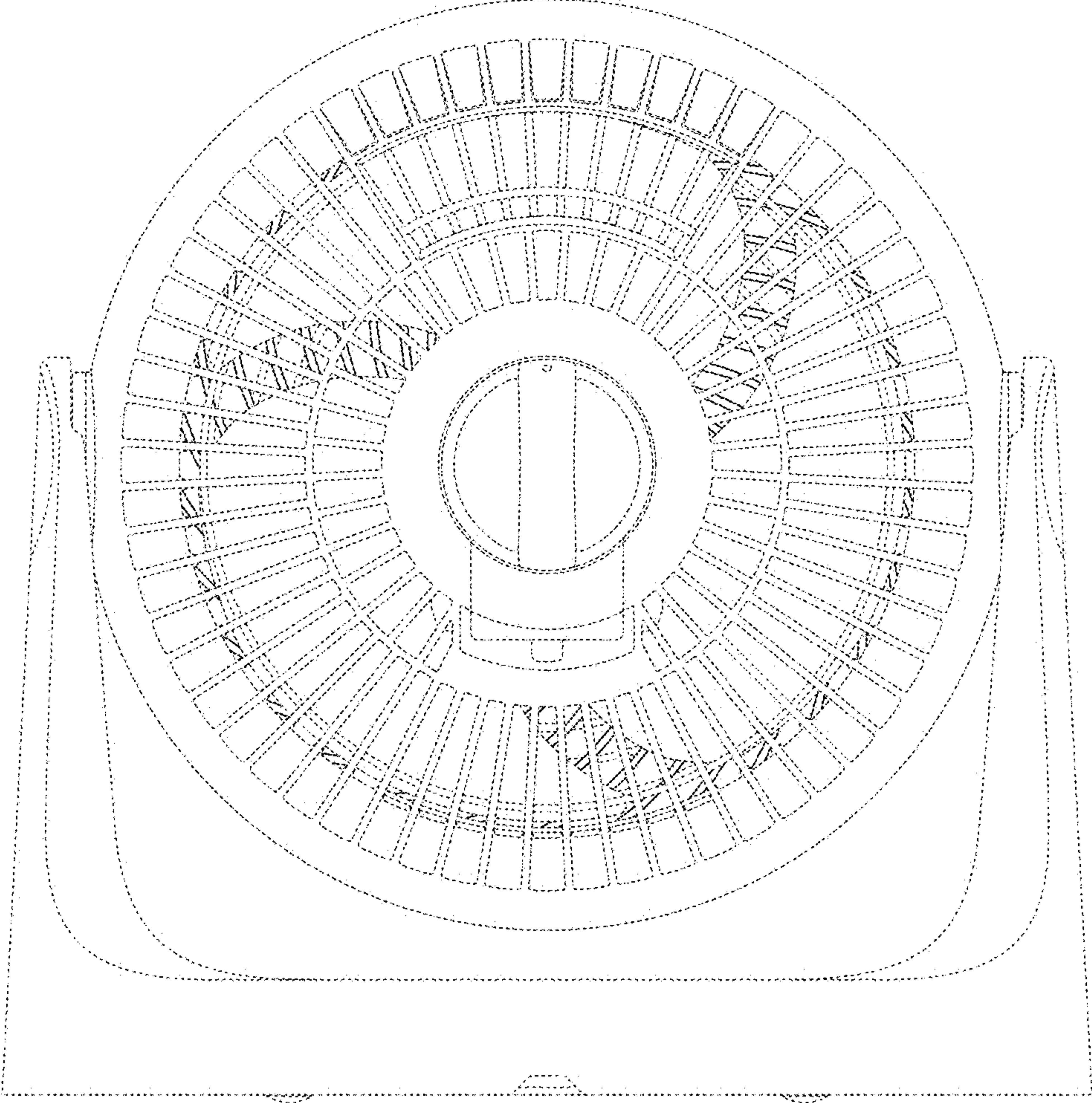


FIG. 4

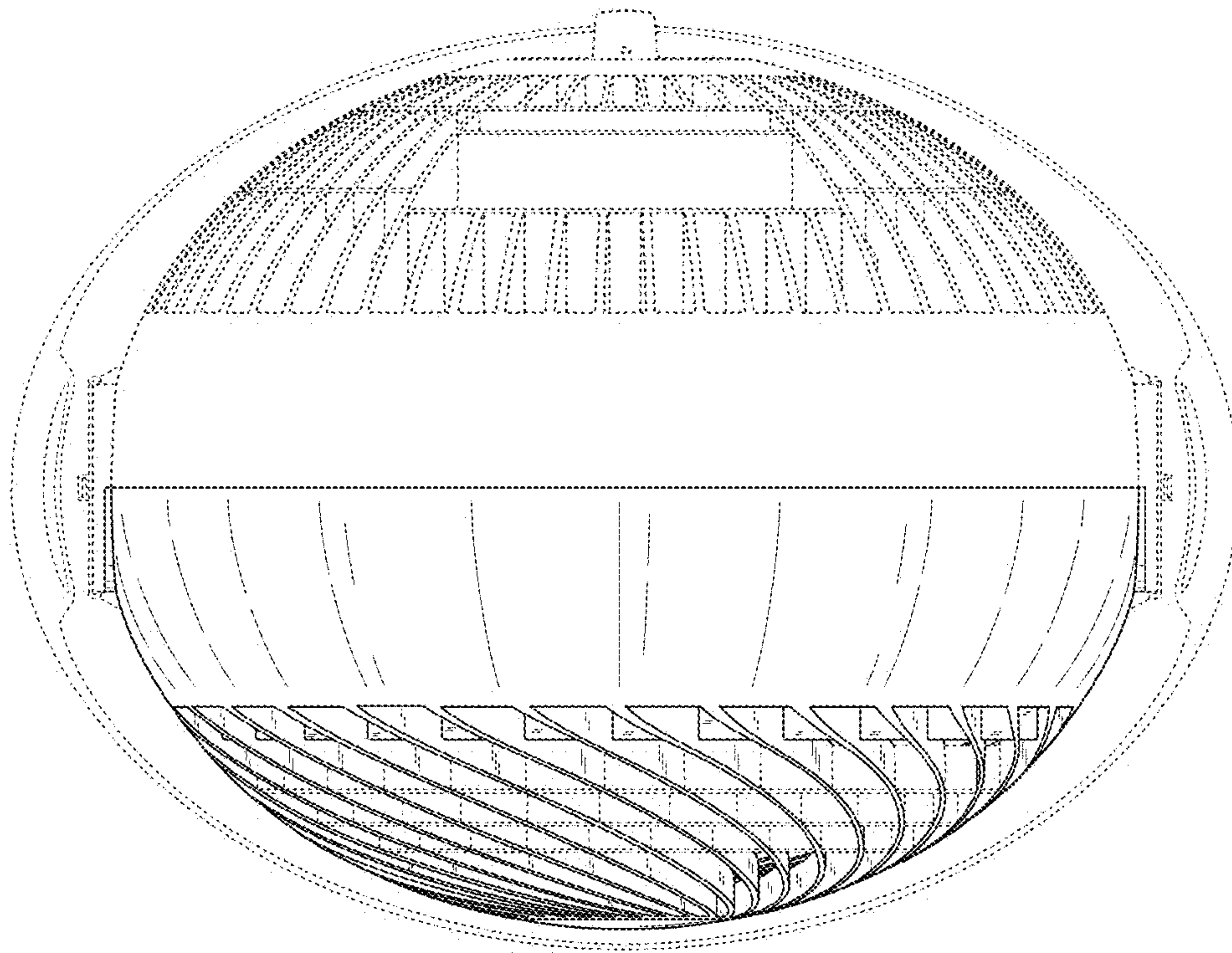




FIG. 5

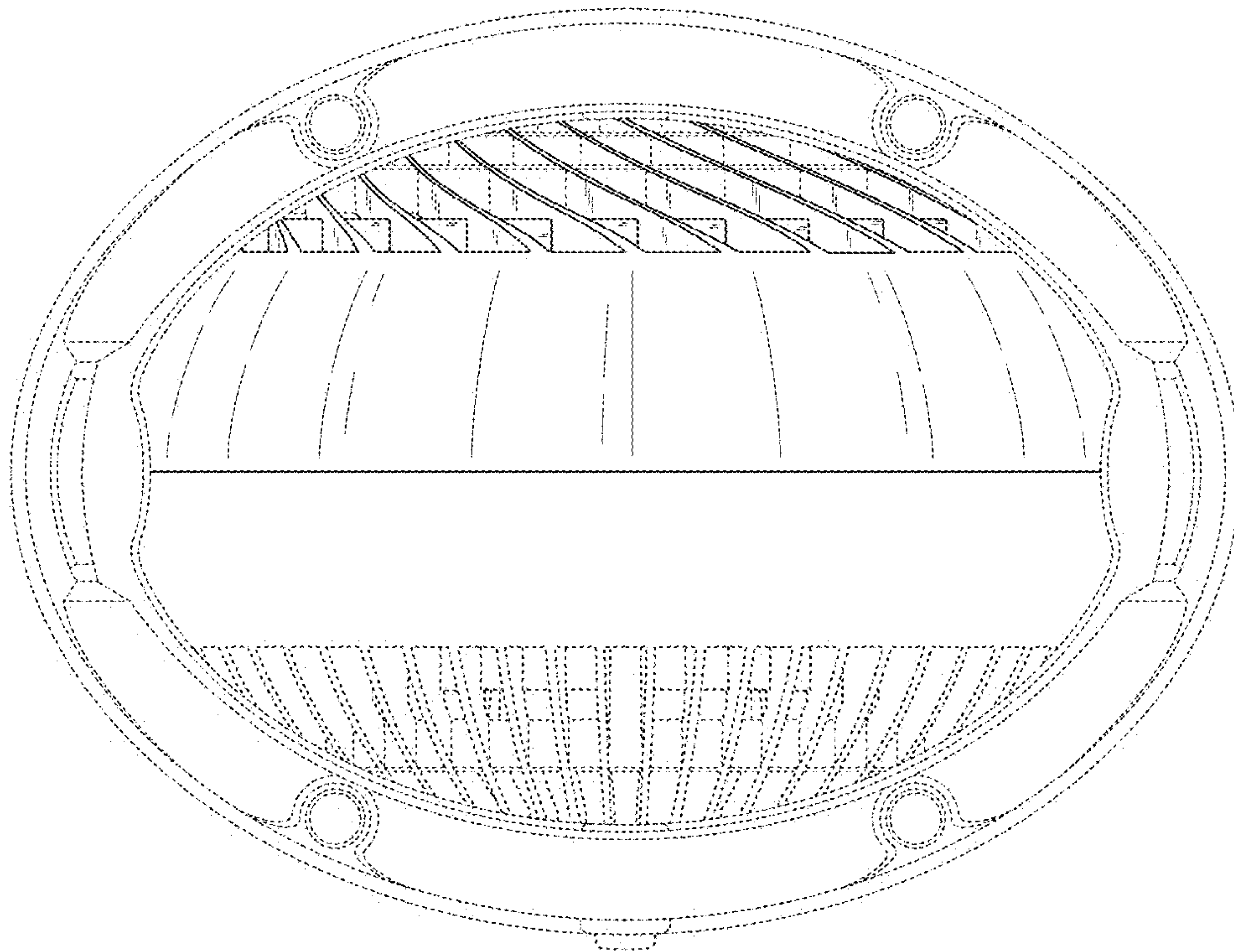


FIG.6

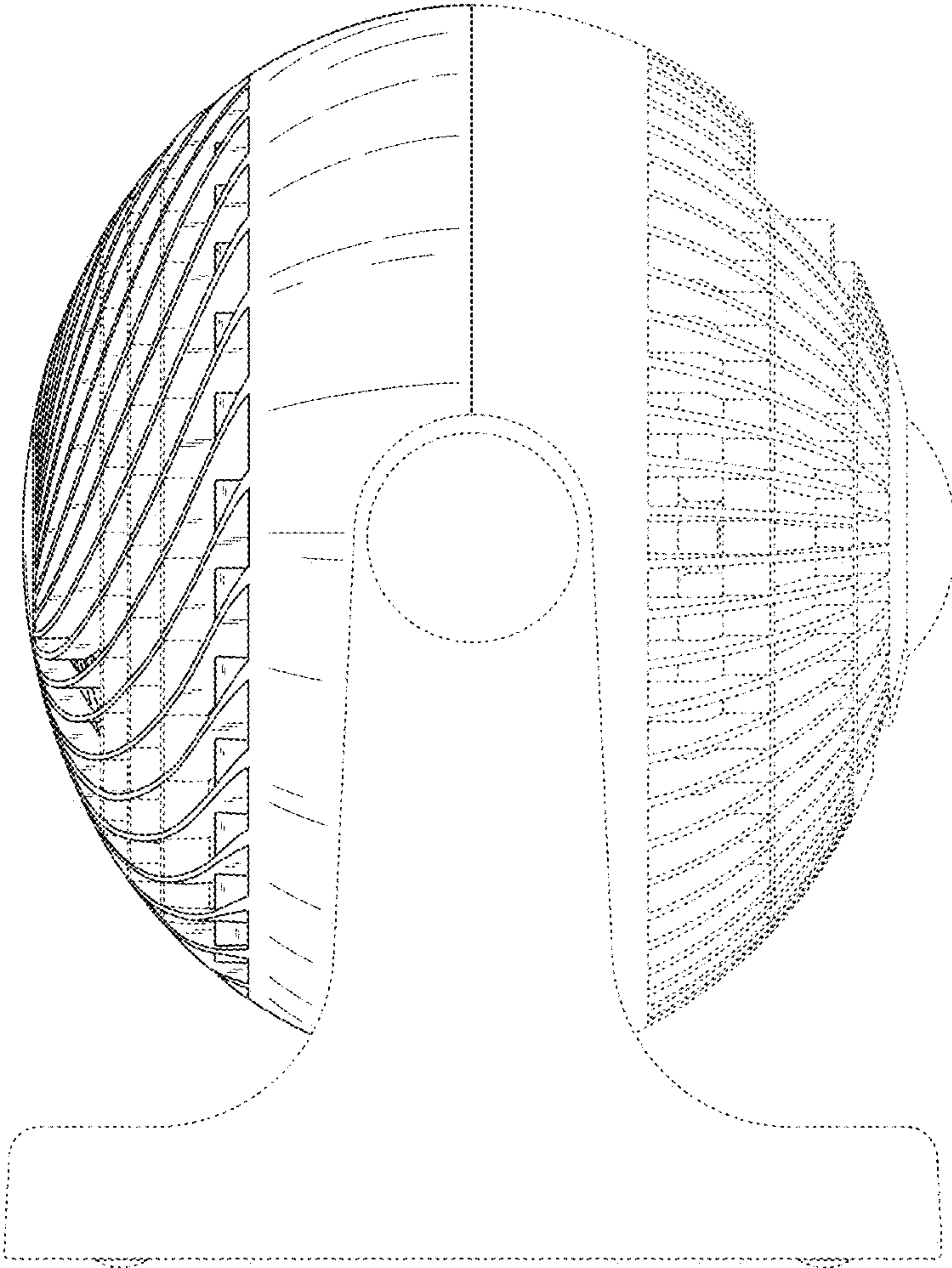


FIG.7

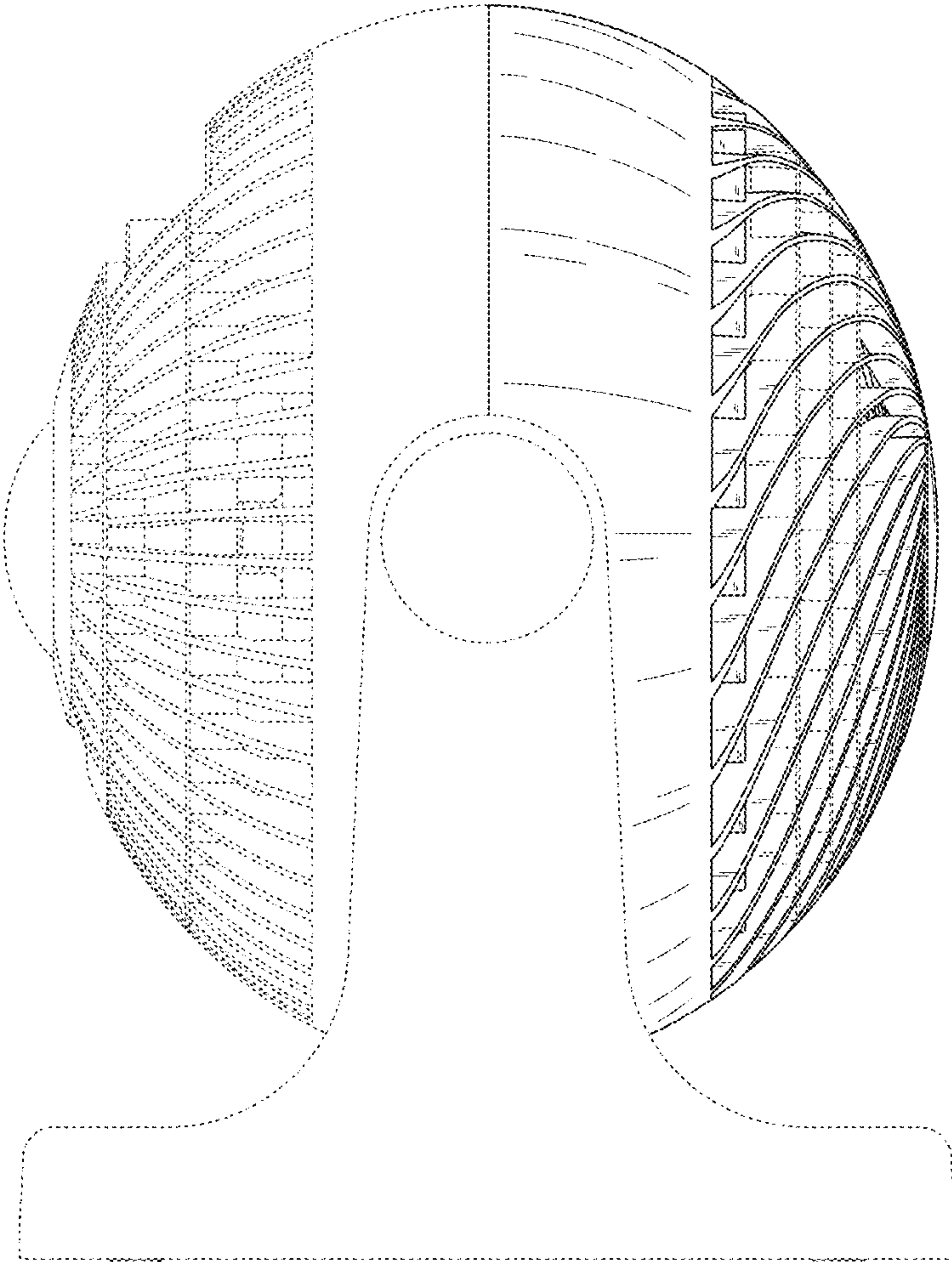




FIG. 8

