



US00D916267S

(12) **United States Design Patent** (10) **Patent No.:** **US D916,267 S**
Chen (45) **Date of Patent:** **** Apr. 13, 2021**

(54) **WAX WARMER**
(71) Applicant: **Li Huang Chen**, Tainan (TW)
(72) Inventor: **Li Huang Chen**, Tainan (TW)
(**) Term: **15 Years**
(21) Appl. No.: **29/743,650**
(22) Filed: **Jul. 23, 2020**
(51) **LOC (13) Cl.** **23-04**
(52) **U.S. Cl.**
USPC **D23/366**
(58) **Field of Classification Search**
USPC D23/201, 208, 355–369, 386; D7/354;
D24/200, 204
CPC A61L 9/02; A61L 9/03; A61L 9/12; A61L
9/035; A61L 9/125
See application file for complete search history.

D880,670 S * 4/2020 Meeker G02B 6/0045
D23/366
D882,745 S * 4/2020 Martouzet D23/364
D882,747 S * 4/2020 Li D23/366
D887,198 S * 6/2020 Zhao D7/354
D887,568 S 6/2020 Lin
D895,092 S * 9/2020 Peng D23/356
2015/0117056 A1* 4/2015 Hsiao G02B 6/0045
362/611

OTHER PUBLICATIONS

Amazon.com, Wax Warmer for Hair Removal, undated online product page, retrieved Nov. 4, 2020 from <URL:https://www.amazon.com/Wax-Warmer-Hair-Removal-Brazilian/dp/B089M2NCVP?th=1> (Year: 2020).*

* cited by examiner

Primary Examiner — Sheryl Lane
Assistant Examiner — Calvin E Vansant
(74) *Attorney, Agent, or Firm* — Rumit Ranjit Kanakia

(56) **References Cited**
U.S. PATENT DOCUMENTS

D535,376 S * 1/2007 Michaels D23/366
D544,084 S * 6/2007 Michaels D23/366
D675,304 S * 1/2013 Valentino D23/366
D692,551 S * 10/2013 Wirz D23/366
D698,429 S * 1/2014 Jorgensen D23/366
D698,909 S * 2/2014 Chou D23/366
D711,679 S * 8/2014 Day D7/354
D729,923 S * 5/2015 Chou D23/366
D729,924 S * 5/2015 Hsiao D23/366
D756,159 S * 5/2016 Chang D7/354
D772,391 S * 11/2016 Zimmerli D23/366
D828,534 S * 9/2018 Hu D23/366
D829,877 S * 10/2018 Liu D23/366
D838,859 S 1/2019 Yu
D840,013 S * 2/2019 Zhang D23/366
D855,784 S * 8/2019 Seo D23/358
D864,368 S * 10/2019 Chen D23/356
D868,529 S * 12/2019 Chung D7/354
D876,655 S 2/2020 Lin
D878,616 S 3/2020 Lin

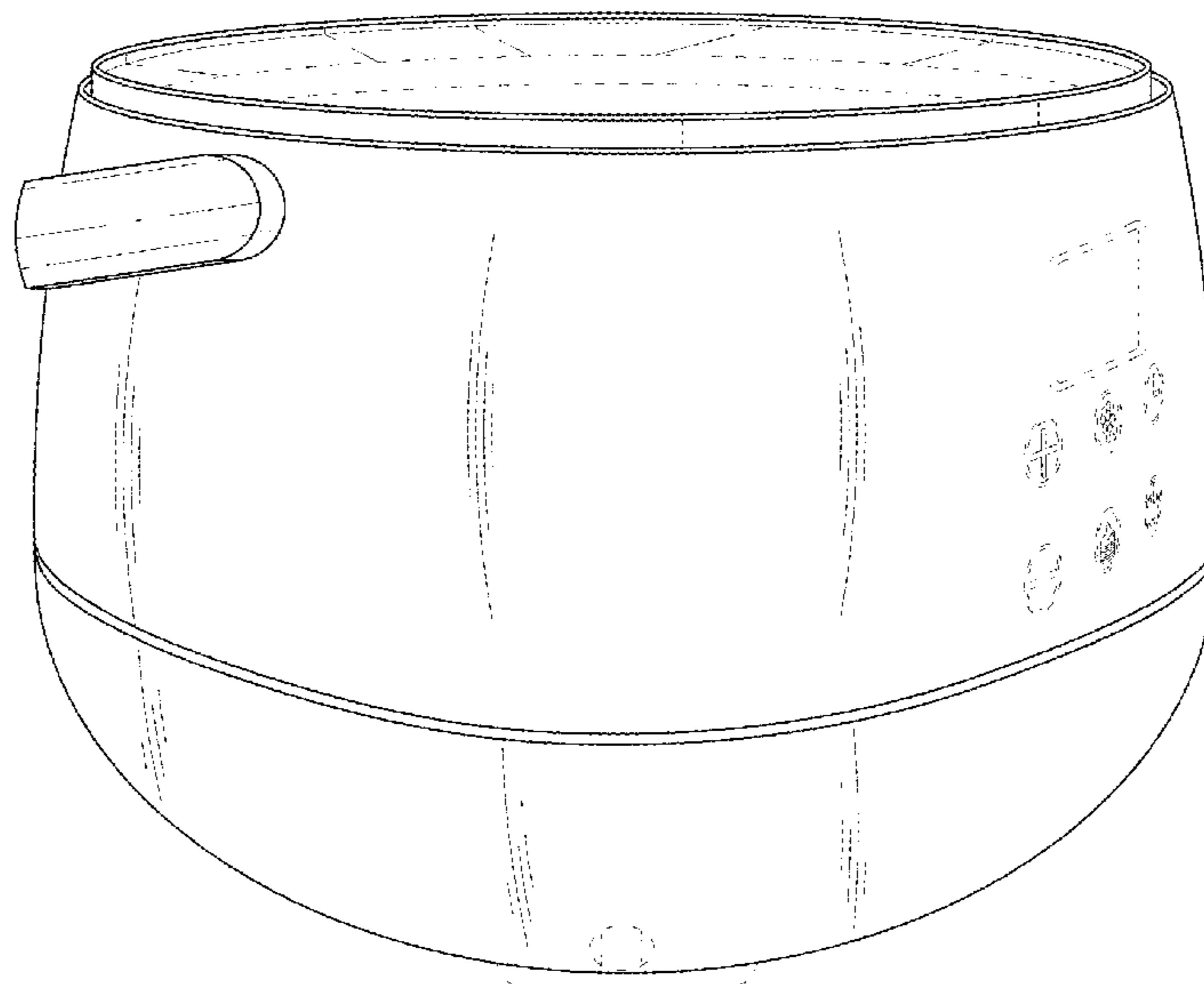
(57) **CLAIM**

I claim the ornamental design for a wax warmer, as shown and described.

DESCRIPTION

FIG. 1 is a Perspective view of a wax warmer showing my new design;
FIG. 2 is a Front view thereof;
FIG. 3 is a Back view thereof;
FIG. 4 is a Right-side view thereof;
FIG. 5 is a Left-side view thereof;
FIG. 6 is a Top view thereof;
FIG. 7 is a Bottom view thereof; and,
FIG. 8 is other perspective view of a wax warmer showing in closed position.
The broken lines are for the purpose of illustrating portions of the article that form no part of the claim.

1 Claim, 8 Drawing Sheets



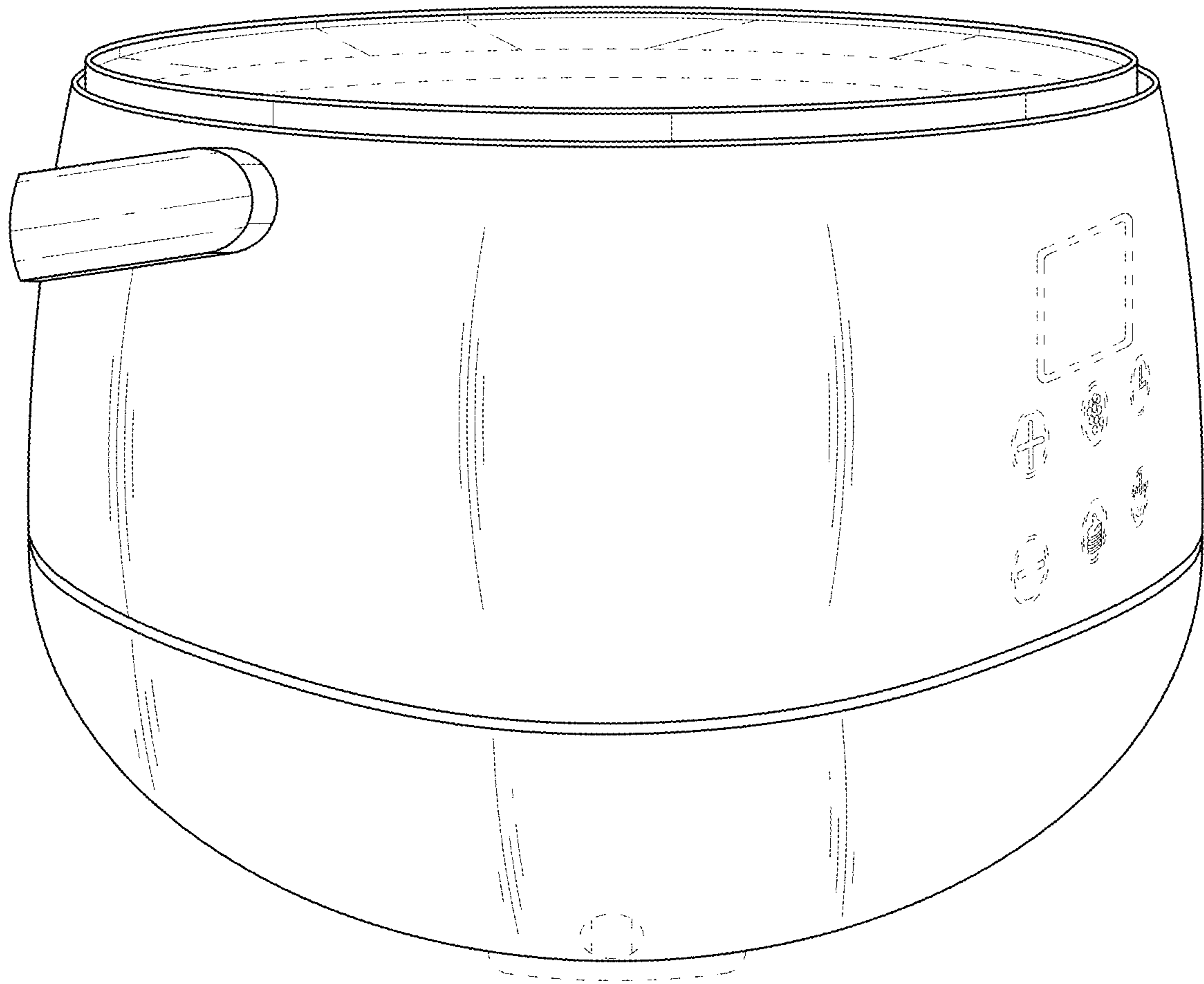


FIG. 1

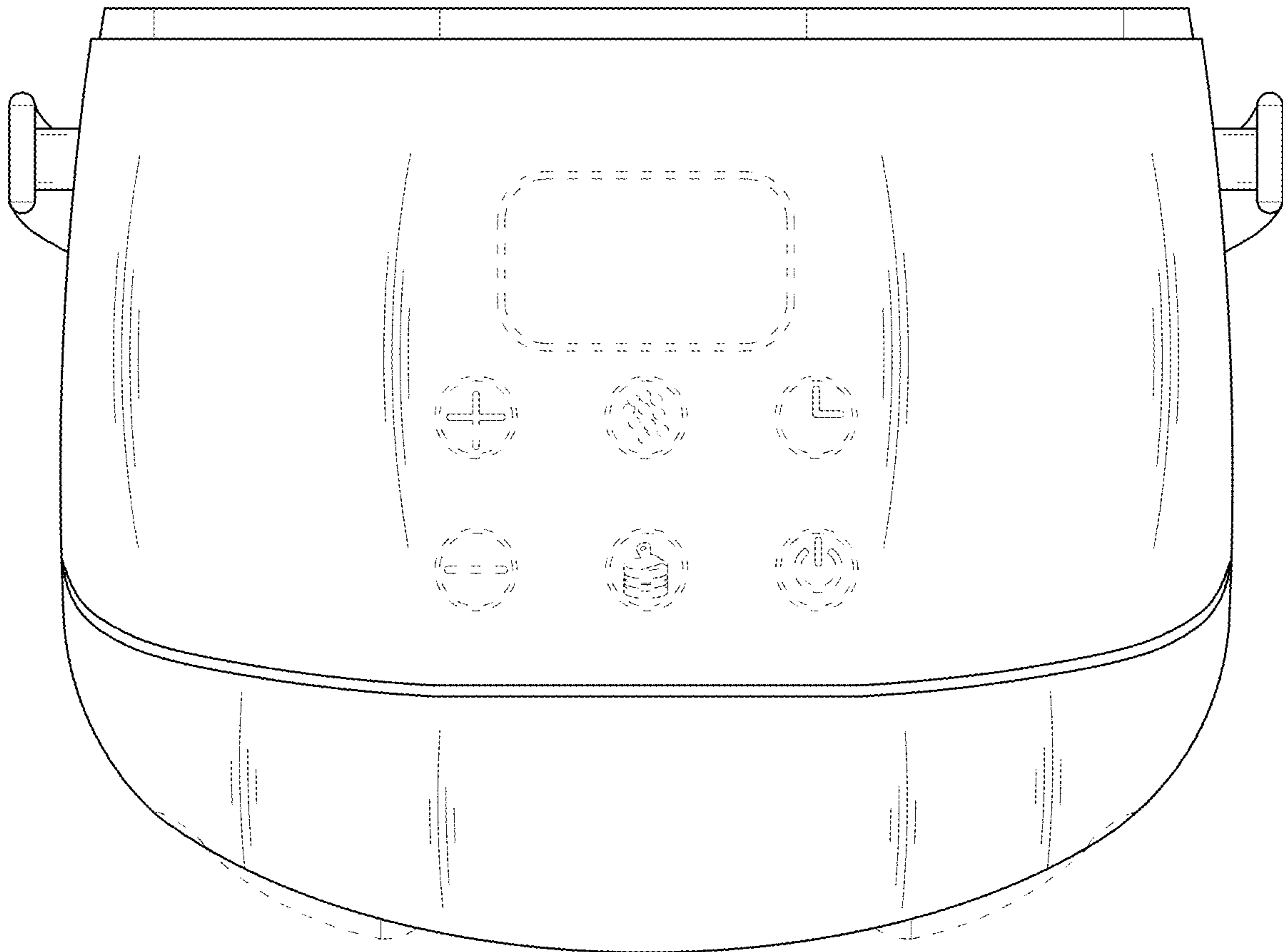


FIG. 2

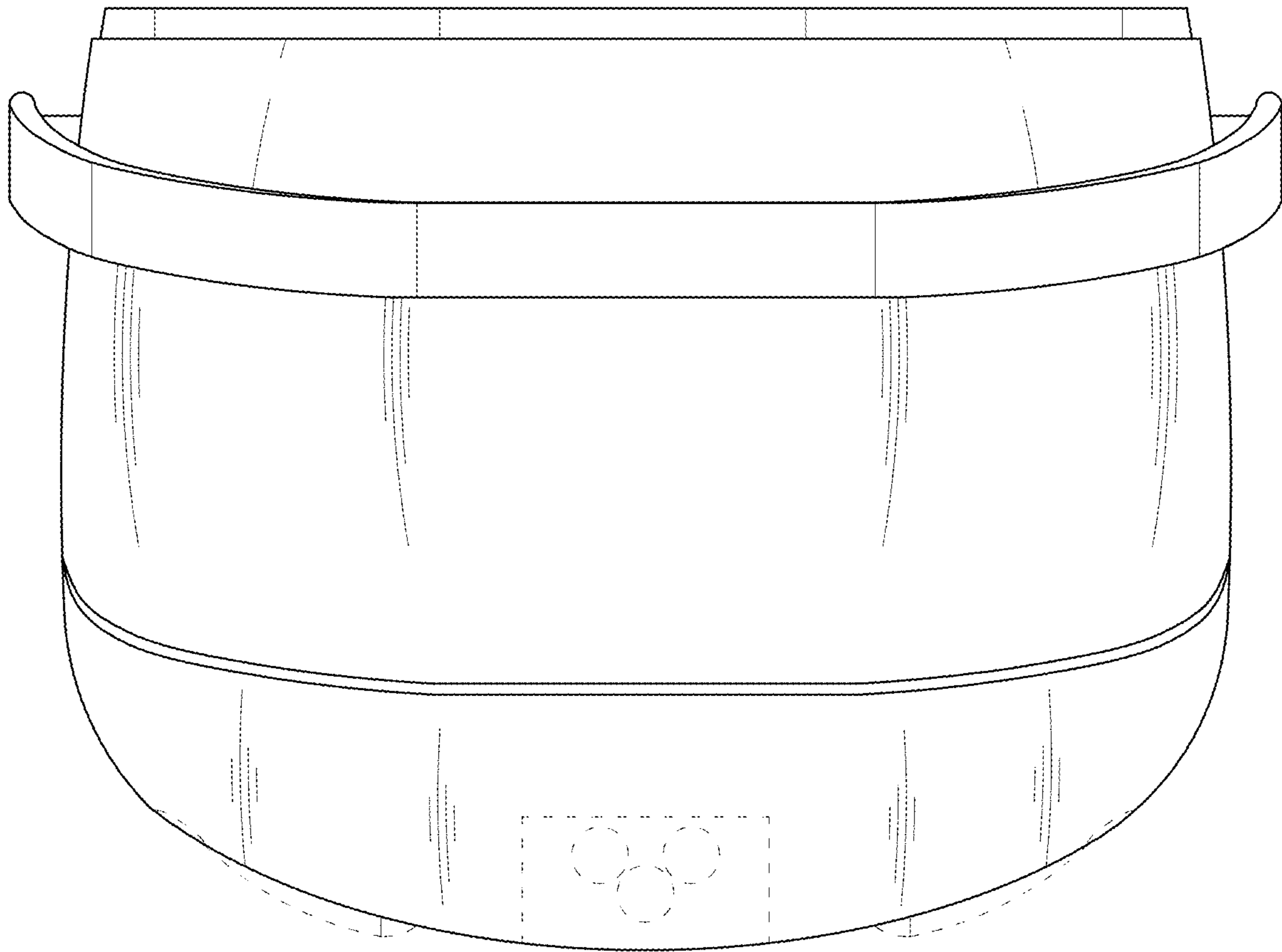


FIG. 3

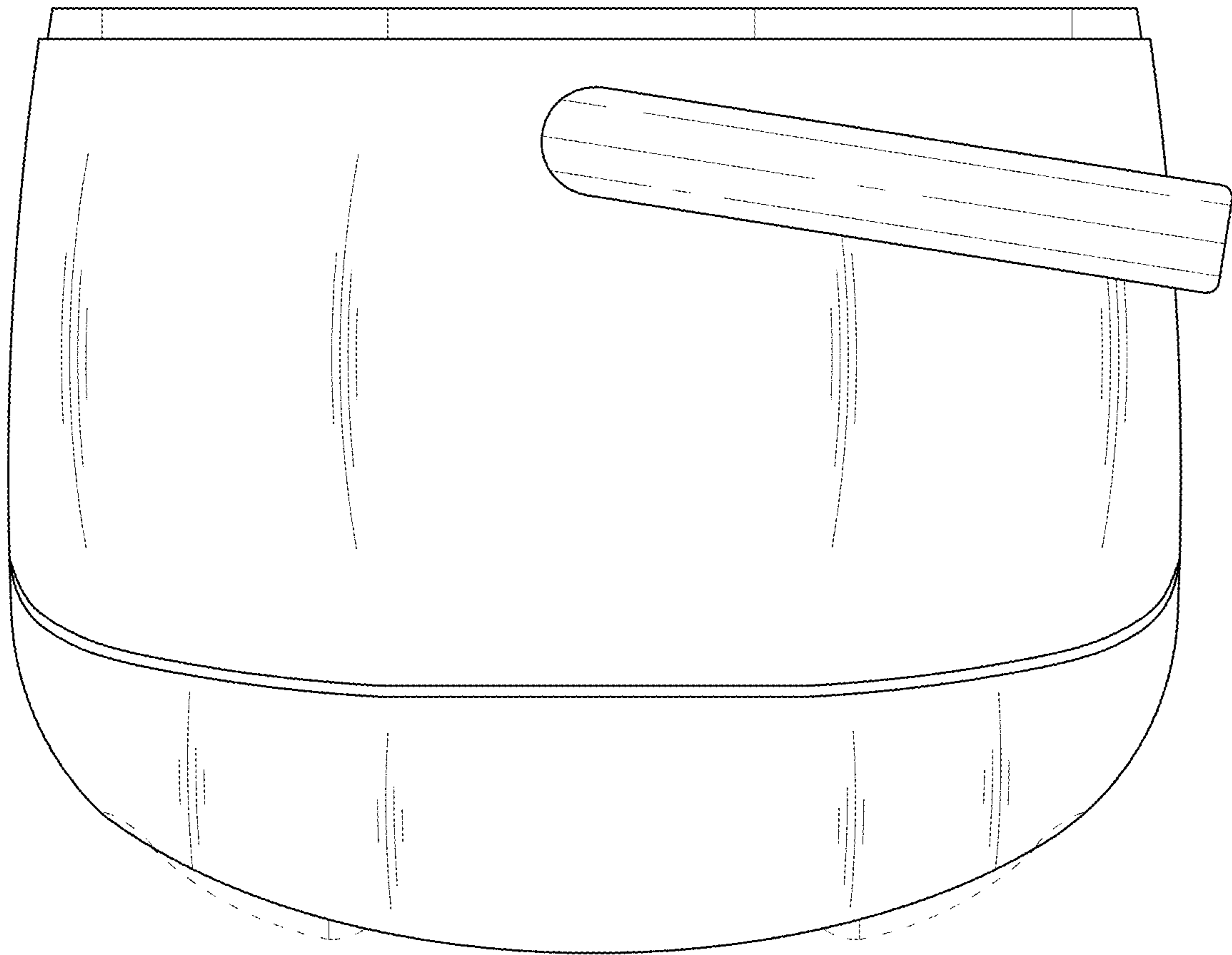


FIG. 4

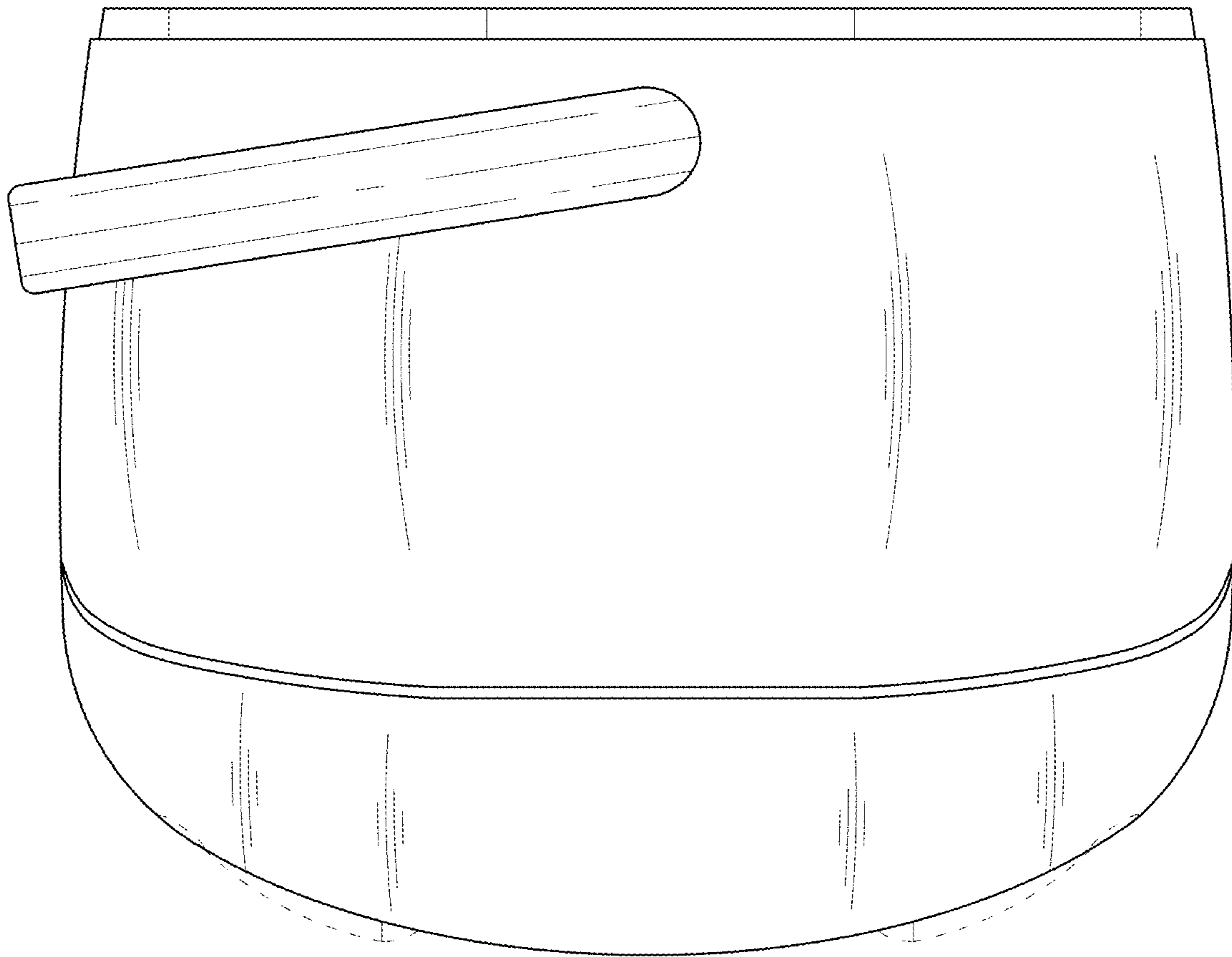


FIG. 5

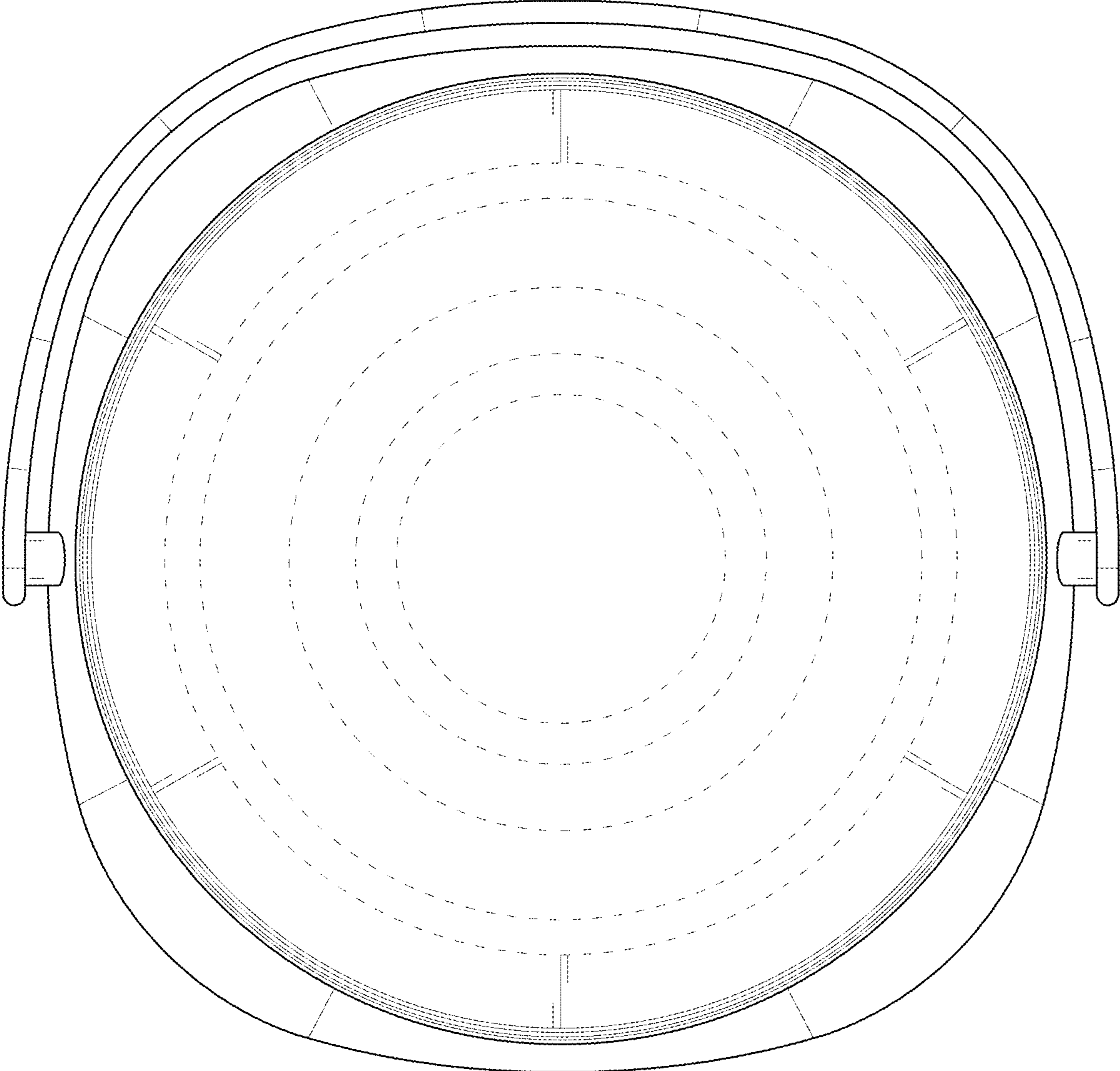


FIG. 6

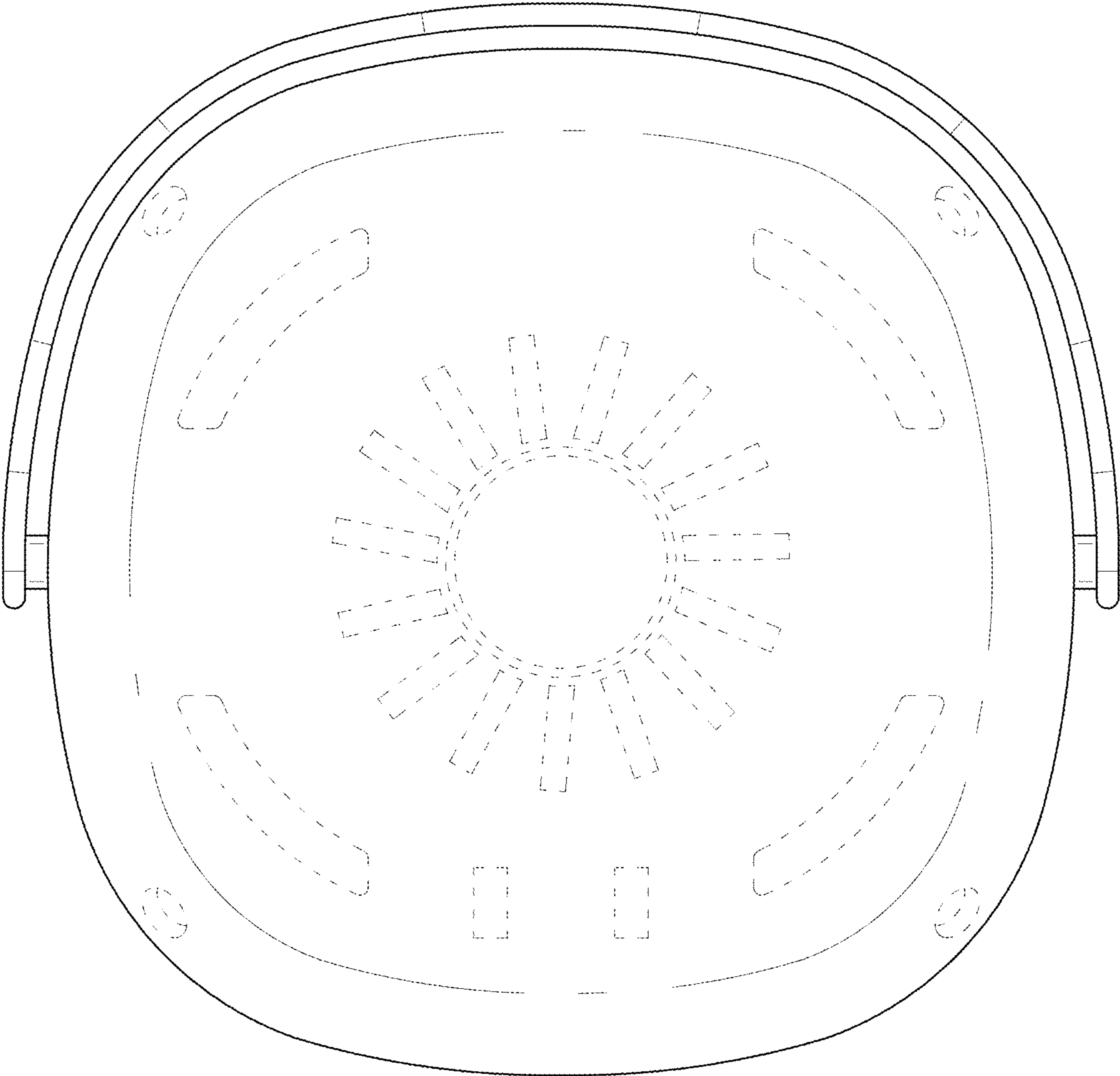


FIG. 7

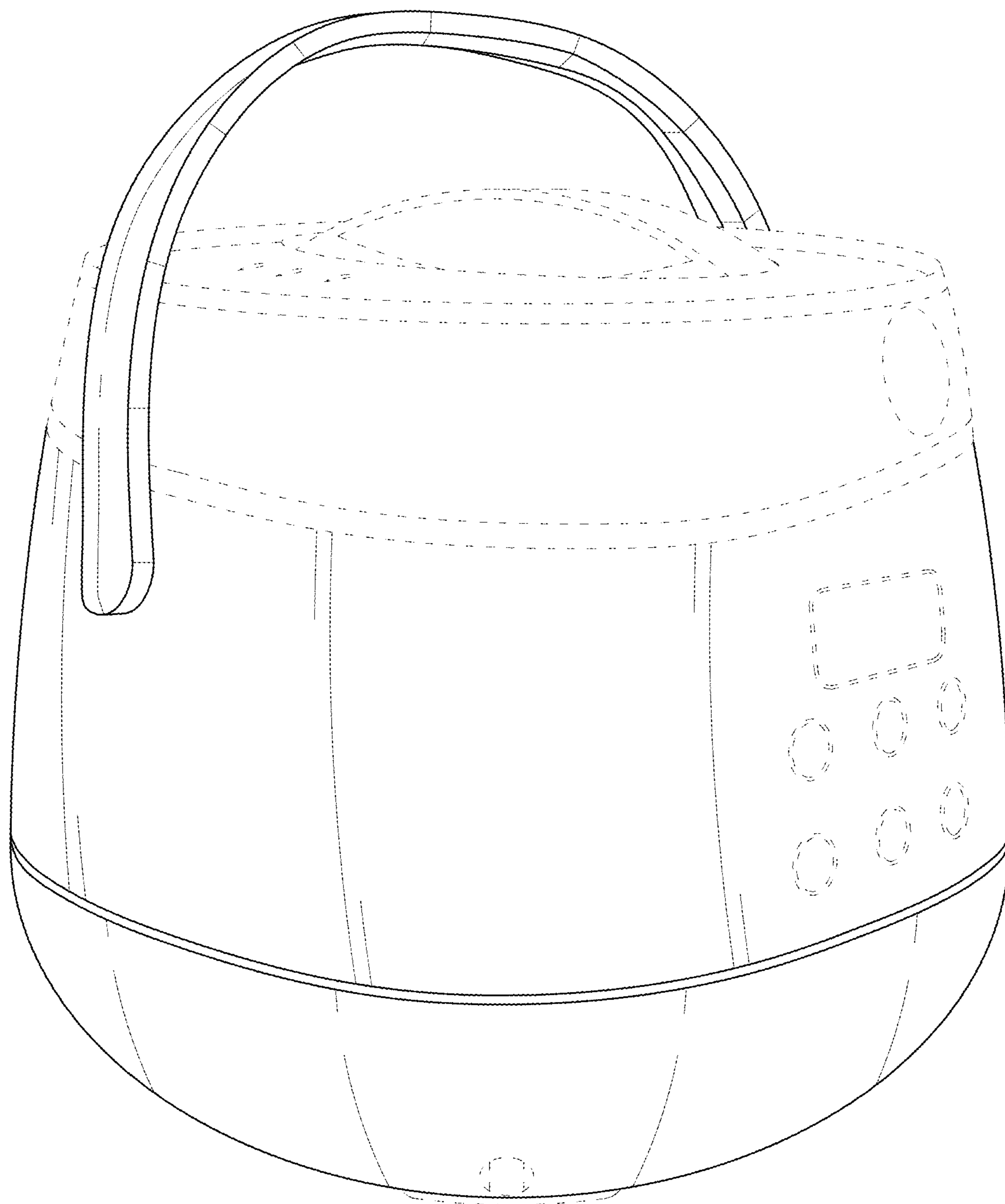


FIG. 8