



US00D916265S

(12) **United States Design Patent** (10) **Patent No.:** **US D916,265 S**  
**Jung et al.** (45) **Date of Patent:** **\*\* Apr. 13, 2021**

(54) **AIR PURIFIER WITH LIGHT**  
(71) Applicant: **LG ELECTRONICS INC.**, Seoul (KR)  
(72) Inventors: **Soonho Jung**, Seoul (KR); **Heejae Kwon**, Seoul (KR); **Seungho Baek**, Seoul (KR); **Minha Lee**, Seoul (KR); **Jaeyoung Jo**, Seoul (KR)  
(73) Assignee: **LG Electronics Inc.**, Seoul (KR)  
(\*\*) Term: **15 Years**

D764,649 S *	8/2016	Ko	.....	D23/364
D768,833 S *	10/2016	Moredock	.....	D23/365
D818,097 S *	5/2018	Cho	.....	D23/364
D831,811 S *	10/2018	Cho	.....	D23/364
D832,414 S *	10/2018	Sharma	.....	D23/364
D886,272 S *	6/2020	Yang	.....	D23/364
D886,975 S *	6/2020	Yang	.....	D23/364
D890,905 S *	7/2020	Farone	.....	D23/364
D896,937 S *	9/2020	Yang	.....	D23/335
D905,220 S *	12/2020	Farone	.....	D23/364
D905,841 S *	12/2020	Cao	.....	D23/364
D906,500 S *	12/2020	Seo	.....	D23/356
D906,501 S *	12/2020	Lim	.....	D23/364
D908,854 S *	1/2021	Fitzsimmons	.....	D23/364

\* cited by examiner

(21) Appl. No.: **29/729,143**  
(22) Filed: **Mar. 24, 2020**

*Primary Examiner* — David G Muller  
(74) *Attorney, Agent, or Firm* — Birch, Stewart, Kolasch & Birch, LLP

(30) **Foreign Application Priority Data**

Sep. 27, 2019 (KR) ..... 30-2019-0046717

(51) **LOC (13) Cl.** ..... **23-04**  
(52) **U.S. Cl.**  
USPC ..... **D23/364**; D26/59

(57) **CLAIM**

We claim the ornamental design for an air purifier with light, as shown and described.

(58) **Field of Classification Search**  
USPC ..... D23/355–366, 352, 369, 332, 333, 335, D23/336, 342, 351; D26/34, 36, 38, 51, D26/59, 74, 120, 124; 422/120, 122; 55/356, 473, 504; 96/97; 261/DIG. 17, 261/DIG. 65, DIG. 88, DIG. 31  
CPC .. A61L 9/16; A61L 9/22; B01D 47/00; B01D 47/027; B01D 2221/02; B01D 2259/4508; B03C 3/155; B03C 3/368; F24F 3/16; F24F 13/20; F24F 13/28  
See application file for complete search history.

**DESCRIPTION**

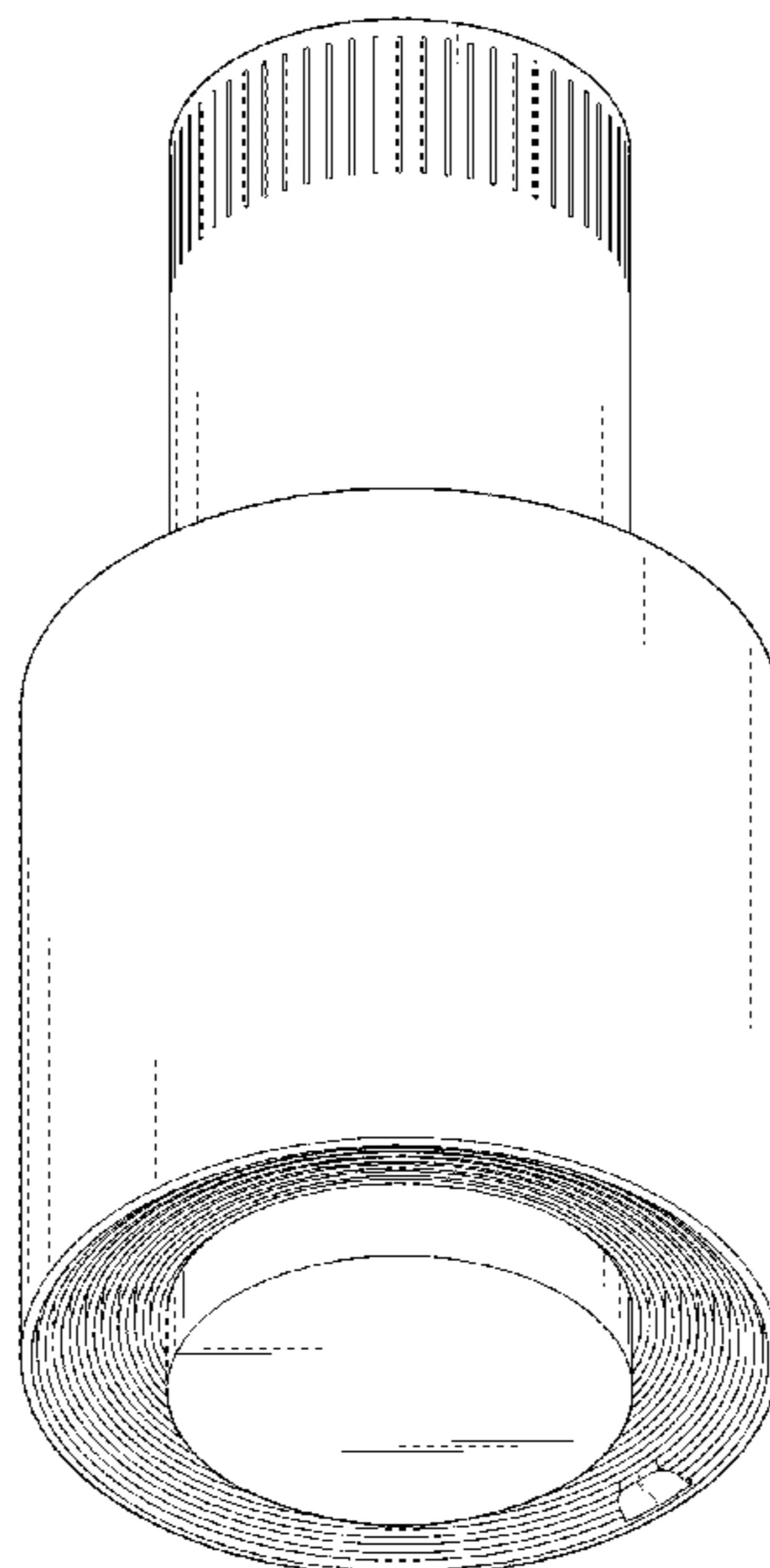
FIG. 1 is a perspective view of an air purifier with light showing the new design;  
FIG. 2 is a front elevation view thereof;  
FIG. 3 is a rear elevation view thereof;  
FIG. 4 is a left-side elevation view thereof;  
FIG. 5 is a right-side elevation view thereof;  
FIG. 6 is a top plan view thereof; and,  
FIG. 7 is a bottom plan view thereof.  
The parts shown by means of broken lines in the drawing figures are not part of the claimed design.

(56) **References Cited**

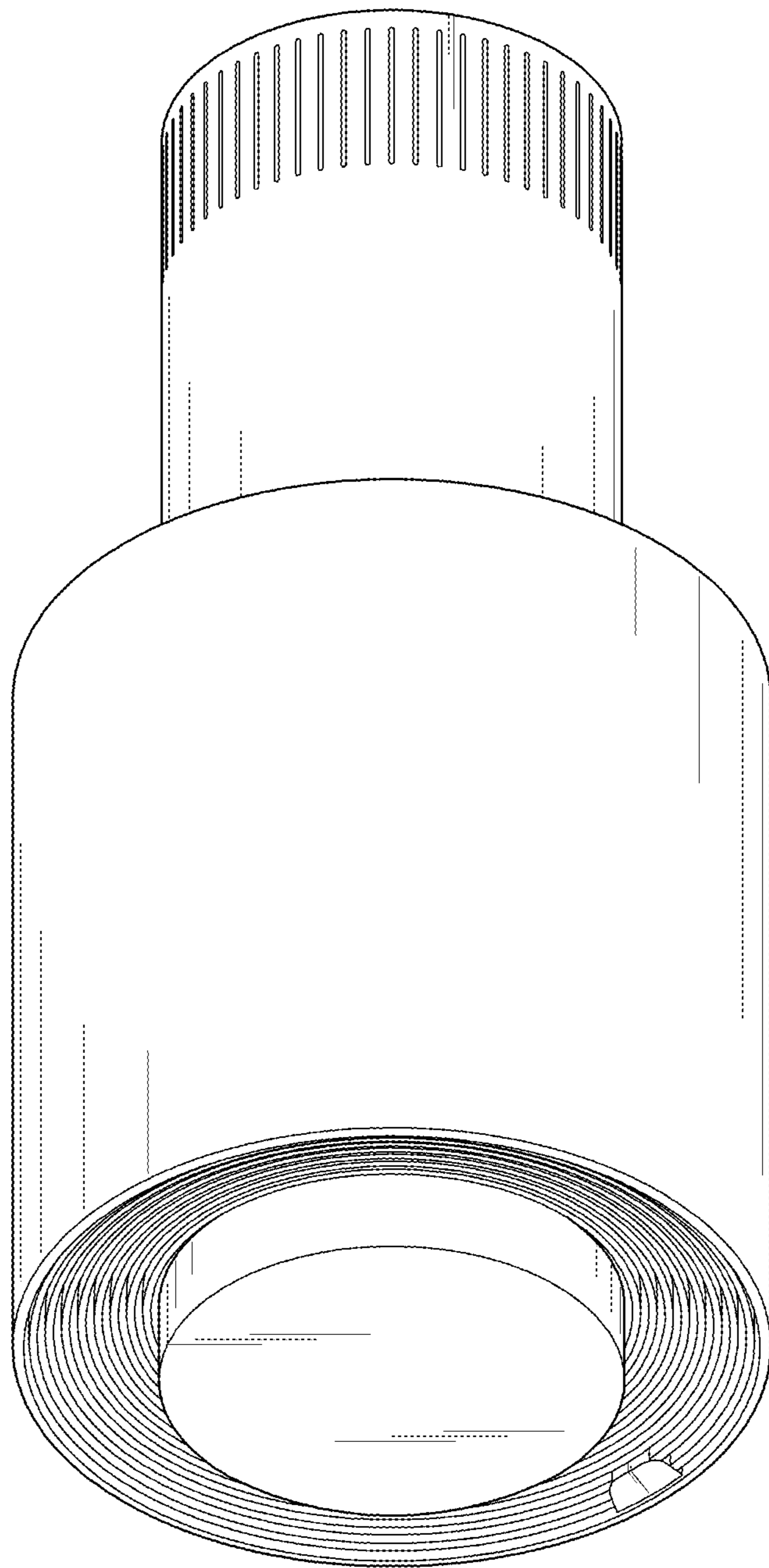
**U.S. PATENT DOCUMENTS**

D710,488 S *	8/2014	Alima	.....	D23/363
D731,634 S *	6/2015	Page	.....	D23/365

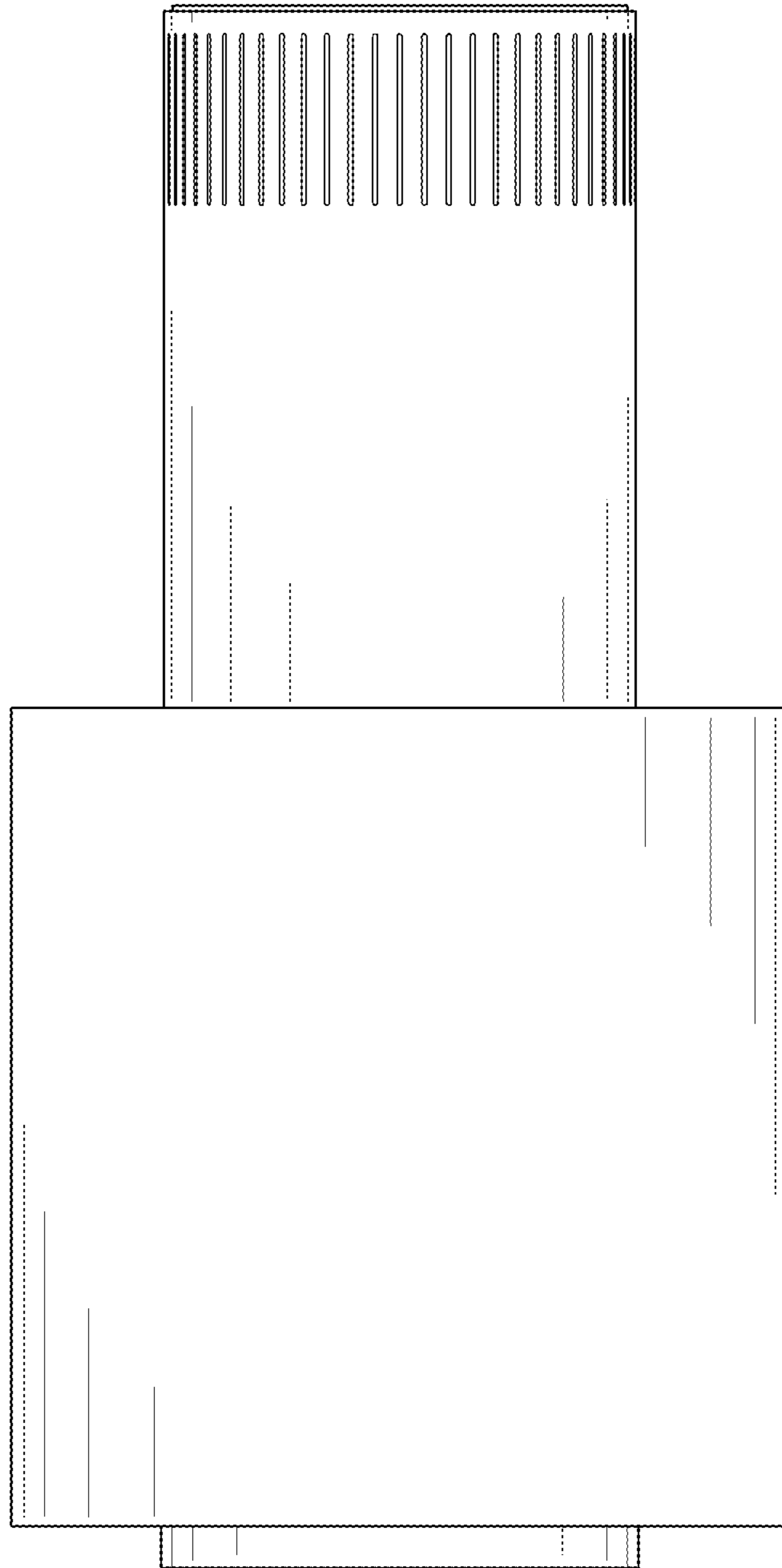
**1 Claim, 7 Drawing Sheets**



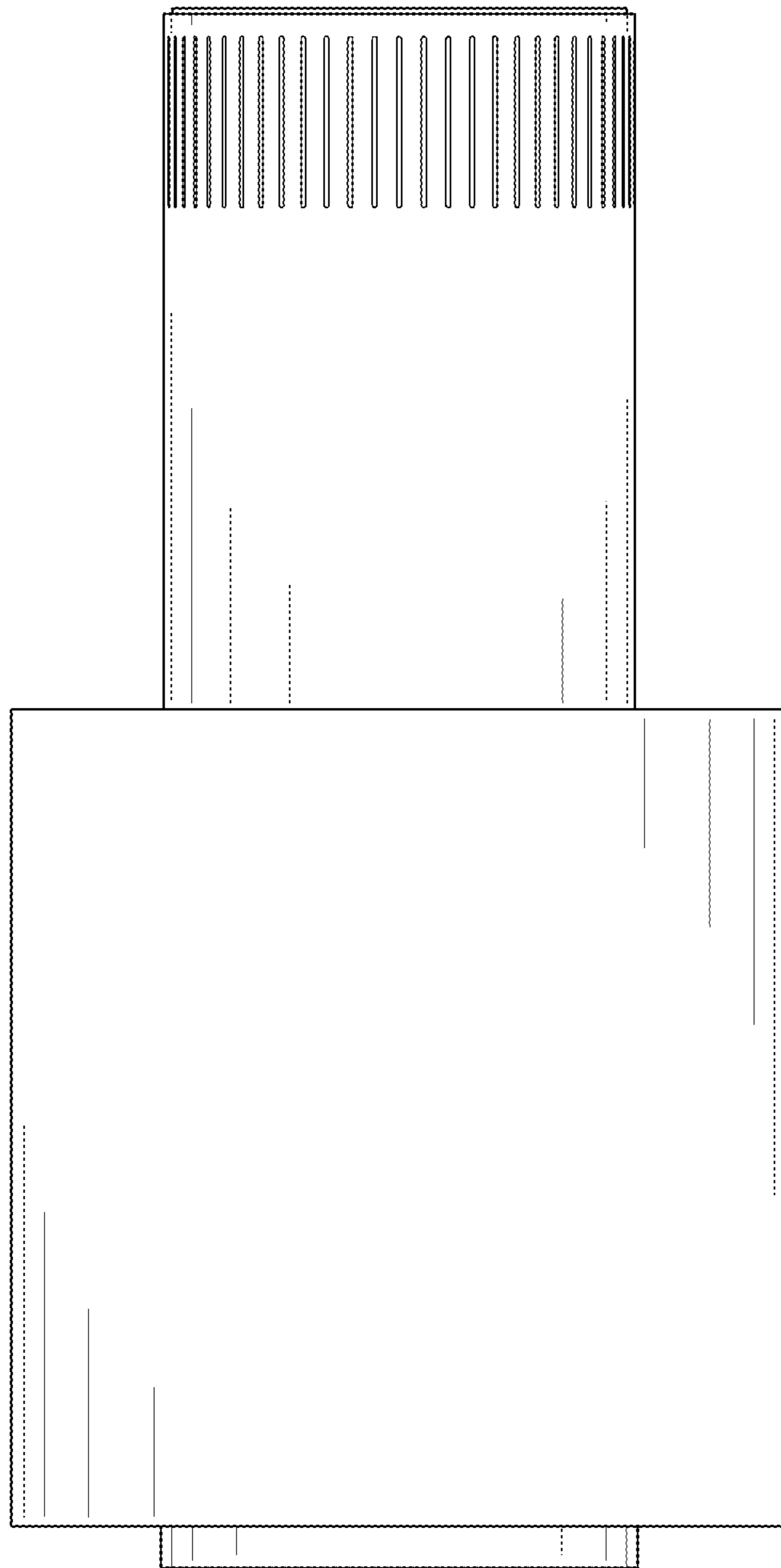
*FIG. 1*



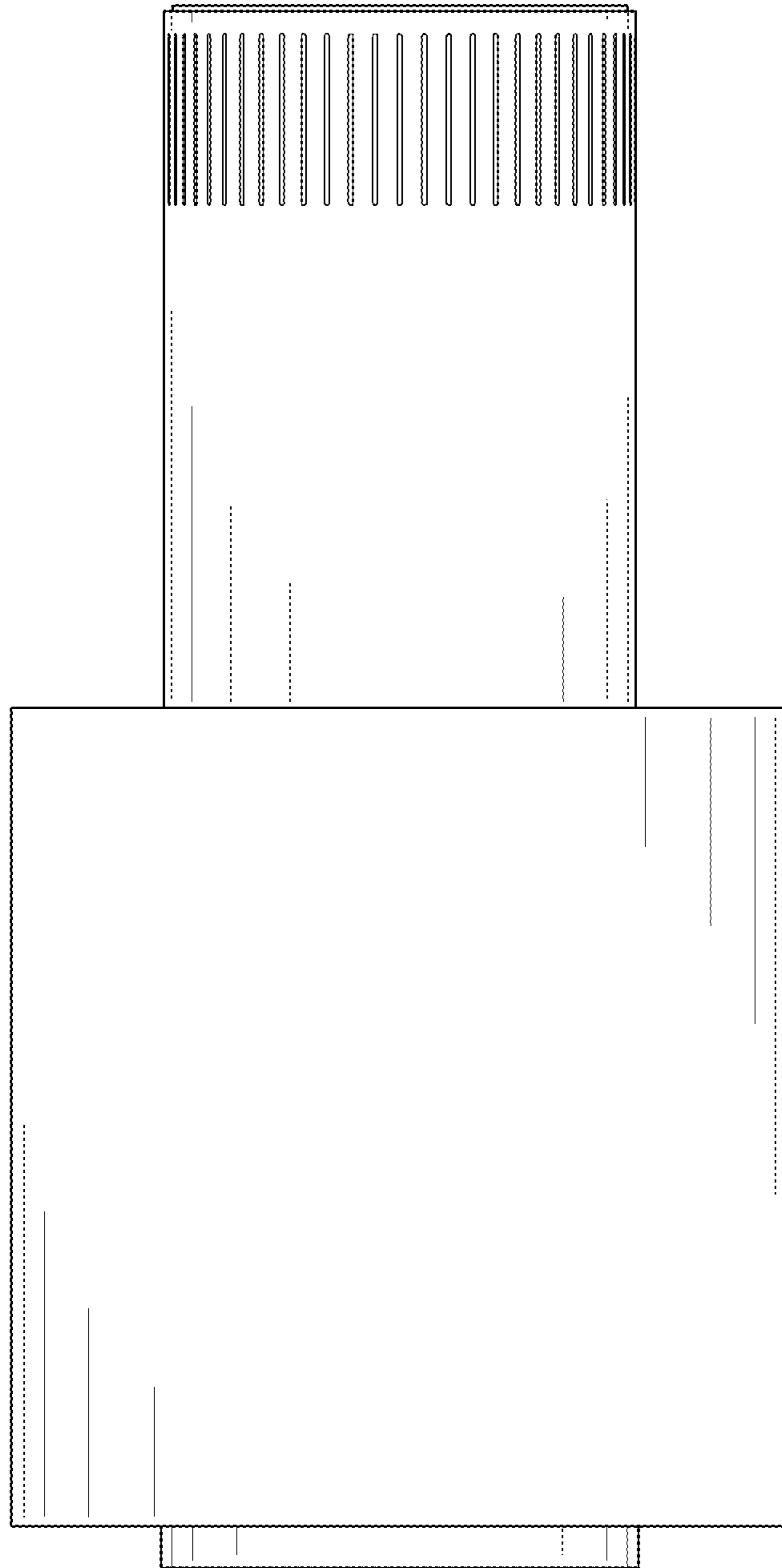
*FIG. 2*



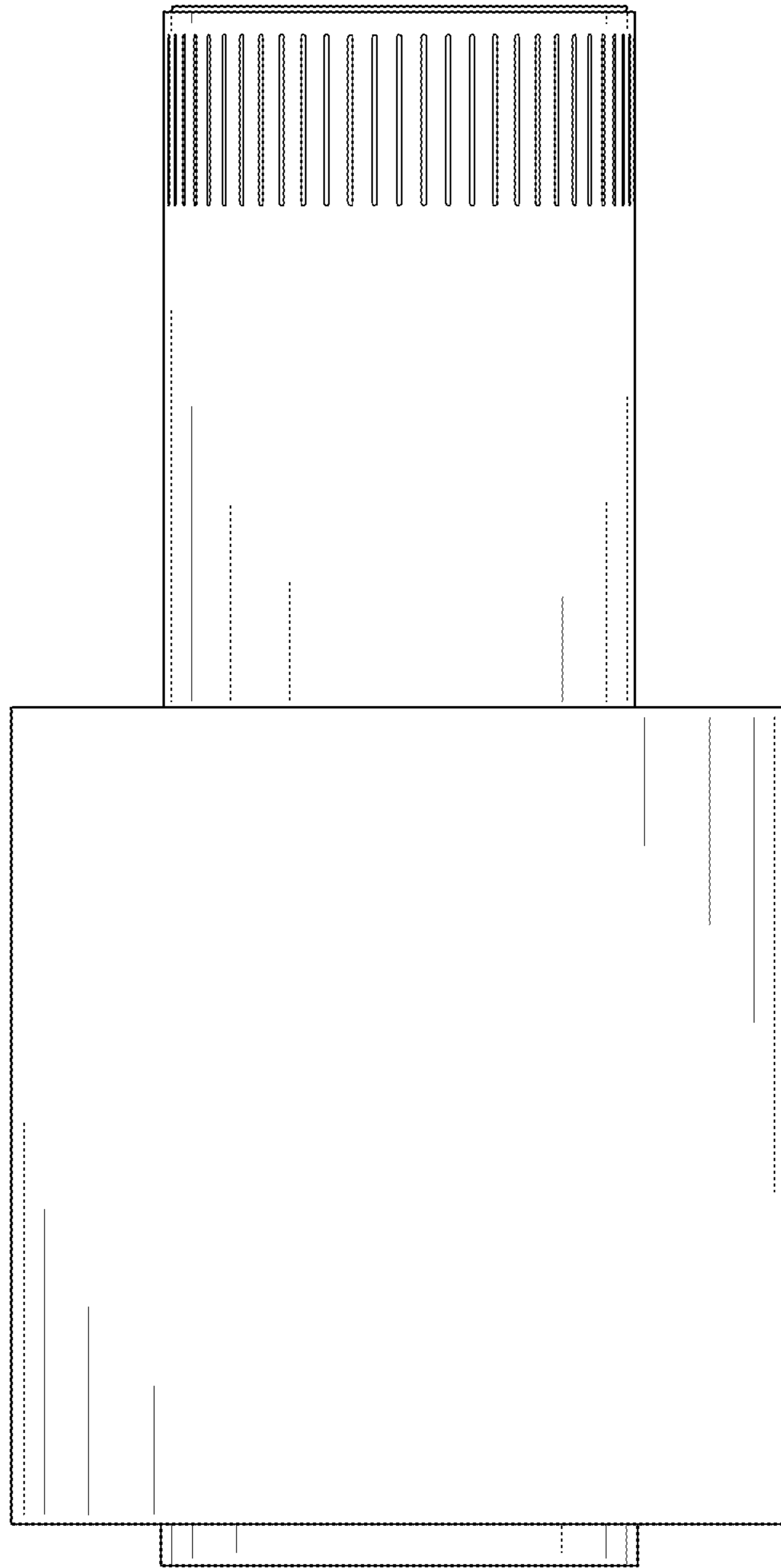
*FIG. 3*



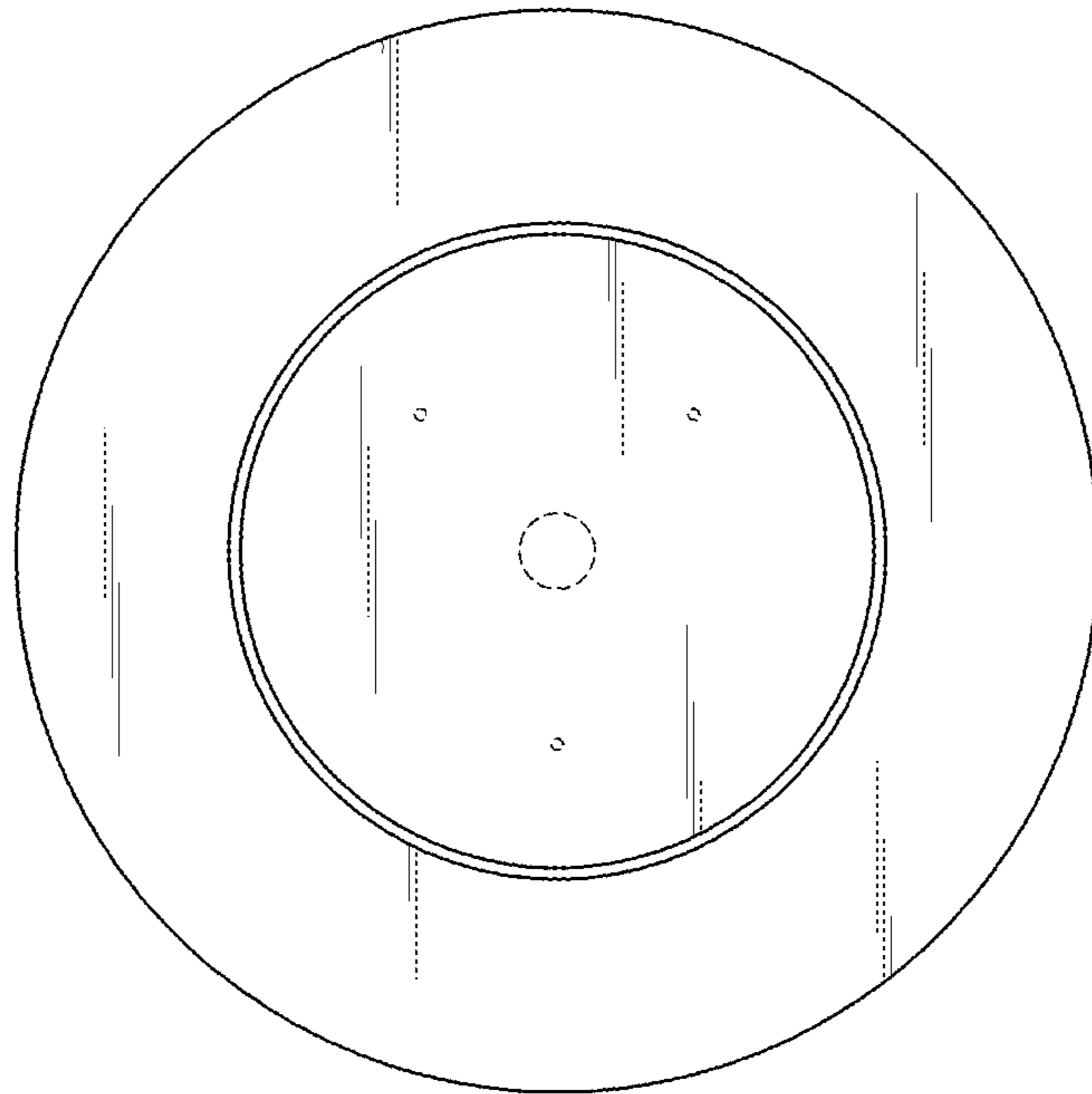
*FIG. 4*



*FIG. 5*



*FIG. 6*



*FIG. 7*

