



US00D916264S

(12) **United States Design Patent**
Jun

(10) **Patent No.:** **US D916,264 S**
(45) **Date of Patent:** **** Apr. 13, 2021**

(54) **AIR PURIFIER**
(71) Applicant: **DADAM MICRO INC.**, Seongnam-si (KR)
(72) Inventor: **Ik Soo Jun**, Cheonan-si (KR)
(73) Assignee: **DADAM MICRO INC.**, Seongnam-si (KR)
(**) Term: **15 Years**

D629,879 S *	12/2010	Paterson	D23/364
D708,725 S *	7/2014	Niki	D23/351
D714,429 S *	9/2014	Bursztein	D23/332
D719,249 S *	12/2014	Lim	D23/364
D729,366 S *	5/2015	Kauss	D23/360
D733,278 S *	6/2015	Newlin	D23/366
D748,238 S *	1/2016	Meeker	D23/366
D761,407 S *	7/2016	Spear	D23/365
D762,290 S *	7/2016	Jepson	D23/342
D773,028 S *	11/2016	Tang	D23/370
D873,398 S *	1/2020	Seo	D23/364

* cited by examiner

(21) Appl. No.: **29/728,559**
(22) Filed: **Mar. 19, 2020**

Primary Examiner — David G Muller
(74) *Attorney, Agent, or Firm* — Novick, Kim & Lee, PLLC; Jae Youn Kim; Hyun Woo Shin

(30) **Foreign Application Priority Data**

Sep. 27, 2019 (KR) 30-2019-0046573

(51) **LOC (13) Cl.** **23-04**
(52) **U.S. Cl.**
USPC **D23/364**

(57) **CLAIM**

I claim the ornamental design for an air purifier, as shown and described.

(58) **Field of Classification Search**
USPC D23/355–366, 352, 369, 332, 333, 335, D23/336, 342, 351; 422/120, 122; 55/356, 473, 504; 96/97; 261/DIG. 17, 261/DIG. 65, DIG. 88, DIG. 31
CPC .. A61L 9/16; A61L 9/22; B01D 47/00; B01D 47/027; B01D 2221/02; B01D 2259/4508; B03C 3/155; B03C 3/368; F24F 3/16; F24F 13/20; F24F 13/28
See application file for complete search history.

DESCRIPTION

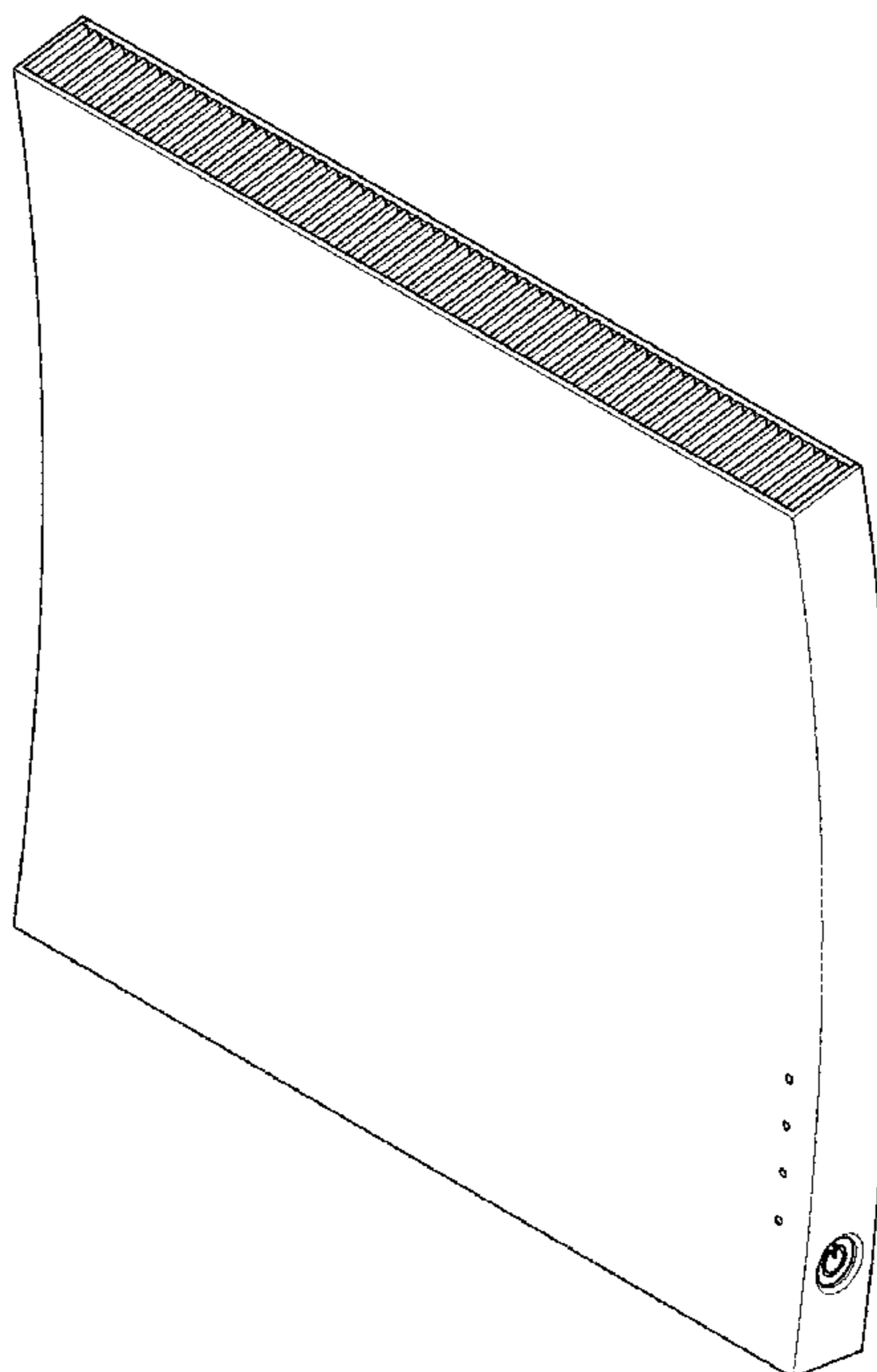
FIG. 1 is a front, top, right side perspective view of an air purifier, showing my new design;
FIG. 2 is a front elevational view thereof;
FIG. 3 is a rear elevational view thereof;
FIG. 4 is a left side elevational view thereof;
FIG. 5 is a right side elevational view thereof;
FIG. 6 is a top plan view thereof;
FIG. 7 is a bottom plan view thereof; and,
FIG. 8 is a rear, bottom, left side perspective view thereof.

(56) **References Cited**

U.S. PATENT DOCUMENTS

D546,429 S * 7/2007 Ching D23/342
D557,393 S * 12/2007 Yoo D23/351

1 Claim, 7 Drawing Sheets



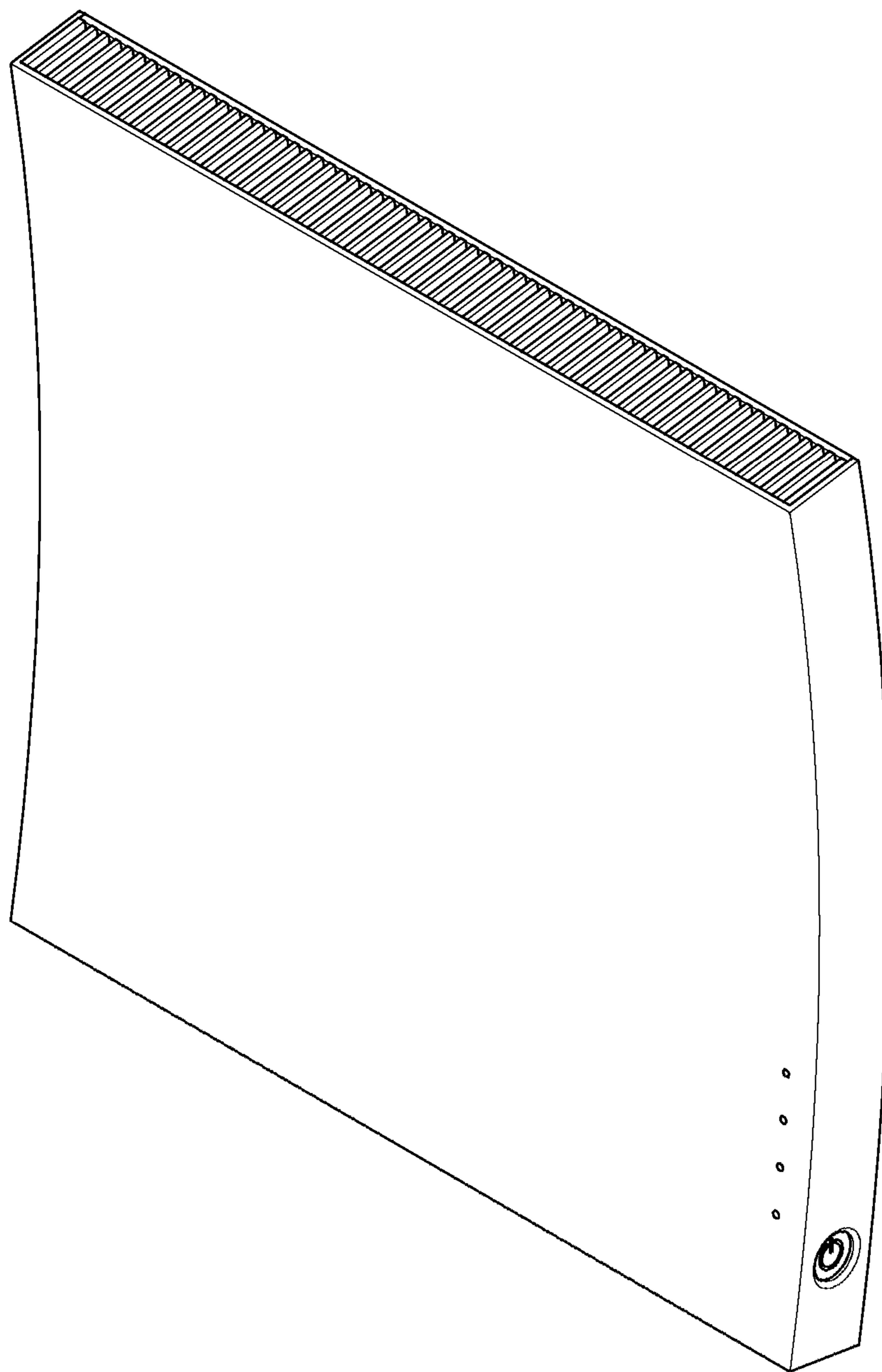


FIG. 1

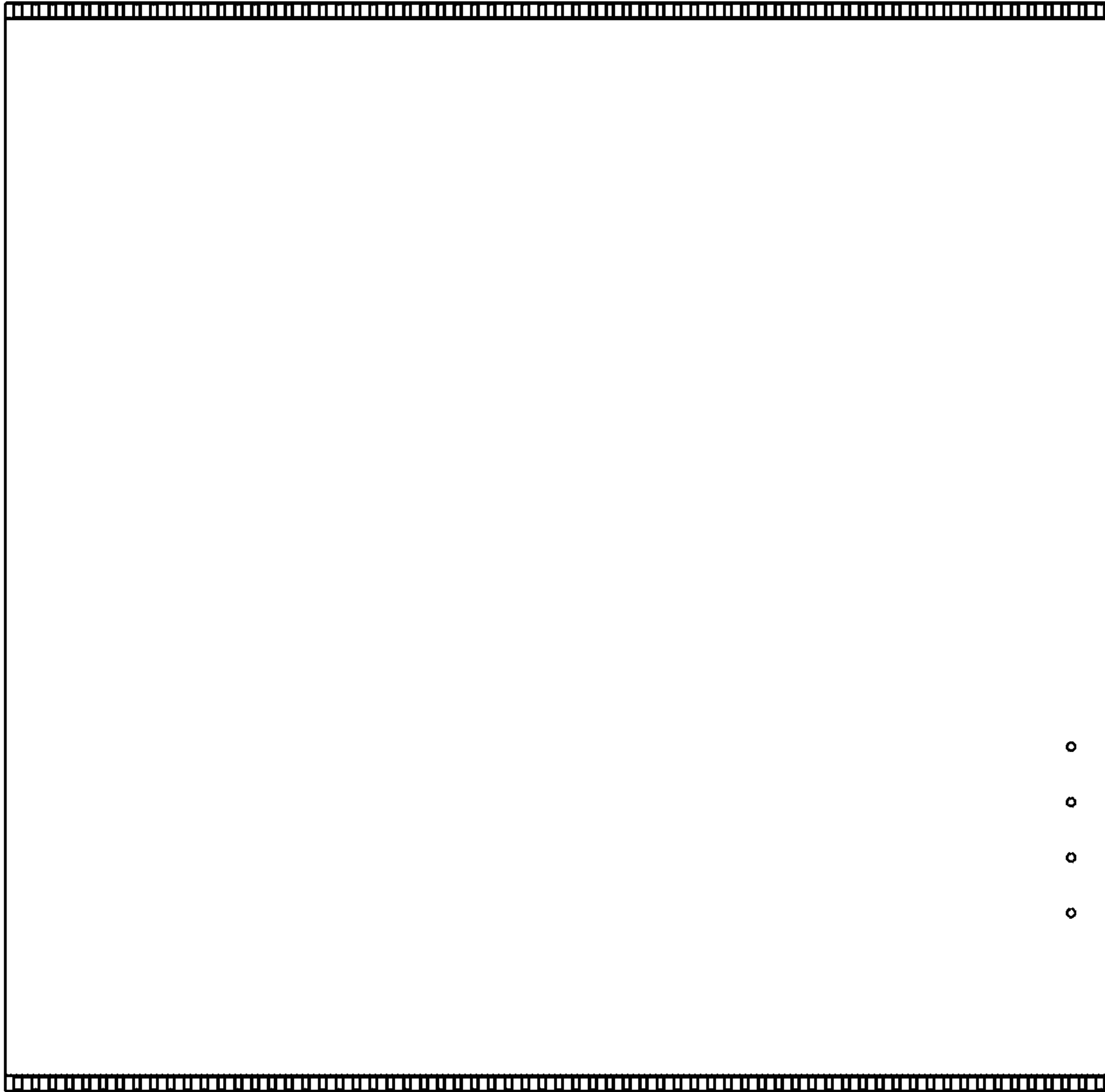


FIG. 2

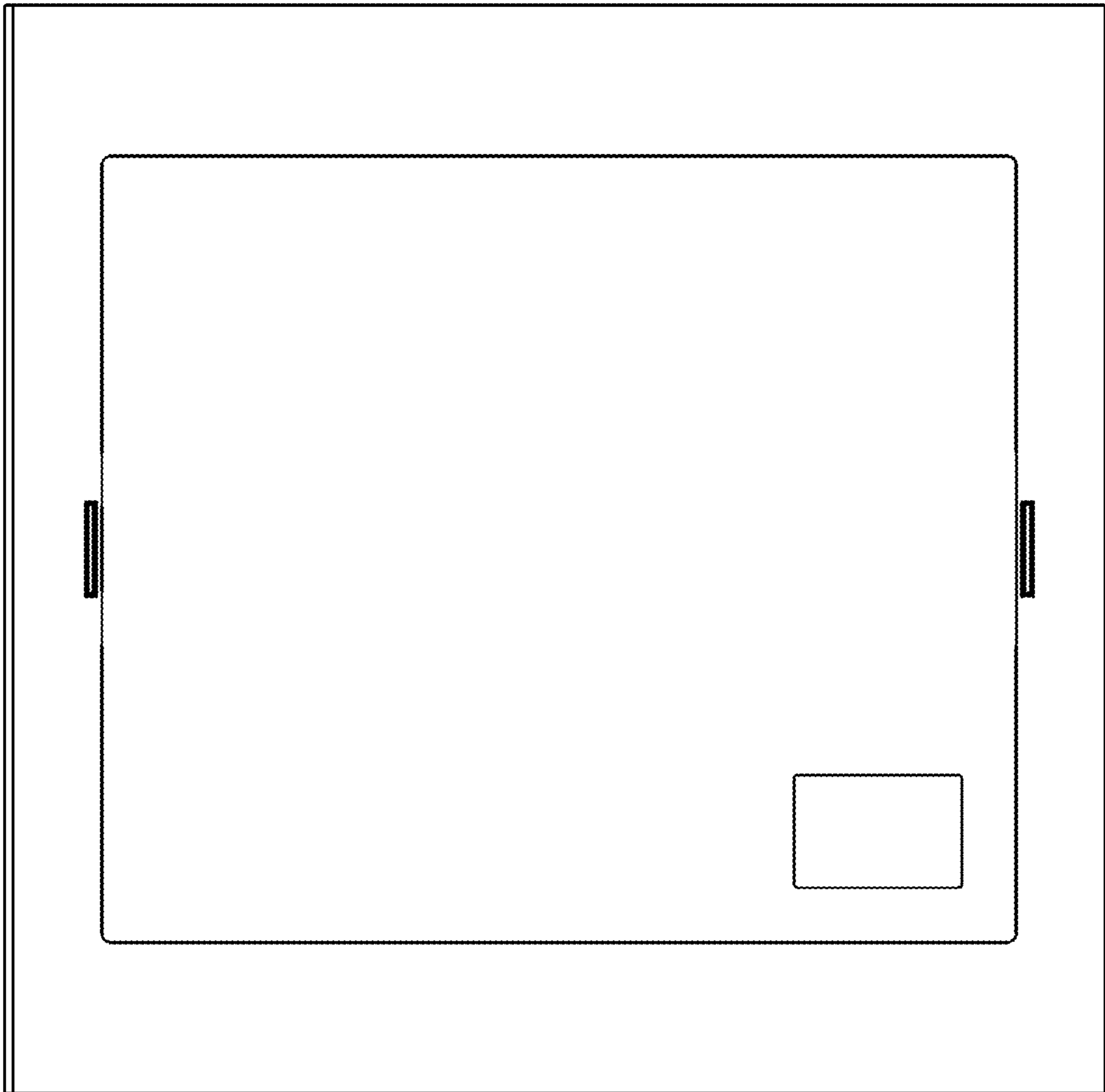


FIG. 3

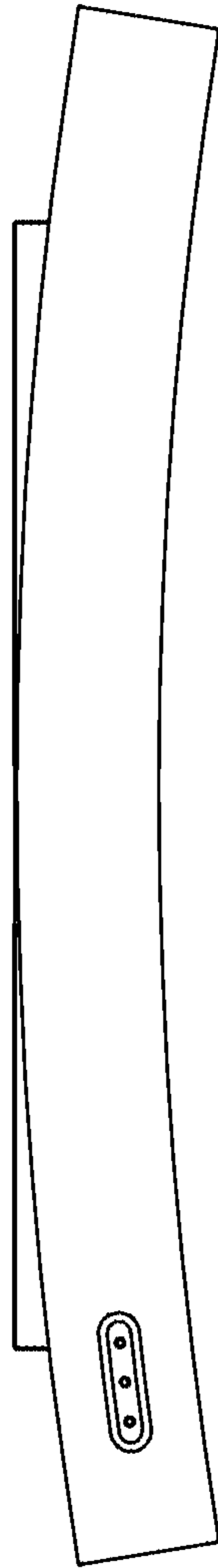


FIG. 4

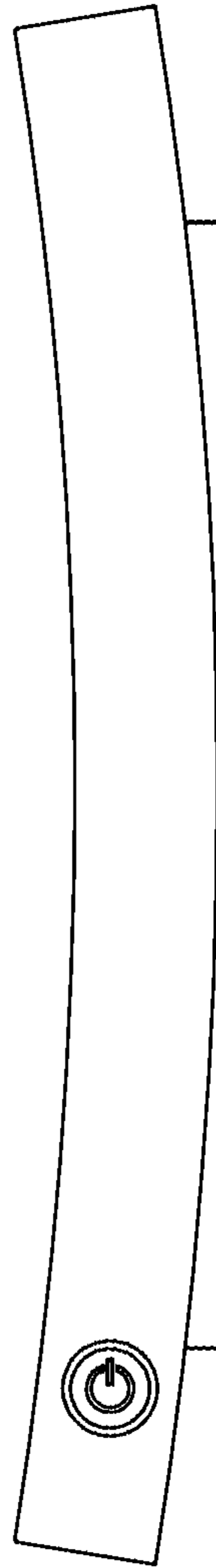


FIG. 5

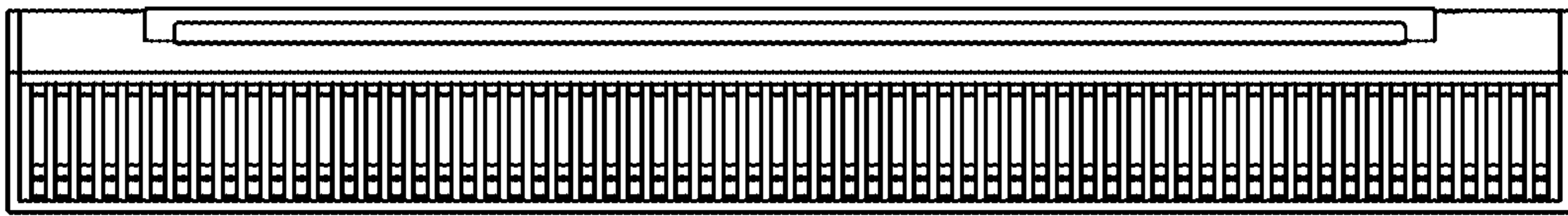


FIG. 6

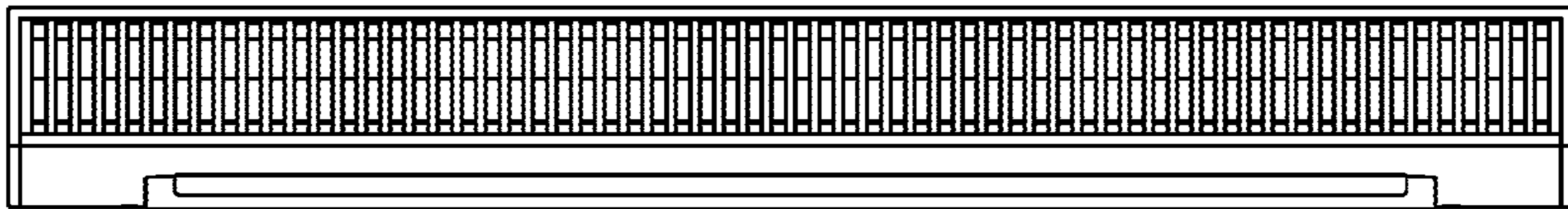


FIG. 7

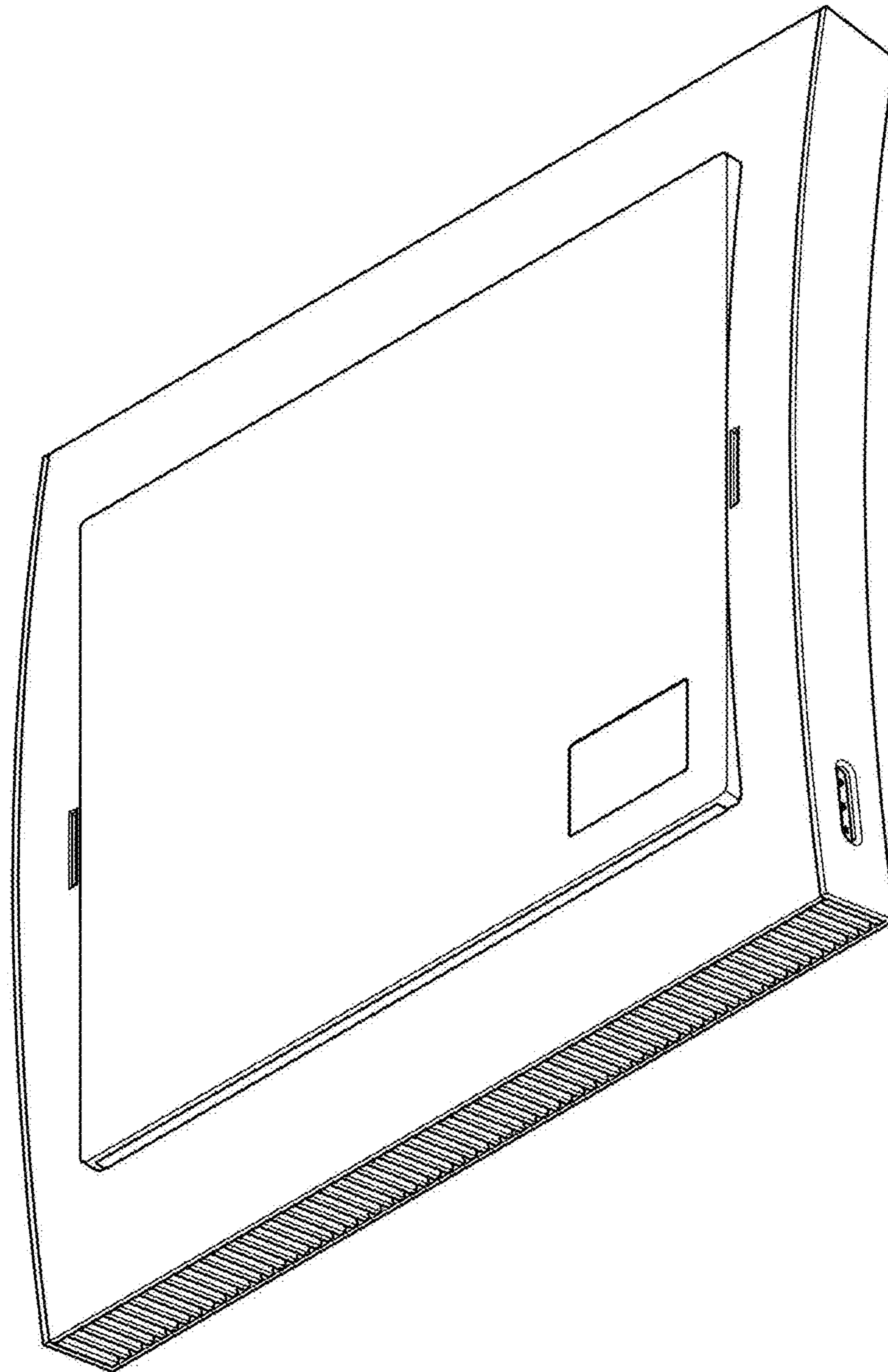


FIG. 8