



US00D916263S

(12) **United States Design Patent**
Lee et al.

(10) **Patent No.:** **US D916,263 S**
(45) **Date of Patent:** **** Apr. 13, 2021**

(54) **AIR PURIFIER WITH LIGHT**
(71) Applicant: **LG ELECTRONICS INC.**, Seoul (KR)
(72) Inventors: **Minha Lee**, Seoul (KR); **Heejae Kwon**, Seoul (KR); **Seungho Baek**, Seoul (KR); **Soonho Jung**, Seoul (KR)
(73) Assignee: **LG Electronics Inc.**, Seoul (KR)
(**) Term: **15 Years**
(21) Appl. No.: **29/717,904**
(22) Filed: **Dec. 19, 2019**

(30) **Foreign Application Priority Data**
Jun. 24, 2019 (KR) 30-2019-0030082
(51) **LOC (13) Cl.** **23-04**
(52) **U.S. Cl.**
USPC **D23/364**; D26/59
(58) **Field of Classification Search**
USPC D23/355-366, 352, 369, 332, 333, 335, D23/336, 342, 351; D26/34, 36, 38, 51, D26/59, 74, 120, 124; 422/120, 122; 55/356, 473, 504; 96/97; 261/DIG. 17, 261/DIG. 65, DIG. 88, DIG. 31
CPC .. A61L 9/16; A61L 9/22; B01D 47/00; B01D 47/027; B01D 2221/02; B01D 2259/4508; B03C 3/155; B03C 3/368; F24F 3/16; F24F 13/20; F24F 13/28
See application file for complete search history.

(56) **References Cited**
U.S. PATENT DOCUMENTS
D546,484 S * 7/2007 Anderson D26/28
D601,746 S * 10/2009 Sabernig D26/120

D622,897 S * 8/2010 Unsworth D26/124
D656,267 S * 3/2012 Laporte D26/120
D711,039 S * 8/2014 Huang D26/120
D711,040 S * 8/2014 Huang D26/120
D735,928 S * 8/2015 Hawkins D26/120
D796,723 S * 9/2017 Sonneman D26/85
D796,724 S * 9/2017 Sonneman D26/85
D807,561 S * 1/2018 Ng D26/88
D820,495 S * 6/2018 Van Compel D26/74
D841,875 S * 2/2019 Luo D26/120
D862,787 S * 10/2019 Rashidi Doust D26/120
D866,841 S * 11/2019 Vasylyev D26/85
D866,847 S * 11/2019 Lafleur D26/120
D866,848 S * 11/2019 Lafleur D26/120
D866,849 S * 11/2019 Lafleur D26/120
D908,271 S * 1/2021 Hawthorne D26/120

* cited by examiner

Primary Examiner — David G Muller
(74) *Attorney, Agent, or Firm* — Birch, Stewart, Kolasch & Birch, LLP

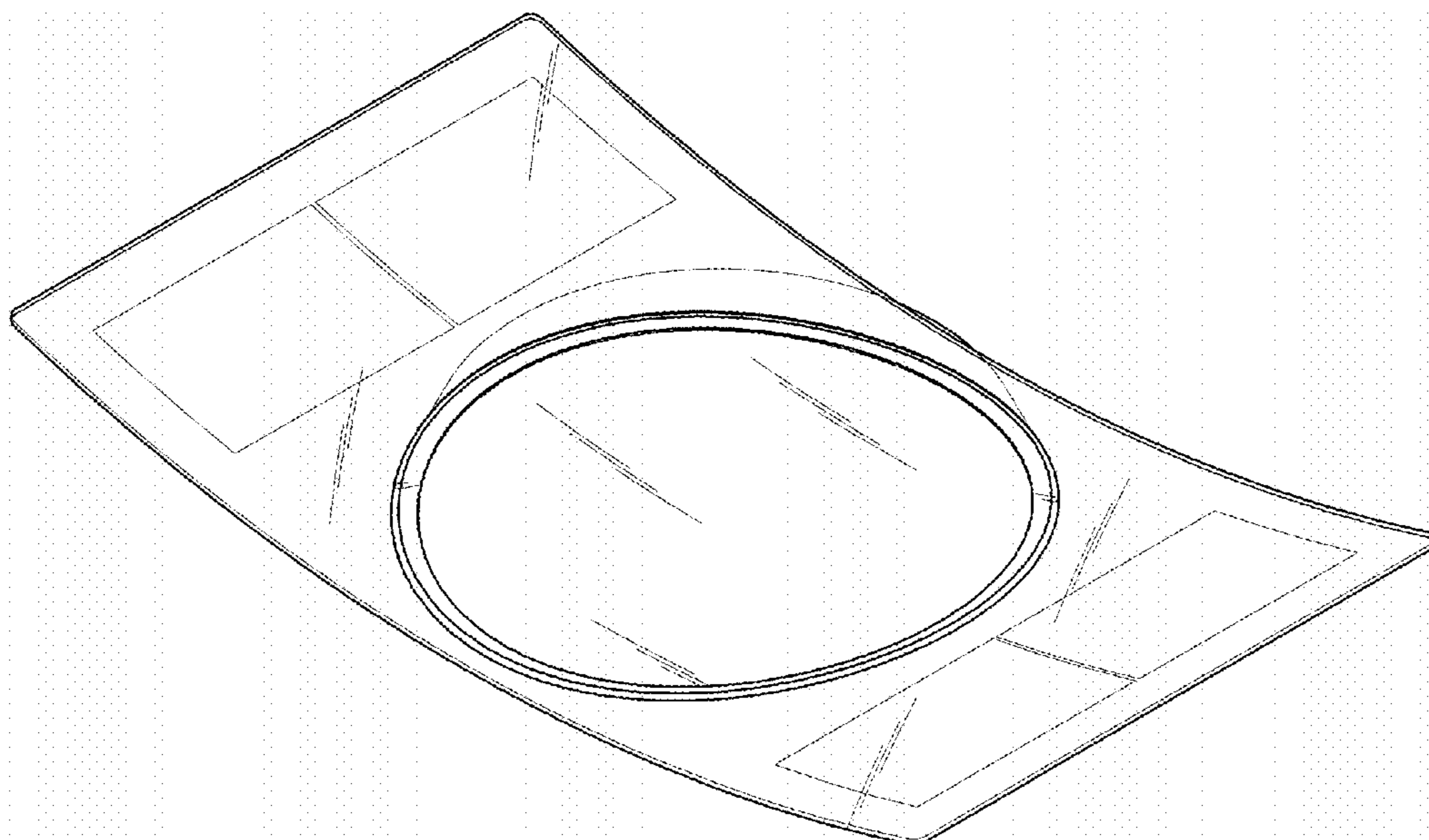
(57) **CLAIM**

We claim the ornamental design for an air purifier with light, as shown and described.

DESCRIPTION

FIG. 1 is a perspective view of an air purifier with light showing the new design;
FIG. 2 is a front elevation view thereof;
FIG. 3 is a rear elevation view thereof;
FIG. 4 is a left-side elevation view thereof;
FIG. 5 is a right-side elevation view thereof;
FIG. 6 is a top plan view thereof; and,
FIG. 7 is a bottom plan view thereof.

1 Claim, 7 Drawing Sheets



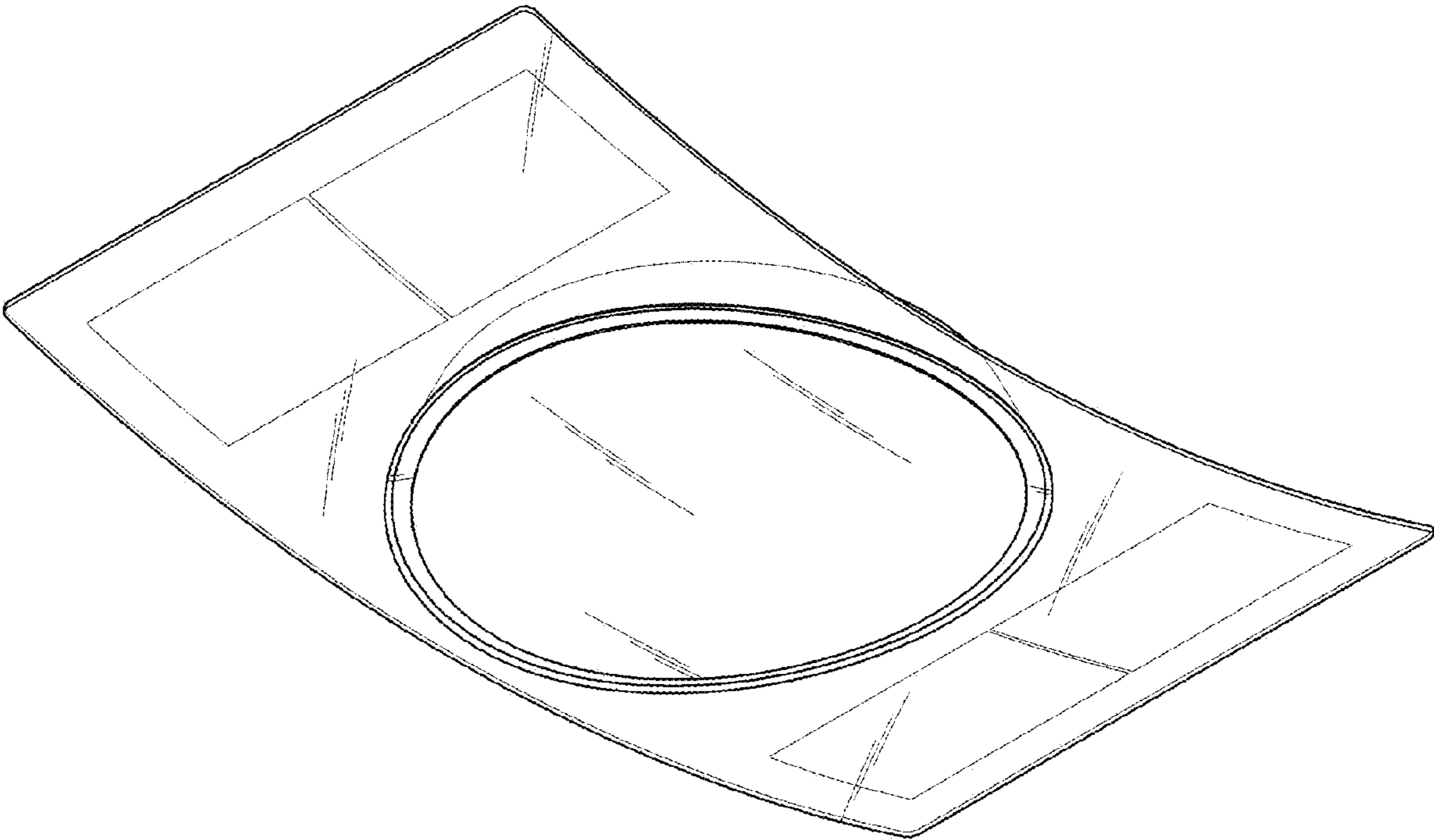


Fig. 1

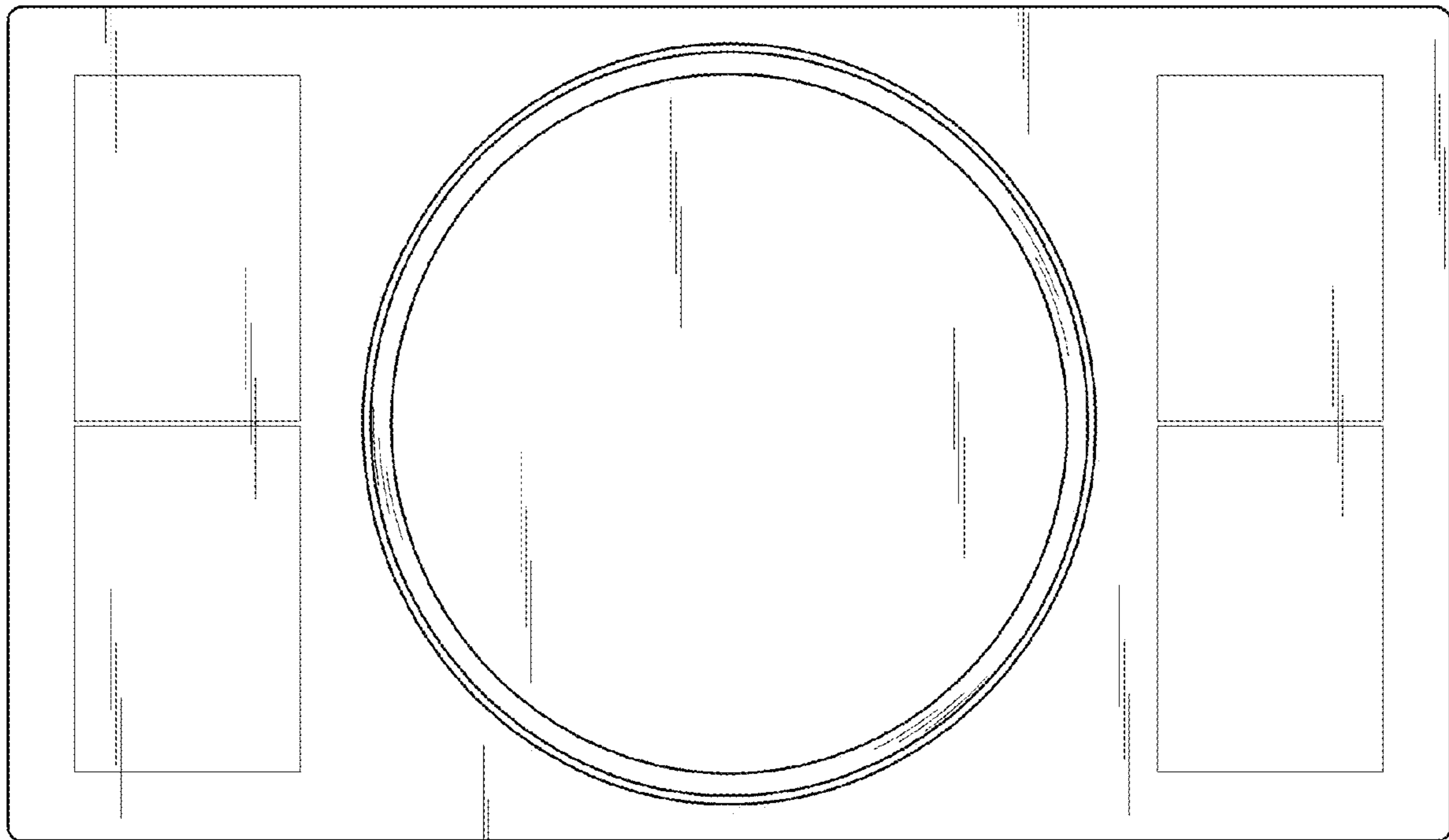


Fig. 2

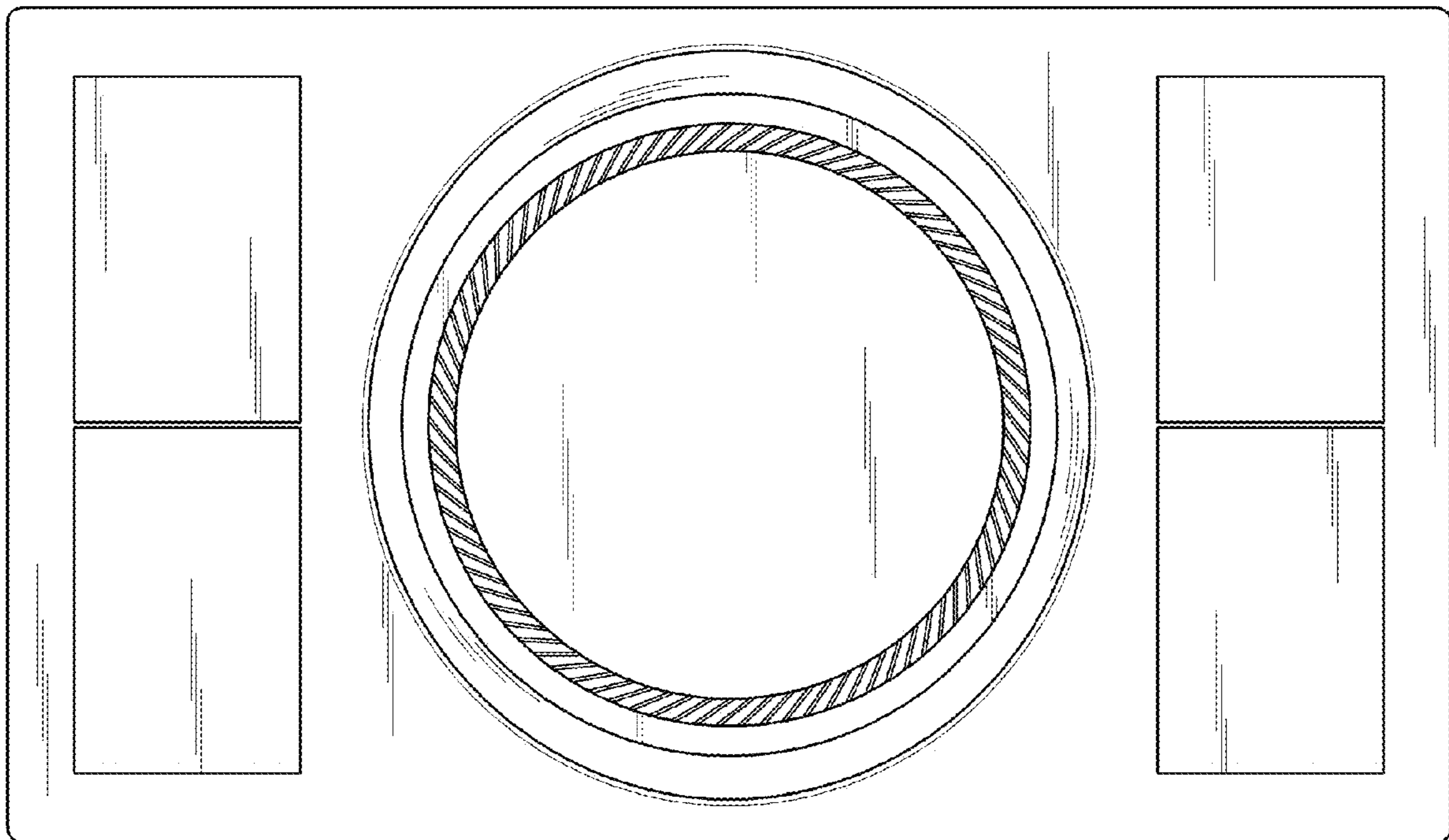


Fig. 3

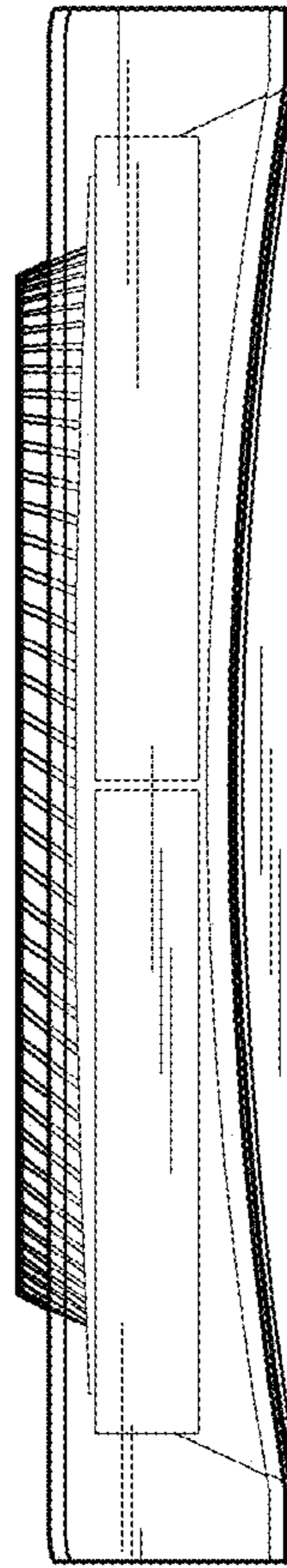


Fig. 4

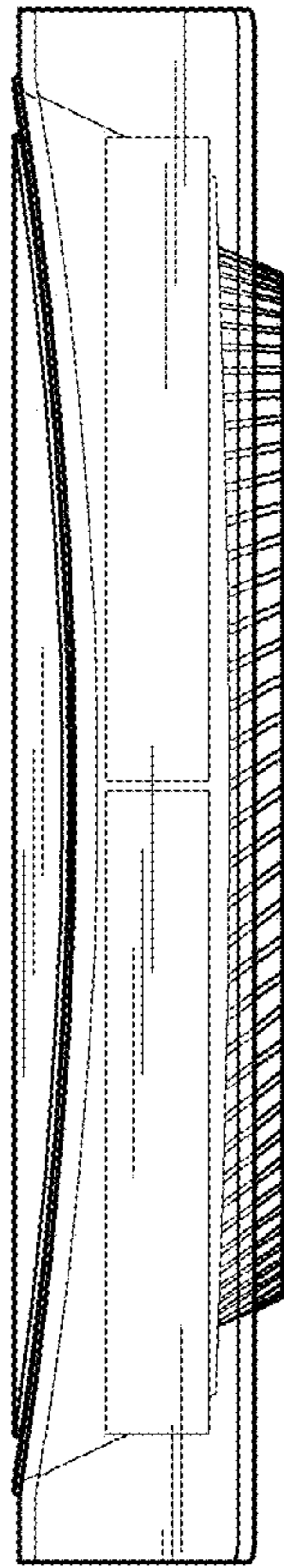


Fig. 5

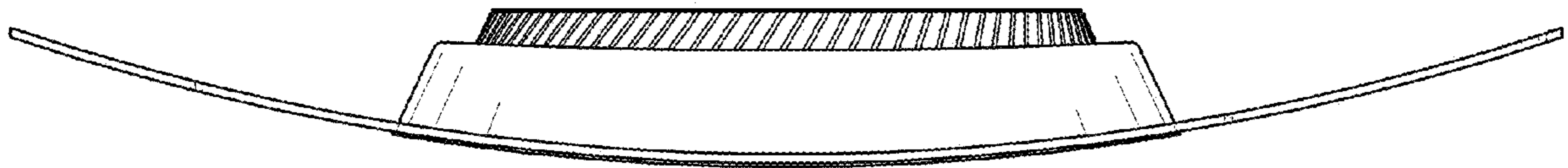


Fig. 6

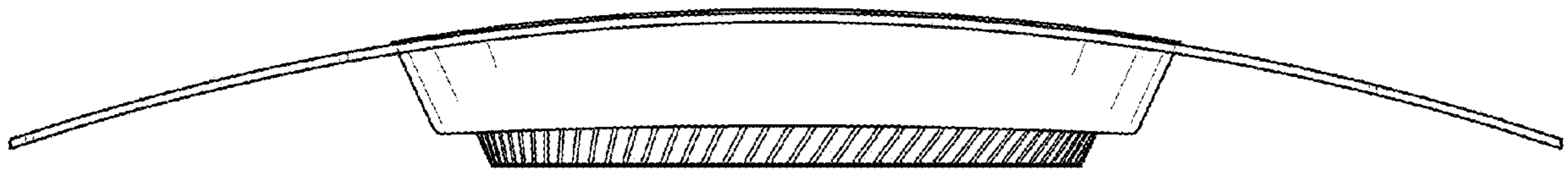


Fig. 7