



US00D916259S

(12) **United States Design Patent** (10) **Patent No.:** **US D916,259 S**
Hale et al. (45) **Date of Patent:** **** Apr. 13, 2021**

- (54) **FIRE PIT**
- (71) Applicant: **QUALITY CRAFT INDUSTRIES, INC.**, Rogersville, MO (US)
- (72) Inventors: **Dennis Hale**, Willowbrook, IL (US); **Marcus Willi Karl Gerhard Bosch**, Belding, MI (US)
- (73) Assignee: **Quality Craft Industries Inc.**, Romeoville, IL (US)
- (**) Term: **15 Years**
- (21) Appl. No.: **29/705,528**
- (22) Filed: **Sep. 12, 2019**
- (51) **LOC (13) Cl.** **23-03**
- (52) **U.S. Cl.**
USPC **D23/332**
- (58) **Field of Classification Search**
USPC D23/332, 314, 343, 348, 350, 346;
D7/332-337, 402-405, 352
CPC F24C 1/16; F24C 5/00; F24C 3/14; A47J
33/00; A47J 37/0763; A47J 37/07; F24B
1/18; F24B 1/182; F24B 1/1808; F24B
1/181; F24B 1/195; F24B 1/191
See application file for complete search history.

2012/0060819 A1* 3/2012 Hunt F24B 1/182
126/1 R
2014/0238378 A1 8/2014 Scott
2019/0137107 A1* 5/2019 Crosen F24B 1/181
2020/0208842 A1* 7/2020 Jan F24B 1/181

FOREIGN PATENT DOCUMENTS

DE 10236945 A1 3/2004

* cited by examiner

Primary Examiner — Ania Aman

(74) *Attorney, Agent, or Firm* — Shook, Hardy & Bacon L.L.P.

(57) **CLAIM**

The ornamental design for a fire pit, as shown and described.

DESCRIPTION

FIG. 1 is a top, front, right perspective view of a fire pit showing our design according to a first embodiment;
 FIG. 2 is a front view thereof;
 FIG. 3 is a left side view thereof;
 FIG. 4 is a right side view thereof;
 FIG. 5 is a rear view thereof;
 FIG. 6 is a top view thereof;
 FIG. 7 is a bottom view thereof;
 FIG. 8 is a top, front, right perspective view of a fire pit showing our design according to a second embodiment;
 FIG. 9 is a front view thereof;
 FIG. 10 is a left side view thereof;
 FIG. 11 is a right side view thereof;
 FIG. 12 is a rear view thereof;
 FIG. 13 is a top view thereof; and,
 FIG. 14 is a bottom view thereof.

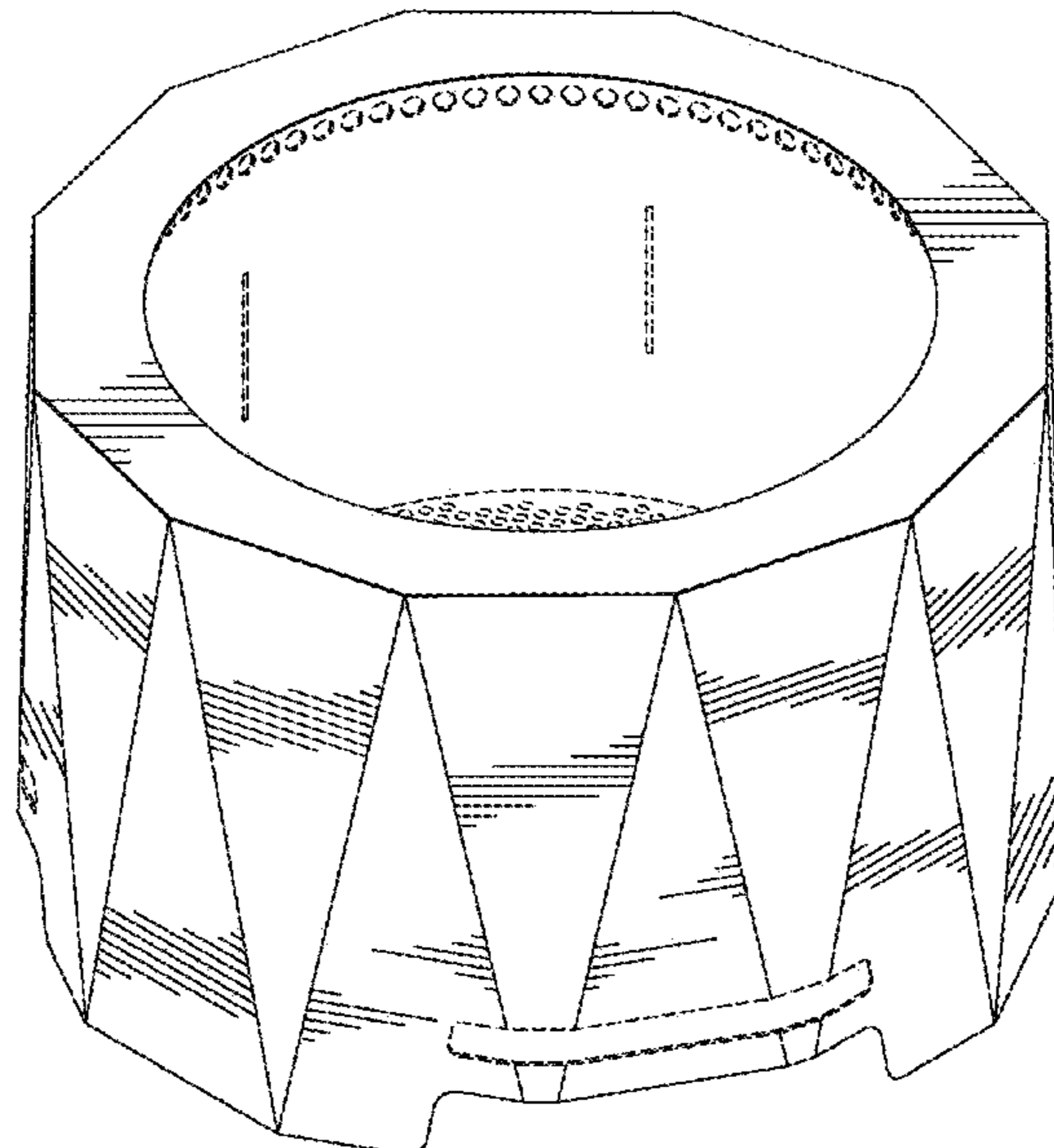
The broken line shown in the drawings are for the purpose of illustrating portions of the article and form no part of the claimed design.

(56) **References Cited**

U.S. PATENT DOCUMENTS

D257,206 S *	10/1980	Vincent	D6/695.6
D273,264 S *	4/1984	Elliston	D7/332
5,651,356 A *	7/1997	Kaines	A47J 27/026 126/204
D440,289 S *	4/2001	Olson	D23/350
D440,299 S *	4/2001	Tseng	D23/402
D615,185 S *	5/2010	Davies	D23/415
D701,721 S	4/2014	Jan		
D734,975 S	7/2015	Troyer, Jr.		
D858,729 S	9/2019	Scott		

1 Claim, 10 Drawing Sheets



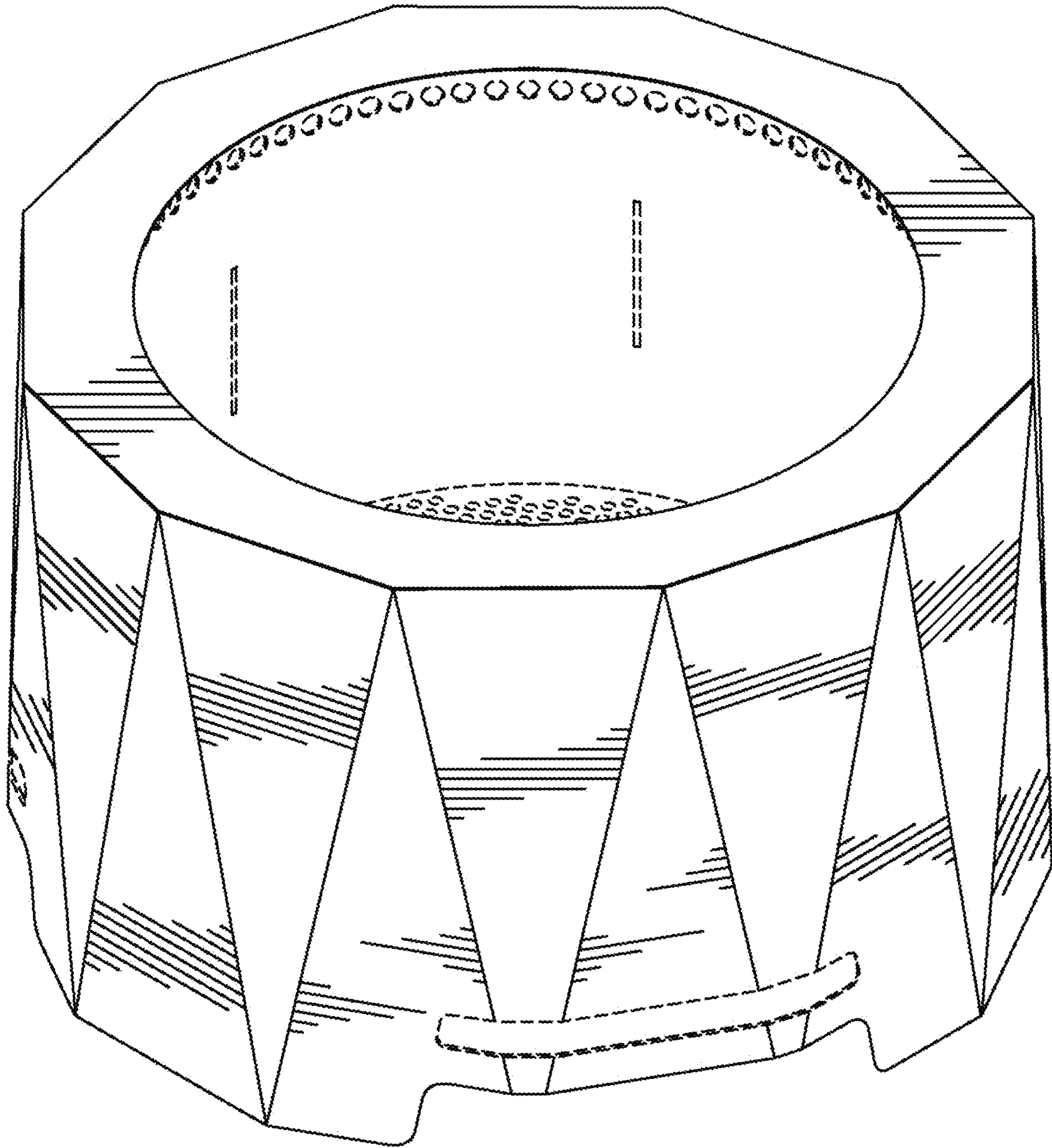


FIG. 1.

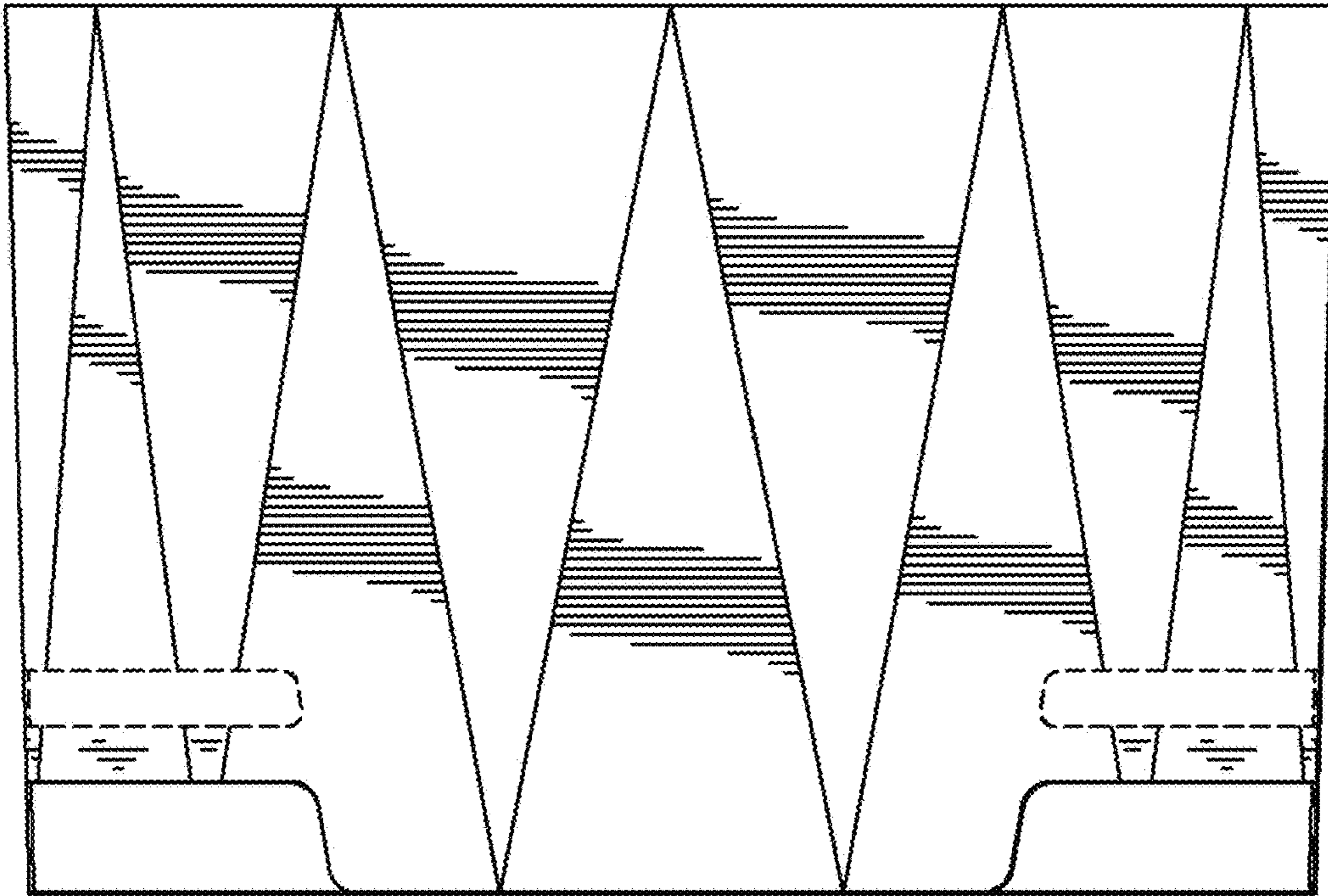


FIG. 2.

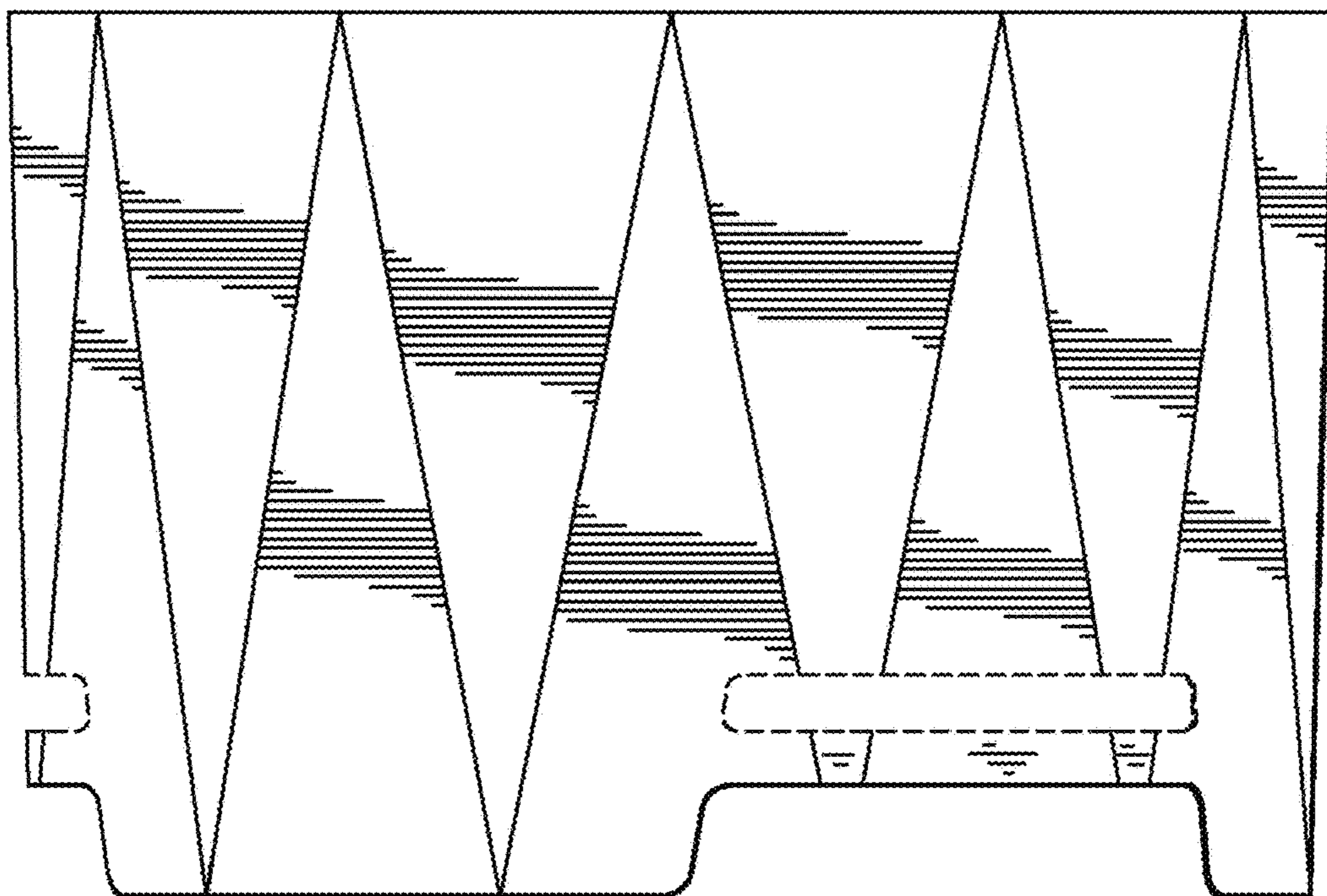


FIG. 3.

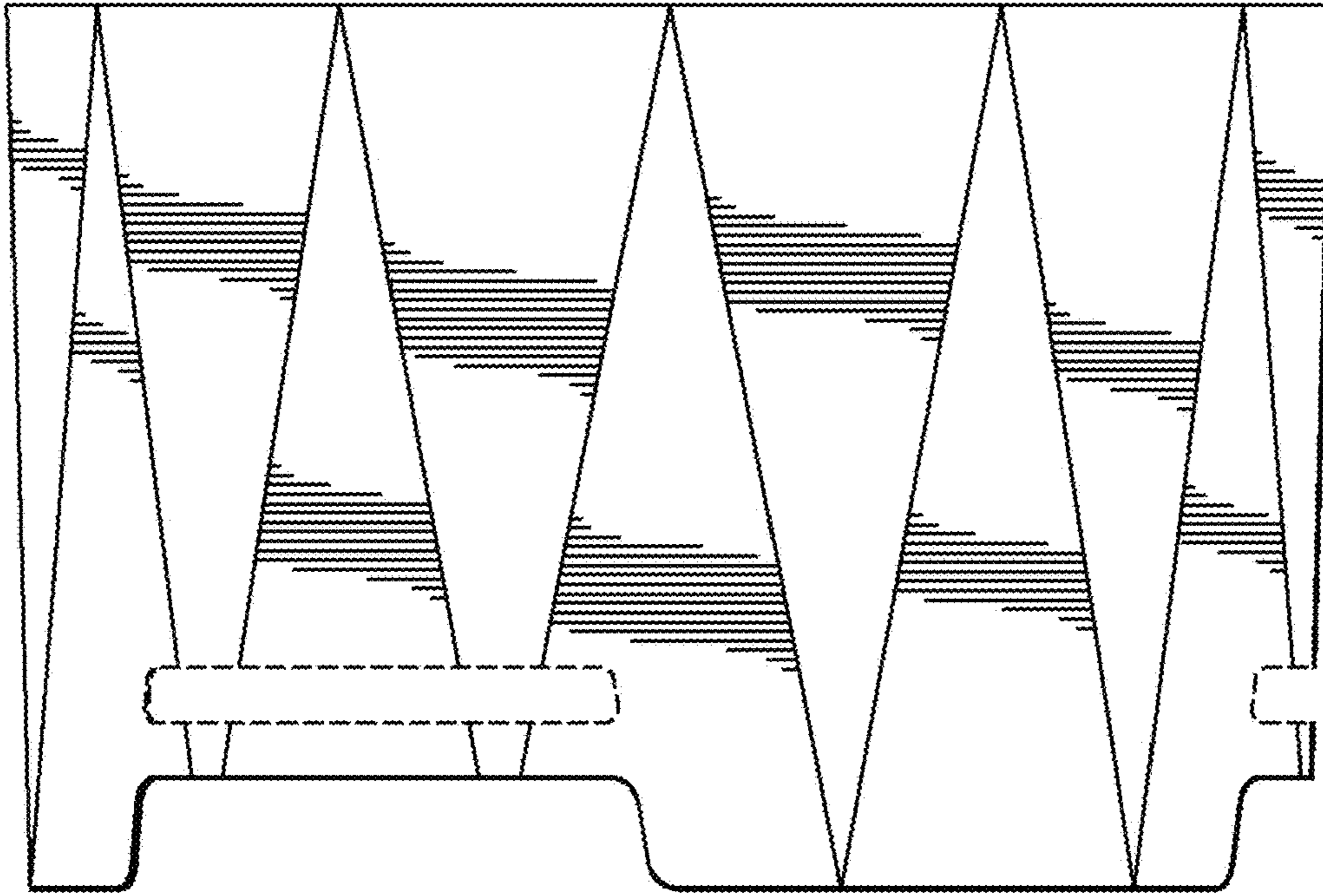


FIG. 4.

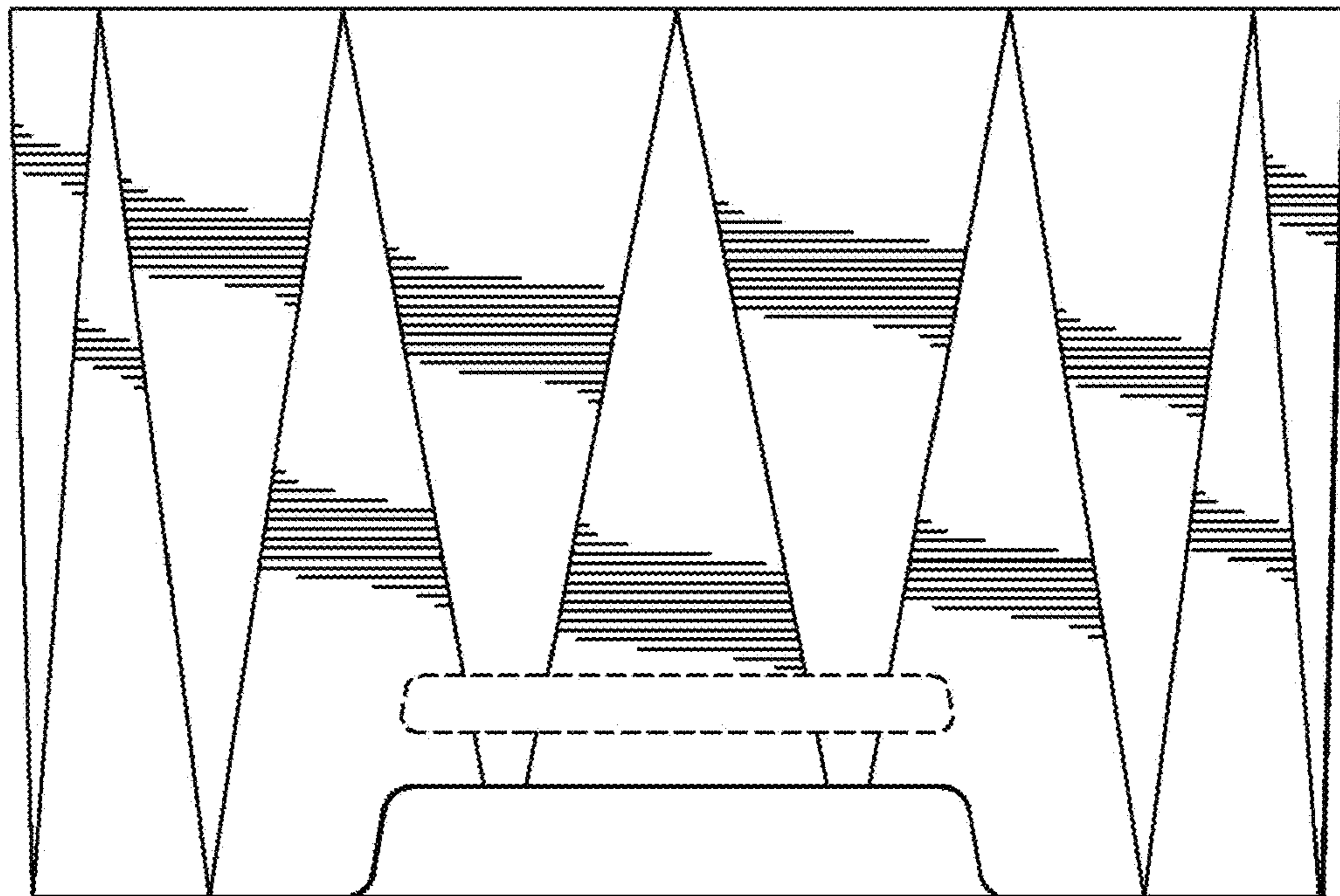


FIG. 5.

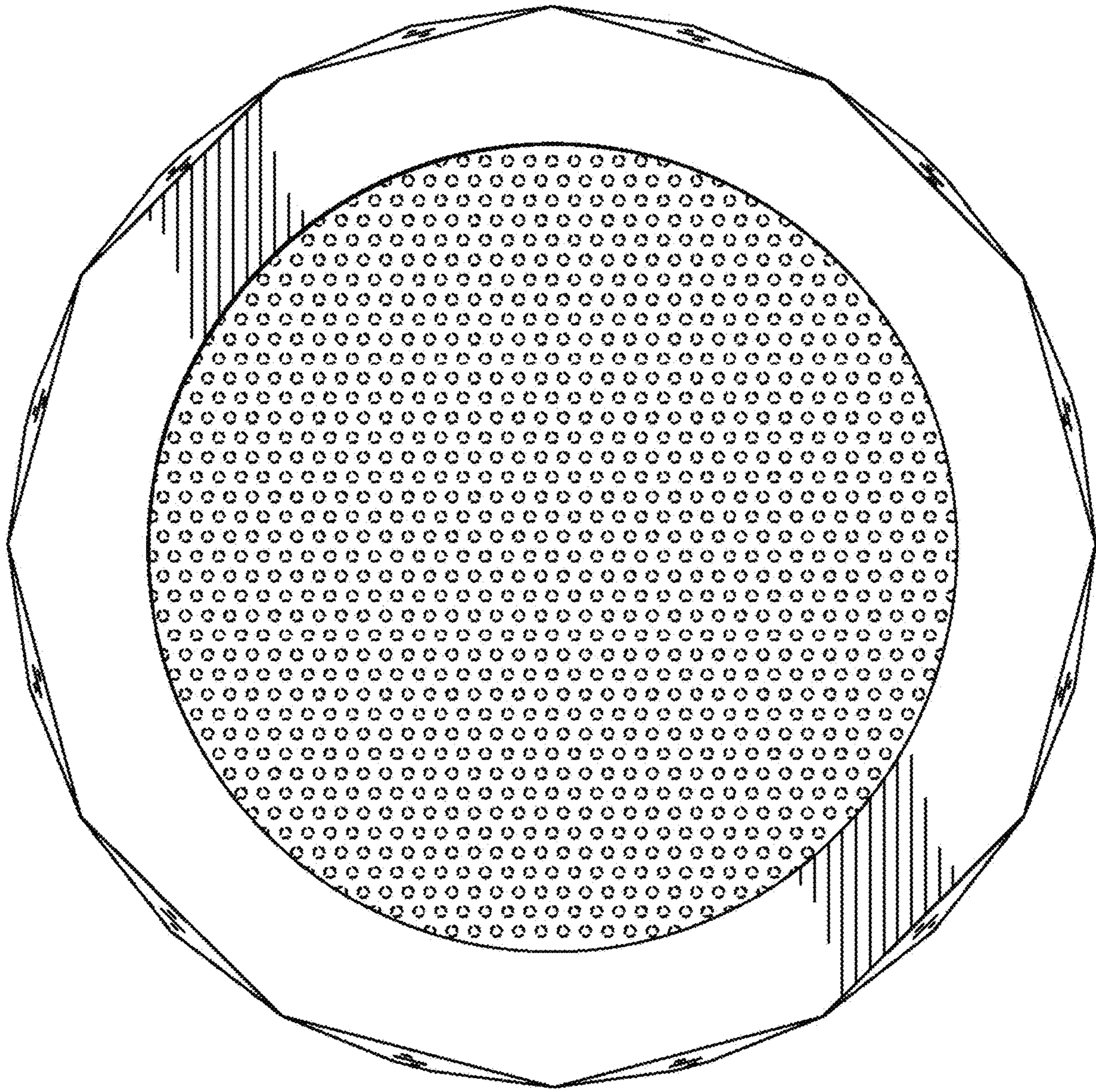


FIG. 6.

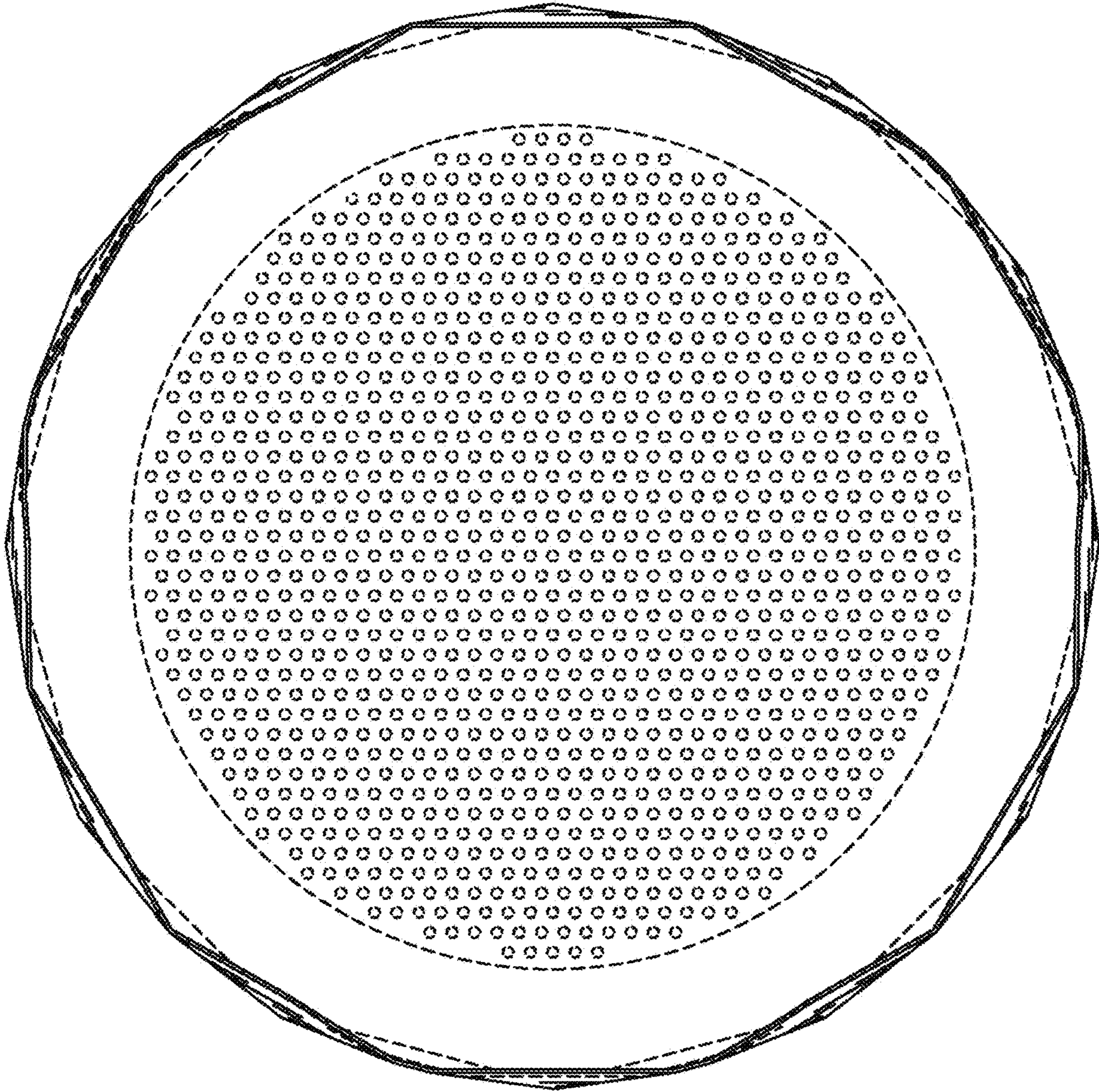


FIG. 7.

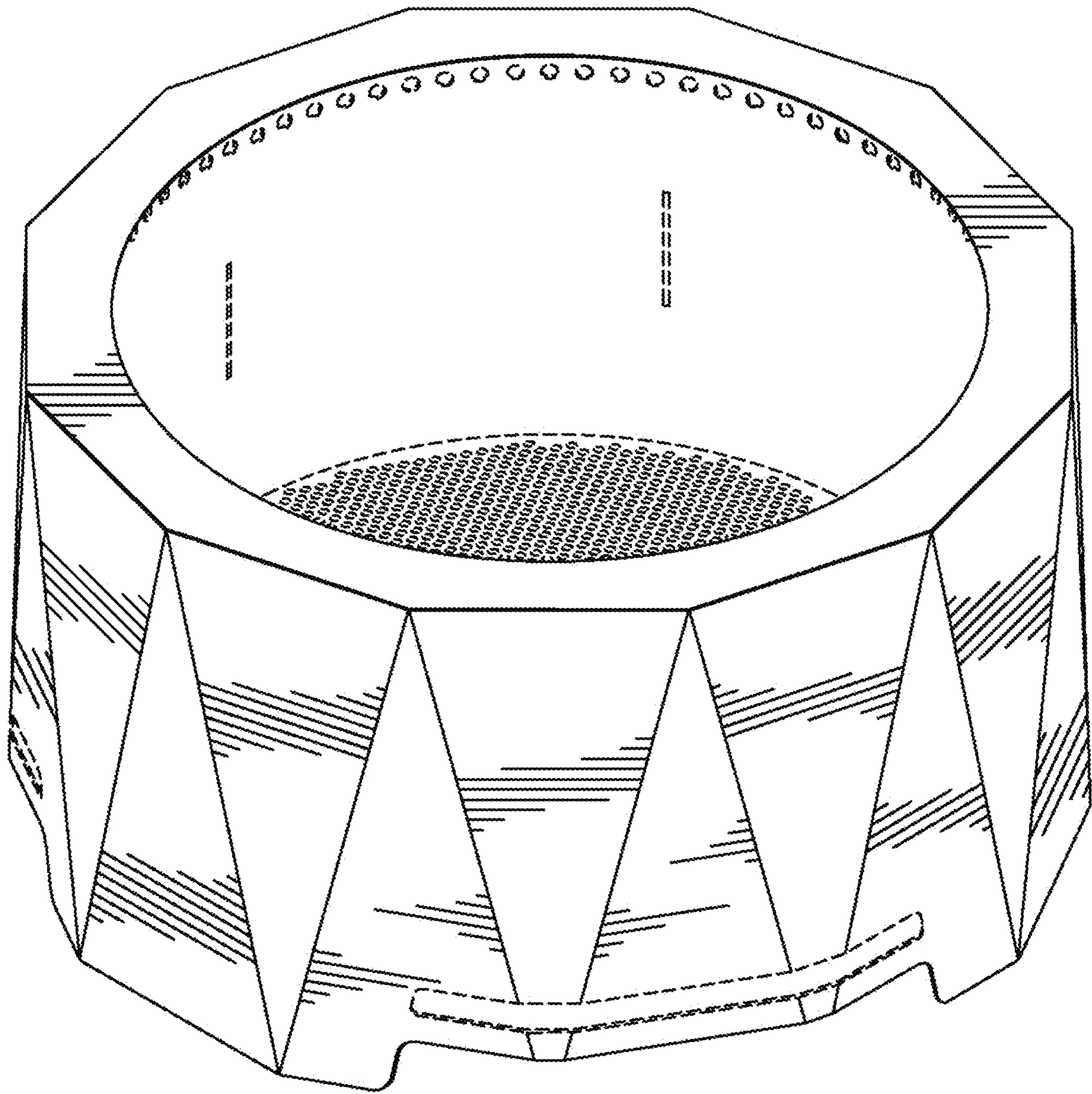


FIG. 8.

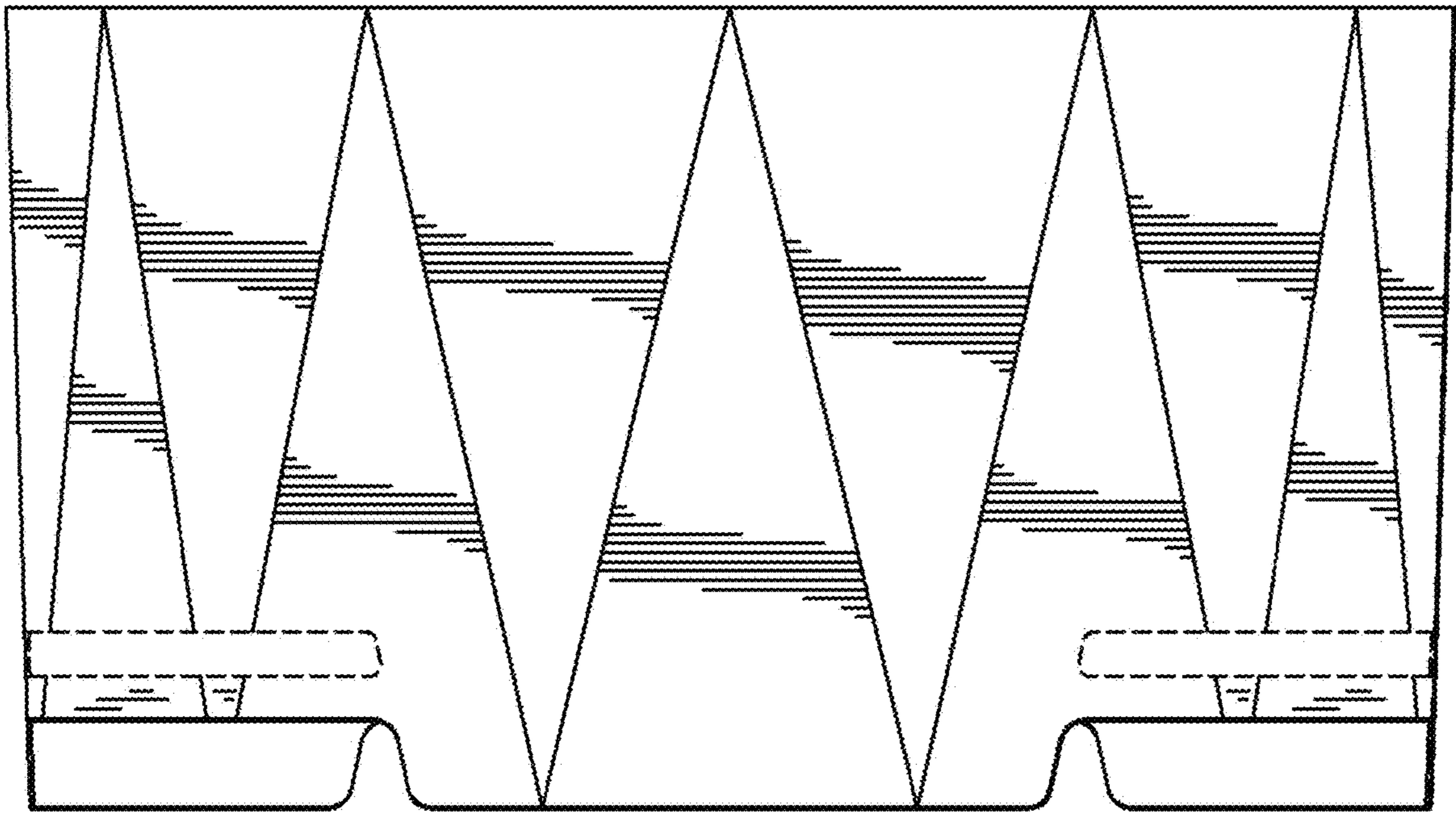


FIG. 9.

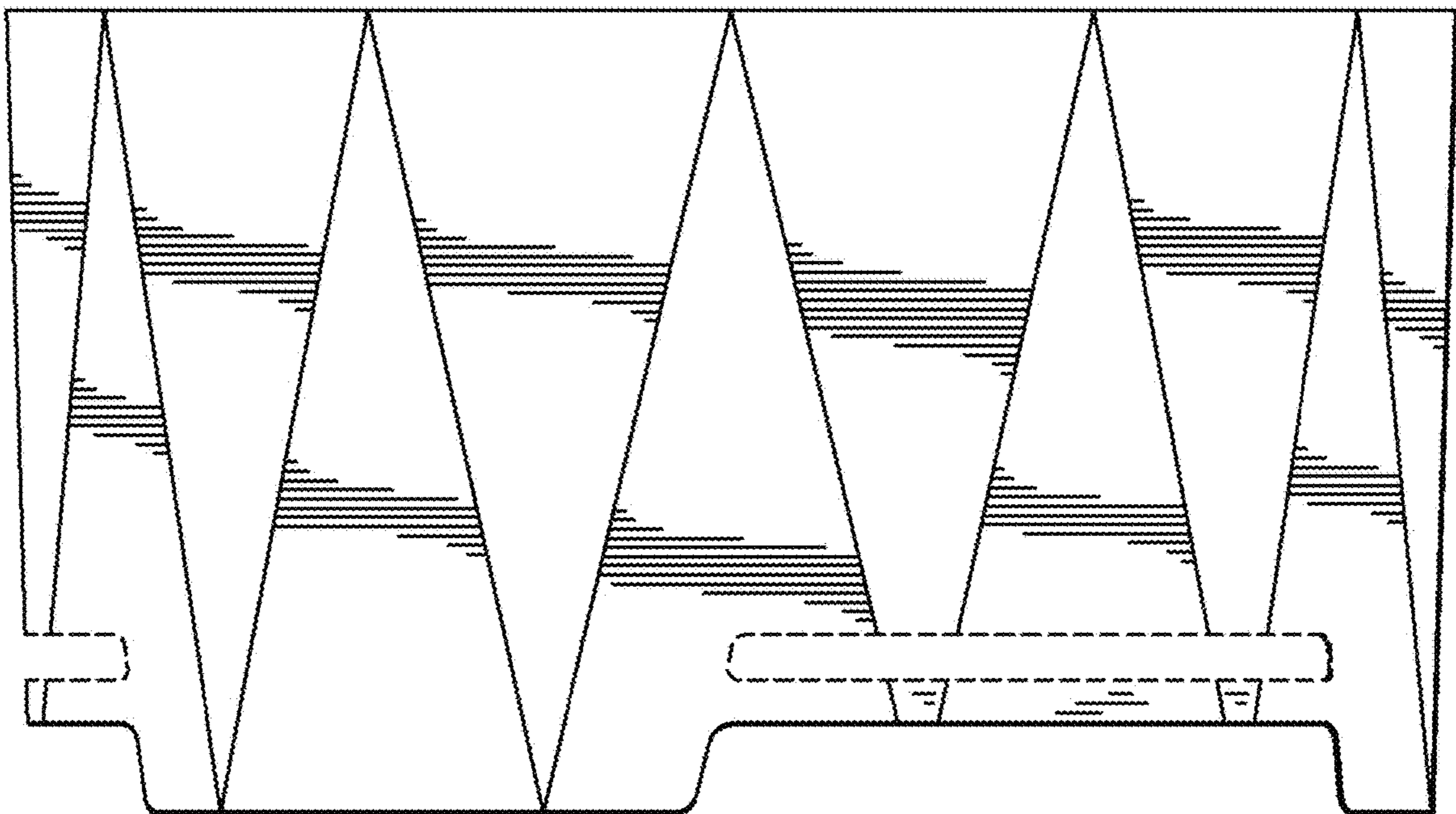


FIG. 10.

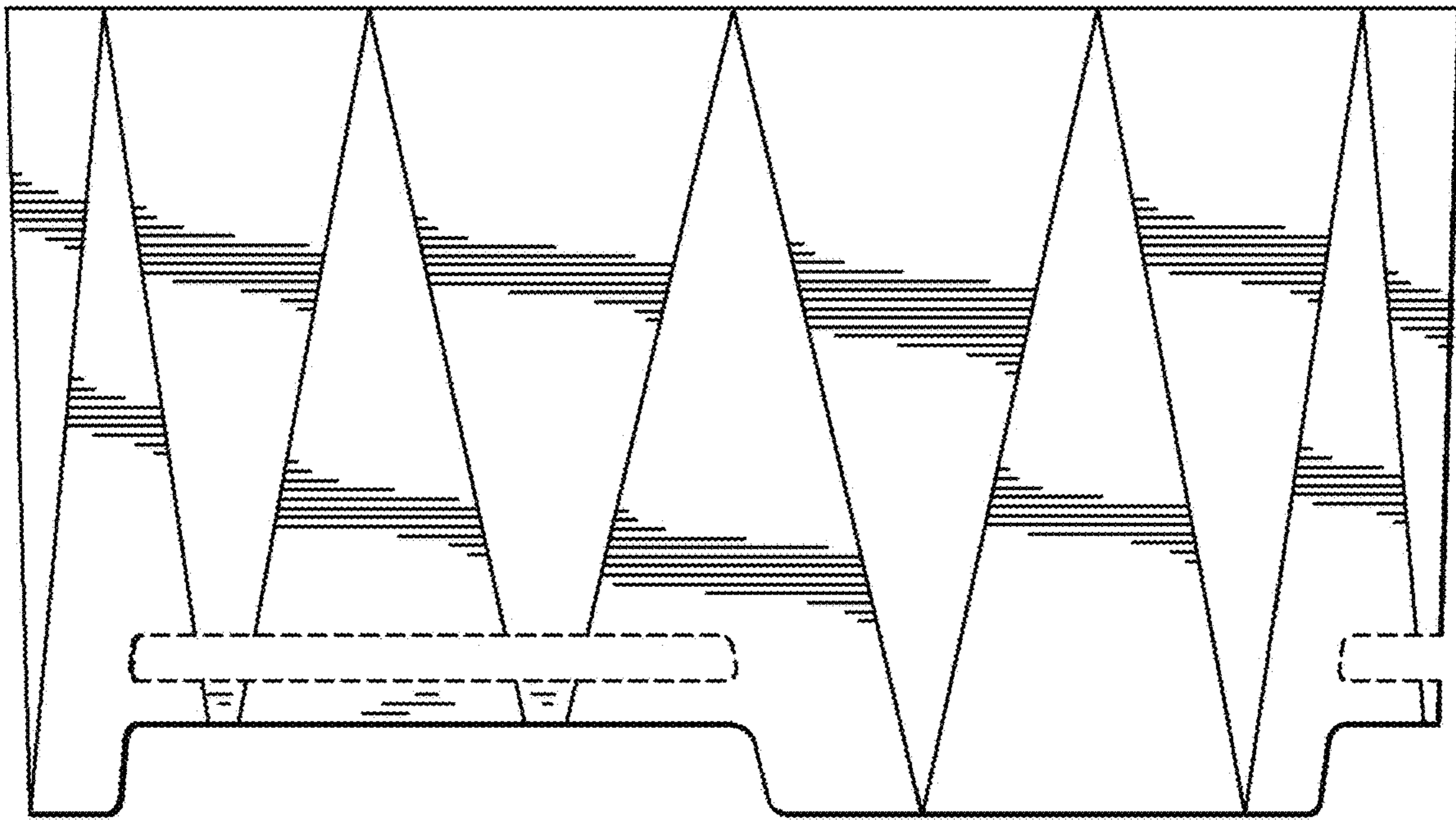


FIG. 11.

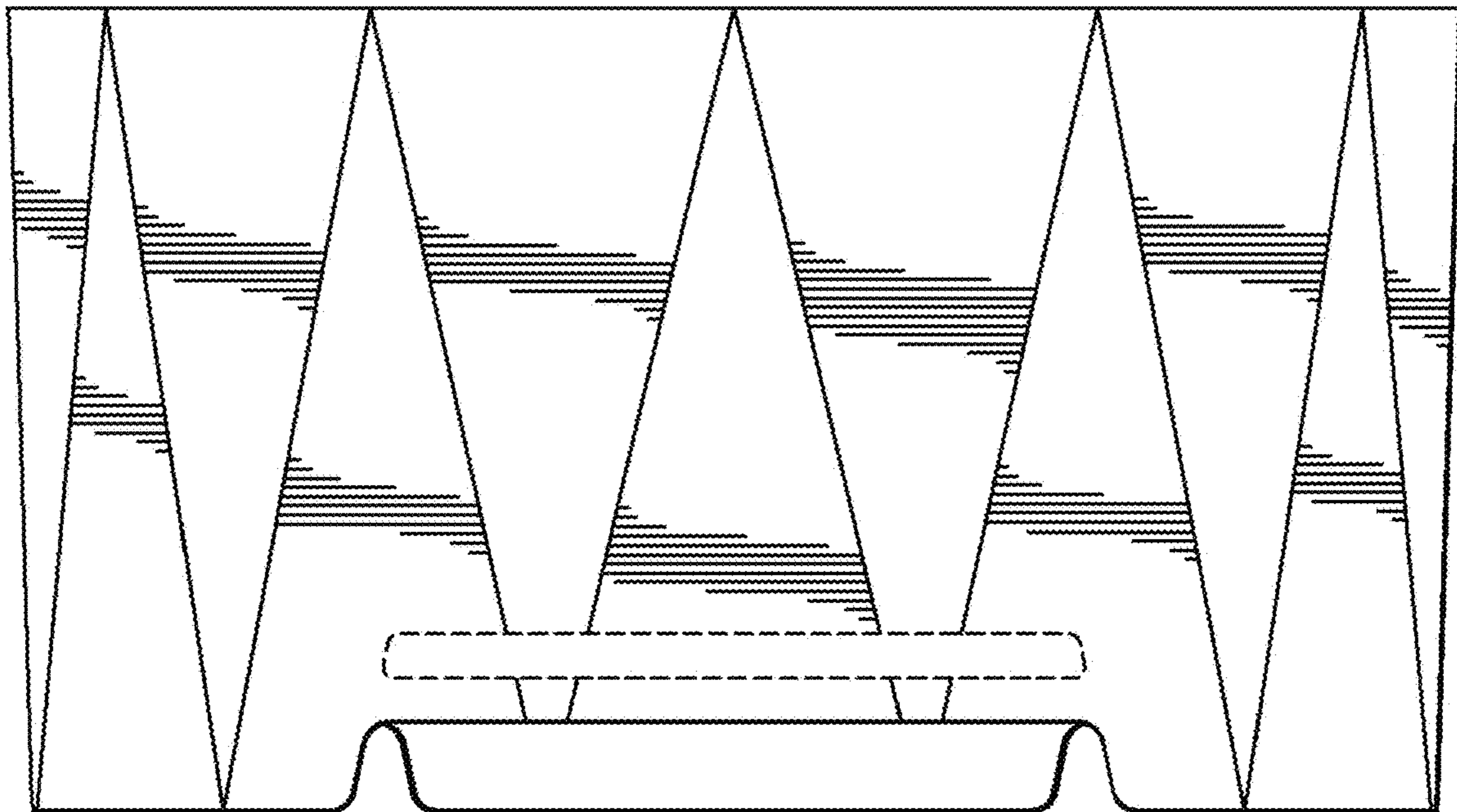


FIG. 12.

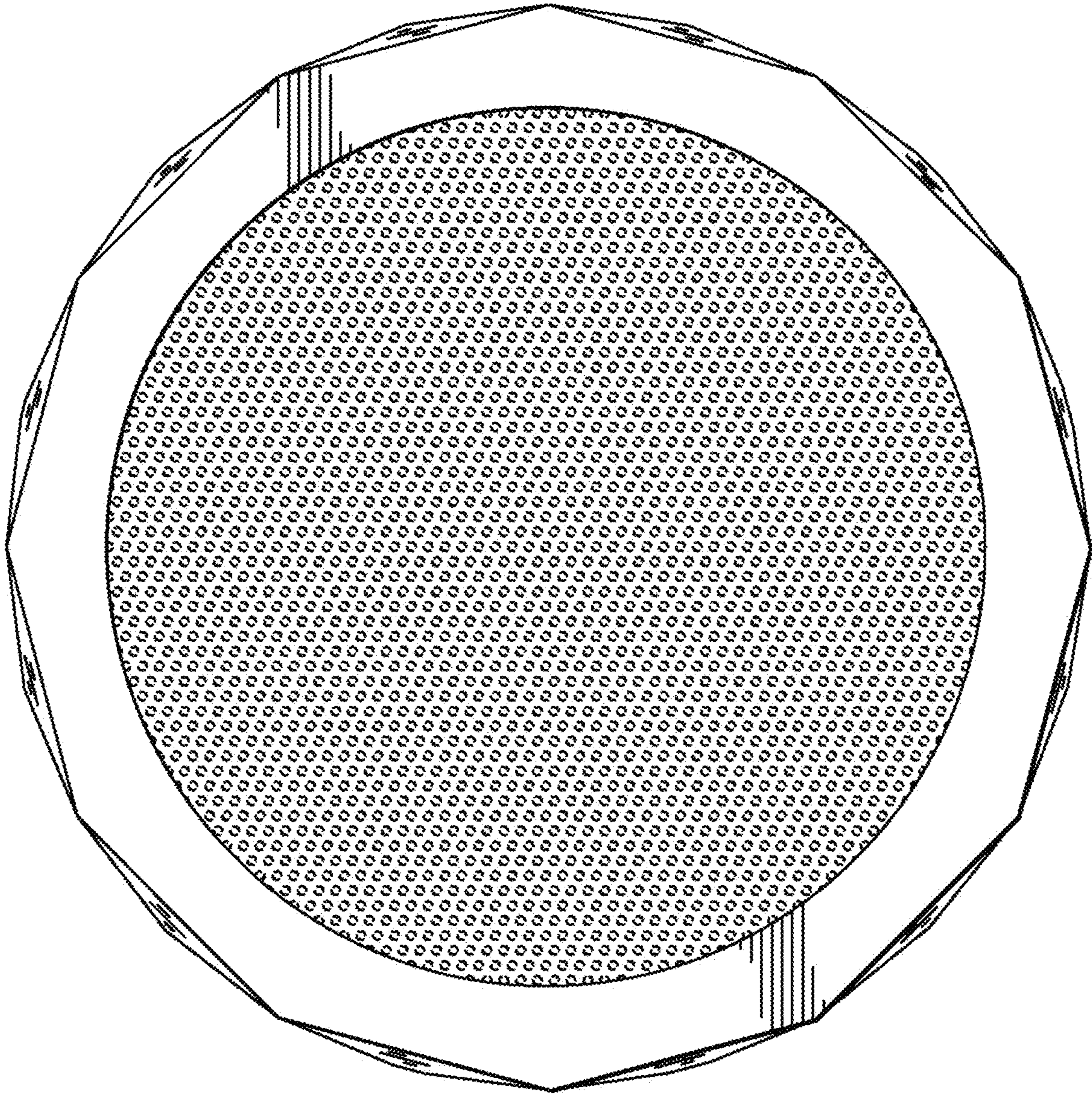


FIG. 13.

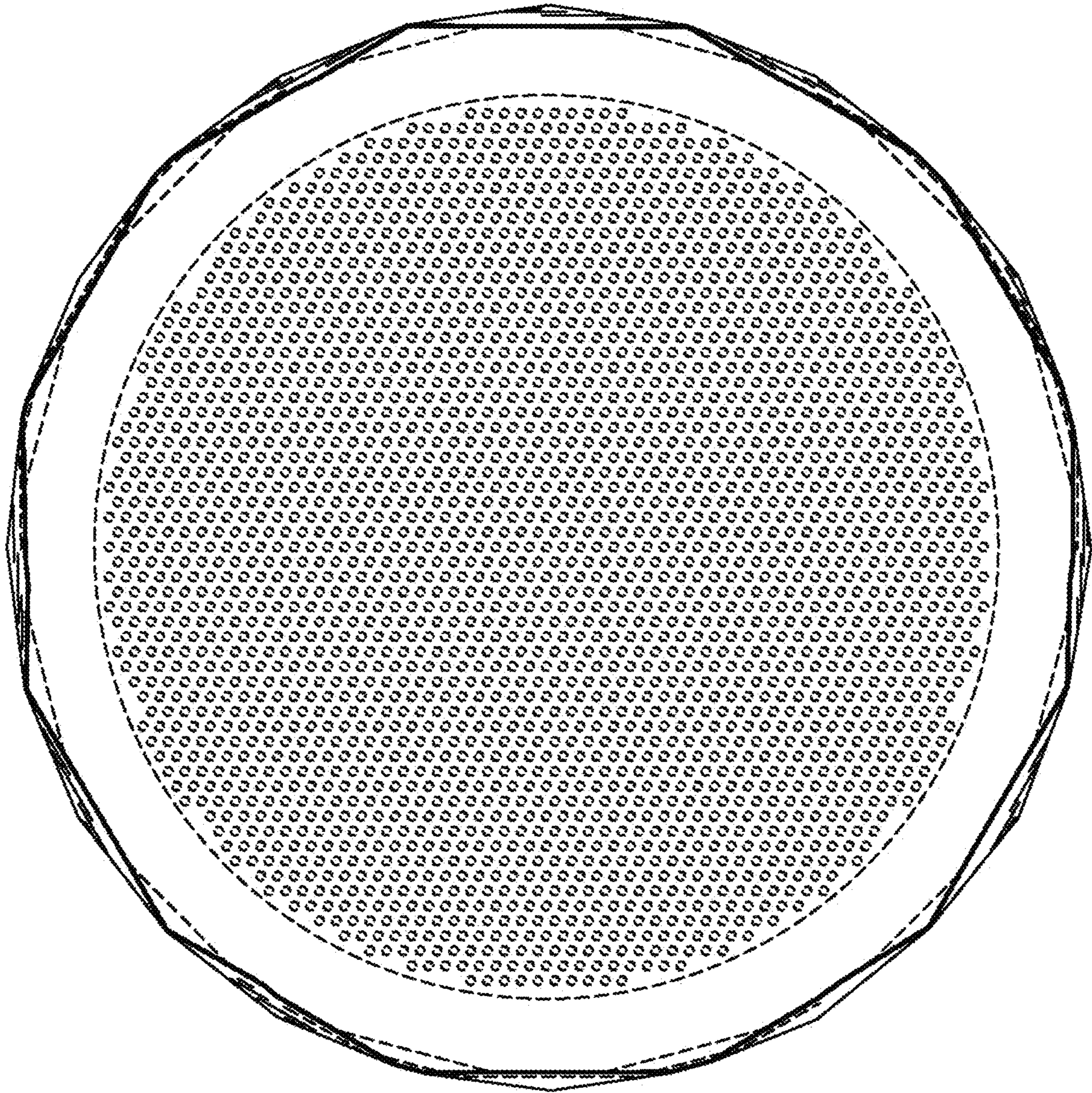


FIG. 14.