



US00D916258S

(12) **United States Design Patent** (10) **Patent No.:** **US D916,258 S**
Oohigashi et al. (45) **Date of Patent:** **** Apr. 13, 2021**

(54) **HEAT EXCHANGER FOR WATER HEATER**

(71) Applicant: **NORITZ CORPORATION**, Hyogo (JP)

(72) Inventors: **Takeshi Oohigashi**, Hyogo (JP);
Masaki Kondo, Hyogo (JP); **Norihide Wada**, Hyogo (JP)

(73) Assignee: **NORITZ CORPORATION**, Hyogo (JP)

(**) Term: **15 Years**

(21) Appl. No.: **29/758,048**

(22) Filed: **Nov. 12, 2020**

Related U.S. Application Data

(62) Division of application No. 29/702,759, filed on Aug. 22, 2019.

(51) **LOC (13) Cl.** **23-03**

(52) **U.S. Cl.**
USPC **D23/323**

(58) **Field of Classification Search**
USPC D23/314, 318, 319, 320, 321, 322, 323
CPC F23D 14/586; F24H 1/145; F24H 8/006;
F24H 1/40; F24H 8/00; F24H 1/41; F24H
1/445; F23L 17/005; F23J 15/06; F28D
1/05316; F28F 1/325
See application file for complete search history.

(56) **References Cited**

U.S. PATENT DOCUMENTS

D831,805 S	*	10/2018	Chiang	D23/329
D832,413 S	*	10/2018	Chiang	D23/329
2011/0017433 A1	*	1/2011	Ferberwee	F24H 8/00 165/157

2014/0190425 A1	*	7/2014	Oohigashi	F28F 1/325 122/18.4
2015/0176861 A1	*	6/2015	Karaki	F24H 1/43 122/18.4
2017/0059205 A1	*	3/2017	Kim	F24H 8/00
2017/0299274 A1	*	10/2017	Cho	F28D 9/0093
2017/0321970 A1	*	11/2017	Choi	F28F 9/0131
2017/0350618 A1	*	12/2017	Ojiro	F24H 1/145
2018/0087805 A1	*	3/2018	Ooshita	F28F 9/00
2018/0306529 A1	*	10/2018	Kasamatsu	F28D 1/0477
2019/0186784 A1	*	6/2019	Ono	F24H 9/02
2019/0186785 A1	*	6/2019	Ono	F24H 9/02
2019/0195563 A1	*	6/2019	Oohigashi	F24H 1/30

* cited by examiner

Primary Examiner — Ania Aman

(74) *Attorney, Agent, or Firm* — JCIPRNET

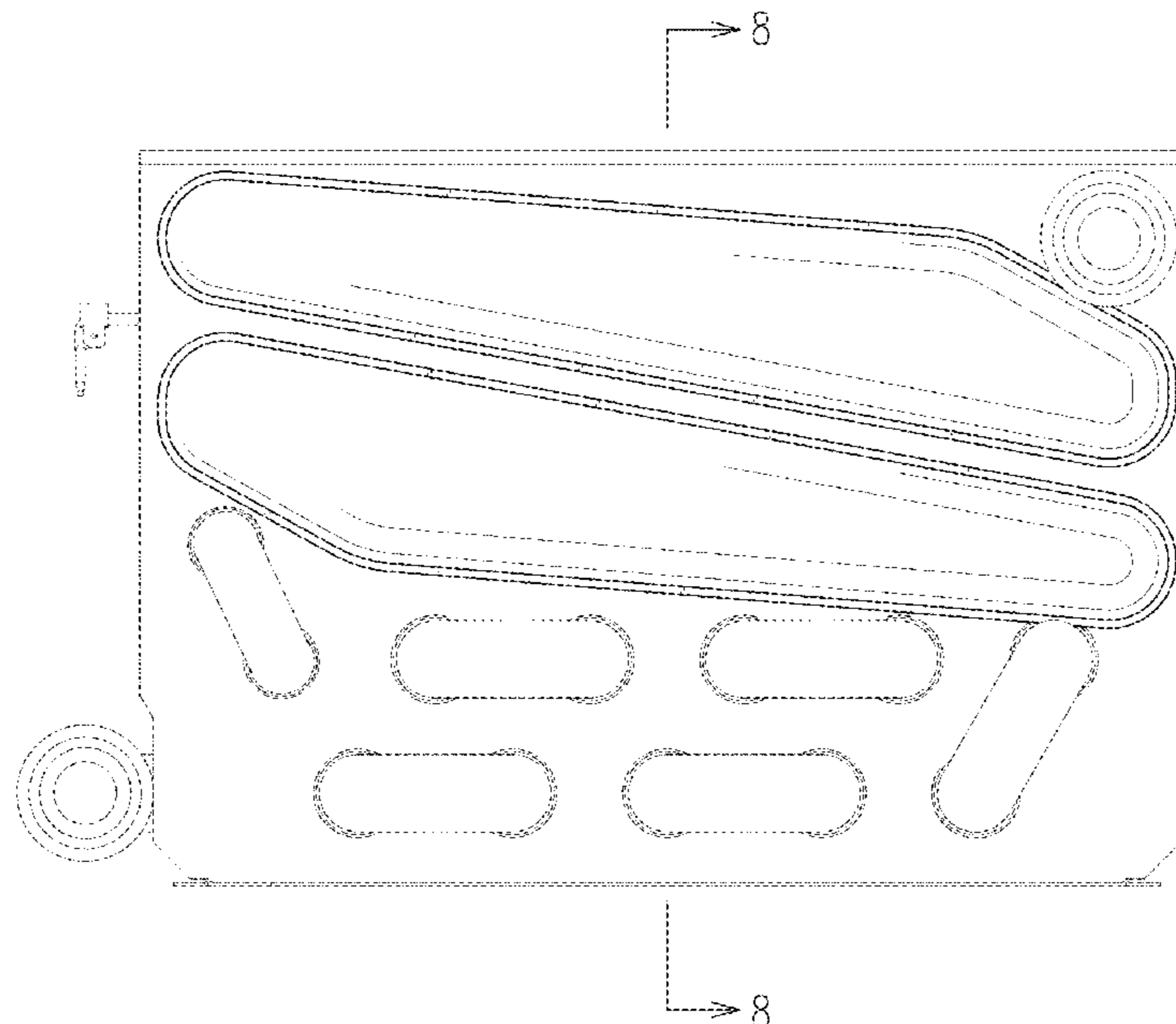
(57) **CLAIM**

The ornamental design for a heat exchanger for water heater, as shown and described.

DESCRIPTION

FIG. 1 is a front view of a heat exchanger for water heater showing our new design;
 FIG. 2 is a rear view thereof;
 FIG. 3 is a left side view thereof;
 FIG. 4 is a right side view thereof;
 FIG. 5 is a top view thereof;
 FIG. 6 is a bottom view thereof;
 FIG. 7 is a cross-sectional view taken along line 7-7 in FIG. 1 with the internal parts omitted; and,
 FIG. 8 is a cross-sectional view taken along line 8-8 in FIG. 4 with the internal parts omitted.
 The broken lines shown in the drawings represent portions of the heat exchanger for water heater that form no part of the claimed design.

1 Claim, 8 Drawing Sheets



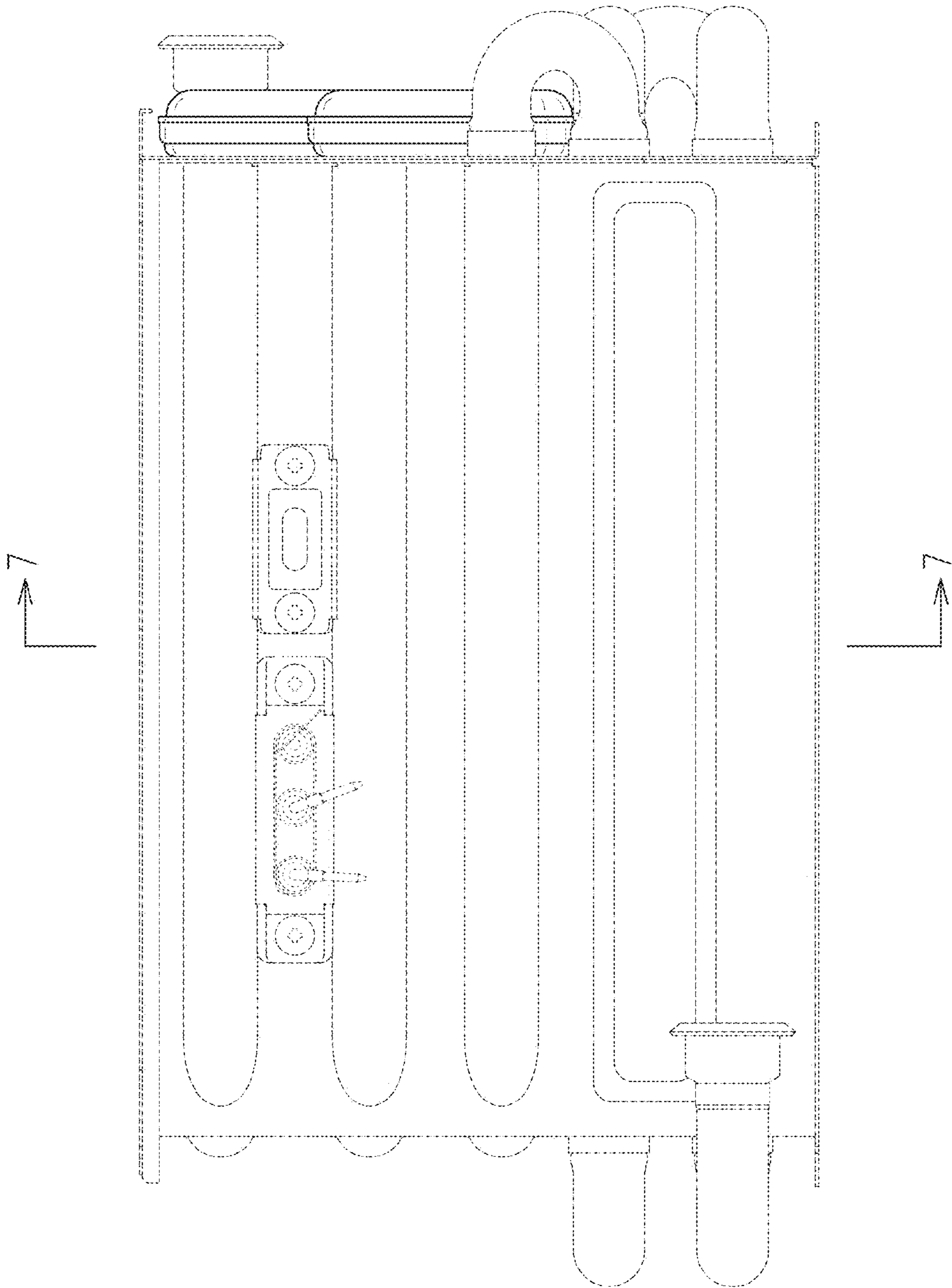


FIG. 1

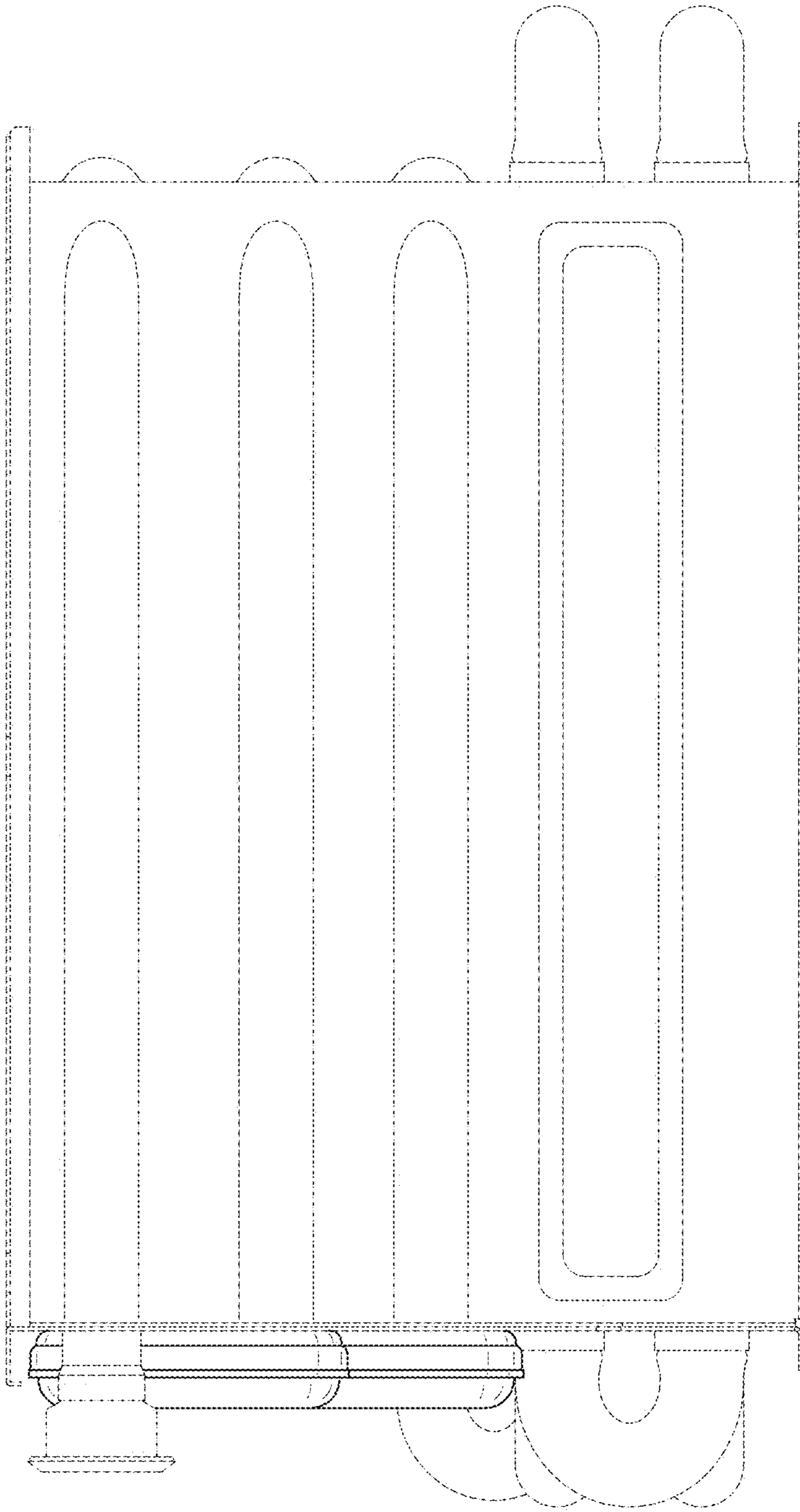


FIG. 2

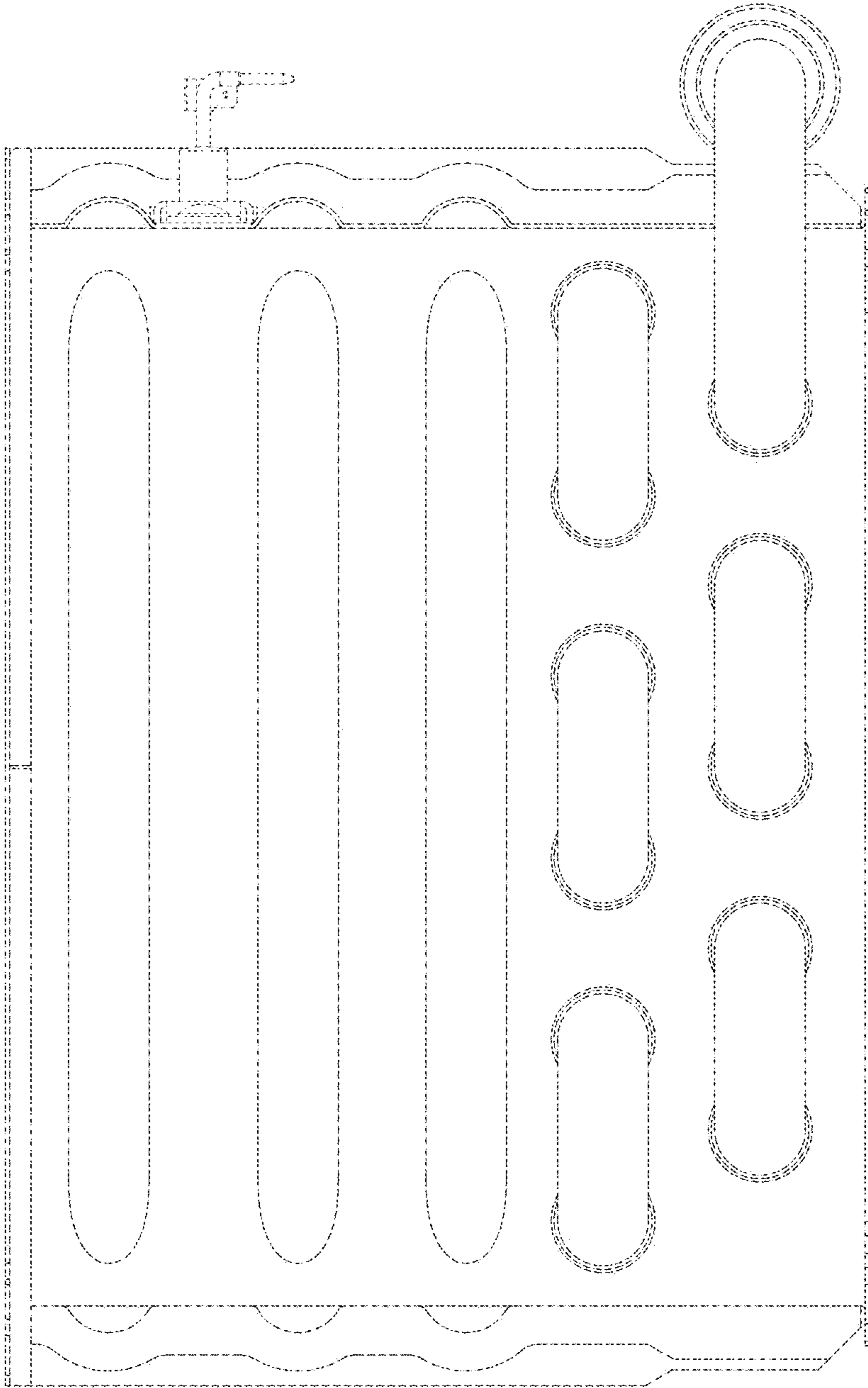


FIG. 3

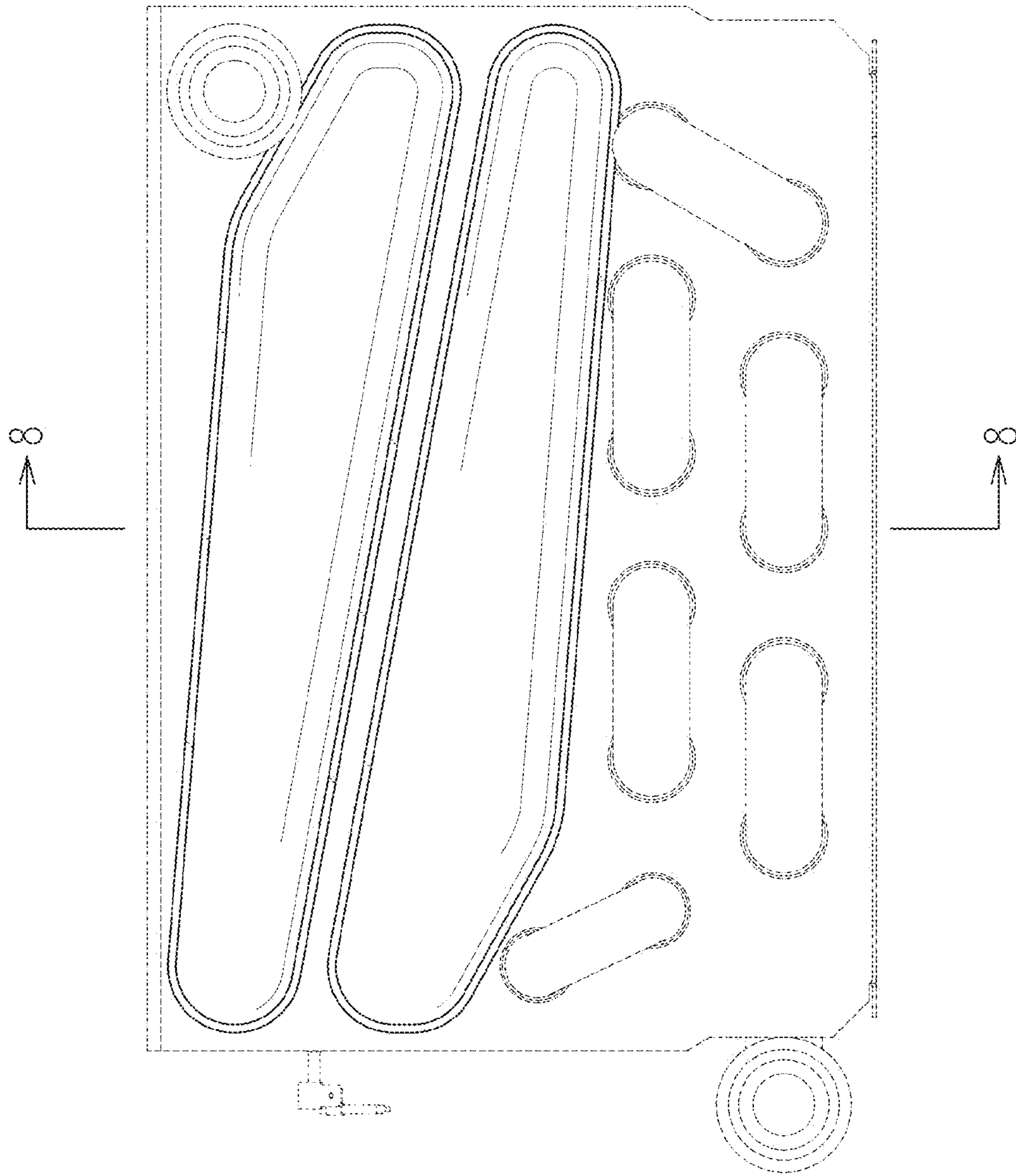


FIG. 4

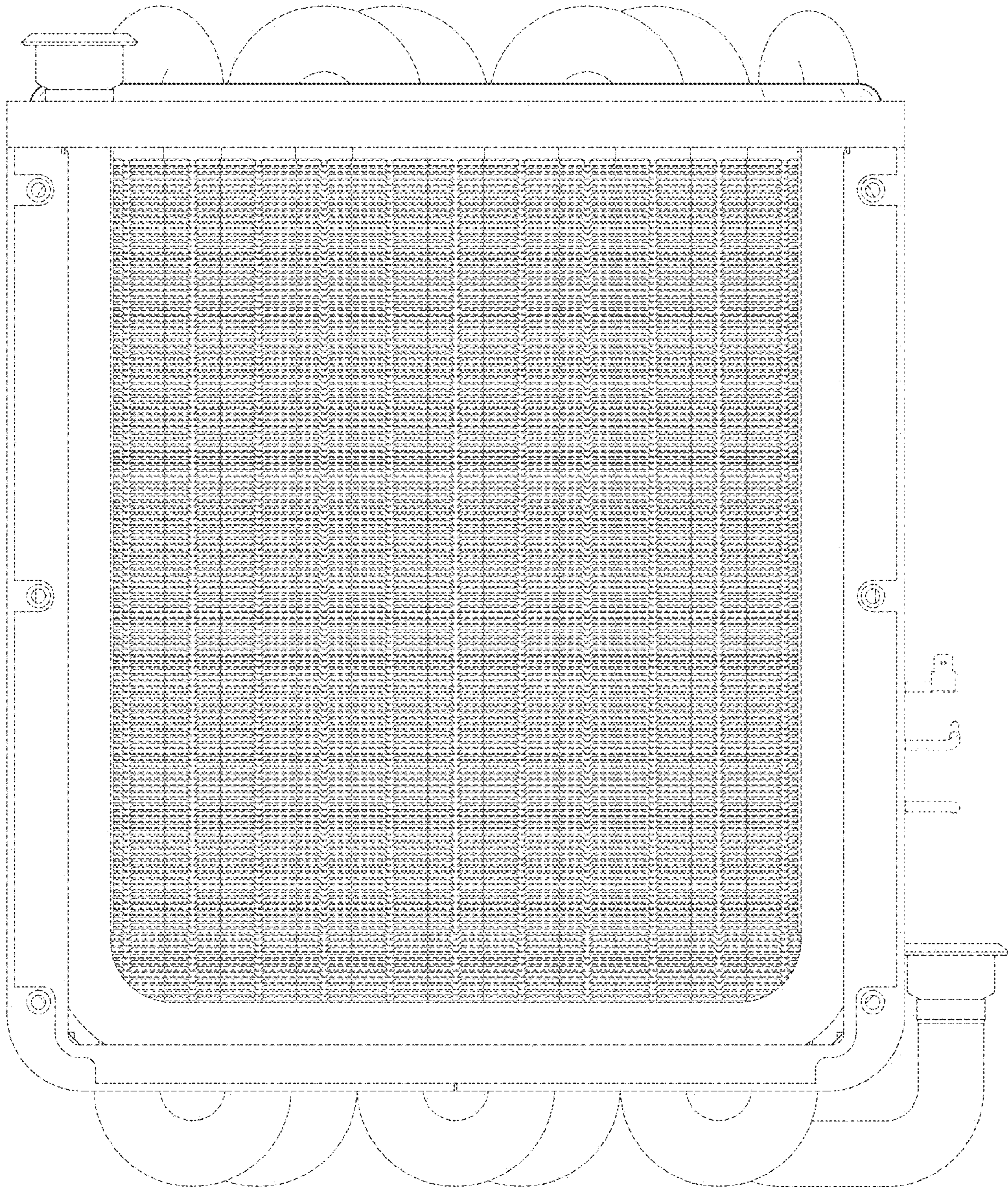
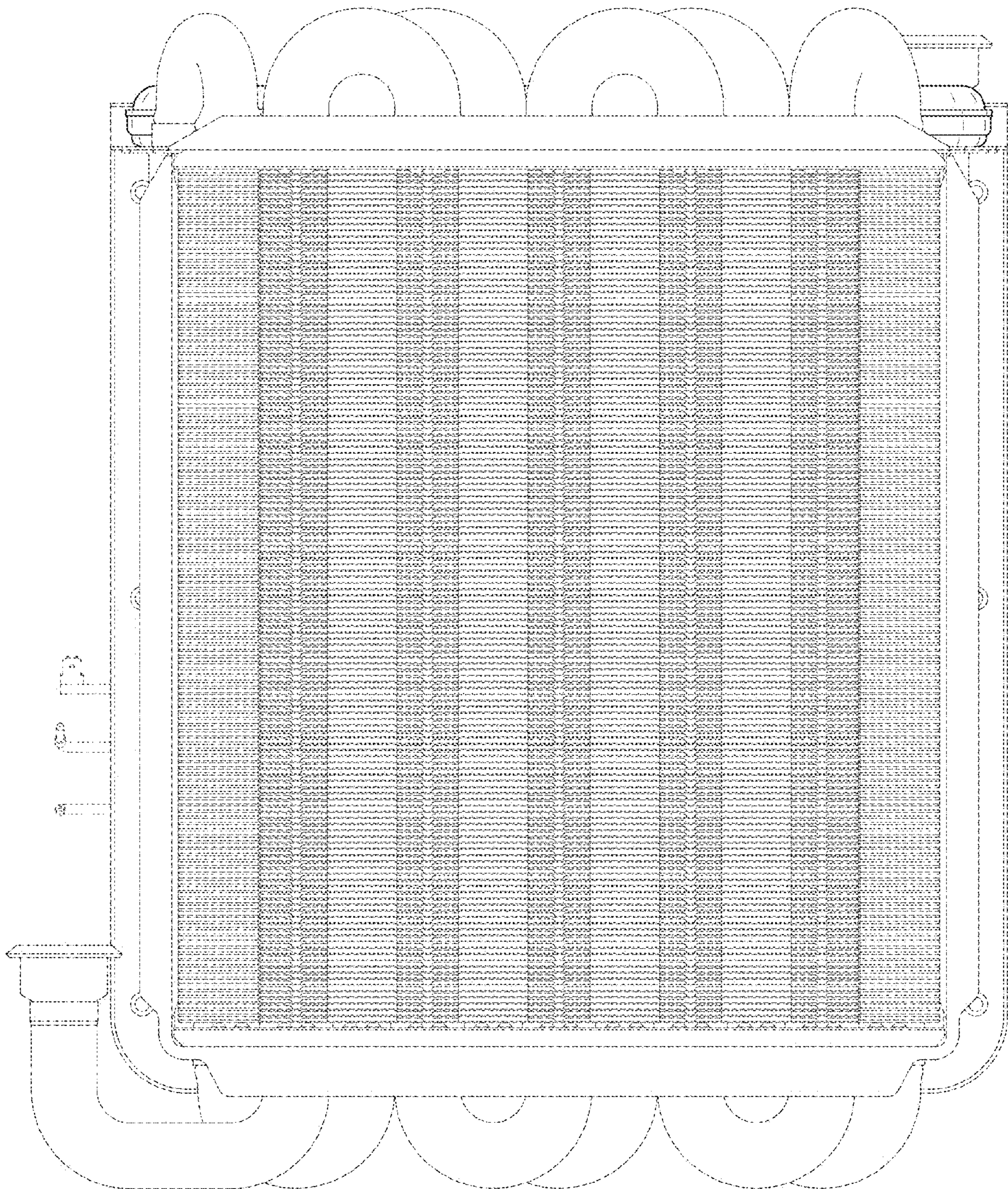


FIG. 5

FIG. 6



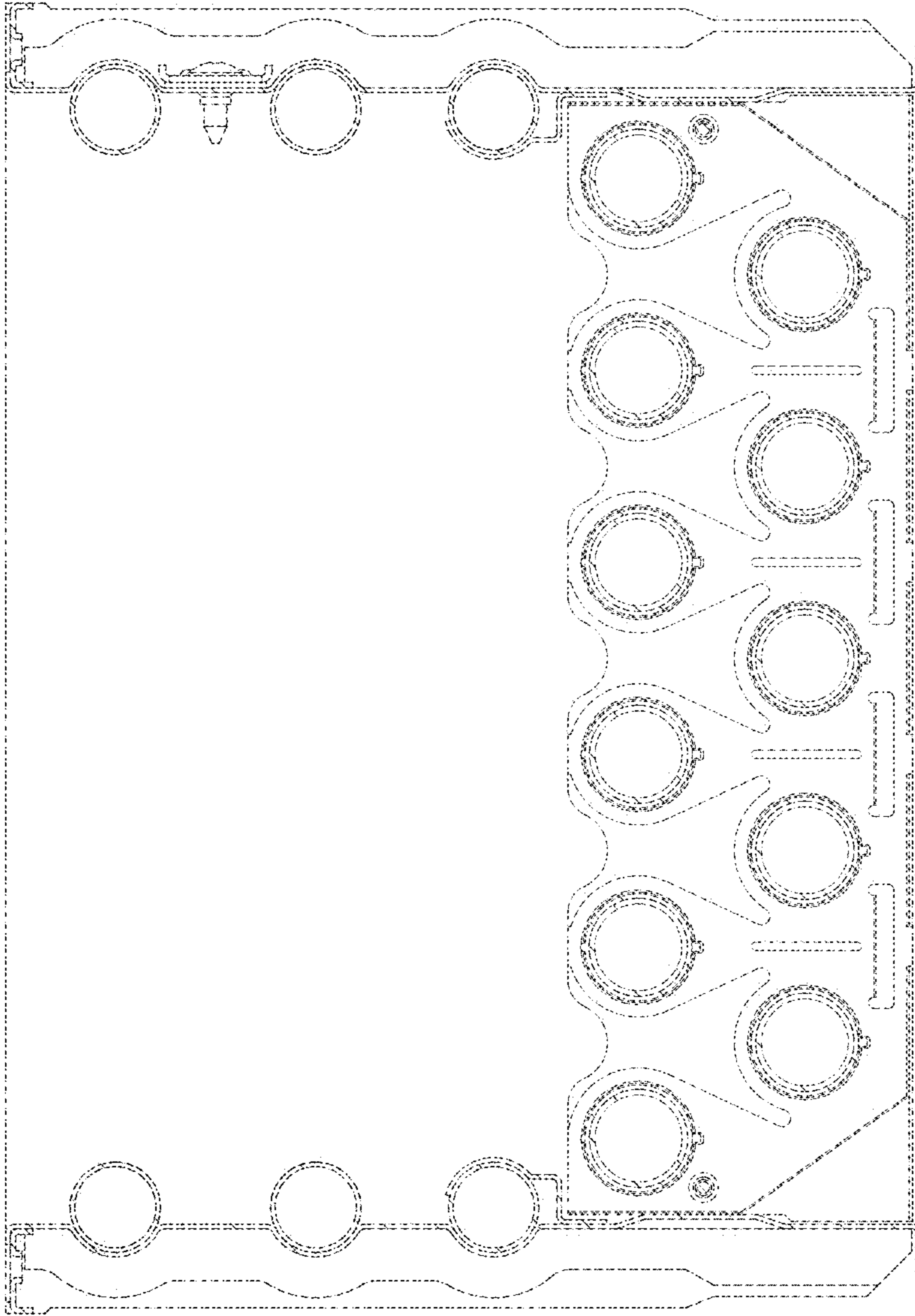


FIG. 7

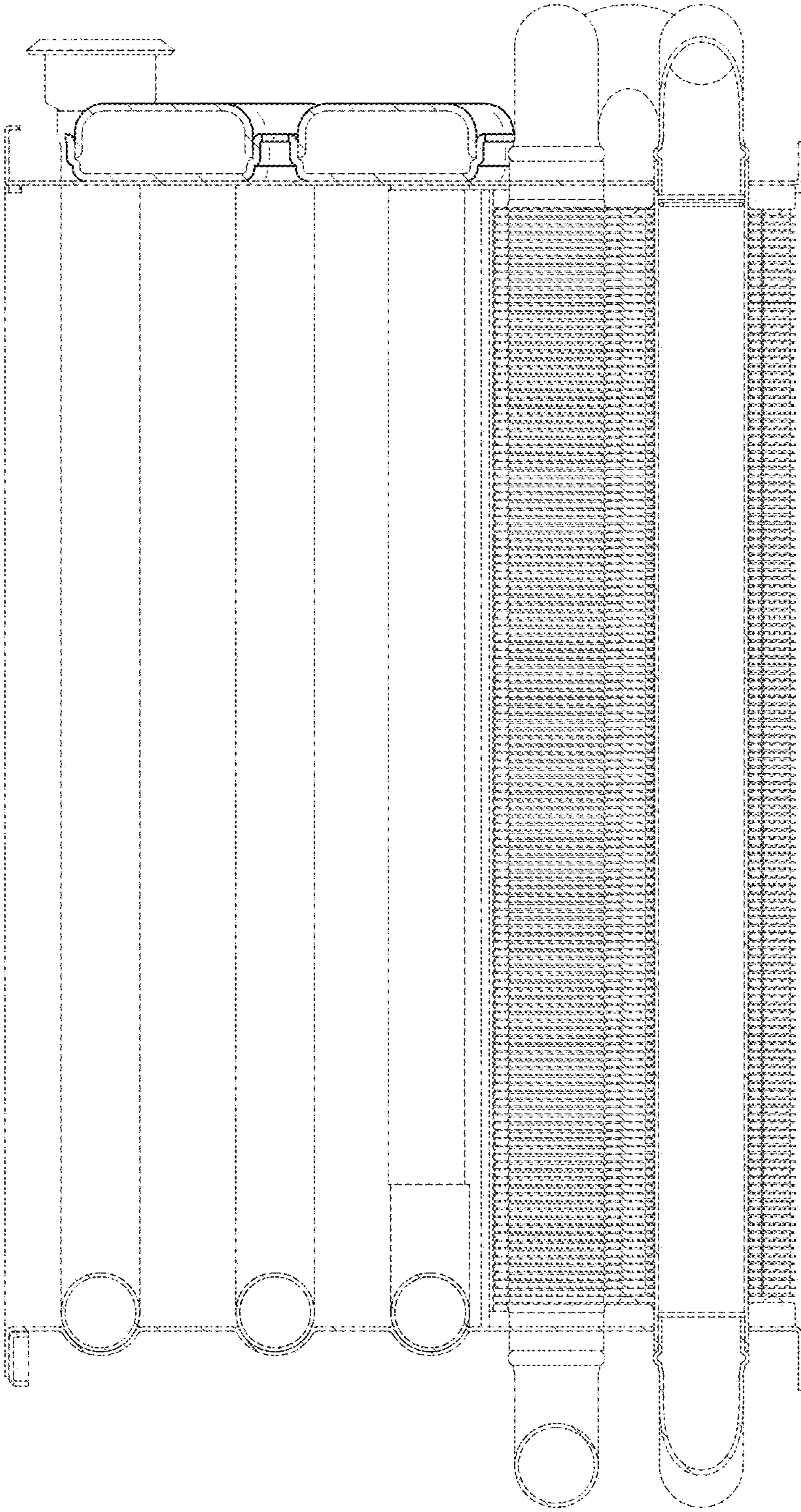


FIG. 8